



*Commercial, Industrial and Residential Electrical Products*





*Steel Boxes, Covers and Accessories*





## GENERAL INFORMATION

### STANDARDS, 2020 NATIONAL ELECTRICAL CODE®

#### Applications: Steel Boxes

RACO® high-quality steel boxes:

- Are used in branch circuit wiring
- Accommodate wiring devices, such as switches and receptacles
- Most may also serve as fixture supports
- Provide excellent protection for wiring system or devices
- Must be closed with a cover, light fixture canopy or wallplate
- Permit access to conductors for maintenance
- Allow for branch circuit runs
- Provide two-hour fire rating for 4x4 or smaller wall opening

#### Product Features: Outlet Boxes for Fixture or Fan Support

These high-quality boxes:

- Are listed to support lighting fixture canopies or fans
- Feature oversized #10 screws to provide strength and rigidity

#### Product Features: TKO® Knockouts

- TKO® knockouts offer greater flexibility with RACO® combination 1/2" and 3/4" knockout
- Stock just one product instead of two or three
- One product for the installer to carry

#### TKO Provides Reliable Grounding Path

- Independent tests conducted by UL prove that the TKO passes the same high-current fault test used to test grounding bushings and ground lugs
- RACO® TKO knockout is UL Listed, providing bonding without the use of bonding jumpers
- Suitable for bonding without any additional bonding means around concentric (or eccentric, TKO) knockouts where used in circuits above or below 250V
- This knockout does not impair the electrical connection to ground

#### Most RACO® Boxes Have At Least One Tapped #10-32 Grounding Hole

- The products that do not have a grounding screw hole are: plenum boxes catalog numbers 226 and 239

#### Product Features: Combination Screw Heads

- Cover and clamp screws have combination slotted/Phillips heads
- Self-tapping screws provide for 100% thread engagement

#### Metallic Boxes: Fire Resistance Rating Wall Penetrations\*

Listed single and double gang metallic outlet and switch boxes with metallic or nonmetallic cover plates, also metallic 4x4 and octagon boxes may be used in bearing and non-bearing wood stud and steel stud walls, and floor-ceiling and roof-ceiling assemblies with ratings not exceeding two hours.

The surface area of individual metallic outlet or switch boxes shall not exceed 16 square inches through a fire rated wall. The aggregate surface area of the boxes shall not exceed 100 square inches per 100 square feet. Boxes located on opposite sides of walls or partitions shall be separated by a horizontal distance of 24 inches.

The metallic outlet or switch boxes shall be securely fastened to the studs, and the opening in the wallboard facing shall be cut so that the clearance between the box and the wallboard does not exceed 1/8 inch.

\* Reference: Fire Resistance Ratings ANSI/UL 263, Sec. III-6.

#### Standard Materials: Steel Covers, Outlet and Standard Switch Boxes

- Steel boxes and covers are made of .0625 inch thick pre-galvanized sheet steel
- Handy Box covers are made of .030 inch thick galvanized sheet steel

#### Compliances

RACO® steel boxes and covers generally carry the following compliance ratings. Check specific catalog pages for individual compliances.

- UL Listed – Standard 514-A, file E195978 (“QCIT” Category)
- Boxes and covers are listed for their Electrical Applications (electrical codes), UL Electrical Construction Equipment Online Directory (electrical codes).
- Boxes are listed for Fire Resistance Directory, including the Two-Hour Fire Rating, (building codes) UL Orange Book
- UL Classified Standard – UL263 file R16536, CEYY, QBWY
- CSA Certified – C22.2 #18, CSA File LR-1082
- ANSI/NEMA OS1
- Federal Manufacturer’s number 28488



For installation guidelines and to learn more about RACO® products, visit the NEMA website at <http://www.nema.org>.

The National Electrical Manufacturers Association (NEMA) website is a valuable electrical resource providing the information you need - quickly.

#### Wiring Capacity: Steel Outlet and Switch Boxes; Cubic Inches

#### Maximum Number of Conductors or Minimum Size Box Required – National Electrical Code Article 314.16 (A and B) also table 314.16(A)

The purpose of NEC® Article 314.16 is to determine the maximum conductor count or the minimum box size required for an application. It also may be used to determine how many other conductors may be added without exceeding the Code-prescribed limit.

### STANDARDS, 2020 NATIONAL ELECTRICAL CODE®

Most applications have determined the number of conductors. The question that then remains is the smallest (minimum) size box that is permitted. The rules of Article 314.16 are to be used to determine the Code-recognized limit.

Selection of an outlet or junction box for use in an electrical circuit work must take into consideration the maximum number of wires permitted in the box. Safe electrical practice demands that wires not be jammed into boxes because of the possibility of nicks, abrasions or other damage to the insulating material, creating the potential for ground faults or short circuits.

#### Article 314 – Boxes and Fittings

##### **NEC® 314.16 (A and B) also table 314.16(A). Number of Conductors in Outlet, Device, and Junction Boxes, and Conduit Bodies.**

Boxes shall be of sufficient size to provide free space for all enclosed conductors. In no case shall the volume of the box, as calculated in (a) below, be less than the fill calculation as calculated in (b) below. The minimum volume for conduit bodies shall be as calculated in (c) below.

The provisions of this section shall not apply to terminal housings supplied with motors. See Section 430.12.

Boxes and conduit bodies enclosing conductors, size #4 or larger, shall also comply with the provisions of Section 314-28.

**(a) Box Volume Calculations.** The volume of a wiring enclosure (box) shall be the total volume of the assembled sections, and, where used, the space provided by plaster rings, domed covers, extension rings, etc., that are marked

with their volume in cubic inches or are made from boxes the dimensions of which are listed in Table 314.16(A).

**(1) Standard Boxes.** The volume of standard boxes that are not marked with a cubic inch capacity shall be as given in \*Table 314.16(A).

**(2) Other Boxes.** Boxes 100 cubic inches (1,640 cu. cm3.) or less, other than those described in table, and nonmetallic boxes shall be durably and legibly marked by the manufacturer with their cubic inch capacity. Boxes described in table that have a larger cubic inch capacity than is designated in the table shall be permitted to have their cubic inch capacity marked as required by this section.

**(b) Box Fill Calculations.** The volumes in paragraphs (1) through (5) below, as applicable, shall be added together. No allowance shall be required for small fittings such as locknuts and bushings.

**(1) Conductor Fill.** Each conductor that originates outside the box and terminates or is spliced within the box shall be counted once, and each conductor that passes through the box without splice or termination shall be counted once. The conductor fill, in cubic inches, shall be computed using Table 314.16(B)(1). A conductor, no part of which leaves the box, shall not be counted.

*Exception: Where an equipment grounding conductor or not over four fixture wires smaller than #14, or both, enter a box, from a domed fixture or similar canopy and terminate within that box, it shall be permitted to omit these conductors from the calculations.*

**(2) Clamp Fill.** Where one or more internal cable clamps, whether factory or field supplied, are present in the box, a single volume allowance in accordance with NEC® 314.16(B)(2) shall be made based on the largest conductor present in the box. No allowance shall be required for a cable connector with this clamping mechanism outside the box.

**(3) Support Fittings Fill.** Where one or more fixture studs or hickey are present in the box, a single volume allowance in accordance with NEC® 314.16(B)(3) shall be made for each type of fitting based on the largest conductor present in the box.

**(4) Device or Equipment Fill.** For each yoke or strap containing one or more devices or equipment, a double volume allowance in accordance with NEC® 314.16(B)(4) shall be made for each yoke or strap based on the largest conductor connected to a device(s) or equipment supported by that yoke or strap.

**(5) Equipment Grounding Conductor Fill.** Where one or more equipment grounding conductor(s) enter(s) a box, a single volume allowance in accordance with Table 314.16B shall be made based on the largest equipment grounding conductor present in the box. Where an additional set of equipment grounding conductors, as permitted by NEC® 314.16(B)(5) are present in the box, an additional volume allowance shall be made based on the largest equipment grounding conductor in the additional set.



## GENERAL INFORMATION

### STANDARDS, 2020 NATIONAL ELECTRICAL CODE®

MOST OFTEN REQUESTED SECTIONS OF THE NATIONAL ELECTRICAL CODE®	HOW RACO® PRODUCTS HELP COMPLETE THE INSTALLATION
<p><b>250.97 Method of Bonding Service Equipment — Bonding Jumpers.</b> Bonding jumpers are <u>not</u> required for concentric and eccentric knockouts <u>if</u> they are listed.</p>	<p>This Section is used to ensure that there is ground continuity when a concentric or eccentric knockout incorporated in a box. A bonding jumper is not required when using any of the RACO® patented TKO knockout boxes.</p>
<p><b>314.27 (A) Boxes at Lighting Fixture Outlets.</b> Boxes to support light fixtures must be listed for fixture support.</p>	<p>Device boxes use #6-32 screws to secure devices such as snap-switches and receptacles. They are not suitable for support of other than very lightweight lighting fixtures, such as some wall-bracket types.</p>
<p><b>314.27 (B) Floor Boxes.</b> Boxes listed specifically for this application shall be used for receptacles located in the floor. Exception: Boxes located in elevated floors of show windows and similar locations where the authority having jurisdiction judges them free from physical damage, moisture and dirt.</p>	<p>Only boxes that are UL Listed for the application may be fastened into the floor. RACO® floor boxes are in Section A of this catalog.</p>
<p><b>314.27 (C) Boxes at Fan Outlets.</b> Boxes at Ceiling-Suspended (Paddle) Fan Outlets. Outlet boxes or outlet box systems used as the sole support of a ceiling suspended (paddle) fan shall be listed, shall be marked by their manufacturer as suitable for this purpose, and shall not support ceiling-suspended (paddle) fans that weigh more than 32kg (70lb).</p>	<p>For any ceiling outlet that is intended to have a ceiling (paddle) fan installed, a UL Listed outlet box rated for ceiling fan support must be installed. RACO® offers a complete line of products designed for various applications and mounting needs.</p>
<p><b>314.16 (A)(3) Space for Conductors.</b> Canopies and outlet boxes taken together shall provide adequate space so that fixture conductors and their connecting devices can be properly installed.</p>	<p>When calculating the minimum cubic inch requirements for an outlet box, the canopy may be included in the calculation at the discretion of the Authority Having Jurisdiction. If the canopy of the fixture/fan is marked with the cubic inch capacity, then the additional volume must be accepted by the Authority Having Jurisdiction.</p>
<p><b>314.27 (B) Maximum Luminaire Weight.</b> Fixtures greater than 50 pounds cannot be supported by a fixture box unless additional independent support is provided.</p>	<p>All outlet boxes that are intended to be used with fixtures are tested in accordance with UL Standard 514A.</p>
<p><b>250.146 (A) Surface-Mounted Box.</b> Where the box is mounted on the surface, direct metal-to-metal contact between the device yoke and the box or a contact yoke or device that complies with 250.146(B) shall be permitted to ground the receptacle to the box.</p>	<p>This new method provides better bonding for the cover. RACO flat corner covers and mud rings comply.</p>

STANDARDS, 2020 NATIONAL ELECTRICAL CODES®

<b>MOST OFTEN REQUESTED ARTICLES OF THE 2020 NATIONAL ELECTRICAL CODE®</b>	<b>HOW RACO® PRODUCTS HELP COMPLETE THE INSTALLATION</b>
<p><b>800.133 Exception (A)(1)(d) Installation of Communications Wires, Cables and Equipment – Electric Light or Power Circuits.</b>                      Communications conductors shall not be placed in any raceway, compartment, outlet box, junction box, or similar fitting with conductors or electric light or power circuits or Class 1 circuits.</p>	<p>When power and voice/data are brought to one enclosure, a means of dividing the wiring is required. Voltage barriers are available on the following box types: 4" and 4-11/16" square boxes, three- and four-gang switch boxes, masonry boxes, and gang boxes.</p>
<p><b>406.12, Tamper-resistant Receptacles.</b>                      In all areas specified in 406.12(1) through 406.12(8), all 125 volt, 15 and 20 amp receptacles shall be listed tamper-resistant receptacles.</p>	<p>This is to prevent shocks of small children that like to insert keys, paper clips, etc. into the receptacle slots.</p>
<p><b>314.24 (B) Depth of Boxes.</b> Minimum depth of boxes for outlets, devices, and utilization equipment.</p>	<p>Boxes must be a minimum depth depending on their use and/or are required to have a minimum clearance behind the device or equipment of per 314.24 (B).</p>



## BOX SELECTION

### CALCULATE THE MINIMUM SIZE BOX

NEC® 314.16 (A) and (B) describes the detailed way of counting wires, as well as clamps, fittings or devices (i.e., switches, receptacles, combination devices) – by establishing an equivalent conductor value for each. Those values are added together to get a total number of conductors. The minimum size box is the smallest one in Table 314.16(A) that can accommodate that number of conductors.

1. No matter how many ground wires come into a box, they only count as one conductor within the box.
2. Any wire 12 inches or less in length running unbroken through the box counts as one wire.
3. Each wire coming into a splice device (crimp or twist-on type) is counted as one wire.
4. Each wire coming into the box and connecting to a device counts as one wire of that size.

5. Fixture studs, cable clamps and hickey are to be counted as one for each type of fitting. If a box contains two cable clamps, the total is only to be increased by one.
6. Where devices are mounted in the box, the total conductor count must be increased by two for each mounting strap.

**Example #1: – Conduit Boxes:** Supply power to a switch that will control a remote light with #14 conductors. Metal conduit and fittings will be used as the wire way. You must provide space for four conductors and one switch, totaling 6. Read across the line “Allowances” in the **Box Fill** table to column 6, then read down to the minimum cubic inches required for #14 conductor. This example requires a minimum of 12.0 cubic inches.

**Example #2: – Cable Boxes:**

This example will illustrate how the minimum size is determined for a box with cable clamps fed by two #12-2 nonmetallic sheathed cables and supplying a 15A duplex receptacle. After supplying the receptacle, the conductors are extended to other outlets.

Circuit conductors.....	4
Ground conductors .....	1
Cable clamps .....	1
Device (receptacle).....	2
<b>Total.....</b>	<b>8</b>

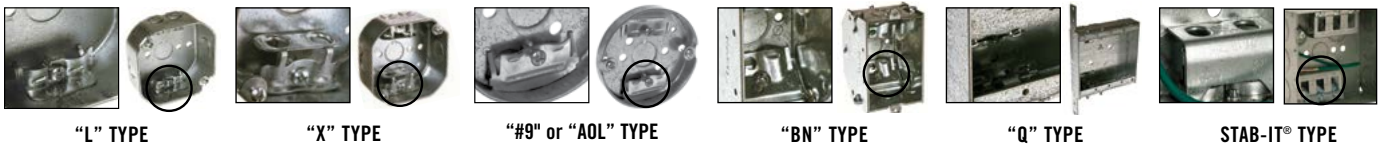
Using the **Box Fill** table from the next page, read across the line “Allowances” to column 8, then down to the minimum cubic inches required for #12 conductor. This example requires a minimum of 18.0 cubic inches.

### STEEL BOX SELECTION CHART

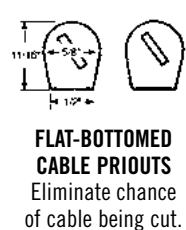
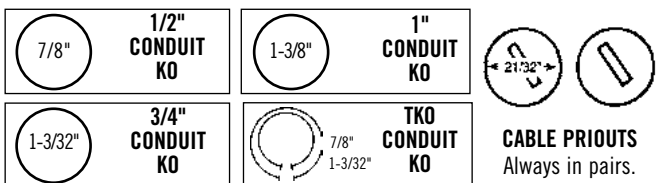
CUBIC INCHES:	42.0	30.3	29.5	21.5	21.0	18.0
<b>CONDUIT STEEL BOXES</b>	4-11/16" Sq. 2-1/8" Deep (inside)	4" Sq. 2-1/8" (Depth Inside)	4-11/16" Sq. 1-1/2" (Depth Inside)	4" Oct. 2-1/8" (Depth Inside)	4" Sq. 1-1/2" (Depth Inside)	Switch 3-1/2" (Depth Inside)

CUBIC INCHES:	30.3	42.0	21.5	21.0	18.0
<b>MC/BX &amp; NONMETALLIC CABLE STEEL BOXES</b>	4" Sq. 2-1/8" (Depth Inside)	4-11/16" Sq. 2-1/8" (Depth Inside)	4" Oct. 2-1/8" (Depth Inside)	4" Sq. 1-1/2" (Depth Inside)	Switch 3-1/2" (Depth Outside)

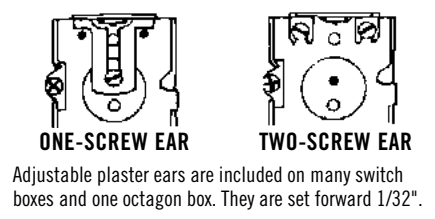
### CLAMP TYPES



### KNOCKOUTS AND PRIOUTS



### PLASTER EARS



### BOX FILL

Conductor Size (AWG)	Volume Per Conductor		ALLOWANCES								
	cm <sup>3</sup>	in. <sup>3</sup>	6	7	8	9	10	11	12	13	14
#18	24.6	1.50	9.00	10.50	12.00	13.50	15.00	16.50	18.00	19.50	21.00
#16	28.7	1.75	10.50	12.25	14.00	15.75	17.50	19.25	21.00	22.75	24.50
#14	32.8	2.00	12.00	14.00	16.00	18.00	20.00	22.00	24.00	26.00	28.00
#12	36.9	2.25	13.50	15.75	18.00	20.25	22.50	24.75	27.00	29.25	31.50
#10	41.0	2.50	15.00	17.50	20.00	22.50	25.00	27.50	30.00	32.50	35.00
#8	49.2	3.00	18.00	21.00	24.00	27.00	30.00	33.00	36.00	39.00	42.00
#6	81.9	5.00	30.00	35.00	40.00	45.00	50.00	55.00	60.00	65.00	70.00

16.5

**Handy**

2-1/8" (Depth Inside)

15.5

**4" Oct.**

1-1/2" (Depth Inside)

14.0

**Switch**

2-3/4" (Depth Outside)

13.0

**Handy**

1-7/8" (Depth Outside)

12.5

**Switch**

2-1/2" (Depth Outside)

3.8

**3-1/2" Rnd. Pan**

1/2" (Depth Inside)

6.0

**4" Rnd. Pan**

1/2" (Depth Inside)



15.8

**Switch**

2-9/64" (Depth Outside)

15.5

**4" Oct.**

1-1/2" (Depth Inside)

14.0

**Switch**

2-3/4" (Depth Outside)

12.5

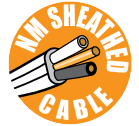
**Switch**

2-1/2" (Depth Outside)

4.0

**3-1/2" Pan**

1/2" (Depth Inside)



### CLAMP TECHNICAL DATA

CLAMP TYPE	RACEWAY TYPE					
	ARMORED CABLE (BX)		METAL CLAD CABLE INTERLOCKING (MCI)		NONMETALLIC SHEATHED CABLE	FLEXIBLE METAL CONDUIT
	STEEL	ALUMINUM	STEEL	ALUMINUM		
"L" TYPE	—	—	—	—	#14-2 to #10-3 w/ground	—
"X" TYPE	#14-2 (.444 in outer diam.) to largest size to fit in clamp	#14-2 (.444 in outer diam.) to largest size to fit in clamp	.425 TO .600 outer diam.	.400 to .495 outer diam.	—	3/8" trade size
"#9" OR "AOL" TYPE	—	—	—	—	#14-2 w/ground	—
"Q" TYPE	—	—	—	—	#14-2 to #10-3 w/ground	—
"BN" TYPE	—	—	—	—	#14-2 w/ground or #12-2 w/ground	—
STAB-IT TYPE	.400 to .605 outer diam.	.400 to .605 outer diam.	.400 to .605 outer diam.	.400 to .605 outer diam.	—	3/8" trade size



## BOX SELECTION

BRACKET TECHNICAL DATA												
BRACKET TYPE	"A"	"B"	"D"	"FH"	"FM"	"FS"	"J"	"LB"	"MS"	"TS"	"W"	"H" or "M"
LENGTH (In.)	6-7/16"	1-61/64"	6-1/4"	6-61/64"	7-5/8"	6-61/64"	2-3/8"	1-31/32"	4-1/2"	7"	6-25/32"	3-1/8"
WIDTH	5/8"	2"	21/32"	1-9/16"	1-9/16"	1-9/16"	2-23/32"	3-3/64"	1-1/2"	1-1/16"	1-1/16"	7/8"
OFFSET				3/8"	3/8"	3/8"	1/4"			17/64"	1-5/16"	3/8"
FOR METAL	✓		✓		✓	✓			✓	✓	✓	✓
FOR WOOD	✓	✓	✓	✓	✓	✓	✓	✓		✓	✓	✓



**"A" Bracket**  
Positions handy box against face and side of stud.

**"FH" Bracket**  
Side-mount bracket with hooks that drive into face of stud.



**"D" Bracket**  
Mounts on flat side of stud.



**BOX-LOC® "MS" Bracket**  
Positions box on either side of stud. BOX-LOC® (MS) Bracket Box is a snap to install. Place the bracket on the open side of the stud first. Slots in the bracket engage the lip of the stud and actually crimp it as you press the bracket on the stud. Barbed hooks dig into the flat side of the stud, quickly locking it into place.



**"J" Bracket**  
Spurs, slotted holes for toe-nailing. Gauging notches at 3/8" and 1/2".

**"UBS" Support**  
Universal Back Side support to provide bracing on back of box for wall cavities 2-1/2" - 6" thick.



**"W" Bracket**  
Positions box away from side of stud to clear the trim molding of a door frame.



**"B" Bracket**  
Face mounts on front edge of wood stud. Use when space between studs is limited.

**"FM" Bracket**  
Mounts on flat side of stud.



**"LB" Bracket**  
Face mounts on front edge of wood stud. Use when space between studs is limited. 5/8" offset to clear narrow door molding.



**"TS" Bracket**  
Side-mount bracket for octagon, square, switch and handy boxes. Gauging tabs and recessed nailing spurs.

**"M" Bracket**  
Brackets on both/opposite sides of box



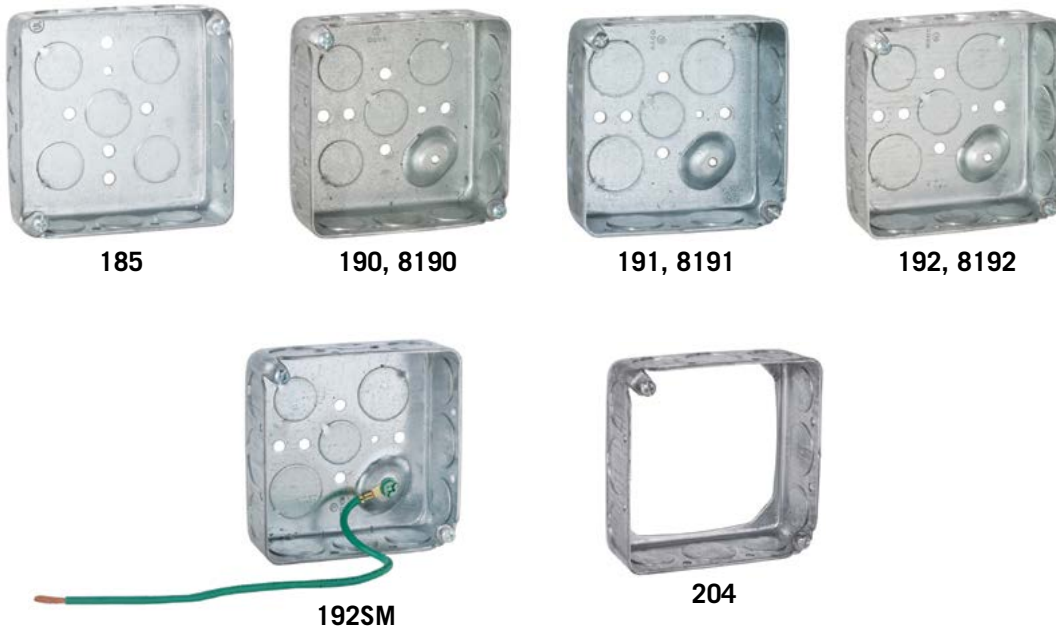
**"H" Bracket**  
Narrow bracket allows side-by-side mounting on stud. Positioning tabs locate box perfect distance from stud. V notch centers box. Dimples protect flush drywall installation.



**"FS" Bracket**  
Mounts on flat side of stud. Gauging tabs and recessed nailing spurs.



### 4" SQUARE BOXES – DRAWN WITH CONDUIT KO'S



CAT. #	DESCRIPTION	CUBIC INCHES (CM <sup>3</sup> )	KNOCKOUTS		STD. PKG.	BAR CODE
			SIDES CONDUIT	BOTTOM CONDUIT		
<b>4" Square Box, 1-1/4" Deep – Drawn with Conduit KO's</b>						
185	—	18.0 (295.0)	(10) 1/2"	(5) 1/2"	50	IIIIIIII
<b>4" Square Box, 1-1/2" Deep – Drawn with Conduit KO's</b>						
190	Raised Ground	21.0 (344.1)	(12) 1/2"	(4) 1/2"	50	—
8190	Raised Ground	21.0 (344.1)	(12) 1/2"	(4) 1/2"	50	IIIIIIII
191	Raised Ground	21.0 (344.1)	(8) 3/4"	(1) 1/2", (3) 3/4"	50	—
8191	Raised Ground	21.0 (344.1)	(8) 3/4"	(1) 1/2", (3) 3/4"	25	IIIIIIII
192	Raised Ground	21.0 (344.1)	(8) 1/2", (4) 3/4"	(2) 1/2", (2) 3/4"	50	—
8192	Raised Ground	21.0 (344.1)	(8) 1/2", (4) 3/4"	(2) 1/2", (2) 3/4"	50	IIIIIIII
192SM	Raised Ground, 10" #12 Stranded Copper Pigtail	21.0 (344.1)	(8) 1/2", (4) 3/4"	(2) 1/2", (2) 3/4"	50	IIIIIIII
<b>4" Square Thru-the-Wall Box, 1-1/2" Deep – Drawn with Conduit KO's</b>						
204	—	22.5 (368.7)	(8) 1/2", (4) 3/4"	—	50	—

#### APPLICATIONS

- RACO® Boxes are installed in walls or ceilings for lighting fixtures, switches or receptacles
- Square boxes are used where multiple conductor runs are split into two or more directions to bring power to a number of electrical devices
- Drawn boxes are ideal for exposed work applications

#### PRODUCT FEATURES

- Combination screw heads provide for faster installation
- Thru-the-wall box is designed for shallow wall applications and allows for attachment of wall plate to both faces of box

#### COMPLIANCE

- LISTED
- All RACO UL listed steel boxes are acceptable for use in 2 hr. fire rated floor-ceiling and roof-ceiling assemblies, as well as 2 hr. fire rated bearing and non-bearing wood stud and steel stud walls. For additional information consult Fire Resistance Ratings ANSI/UL 263, Sec. III-6

SEE END OF SECTION (PG A78) FOR DETAILED DRAWINGS >>





## SQUARE BOXES AND COVERS

### 4" SQUARE BOXES – WELDED WITH CONDUIT KO'S



181



189, 8189



189RAC



189SM



911-9

#### APPLICATIONS

- RACO® Boxes are installed in walls or ceilings for lighting fixtures, switches or receptacles
- Square boxes are used where multiple conductor runs are split into two or more directions to bring power to a number of electrical devices

#### PRODUCT FEATURES

- Combination screw heads provide for faster installation
- TKO® Knockouts allow for design and installation flexibility.
- Red boxes, covers and extensions for dedicated life safety alarm circuits

#### COMPLIANCE

- LISTED
- All RACO UL listed steel boxes are acceptable for use in 2 hr. fire rated floor-ceiling and roof-ceiling assemblies, as well as 2 hr. fire rated bearing and non-bearing wood stud and steel stud walls. For additional information consult Fire Resistance Ratings ANSI/UL 263, Sec. III-6
- **600V** Per U.L. 514-A, suitable for use without a bonding jumper in circuits up to 600 volts

CAT. #	DESCRIPTION	CUBIC INCHES (CM <sup>3</sup> )	KNOCKOUTS		STD. PKG.	BAR CODE
			SIDES CONDUIT	BOTTOM CONDUIT		
<b>4" Square Box, 1-1/2" Deep – Welded with Conduit KO's</b>						
181	—	21.0 (344.1)	(8) 3/4"	(1) 1/2" (4) 3/4"	50	—
189	<b>600V</b> , Raised Ground	21.0 (344.1)	(8) 1/2" (4) TKO	(2) 1/2" (2) TKO	50	—
8189	<b>600V</b> , Raised Ground	21.0 (344.1)	(8) 1/2" (4) TKO	(2) 1/2" (2) TKO	50	
189RAC	<b>600V</b>	21.0 (344.1)	(8) 1/2" (4) TKO	(2) 1/2" (2) TKO	50	—
189SM	<b>600V</b> , Raised Ground, 10" #12 Stranded Copper Pigtail	21.0 (344.1)	(8) 1/2" (4) TKO	(2) 1/2" (2) TKO	50	
911-9	<b>600V</b> , Raised Ground, <b>Painted Red</b>	21.0 (344.1)	(8) 1/2" (4) TKO	(2) 1/2" (2) TKO	50	—

SEE END OF SECTION (PG A78) FOR DETAILED DRAWINGS >>



### 4" SQUARE BRACKETED BOXES – WELDED WITH CONDUIT KO'S



196, 8196



8197



199



208, 8208



193, 8193



189F



189H, 189HS



189HWP



189M



227 BOX-LOC®

CAT. #	DESCRIPTION	CUBIC INCHES (CM <sup>3</sup> )	KNOCKOUTS		STD. PKG.	BAR CODE
			SIDES CONDUIT	BOTTOM CONDUIT		
<b>4" Square Bracketed Boxes, 1-1/2" Deep – Welded with Conduit KO's</b>						
196	600V, FS, Flush	21.0 (344.1)	(6) 1/2" (3) TKO	(3) 1/2" (2) TKO	25	—
8196	600V, FS, Flush	21.0 (344.1)	(6) 1/2" (3) TKO	(3) 1/2" (2) TKO	25	
8197	600V, FH, Flush	21.0 (344.1)	(6) 1/2" (3) TKO	(3) 1/2" (2) TKO	25	
199	600V, FS, Flush	21.0 (344.1)	(6) 3/4"	(1) 1/2" (4) 3/4"	25	—
208	W, Flush	21.0 (344.1)	(6) 1/2" (3) TKO	(3) 1/2" (2) TKO	25	—
8208	600V, W, Flush	21.0 (344.1)	(6) 1/2" (3) TKO	(3) 1/2" (2) TKO	25	
193	600V, B, Flush	21.0 (344.1)	(6) 1/2" (3) TKO	(3) 1/2" (2) TKO	25	—
8193	600V, B, Flush	21.0 (344.1)	(6) 1/2" (3) TKO	(3) 1/2" (2) TKO	10	
189F	600V, Raised Ground, 8" #12 Solid Copper Pigtail, UBS Farside Support	21.0 (344.1)	(8) 1/2" (4) TKO	(2) 1/2" (2) TKO	50	—
189H	600V, Raised Ground, 8" #12 Solid Copper Pigtail, UBS, HM	21.0 (344.1)	(6) 1/2" (3) TKO	(2) 1/2" (2) TKO	20	—
189HS	Raised Ground, 10" #12 Stranded Copper Pigtail, UBS, HM	21.0 (344.1)	(6) 1/2" (3) TKO	(2) 1/2" (2) TKO	20	—
189HWP	600V, Raised Ground, UBS, HM	21.0 (344.1)	(6) 1/2" (3) TKO	(2) 1/2" (2) TKO	20	—
189M	600V, Raised Ground, 8" #12 Solid Copper Pigtail, UBS, HM	21.0 (344.1)	(4) 1/2" (2) TKO	(2) 1/2" (2) TKO	20	—
227	600V, MS, Flush, BOX-LOC®, Provided with Far-side support (part #978)	21.0 (344.1)	(6) 1/2" (3) TKO	(3) 1/2" (2) TKO	25	

### APPLICATIONS

- RACO® Boxes are installed in walls or ceilings for lighting fixtures, switches or receptacles
- Square boxes are used where multiple conductor runs are split into two or more directions to bring power to a number of electrical devices

### PRODUCT FEATURES

- Reference the Box Selection section in the front of this catalog for complete description of bracket types and features
- BOX-LOC® (MS) Bracket Box is a snap to install. Place the bracket on the open side of the stud first. Slots in the bracket engage the lip of the stud and actually crimp it as you press the bracket on the stud, quickly locking it in place
- TKO® Knockouts allow for design and installation flexibility
- UBS Support - Welded to box, preset bend points to work with wall thickness 2-1/2" to 6"

### COMPLIANCE

- LISTED
- All RACO UL listed steel boxes are acceptable for use in 2 hr. fire rated floor-ceiling and roof-ceiling assemblies, as well as 2 hr. fire rated bearing and non-bearing wood stud and steel stud walls. For additional information consult Fire Resistance Ratings ANSI/UL 263, Sec. III-6
- 600V Per U.L. 514-A, suitable for use without a bonding jumper in circuits up to 600 volts

SEE END OF SECTION (PG A78) FOR DETAILED DRAWINGS >>



## SQUARE BOXES AND COVERS

### 4" SQUARE EXTENSION RINGS



201, 8201



202



203, 8203



911-6



187



207

#### APPLICATIONS

- RACO® Extension rings provide a means for adding cubic capacity or as an outlet box for surface conduit

#### PRODUCT FEATURES

- Combination screw heads provide for faster installation
- Red boxes, covers and extensions for dedicated life safety alarm circuits
- RACO® 187 can be positioned to accommodate one or two switch boxes

#### COMPLIANCE

- LISTED

CAT. #	DESCRIPTION	CUBIC INCHES (CM <sup>3</sup> )	KNOCKOUTS		STD. PKG.	BAR CODE
			SIDES CONDUIT	BOTTOM CONDUIT		
<b>4" Square Extension Rings, 1-1/2" Deep – Drawn with Conduit KO's</b>						
201	—	22.5 (368.7)	(12) 1/2"	—	50	—
8201	—	22.5 (368.7)	(12) 1/2"	—	25	
202	—	22.5 (368.7)	(8) 3/4"	—	50	—
203	—	22.5 (368.7)	(8) 1/2", (4) 3/4"	—	50	—
8203	—	22.5 (368.7)	(8) 1/2", (4) 3/4"	—	20	
911-6	Painted Red	22.5 (368.7)	(8) 1/2", (4) 3/4"	—	50	—
187	Attaches to Switch Boxes	22.5 (368.7)	(8) 1/2", (4) 3/4"	—	25	
<b>4" Square Extension Rings, 2-1/8" Deep – Welded with Conduit KO's</b>						
207	—	30.3 (496.5)	(6) 1/2", (6) 3/4"	—	25	—

SEE END OF SECTION (PG A78) FOR DETAILED DRAWINGS >>





### 4" SQUARE BOXES – WELDED WITH CONDUIT KO'S



232, 8232



232RAC



231, 8231



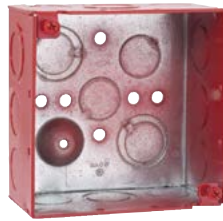
233, 8233



232SLD



232SM



911-3



232CS



232-OW

CAT. #	DESCRIPTION	CUBIC INCHES (CM <sup>3</sup> )	KNOCKOUTS		STD. PKG.	BAR CODE
			SIDES CONDUIT	BOTTOM CONDUIT		
<b>4" Square Box, 2-1/8" Deep – Welded with Conduit KO's</b>						
232	600V, Raised Ground	30.3 (496.5)	(8) 1/2", (4) TKO	(2) 1/2", (2) TKO	25	—
8232	600V, Raised Ground	30.3 (496.5)	(8) 1/2", (4) TKO	(2) 1/2", (2) TKO	25	
232RAC	600V	30.3 (496.5)	(8) 1/2", (4) TKO	(3) 1/2", (2) TKO	25	—
231	600V, Raised Ground	30.3 (496.5)	(8) 3/4"	(1) 1/2", (4) 3/4"	25	—
8231	600V, Raised Ground	30.3 (496.5)	(8) 3/4"	(1) 1/2", (4) 3/4"	25	
233	600V, Raised Ground	30.3 (496.5)	(8) 1"	(3) 1/2", (2) 3/4"	25	—
8233	600V, Raised Ground	30.3 (496.5)	(8) 1"	(3) 1/2", (2) 3/4"	25	
232SLD	600V, Raised Ground 8" #12 Solid Copper Pigtail	30.3 (496.5)	(8) 1/2", (4) TKO	(2) 1/2", (2) TKO	25	—
232SM	600V, Raised Ground, 10" #12 Stranded Copper Pigtail	30.3 (496.5)	(8) 1/2", (4) TKO	(2) 1/2", (2) TKO	25	
911-3	600V, Painted Red	30.3 (496.5)	(8) 1/2", (4) TKO	(2) 1/2", (2) TKO	25	
232CS	600V, Raised Ground, Elevated Side Knockouts	30.3 (496.5)	(8) 1/2", (4) TKO	(2) 1/2", (2) TKO	25	—
232-OW	600V, Raised Ground, Old Work RETRO-RING, Accepts Box Mounting of One or Two Devices	30.3 (496.5)	(8) 1/2", (4) TKO	(2) 1/2", (2) TKO	25	

#### APPLICATIONS

- RACO® Boxes are installed in walls or ceilings for lighting fixtures, switches or receptacles
- Square boxes are used where multiple conductor runs are split into two or more directions to bring power to a number of electrical devices

#### PRODUCT FEATURES

- Combination screw heads provide for faster installation
- TKO® knockouts offer greater flexibility with RACO patented combination 1/2" and 3/4" knockout
- Red boxes, covers and extensions for dedicated life safety alarm circuits

#### COMPLIANCE

- LISTED
- All RACO UL listed steel boxes are acceptable for use in 2 hr. fire rated floor-ceiling and roof-ceiling assemblies, as well as 2 hr. fire rated bearing and non-bearing wood stud and steel stud walls. For additional information consult Fire Resistance Ratings ANSI/UL 263, Sec. III-6.
- 600V Per U.L. 514-A, suitable for use without a bonding jumper in circuits up to 600 volts

SEE END OF SECTION (PG A78) FOR DETAILED DRAWINGS >>



## SQUARE BOXES AND COVERS

### 4" SQUARE BRACKETED BOXES – WELDED WITH CONDUIT KO'S



236



235, 8235



251



232H, 232HS



232HWP, 8232HWP



232M



232F



238 BOX-LOC®



911-4

#### APPLICATIONS

- RACO® Boxes are installed in walls or ceilings for lighting fixtures, switches or receptacles
- Square boxes are used where multiple conductor runs are split into two or more directions to bring power to a number of electrical devices

#### PRODUCT FEATURES

- Reference the Box Selection section in the front of this catalog for complete description of bracket types and features
- BOX-LOC® (MS) Bracket Box is a snap to install. Place the bracket on the open side

of the stud first. Slots in the bracket engage the lip of the stud and actually crimp it as you press the bracket on the stud, quickly locking it in place

- Combination screw heads provide for faster installation
- TKO® knockouts offer greater flexibility with RACO® patented combination 1/2" and 3/4" knockout
- UBS Support - Welded to box, preset bend points to work with wall thickness 2-1/2" to 6"
- Red boxes, covers and extensions for dedicated life safety alarm circuits

#### COMPLIANCE

- LISTED
- All RACO UL listed steel boxes are acceptable for use in 2 hr. fire rated floor-ceiling and roof-ceiling assemblies, as well as 2 hr. fire rated bearing and non-bearing wood stud and steel stud walls. For additional information consult Fire Resistance Ratings ANSI/UL 263, Sec. III-6.
- **600V** Per U.L. 514-A, suitable for use without a bonding jumper in circuits up to 600 volts

CAT. #	DESCRIPTION	CUBIC IN. (CM <sup>3</sup> )	KNOCKOUTS		STD. PKG.	BAR CODE
			SIDES CONDUIT	BOTTOM CONDUIT		
<b>4" Square Box, 2-1/8" Deep – Welded with Conduit KO's</b>						
236	600V, FM, Flush	30.3 (496.5)	(6) 3/4"	(1) 1/2", (4) 3/4"	25	
235	600V, TS, Flush	30.3 (496.5)	(6) 1/2", (3) TKO	(3) 1/2", (2) TKO	25	—
8235	TS, Flush,	30.3 (496.5)	(6) 1/2", (3) TKO	(3) 1/2", (2) TKO	25	
251	B Flush	30.3 (496.5)	(6) 1/2", (3) TKO	(3) 1/2", (2) TKO	25	—
232H	Raised Ground, 8" #12 Solid Copper Pigtail, UBS, HM	30.3 (496.5)	(8) 1/2", (4) TKO	(2) 1/2", (2) TKO	25	—
232HS	Raised Ground, 10" #12 Stranded Copper Pigtail, UBS, HM	30.3 (496.5)	(8) 1/2", (4) TKO	(2) 1/2", (2) TKO	25	—
232HWP	Raised Ground, UBS, HM	30.3 (496.5)	(8) 1/2", (4) TKO	(2) 1/2", (2) TKO	25	—
8232HWP	Raised Ground, UBS, HM	30.3 (496.5)	(8) 1/2", (4) TKO	(2) 1/2", (2) TKO	25	
232M	600V, Raised Ground, 8" #12 Solid Copper Pigtail, UBS, HM	30.3 (496.5)	(8) 1/2", (4) TKO	(2) 1/2", (2) TKO	25	—
232F	600V, Raised Ground 8" #12 Solid Copper Pigtail, UBS	30.3 (496.5)	(8) 1/2", (4) TKO	(2) 1/2", (2) TKO	25	—
238	BOX-LOC®, MS, Flush, Provided with Far-side support (part #978)	30.3 (496.5)	(6) 1/2", (3) TKO	(3) 1/2", (2) TKO	25	
911-4	FM Bracket, Painted Red	30.3 (496.5)	(6) 1/2", (3) TKO	(3) 1/2", (2) TKO	25	—

SEE END OF SECTION (PG A78) FOR DETAILED DRAWINGS >>





### 4" SQUARE PLENUM BOXES AND COVER



226



231PL



239



203PL



762



125PL



165PL



722PL



257PL



258PL



259PL\*



264PL



265PL



250PL



832PL

CAT. #	DESCRIPTION	CU. IN. (CM <sup>3</sup> )	AIR-TIGHT KNOCKOUTS		STD. PKG.	BAR CODE
			SIDES CONDUIT	BOTTOM CONDUIT		
<b>4" Square Plenum Box and Covers</b>						
226	1-1/2" deep box	21	(8) 1/2", (4) 3/4"	(3) 1/2", (2) 3/4"	50	
231PL	2-1/8" deep box	30.3	(8) 3/4"	(3) 1/2", (2) 3/4"	25	—
239	2-1/8" deep box	30.3	(8) 1/2", (4) 3/4"	(3) 1/2", (2) 3/4"	25	
203PL	1-1/2" deep extension 4" sq. boxes	21	(8) 1/2", (4) 3/4"	—	50	—
762	Gasketed blank cover for 4" sq. boxes	—	—	—	50	
<b>4" Octagon Plenum Boxes and Covers</b>						
125PL	1-1/2" deep box	15.5	(4) 1/2"	(5) 1/2"	50	—
165PL	2-1/8" deep box	21.5	(2) 1/2", (2) 3/4"	(3) 1/2", (2) 3/4"	25	—
722PL	Gasketed blank cover for 4" octagon box	—	—	—	25	—
<b>4-11/16" Square Plenum Boxes and Covers</b>						
257PL	2-1/8" deep box	42	(8) 1/2", (4) 3/4"	(3) 1/2", (2) 3/4"	25	—
258PL	2-1/8" deep box	42	(8) 1"	(3) 1/2", (2) 3/4"	25	—
259PL*	2-1/8" deep box	42	(4) 1", (4) 1-1/4"	(3) 1/2", (2) 3/4"	25	—
264PL	2-1/8" deep box	42	(12) 3/4"	(3) 1/2", (2) 3/4"	25	—
265PL	2-1/8" deep box	42	(6) 3/4", (4) 1"	(3) 1/2", (2) 3/4"	25	—
250PL	1-1/2" deep extension 4-11/16" sq. box	30	(8) 1/2", (4) 3/4"	—	25	—
832PL	Gasketed blank cover for 4-11/16" sq. box	—	—	—	25	—

\* Not UL Rated

#### APPLICATIONS

- RACO® Plenum boxes are used in above-ceiling applications where air-tight enclosures are required

#### PRODUCT FEATURES

- To maintain plenum seal, RACO Plenum Boxes do not provide ground screw holes
- Cover gasket is PVC foam material
- Air-tight Knockouts

#### COMPLIANCE

- LISTED

SEE END OF SECTION (PG A78) FOR DETAILED DRAWINGS >>



## SQUARE BOXES AND COVERS

### 3-3/4" SQUARE BOXES – WELDED WITH CONDUIT KO'S



256



911-2



255



911-1

#### APPLICATIONS

- RACO® Red boxes and covers allow inspector or building owner to immediately identify alarm/fire or life safety systems

#### PRODUCT FEATURES

- 3-3/4" opening in wall allows for margin of error when using a 4" square cover
- Accepts all 4" square covers and mudrings
- Red boxes, covers and extensions for dedicated life safety alarm circuits

#### COMPLIANCE

- LISTED

CAT. #	DESCRIPTION	CUBIC INCHES (CM <sup>3</sup> )	KNOCKOUTS		STD. PKG.	BAR CODE
			SIDES CONDUIT	BOTTOM CONDUIT		
<b>3-3/4" Square Large Capacity Boxes, 3-1/2" Deep – Welded with Conduit KO's</b>						
256		45.0 (737.4)	(12) 1/2"-3/4" Concentric	(4) 1/2"-3/4" Concentric	25	
911-2	Painted Red	45.0 (737.4)	(12) 1/2"-3/4" Concentric	(4) 1/2"-3/4" Concentric	25	—
<b>3-3/4" Square Large Capacity Bracketed Boxes, 3-1/2" Deep – Welded with Conduit KO's</b>						
255	FM Bracket	45.0 (737.4)	(10) 1/2"-3/4" Concentric	(4) 1/2"-3/4" Concentric	10	
911-1	FM Bracket, Painted Red	45.0 (737.4)	(10) 1/2"-3/4" Concentric	(4) 1/2"-3/4" Concentric	10	—

SEE END OF SECTION (PG A78) FOR DETAILED DRAWINGS >>





### 4" SQUARE BOXES – WELDED WITH ARMORED CABLE / METAL CLAD / FLEX CLAMPS



213, 8213



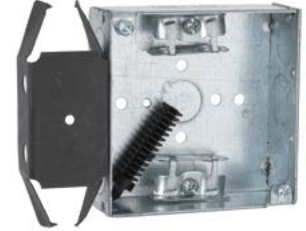
213HWP



224



218, 8218



229 BOX-LOC®

CAT. #	DESCRIPTION	CUBIC INCHES (CM <sup>3</sup> )	KNOCKOUTS			STD. PKG.	BAR CODE
			CABLE PRIORTS	SIDES CONDUIT	BOTTOM CONDUIT		
<b>4" Square Box, 1-1/2" Deep – Welded with Armored Cable/Metal Clad/Flex Clamps</b>							
213	600V	21.0 (344.1)	4	(4) 1/2", (2) TKO	(1) 1/2"	50	—
8213	600V	21.0 (344.1)	4	(4) 1/2", (2) TKO	(1) 1/2"	50	
<b>4" Square Bracketed Box, 1-1/2" Deep – Welded with Armored Cable/Metal Clad/Flex Clamps</b>							
213HWP	600V, HM, UBS	21.0 (344.1)	4	(4) 1/2", (2) TKO	(1) 1/2"	20	—
224	600V, B, Flush	21.0 (344.1)	4	(2) 1/2", (1) TKO	(1) 1/2"	25	—
218	600V, FS, Flush	21.0 (344.1)	4	(2) 1/2", (1) TKO	(1) 1/2"	25	—
8218	600V, FS, Flush	21.0 (344.1)	4	(2) 1/2", (1) TKO	(1) 1/2"	25	
229	600V, BOX-LOC®, (MS) Flush, Provided with Far-side support (part #978)	21.0 (344.1)	4	(2) 1/2"	(1) 1/2"	25	

#### APPLICATIONS

- RACO® Boxes are installed in walls or ceilings for lighting fixtures, switches or receptacles
- Square boxes are used where multiple conductor runs are split into two or more directions to bring power to a number of electrical devices

#### PRODUCT FEATURES

- Reference the Box Selection section in the front of this catalog for complete description of bracket types and features
- BOX-LOC® (MS) Bracket Box is a snap to install. Place the bracket on the open side of the stud first. Slots in the bracket engage the lip of the stud and actually crimp it as you press the bracket on the stud, quickly locking it in place
- UBS Support - Welded to box, preset bend points to work with wall thickness 2-1/2" to 6"
- Combination screw heads provide for faster installation
- TKO® Knockouts offer greater flexibility with RACO patented combination 1/2" and 3/4" knockout

#### COMPLIANCE

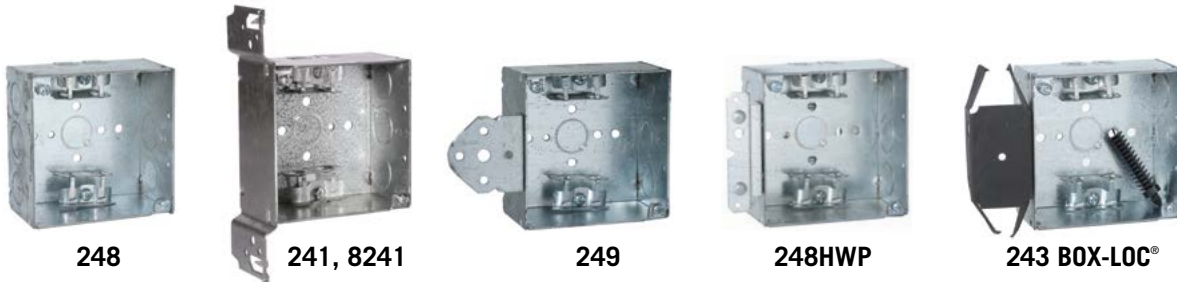
- LISTED
- All RACO UL listed steel boxes are acceptable for use in 2 hr. fire rated floor-ceiling and roof-ceiling assemblies, as well as 2 hr. fire rated bearing and non-bearing wood stud and steel stud walls. For additional information consult Fire Resistance Ratings ANSI/UL 263, Sec. III-6.
- 600V Per U.L. 514-A, suitable for use without a bonding jumper in circuits up to 600 volts

SEE END OF SECTION (PG A78) FOR DETAILED DRAWINGS >>



## SQUARE BOXES AND COVERS

### 4" SQUARE BOXES – WELDED WITH ARMORED CABLE / METAL CLAD / FLEX CLAMPS



#### APPLICATIONS

- RACO® Boxes are installed in walls or ceilings for lighting fixtures, switches or receptacles
- Square boxes are used where multiple conductor runs are split into two or more directions to bring power to a number of electrical devices

#### PRODUCT FEATURES

- Reference the Box Selection section in the front of this catalog for complete description of bracket types and features
- BOX-LOC® (MS) Bracket Box is a snap to install. Place the bracket on the open side of the stud first. Slots in the bracket engage the lip of the stud and actually crimp it as you press the bracket on the stud, quickly locking it in place
- Combination screw heads provide for faster installation
- TKO® knockouts offer greater flexibility with RACO patented combination 1/2" and 3/4" knockout

#### COMPLIANCE

- LISTED
- All RACO UL listed steel boxes are acceptable for use in 2 hr. fire rated floor-ceiling and roof-ceiling assemblies, as well as 2 hr. fire rated bearing and non-bearing wood stud and steel stud walls. For additional information consult Fire Resistance Ratings ANSI/UL 263, Sec. III-6.
- **600V** Per U.L. 514-A, suitable for use without a bonding jumper in circuits up to 600 volts

CAT. #	DESCRIPTION	CUBIC INCHES (CM <sup>3</sup> )	KNOCKOUTS			STD. PKG.	BAR CODE
			CABLE PRIOUTS	SIDES CONDUIT	BOTTOM CONDUIT		
<b>4" Square Box, 2-1/8" Deep – Welded with Armored Cable/Metal Clad/Flex Clamps</b>							
248	<b>600V</b>	30.3 (496.5)	4	(4) 1/2", (2) TKO	(1) 1/2"	25	
<b>4" Square Bracketed Box, 2-1/8" Deep – Welded with Armored Cable/Metal Clad/Flex Clamps</b>							
241	<b>600V</b> , TS, Flush	30.3 (496.5)	4	(2) 1/2", (1) TKO	(1) 1/2"	25	—
8241	<b>600V</b> , TS, Flush	30.3 (496.5)	4	(2) 1/2", (1) TKO	(1) 1/2"	25	
249	<b>600V</b> , B, Flush	30.3 (496.5)	4	(2) 1/2", (1) TKO	(1) 1/2"	25	—
248HWP	<b>600V</b> , HM Bracket, UBS	30.3 (496.5)	4	(2) 1/2", (1) TKO	(1) 1/2"	25	
243	<b>600V</b> , BOX-LOC®, (MS) Flush, Provided w/Far-side support (part #978)	30.3 (496.5)	4	(2) 1/2", (1) TKO	(1) 1/2"	25	

SEE END OF SECTION (PG A78) FOR DETAILED DRAWINGS >>





### 4" SQUARE STAB-IT® BOXES – WELDED WITH ARMORED CABLE / METAL CLAD / FLEX CLAMPS



#### APPLICATION

- For any job where flexible armored cable is being used.

#### PRODUCT FEATURES

- Designed for quick installation of flex, MC, MCI, MCI-A, AC, and HCF Cable. Refer to STAB-IT chart on page A-7
- Accepts cable sizes from 14/2 up to 10/3 for most cable types

- Each STAB-IT connector accommodates two cables
- Pre-installed 8" solid #12 pigtail for faster installation

#### COMPLIANCE

- LISTED

- All RACO UL listed steel boxes are acceptable for use in 2 hr. fire rated floor-ceiling and roof-ceiling assemblies, as well as 2 hr. fire rated bearing and non-bearing wood stud and steel stud walls. For additional information consult Fire Resistance Ratings ANSI/UL 263, Sec. III-6

CAT. #	DESCRIPTION	CU. IN. (CM <sup>3</sup> )	CABLE PRIORTS	KNOCKOUTS		STD. PKG.	BAR CODE
				SIDES CONDUIT	BOTTOM CONDUIT		
<b>4" Square Stab-IT Box, 2-1/8" Deep – Welded with Armored Cable/Metal Clad/Flex Clamps</b>							
232S*	(1) STAB-IT Connector, w/ Pigtail	30.3 (496.5)	2	(6) 1/2", (3) 1/2"-3/4" TKO	(1) 1/2", (1) 1/2"-3/4" TKO	25	
232MS	(1) STAB-IT Connector, M Brkts., w/ Pigtail & UBS			(6) 1/2", (3) 1/2"-3/4" TKO	(1) 1/2", (1) 1/2"-3/4" TKO	25	
232SCM*	(1) STAB-IT Connector, w/Pigtail, Cable Mgmt. Clip & UBS			(6) 1/2", (3) 1/2"-3/4" TKO	(1) 1/2", (1) 1/2"-3/4" TKO	25	
232MSCM	(1) STAB-IT Connector, M Brkts., w/Pigtail, Cable Mgmt. Clip & UBS			(6) 1/2", (3) 1/2"-3/4" TKO	(1) 1/2", (1) 1/2"-3/4" TKO	25	
232MSHF	(1) STAB-IT Connector, M Brkts., w/Pigtail & heavy duty UBS			(6) 1/2", (3) 1/2"-3/4" TKO	(1) 1/2", (1) 1/2"-3/4" TKO	25	
232MSCMHF	(1) STAB-IT Connector, M Brkts., w/Pigtail, Cable Mgmt. Clip & heavy duty UBS			(6) 1/2", (3) 1/2"-3/4" TKO	(1) 1/2", (1) 1/2"-3/4" TKO	25	
244S	(2) STAB-IT Connectors on top, w/Pigtail			(6) 1/2", (3) 1/2"-3/4" TKO	(1) 1/2", (1) 1/2"-3/4" TKO	25	
244SCM	(2) STAB-IT Connectors on top, w/Pigtail & Cable Mgmt.Clips			(6) 1/2", (3) 1/2"-3/4" TKO	(1) 1/2", (1) 1/2"-3/4" TKO	25	
244MS	(2) STAB-IT Connectors, Connectors on top, M Brkts., w/Pigtail			(6) 1/2", (3) 1/2"-3/4" TKO	(1) 1/2", (1) 1/2"-3/4" TKO	25	
244MSHF	(2) STAB-IT Connectors on top, M brkts., w/Pigtail, & heavy duty UBS			(6) 1/2", (3) 1/2"-3/4" TKO	(1) 1/2", (1) 1/2"-3/4" TKO	25	
244MSCM	(2) STAB-IT Connectors on top, M Brkts., w/Pigtail & UBS			(6) 1/2", (3) 1/2"-3/4" TKO	(1) 1/2", (1) 1/2"-3/4" TKO	25	
244MSCMHF	(2) STAB-IT Connectors on top, H Brkt., w/Pigtail, Cable Mgmt. Clips & heavy duty UBS			(6) 1/2", (3) 1/2"-3/4" TKO	(1) 1/2", (1) 1/2"-3/4" TKO	25	
248S	(2) STAB-IT Connectors, w/ Pigtail			(4) 1/2", (1) 1/2"-3/4" TKO	(1) 1/2"	25	
248HS	(2) STAB-IT Connectors, H Brkt., w/Pigtail & UBS			(4) 1/2", (1) 1/2"-3/4" TKO	(1) 1/2"	25	
248MSHF	(2) STAB-IT Connectors, M Brkts., w/ Pigtail & heavy duty UBS			(4) 1/2", (1) 1/2"-3/4" TKO	(1) 1/2"	25	
248MS	(2) STAB-IT Connectors, M Brkts., w/ Pigtail			(4) 1/2", (1) 1/2"-3/4" TKO	(1) 1/2"	25	

\* cULus Listed. All other models are UL Listed.

For information on UBS and heavy duty UBS see page A30.

SEE END OF SECTION (PG A78) FOR DETAILED DRAWINGS >>



## SQUARE BOXES AND COVERS

### 4" SQUARE BOXES – WELDED WITH NONMETALLIC SHEATHED CABLE CLAMPS



#### APPLICATIONS

- RACO® Boxes are installed in walls or ceilings for lighting fixtures, switches or receptacles
- Square boxes are used where multiple conductor runs are split into two or more directions to bring power to a number of electrical devices

#### PRODUCT FEATURES

- Reference the Box Selection section in the front of this catalog for complete description of bracket types and features
- BOX-LOC® (MS) Bracket Box is a snap to install. Place the bracket on the open side of the stud first. Slots in the bracket engage the lip of the stud and actually crimp it as you press the bracket on the stud, quickly locking it in place
- Combination screw heads provide for faster installation
- TKO® knockouts offer greater flexibility with RACO patented combination 1/2" and 3/4" knockout

CAT. #	DESCRIPTION	CUBIC INCHES (CM <sup>3</sup> )	KNOCKOUTS			STD. PKG.	BAR CODE
			CABLE PRIOUTS	SIDES CONDUIT	BOTTOM CONDUIT		
<b>4" Square Box, 1-1/2" Deep – Welded with Nonmetallic Sheathed Cable Clamps</b>							
211	600V	21.0 (344.1)	4	(4) 1/2", (2) TKO	(1) 1/2"	50	—
8211	600V	21.0 (344.1)	4	(4) 1/2", (2) TKO	(1) 1/2"	50	
223	600V, FS, Flush	21.0 (344.1)	4	(2) 1/2", (1) TKO	(1) 1/2"	25	
225	600V, B, Flush	21.0 (344.1)	4	(2) 1/2", (1) TKO	(1) 1/2"	25	—
228	600V, BOX-LOC®, (MS) Flush, Provided w/Far-side support (part #978)	21.0 (344.1)	4	(2) 1/2" (1) TKO	(1) 1/2"	25	
<b>4" Square Box, 2-1/8" Deep – Welded with Nonmetallic Sheathed Cable Clamps</b>							
242	600V	30.3 (496.5)	4	(4) 1/2", (2) TKO	(1) 1/2"	25	—
240	600V, TS, Flush	30.3 (496.5)	4	(2) 1/2", (1) TKO	(1) 1/2"	25	—
8240	600V, TS, Flush	30.3 (496.5)	4	(2) 1/2", (1) TKO	(1) 1/2"	25	

#### COMPLIANCE

- LISTED
- All RACO UL listed steel boxes are acceptable for use in 2 hr. fire rated floor-ceiling and roof-ceiling assemblies, as well as 2 hr. fire rated bearing and non-bearing wood stud and steel stud walls. For additional information consult Fire Resistance Ratings ANSI/UL 263, Sec. III-6.
- 600V Per U.L. 514-A, suitable for use without a bonding jumper in circuits up to 600 volts

SEE END OF SECTION (PG A78) FOR DETAILED DRAWINGS >>



### 4" SQUARE COVERS



752, 8752,  
8752-5



753, 8753,  
8753-5



754



911-8



787



774, 775, 8775  
782



771, 8771, 772, 8772  
773, 8773, 768, 8768



785, 786

CATALOG #	DESCRIPTION	CUBIC INCHES (CM <sup>3</sup> )	STD. PKG.	BAR CODE
<b>4" Square Flat Covers</b>				
752	Flat, Blank	—	50	—
8752	Flat, Blank	—	50	
8752-5*	Flat, Blank	—	50	
753	Flat, 1/2" KO in Center	—	50	—
8753	Flat, 1/2" KO in Center	—	50	
8753-5*	Flat, 1/2" KO in Center	—	50	
754	Flat, 3/4" KO in Center	—	50	—
911-8	Flat, Blank, <b>Painted Red</b>	—	50	
<b>4" Square Single Device Covers</b>				
787	Flat	—	25	
771	Raised 1/4"	1.5 (24.6)	100	—
8771	Raised 1/4"	1.5 (24.6)	25	
782	Raised 1/2" Tile	3.5 (57.3)	25	
772	Raised 1/2" Drawn	3.5 (57.3)	100	—
8772	Raised 1/2" Drawn	3.5 (57.3)	50	
768	Raised 5/8"	4.5 (73.7)	50	—
8768	Raised 5/8"	4.5 (73.7)	25	
773	Raised 3/4"	5.5 (90.1)	50	—
8773	Raised 3/4"	5.5 (90.1)	25	
774	Raised 1"	7.5 (122.9)	25	
775	Raised 1-1/4"	9.5 (115.6)	25	—
8775	Raised 1-1/4"	9.5 (115.6)	25	
785	Raised 1-1/2"	11.3 (185.2)	25	—
786	Raised 2"	14.5 (237.6)	25	—

#### APPLICATIONS

- RACO® covers are used to close an outlet box
- Raised device covers are used for mounting switches or receptacles

#### PRODUCT FEATURES

- Angled mounting slots compensate up to 12° for box misalignment
- Red boxes, covers and extensions for dedicated life safety alarm circuits

#### COMPLIANCE

- LISTED

\*5 Bundles of 10 – sold in carton quantities only

## SQUARE BOXES AND COVERS

### 4" SQUARE COVERS



791



777, 8777-0



778, 8778



769, 8769



779, 8779



780



781, 8781



795, 796

#### APPLICATIONS

- Raised device covers are used for mounting switches or receptacles
- Low voltage partitions may be added to conduit-type boxes to divide power from voice/data

#### PRODUCT FEATURES

- Angled mounting slots compensate up to 12° for box misalignment

#### COMPLIANCE

- LISTED

CATALOG #	DESCRIPTION	CUBIC INCHES (CM <sup>3</sup> )	STD. PKG.	BAR CODE
<b>4" Square Two Device and Tile Covers</b>				
791	Flat	—	25	
777	Raised, 1/4", Drawn	3.0 (49.2)	50	—
8777-0	Raised, 1/4", Drawn	3.0 (49.2)	10	
778	Raised, 1/2", Drawn	5.5 (90.1)	50	—
8778	Raised, 1/2", Drawn	5.5 (90.1)	25	
769	Raised, 5/8", Drawn	7.3 (119.6)	50	—
8769	Raised, 5/8", Drawn	7.3 (119.6)	25	
779	Raised, 3/4", Drawn	8.8 (144.2)	50	—
8779	Raised, 3/4", Drawn	8.8 (144.2)	25	
780	Raised, 1", Drawn	12.0 (196.6)	25	
781	Raised, 1-1/4", Drawn	15.0 (245.8)	25	—
8781	Raised, 1-1/4", Drawn	15.0 (245.8)	25	
795	Raised, 1-1/2", Welded	15.5 (253.9)	25	—
796	Raised, 2", Welded	20.5 (335.9)	25	—

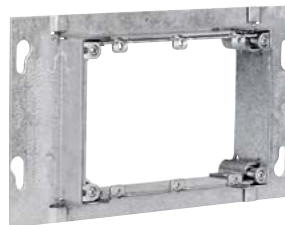
ADJUSTABLE MUD RINGS



768AMR



769AMR



822AMR



756AMR

CATALOG #	DESCRIPTION	STD. PKG.	BAR CODE
<b>Adjustable Mud Rings</b>			
768AMR	1-gang Adjustable Mud Ring for 4" sq. boxes	25	
769AMR	2-gang Adjustable Mud Ring for 4" sq. boxes	25	
822AMR	3-gang Adjustable Round Mud Ring for 942 box	10	
756AMR	Adjustable Round Mud Ring for 4" sq. boxes	25	

**APPLICATIONS**

- Maintain code-compliant installations in hospitals, health care and multi-family applications. Great for use with ceramic tile

**PRODUCT FEATURES**

- 1/2" to 1-3/8" adjustability range
- Depth adjusted by 2 screws located on opposite sides
- Adjustment screws are clearly visible and accessible even after device is installed
- All screws are inside of ring eliminating damage from router
- Design allows 2-gang cover to be installed without removing box screws
- For use with 2-1/8" deep boxes only

**COMPLIANCE**

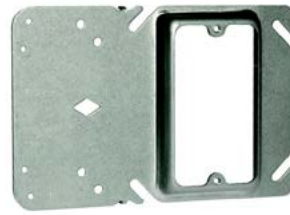
- LISTED

## SQUARE BOXES AND COVERS

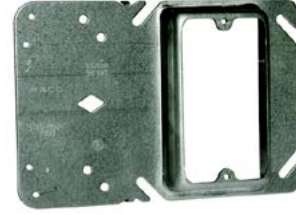
### STUD MOUNT MUD RINGS



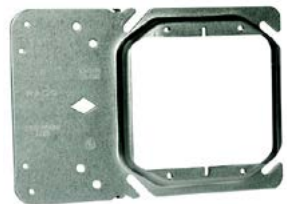
772B



768B



773B



778B



769B



779B

#### APPLICATIONS

- RACO Stud-Mount Mud Rings provide secure support for 4" square boxes and feature a built-in mud ring.

#### PRODUCT FEATURES

- Rigid bracket design eliminates the need for far-side support
- Ability to eliminate electrical boxes in low-voltage installations
- Can be installed from both sides of steel studs
- Positive Posting Tabs ensure consistent alignment on stud
- Center window for accurate positioning
- Works with all box depths and stud sizes with no adjustment required
- Mounts quickly and easily to face of stud

#### COMPLIANCE

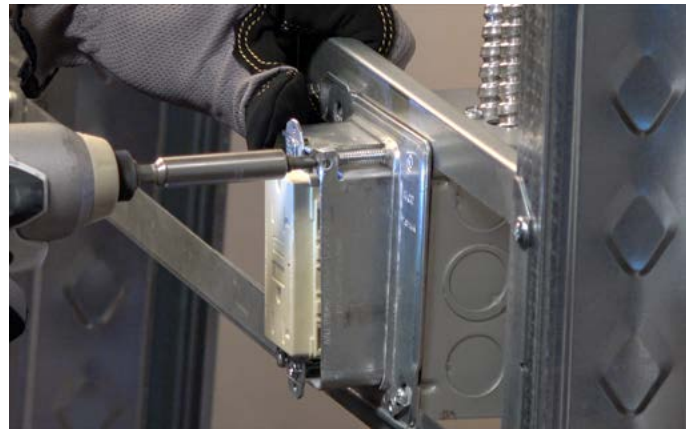
- LISTED

CATALOG #	DESCRIPTION	WT. LBS. PER 100	CUBIC INCHES	STD. PKG.	BAR CODE
<b>4" Stud Mount Mud Rings</b>					
772B	One Device Raised 1/2"	42	3.5	25	
768B	One Device Raised 5/8"	44	4.5	25	
773B	One Device Raised 3/4"	47	5.5	25	
778B	Two Device Raised 1/2"	37	5.5	20	
769B	Two Device Raised 5/8"	40	7.3	20	
779B	Two Device Raised 3/4"	42	8.8	20	



**NEW!**

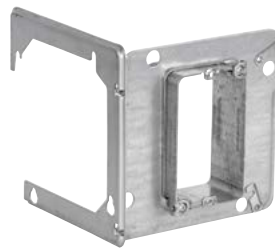
HINGED ADJUSTABLE MUD RINGS



768HAMR



769HAMR



843HAMR



818HAMR

CATALOG #	DESCRIPTION	STD. PKG.	BAR CODE
<b>Hinged Adjustable Mud Rings for 4" Square Boxes</b>			
768HAMR	1-Gang Hinged Adjustable Mud Ring	25	
769HAMR	2-Gang Hinged Adjustable Mud Ring	25	
<b>Hinged Adjustable Mud Rings for 4-11/16" Square Boxes</b>			
843HAMR	1-Gang Hinged Adjustable Mud Ring	25	
818HAMR	2-Gang Hinged Adjustable Mud Ring	25	

**APPLICATIONS**

- Maintain code-compliant installations in hospitals, health care and multi-family applications. Perfect for boxes mounted behind drywall or ceramic tile.

**PRODUCT FEATURES**

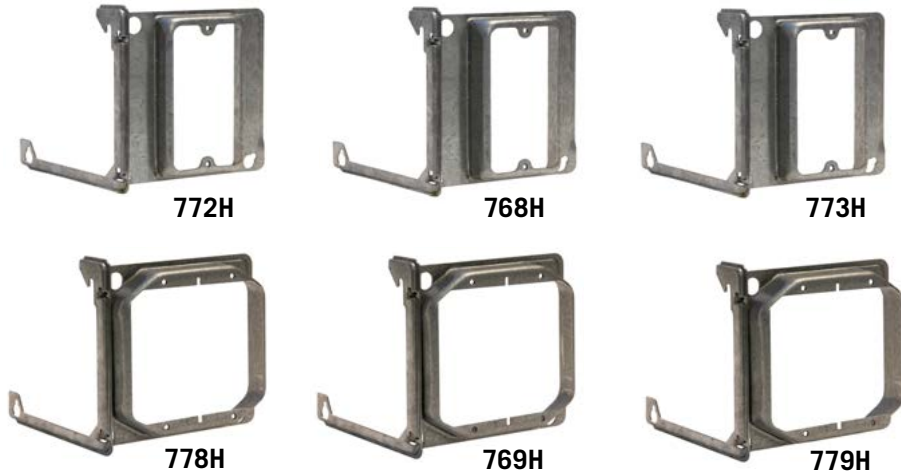
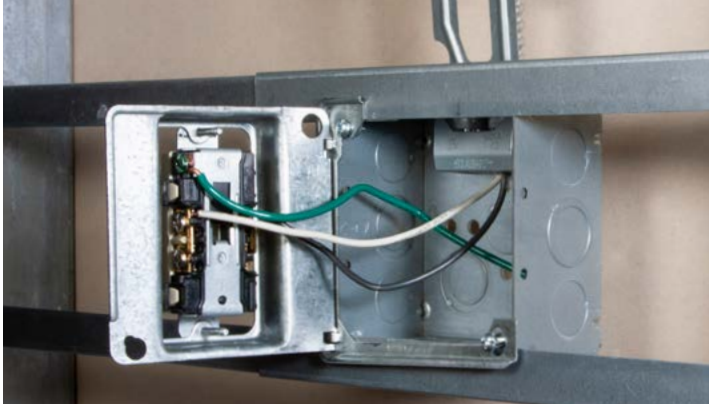
- 1/2" to 1-3/8" adjustability range
- Available for 4" square and 4-11/16" square boxes
- 1-Gang and 2-Gang versions
- Hinged design allows easy and quick access to install conduit connectors and wiring
- Adjustment screws are clearly visible and accessible even after device is installed
- Unique design allows for mud ring to be opened in the field
- Design allows 2-gang cover to be installed without removing box screws
- For use with 2-1/8" deep boxes

**COMPLIANCE**

- LISTED

## SQUARE BOXES AND COVERS

### HINGED MUD RINGS



CATALOG #	DESCRIPTION	STD. PKG.	BAR CODE
<b>Hinged Mud Rings for 4" Square Boxes</b>			
772H	1-Gang Hinged Mud Ring 1/2" raised	25	
768H	1-Gang Hinged Mud Ring 5/8" raised	25	
773H	1-Gang Hinged Mud Ring 3/4" raised	25	
778H	2-Gang Hinged Mud Ring 1/2" raised	25	
769H	2-Gang Hinged Mud Ring 5/8" raised	25	
779H	2-Gang Hinged Mud Ring 3/4" raised	25	

#### APPLICATIONS

- Perfect for boxes mounted behind drywall or ceramic tile in commercial or residential applications

#### PRODUCT FEATURES

- Unique design allows for mud ring to be opened in the field
- Hinged design allows for easy and quick access to install conduit connectors and wiring
- Accepts all standard devices
- 2-gang versions accept low voltage partitions

#### COMPLIANCE

- LISTED

### 4" SQUARE PARTITIONS



706RAC, 707RAC

708, 709

CAT. #	DESCRIPTION	STD. PKG.	BAR CODE
<b>Low Voltage Partitions for 1-1/2" Depth Boxes and 2-Device Covers</b>			
706RAC	Fits 1/4", 1/2", 3/4" or 1" Cover Depth (#777, 778, 8778, 779, 8779, 780)	25	—
708	Fits 1-1/4", 1-1/2" or 2" Cover Depth (#781, 8781, 795, 796)	25	—
<b>Low Voltage Partitions* for 2-1/8" Depth Boxes and 2-Device Covers</b>			
707RAC	Fits 1/4", 1/2", 3/4" or 1" Cover Depth (#777, 778, 8778, 779, 8779, 780)	25	—
709	Fits 1-1/4", 1-1/2" or 2" Cover Depth (#781, 8781, 795, 796)	25	—

#### APPLICATIONS

- Low voltage partitions may be added to conduit-type boxes to divide power from voice/data
- Must be used with raised covers

#### PRODUCT FEATURES

- Partition divides 4" square boxes into two compartments
- Use with two-device covers which have a slot for the partition
- Partition is scored so it can be broken at the proper depth of box and cover combination
- Helpful hint: Assemble the box with the partition in place before breaking off at the scored tab. This will prevent you from breaking off more tab than needed

Boxes, covers, and partitions must be ordered separately.  
 For 1-1/2" and 2-1/8" deep boxes with 5/8" cover, partition not available.  
 Partitions are usable but not UL listed for 4-11/16" sq. box.

### 4" SQUARE FIXTURE COVERS



756-759, 767,  
8756, 8767

897KH

CAT. #	DESCRIPTION	CUBIC INCHES (CM <sup>3</sup> )	RECOMMENDED MAX. LOADS		STD. PKG.	BAR CODE
			CEILING FAN (DYNAMIC) LBS.	FIXTURE (STATIC) LBS.		
<b>4" Square Fixture Covers</b>						
767	Raised, 1/2" Open, Ears 2-3/4" O.C.	3.0 (49.2)	No	50	25	—
8767	Raised, 1/2" Open, Ears 2-3/4" O.C.	3.0 (49.2)	No	50	25	
756	Raised, 5/8" Open, Ears 2-3/4" O.C.	4.0 (65.5)	No	50	100	—
8756	Raised, 5/8" Open, Ears 2-3/4" O.C.	4.0 (65.5)	No	50	25	
759	Raised, 3/4" Open, Ears 2-3/4" O.C.	5.0 (81.9)	No	50	25	
757	Raised, 1" Open, Ears 2-3/4" O.C.	6.8 (111.4)	No	50	25	
758	Raised, 1-1/4" Open, Ears 2-3/4" O.C.	8.5 (139.3)	No	50	25	—
<b>4" Square Swivel Fixture Covers</b>						
897KH	KWIK-HANG® for 4" Sq. Boxes, 1/2" or 3/4" Pipe	—	No	50	25	

#### APPLICATIONS

- Raised fixture covers are used where fixtures will be installed

#### PRODUCT FEATURES

- Angled mounting slots compensate up to 12° for box misalignment
- Swivel covers restricted to 20° swing from vertical
- KWIK-HANG® 897KH allows easy installation of high bay lighting fixtures. Fixture rests in position while wiring is completed

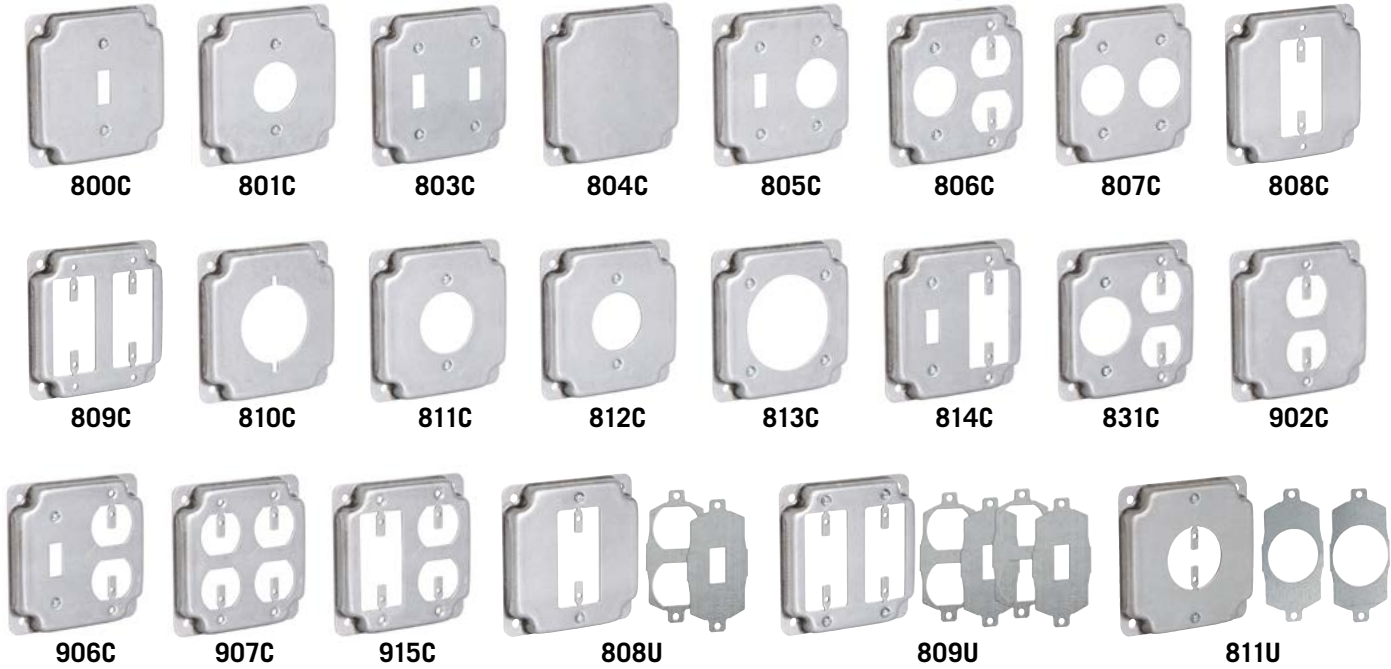
#### COMPLIANCE

- LISTED

## SQUARE BOXES AND COVERS



### 4" SQUARE EXPOSED WORK COVERS



#### APPLICATIONS

- RACO® surface covers are used to support switches or receptacles in areas where the box is surface mounted or positioned in exposed work applications

#### PRODUCT FEATURES

- RACO® exposed work covers include driven screws and break-off lock nuts
- RACO® Exposed work covers meet the requirements of the 2020 NEC Article 250.146 (A). No bonding jumper is required for covers with:
  - (1) Crushed corners
  - (2) Two or more device attachment fasteners that are permanent with thread-locking, screws, or nut-locking means
  - (3) Insulating retaining washer removed for at least one device attachment screw
- Break-off tabs or hardware included

#### COMPLIANCE

- LISTED

CATALOG #	DESCRIPTION	CUBIC IN. (CM <sup>3</sup> )	STD. PKG.	BAR CODE
<b>4" Square, Crushed Corner Covers – Raised 1/2"</b>				
800C	1 Toggle Switch	6.5 (106.5)	10	
801C	1 Receptacle 1.406" Dia.	6.5 (106.5)	10	
803C	2 Toggle Switches	6.5 (106.5)	10	
804C	Blank, No Holes	6.5 (106.5)	10	
805C	1 Toggle Switch and 1 Receptacle 1.406" Dia.	6.5 (106.5)	10	
806C	1 Duplex and 1 Receptacle 1.406" Dia.	6.5 (106.5)	10	
807C	2 Receptacles 1.406" Dia.	6.5 (106.5)	10	
808C	1 GFCI	6.5 (106.5)	10	
809C	2 GFCI	6.5 (106.5)	10	
810C	30A-50A Receptacle 2.141" Dia.	6.5 (106.5)	10	
811C	30A Locking 1.719" Dia.	6.5 (106.5)	10	
812C	20A Receptacle 1.620" Dia.	6.5 (106.5)	10	
813C	30-60A Receptacle 2.625" Dia.	6.5 (106.5)	10	
814C	1 GFCI and 1 Toggle Switch	6.5 (106.5)	10	
831C	1 Duplex, 1 20A, 1.620" Dia.	6.5 (106.5)	10	
902C	1 Duplex Receptacle	6.5 (106.5)	10	
906C	1 Duplex Receptacle and 1 Toggle Switch	6.5 (106.5)	10	
907C	2 Duplex Receptacles	6.5 (106.5)	10	
915C	1 GFCI and 1 Duplex Receptacle	6.5 (106.5)	10	
<b>4" Square, Universal Crushed Corner Covers – Raised 1/2", Insert Plates</b>				
808U	Universal for 1 Device: 1 GFCI, 1 Duplex, 1 Toggle	6.5 (106.5)	10	
809U	Universal for 2 Devices: 2 GFCI, 2 Duplex or 2 Toggle	6.5 (106.5)	10	
811U	Universal for 1 Round Device: 1.405" Dia. Hole, 1.620" Dia. Hole, 1.709" Dia. Hole	6.5 (106.5)	10	





### 4-11/16" SQUARE BOXES AND EXTENSION RINGS – DRAWN WITH CONDUIT KO'S



245



246



247



250



262

CAT. #	DESCRIPTION	CUBIC INCHES (CM <sup>3</sup> )	KNOCKOUTS		STD. PKG.	BAR CODE
			SIDES CONDUIT	BOTTOM CONDUIT		
<b>4-11/16" Square Boxes, 1-1/2" Deep – Drawn with Conduit KO's</b>						
245	—	29.5 (483.4)	(12) 1/2"	(3) 1/2", (2) 3/4"	25	—
246	—	29.5 (483.4)	(10) 3/4"	(3) 1/2", (2) 3/4"	25	—
247	—	29.5 (483.4)	(8) 1/2", (4) 3/4"	(3) 1/2", (2) 3/4"	25	—
<b>4-11/16" Square Extension Rings – Drawn with Conduit KO's</b>						
250	1-1/2" Depth	29.5 (483.4)	(8) 1/2", (4) 3/4"	—	25	—
262	2-1/8" Depth	43.0 (704.6)	(8) 1/2", (4) 3/4"	—	25	

#### APPLICATIONS

- RACO® 4-11/16" Boxes are used for a wide variety of industrial applications where larger sized conductors or wiring devices are needed and more volume is required
- Drawn boxes are ideal for exposed work applications (surface mounted wiring)
- RACO® Extension rings provide a means for adding cubic capacity or as an outlet box for surface conduit

#### PRODUCT FEATURES

- Combination screw heads provide for faster installation

#### COMPLIANCE

- LISTED

## SQUARE BOXES AND COVERS

# STAB-iT® II

## 4-11/16" SQUARE BOXES



### APPLICATION

- For any job where flexible armored cable is being used
- Ideal for pre-fab

### PRODUCT FEATURES

- Accepts larger cable, including PC-PCS luminaire cables for smart building applications

- 3 times faster than traditional connectors
- Each STAB-iT connector accommodates three cables
- Available with built-in cable management clip, offering first means of support
- Available with "M" brackets for stud mounting
- Pre-installed 8" solid #12 pigtail for faster

- Suitable for use without a bonding jumper in circuits up to 600 volts
- Improved design allows each cable to easily be removed, allows connector to be reused

### COMPLIANCE

- LISTED



*New, Heavy Duty UBS (987), accommodates 2.5" - 6" stud depths featured on models ending in HF*

*All models with an "M" or "H" after the 3 digit number feature RACO's Universal Box Support. This excludes part numbers ending with "HF"*

CAT. #	DESCRIPTION	CUBIC INCHES (CM <sup>3</sup> )	CABLE PRIORTS	KNOCKOUTS		STD. PKG.	BAR CODE		
				SIDES CONDUIT	BOTTOM CONDUIT				
<b>4-11/16" Square STAB-iT® Box, 2-1/8" Deep – Welded with Armored Cable/Metal Clad/Flex Clamps</b>									
252S*	(1) STAB-iT II Connector, w/Pigtail	42.0 (688.3)	3	(9) 1/2"-3/4", (1) 3/4"-1" TKO	(1) 1/2", (1) 1/2"-3/4" TKO	25	IIIIIIII		
252SCM*	(1) STAB-iT II Connector, w/Pigtail, & Cable Mgmt. Clip			(9) 1/2"-3/4", (1) 3/4"-1" TKO	(1) 1/2", (1) 1/2"-3/4" TKO	25	IIIIIIII		
252MS*	(1) STAB-iT II Connector, M brkts., w/Pigtail & UBS			(9) 1/2"-3/4", (1) 3/4"-1" TKO	(1) 1/2", (1) 1/2"-3/4" TKO	25	IIIIIIII		
252MSCM*	(1) STAB-iT II Connector, M brkts., w/Pigtail, Cable Mgmt. Clip & UBS			(9) 1/2"-3/4", (1) 3/4"-1" TKO	(1) 1/2", (1) 1/2"-3/4" TKO	25	IIIIIIII		
252MSCMHF	(1) STAB-iT II Connector, M brkts., w/Pigtail, Cable Mgmt. Clip & heavy duty UBS			(9) 1/2"-3/4", (1) 3/4"-1" TKO	(1) 1/2", (1) 1/2"-3/4" TKO	25	IIIIIIII		
252MSHF	(1) STAB-iT II Connector, M brkts., w/pigtail & heavy duty UBS			(9) 1/2"-3/4", (1) 3/4"-1" TKO	(1) 1/2", (1) 1/2"-3/4" TKO	25	IIIIIIII		
254S*	(2) STAB-iT II Connectors on top, w/pigtail			6	(1) 1/2", (8) 1/2"-3/4" TKO	(1) 1/2", (1) 1/2"-3/4" TKO	25	IIIIIIII	
254SCM*	(2) STAB-iT II Connectors on top, w/Pigtail, Cable Mgmt. Clips & UBS				(1) 1/2", (8) 1/2"-3/4" TKO	(1) 1/2", (1) 1/2"-3/4" TKO	25	IIIIIIII	
987	Heavy duty Universal Box Support (UBS)			—	—	—	—	25	IIIIIIII

\* cULus Listed. All other models are UL Listed.

SEE END OF SECTION (PG A79) FOR DETAILED DRAWINGS >>



### 4-11/16" SQUARE BOXES – WELDED WITH CONDUIT KO'S



257, 8257,  
8257SP



258



259



265, 8265,  
8265SP



911-12



257SM



258SM



257F



257HWP



257H, 257HS



257M



254



266 BOX-LOC®

CAT. #	DESCRIPTION	CUBIC INCHES (CM <sup>3</sup> )	KNOCKOUTS		STD. PKG.	BAR CODE
			SIDES CONDUIT	BOTTOM CONDUIT		
<b>4-11/16" Square Boxes, 2-1/8" Deep – Welded with Conduit KO's</b>						
257	600V, Raised Ground	42.0 (688.2)	(12) TKO	(1) 1/2", (3) TKO	25	—
8257	600V, Raised Ground	42.0 (688.2)	(12) TKO	(1) 1/2", (3) TKO	25	
8257SP	600V, Raised Ground	42.0 (688.2)	(12) TKO	(1) 1/2", (3) TKO	20	
258	600V, Raised Ground	42.0 (688.2)	(8) 1"	(1) 1/2", (3) TKO	25	—
259*	600V, Raised Ground	42.0 (688.2)	(6) 1-1/4"	(1) 1/2", (3) TKO	25	—
265	600V, Raised Ground	42.0 (688.2)	(4) 3/4", (4) 1"	(1) 1/2", (3) TKO	25	—
8265	600V, Raised Ground	42.0 (688.2)	(4) 3/4", (4) 1"	(1) 1/2", (3) TKO	25	
8265SP	600V, Raised Ground	42.0 (688.2)	(4) 3/4", (4) 1"	(1) 1/2", (3) TKO	20	
911-12	600V, Raised Ground, Painted Red	42.0 (688.2)	(12) TKO	(1) 1/2", (3) TKO	25	—
257SM	600V, Raised Ground, 10" #12 Stranded Copper Pigtail	42.0 (688.2)	(12) TKO	(1) 1/2" (3) TKO	25	
258SM	600V, Raised Ground, 10" #12 Stranded Copper Pigtail	42.0 (688.2)	(8) 1"	(1) 1/2" (3) TKO	25	
257F	600V, Raised Ground, 8" #12 Solid Copper Pigtail, UBS	42.0 (688.2)	(12) TKO	(1) 1/2" (3) TKO	20	—
<b>4-11/16" Square Bracketed Boxes, 2-1/8" Deep – Welded with Conduit KO's</b>						
257H	600V, Raised Ground, 8" #12 Solid Copper Pigtail, UBS, HM	42.0 (688.2)	(12) TKO	(1) 1/2" (3) TKO	20	—
257HS	600V, Raised Ground, 10" #12 Stranded Copper Pigtail, UBS, HM	42.0 (688.2)	(12) TKO	(1) 1/2" (3) TKO	20	—
257HWP	Raised Ground, UBS, HM	42.0 (688.2)	(12) TKO	(1) 1/2", (3) TKO	20	—
257M	600V, Raised Ground, 8" #12 Solid Copper Pigtail, UBS, HM	42.0 (688.2)	(12) TKO	(1) 1/2" (3) TKO	20	—
254	600V, Raised Ground, FM	42.0 (688.2)	(9) TKO	(1) 1/2", (3) TKO	25	
266	600V, Raised Ground, BOX-LOC®, MS Flush, Provided w/Far-side support (part #978)	42.0 (688.2)	(9) TKO	(1) 1/2" (3) TKO	25	

\* Not UL Rated

### APPLICATIONS

- RACO® 4-11/16" Boxes are used for a wide variety of industrial applications where larger sized conductors or wiring devices are needed and more volume is required

### PRODUCT FEATURES

- Reference the Box Selection section in the front of this catalog for complete description of bracket types and features
- BOX-LOC® (MS) Bracket Box is a snap to install. Place the bracket on the open side of the stud first. Slots in the bracket engage the lip of the stud and actually crimp it as you press the bracket on the stud, quickly locking it in place
- Combination screw heads provide for faster installation
- TKO® knockouts allow for design and installation flexibility
- UBS Support - Welded to box, preset bend points to work with wall thickness 2-1/2" to 6"
- Red boxes, covers and extensions for dedicated life safety alarm circuits

### COMPLIANCE

- LISTED
- 600V Per U.L. 514-A, suitable for use without a bonding jumper in circuits up to 600 volts

SEE END OF SECTION (PG A79) FOR DETAILED DRAWINGS >>

## SQUARE BOXES AND COVERS

### 4-11/16" ADJUSTABLE MUD RINGS

#### APPLICATIONS

- Maintain code-compliant installations in hospitals, health care and multi-family applications. Great for use with ceramic tile

#### PRODUCT FEATURES

- 1/2" to 1-3/8" adjustability range
- Depth adjusted by 2 screws located on opposite sides
- Adjustment screws are clearly visible and accessible even after device is installed
- All screws are inside of ring eliminating damage from router
- Design allows 2-gang cover to be installed without removing box screws
- For use with 2-1/8" deep boxes

#### COMPLIANCE

- LISTED



868AMR



869AMR

CATALOG #	DESCRIPTION	STD. PKG.	BAR CODE
<b>Adjustable Mud Rings</b>			
868AMR	1-gang Adjustable Mud Ring for 4-11/16" sq. boxes	25	IIIIIIII
869AMR	2-gang Adjustable Mud Ring for 4-11/16" sq. boxes	25	IIIIIIII

### 4-11/16" SQUARE COVERS



832, 832SP



833, 8833-5



911-11



837, 8837



843



838



839



842



898



899

#### APPLICATIONS

- Covers are used to close an outlet box
- Raised device covers are used for mounting switches or receptacles

#### PRODUCT FEATURES

- Red boxes, covers and extensions for dedicated life safety alarm circuits

#### COMPLIANCE

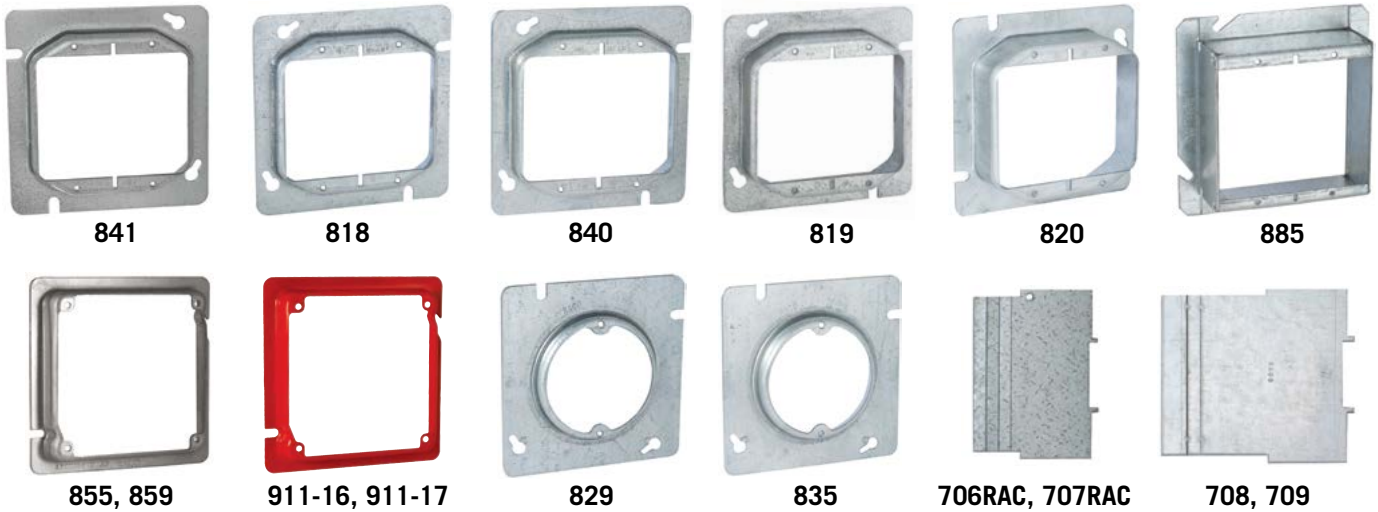
- LISTED

CAT. #	DESCRIPTION	STD. PKG.	BAR CODE	CAT. #	DESCRIPTION	CU. IN. (CM <sup>3</sup> )	STD. PKG.	BAR CODE
<b>4-11/16" Square Flat Covers</b>				<b>4-11/16" Square Single Device and Tile Covers</b>				
832	Flat, Blank	50	IIIIIIII	837	Raised 1/2"	3.5 (57.3)	25	—
832SP	Flat, Blank	25	IIIIIIII	8837	Raised 1/2"	3.5 (57.3)	25	IIIIIIII
833	Flat, 1/2" KO, Centered	50	IIIIIIII	843	Raised 5/8"	4.5 (73.7)	25	IIIIIIII
8833-5*	Flat, 1/2" KO, Centered	50	IIIIIIII	838	Raised 3/4"	5.5 (90.1)	25	—
911-11	Flat, Blank, Painted Red	50	—	839	Raised 1"	7.5 (122.9)	25	—
				842	Raised 1-1/4"	9.5 (155.6)	25	—
				898	Raised 1-1/2"	11.0 (180.2)	20	—
				899	Raised 2"	16.0 (262.2)	20	—

\*5 Bundles of 10 – sold in carton quantities only



### 4-11/16" SQUARE COVERS AND PARTITIONS



CATALOG #	DESCRIPTION	CUBIC IN. (CM <sup>3</sup> )	STD. PKG.	BAR CODE
<b>4-11/16" Square Two Device and Tile Covers</b>				
841	Raised 1/2"	5.5 (90.3)	25	
818	Raised 5/8"	7.3 (119.6)	25	—
840	Raised 3/4"	8.8 (144.2)	25	—
819	Raised 1"	12.0 (196.6)	25	—
820	Raised 1-1/4"	15.0 (245.8)	25	—
885	Raised 1-1/2"	15.5 (254.0)	20	—
855	Raised 5/8", For Life Safety Appliances & Emergency Exit Signs	8.3 (136.0)	25	—
859	Raised 1-1/4", For Life Safety Appliances & Emergency Exit Signs	16.0 (262.0)	12	—
911-16	Raised 5/8", For Life Safety Appliances & Emergency Exit Signs, Painted Red	8.3 (136.0)	25	—
911-17	Raised 1-1/4", For Life Safety Appliances & Emergency Exit Signs, Painted Red	16.0 (262.0)	12	—

CAT. #	DESCRIPTION	CUBIC INCHES (CM <sup>3</sup> )	RECOMMENDED MAX. LOADS		STD. PKG.	BAR CODE
			CEILING FAN (DYNAMIC) LBS.	FIXTURE (STATIC) LBS.		
<b>4-11/16" Square Fixture Covers</b>						
829	Raised 1/2", Open, Ears 2-3/4" O.C.	3.0 (49.6)	No	50	25	
835	Raised 5/8", Open, Ears 2-3/4" O.C.	4.0 (65.5)	No	50	25	—

CAT. #	DESCRIPTION	STD. PKG.	BAR CODE
<b>Low Voltage Partitions* for 1-1/2" Depth Boxes and 2-Device Covers</b>			
706RAC	Fits 1/4", 1/2", 3/4" or 1" Cover Depth (#777, 778, 8778, 779, 8779, 780)	25	—
708	Fits 1-1/4", 1-1/2" or 2" Cover Depth (#781, 8781, 795, 796)	25	—
<b>Low Voltage Partitions* for 2-1/8" Depth Boxes and 2-Device Covers</b>			
707RAC	Fits 1/4", 1/2", 3/4" or 1" Cover Depth (#777, 778, 8778, 779, 8779, 780)	25	—
709	Fits 1-1/4", 1-1/2" or 2" Cover Depth (#781, 8781, 795, 796)	25	—

\*Low voltage partitions are not UL Listed  
Boxes, covers, and partitions must be ordered separately.  
For 1-1/2" and 2-1/8" deep boxes with 5/8" cover, partition not available.  
Partitions are usable but not UL listed for 4-11/16" sq. box.

#### APPLICATIONS

- RACO® 4-11/16" raised device covers are for mounting switches or receptacles
- Raised fixture covers are used where fixtures will be installed
- Low voltage partitions may be added to conduit-type boxes to divide power from voice/data
- Partitions must be used with raised covers

#### PRODUCT FEATURES

- Red boxes, covers and extensions for dedicated life safety alarm circuits
- Partition divides 4" square boxes into two compartments
- Use partitions with two-device covers which have a slot for the partition
- Partition is scored so it can be broken at the proper depth of box and cover combination
- Helpful hint: Assemble the box with the partition in place before breaking off at the scored tab. This will prevent you from breaking off more tab than needed

#### COMPLIANCE

- LISTED

## SQUARE BOXES AND COVERS

### 4-11/16" SQUARE EXPOSED WORK COVERS



856



857



858



870RAC



878



887



888



959



972



979



881RAC



876

#### APPLICATIONS

- RACO® surface covers are used to support switches or receptacles in areas where the box is surface mounted or positioned in exposed work applications

#### PRODUCT FEATURES

- RACO® exposed work covers include required hardware for mounting the receptacle(s)
- RACO® Exposed work covers meet the requirements of the 2020 NEC Article 250.146 (A). No bonding jumper is required for covers with:
  - (1) Crushed corners
  - (2) Two or more device attachment fasteners that are permanent with thread-locking, screws, or nut-locking means
  - (3) A lockwasher or equivalent
- Hardware and cover are packed in a poly-bag with printed catalog number, compliances and installation instructions

#### COMPLIANCE

- LISTED

CATALOG #	DESCRIPTION	CUBIC IN. (CM <sup>3</sup> )	STD. PKG.	BAR CODE
<b>4-11/16" Exposed Work Covers</b>				
856	1 Decorator device or GFCI	10.3 (168.7)	10	
857	2 Decorator devices or GFCI	10.3 (168.7)	10	
858	1 Toggle Switch and 1 GFCI	10.3 (168.7)	10	
870RAC	1 Toggle Switch	10.3 (168.7)	10	
878	30-50A Receptacle 2.141" Dia.	10.3 (168.7)	10	
887	20A Receptacle 1.594" Dia.	10.3 (168.7)	10	
888	30-60A Receptacle 2.625" Dia.	10.3 (168.7)	10	
959	1 Duplex and 1 GFCI	10.3 (168.7)	10	
972	1 Duplex Receptacle	10.3 (168.7)	10	
979	2 Duplex Receptacles	10.3 (168.7)	10	
881RAC	2 Toggle Switches	10.3 (168.7)	10	
876	1 Toggle Switch and 1 Duplex Receptacle	10.3 (168.7)	10	



### LIFE SAFETY SUPPORT PRODUCTS - IMMEDIATE IDENTIFICATION



CAT. #	DESCRIPTION	CUBIC INCHES (CM <sup>3</sup> )	KNOCKOUTS		STD. PKG.	BAR CODE
			SIDES CONDUIT	BOTTOM CONDUIT		
<b>Life Safety Steel Wall Boxes and Extension Rings – Painted Red</b>						
911-9	1-1/2" Depth, Welded, 4" Square	21.0 (344.1)	(8) 1/2", (4) TKO	(2) 1/2", 2 TKO	50	—
911-6	1-1/2" Depth, 4" Square, Drawn Extension Ring	22.5 (368.7)	(8) 1/2", (4) 3/4"	—	50	—
911-12	2-1/8" Depth, Welded, 4-11/16" Square	42.0 (688.2)	(12) TKO	(1) 1/2", (3) TKO	25	—
911-3	2-1/8" Depth, Welded, 4" Square	30.3 (496.5)	(8) 1/2", (4) TKO	(3) 1/2", 2 TKO	25	—
911-4	2-1/8" Depth, Welded, 4" Square, FM Bracket	30.3 (496.5)	(6) 1/2", (3) TKO	(3) 1/2", 2 TKO	25	—
911-15	3-1/4" Depth Back Box, Welded, 4-11/16" Square	66.7 (1093.0)	(2) 1/2" - 3/4" TKO, (2) 1" - 1-1/4"TKO, (2) 1" - 2" Conc. KO	(2) 3/4" - 1" TKO, (2) 1/2" KO	10	—
911-2	3-1/2" Depth, Welded, 3-3/4" Square	45.0 (737.4)	(12) 1/2"-3/4" Concentric	(4) 1/2"-3/4" Concentric	25	—
911-1	3-1/2" Depth, Welded, 3-3/4" Square, FM Bracket	45.0 (737.4)	(10) 1/2"-3/4" Concentric	(4) 1/2"-3/4" Concentric	10	—

#### APPLICATIONS

- RACO® Red boxes and covers allow inspector or building owner to immediately identify alarm/fire or life safety systems

#### PRODUCT FEATURES

- 911-2, 911-1 boxes have 3-3/4" opening in wall that allows for a margin of error when using a standard 4" square cover
- 911-15 accepts all 4-11/16" square covers and mudrings

#### COMPLIANCE

- LISTED

SEE END OF SECTION (PG A78-A79) FOR DETAILED DRAWINGS >>

## SQUARE BOXES AND COVERS

### LIFE SAFETY SUPPORT PRODUCTS - IMMEDIATE IDENTIFICATION



911-16, 911-17



855, 859



911-8



911-11

#### APPLICATIONS

- RACO® Red boxes and covers allow inspector or building owner to immediately identify alarm/fire or life safety systems

#### PRODUCT FEATURES

- Red boxes, covers and extensions for dedicated life safety alarm circuits

#### COMPLIANCES

- LISTED

CATALOG #	DESCRIPTION	CUBIC IN. (CM <sup>3</sup> )	STD. PKG.	BAR CODE
<b>Life Safety Steel Wall Boxes Covers</b>				
911-16	4-11/16" Sq. x 4" Sq. Adapter, 5/8" Raised, Painted Red	8.3 (136.0)	25	—
911-17	4-11/16" Sq. x 4" Sq. Adapter, 1-1/4" Raised, Painted Red	16.0 (262.0)	12	—
855	4-11/16" Sq. x 4" Sq. Adapter, 5/8" Raised	8.3 (136.0)	25	—
859	4-11/16" Sq. x 4" Sq. Adapter, 1-1/4" Raised	16.0 (262.0)	12	—
911-8	4" Sq., Flat Blank Cover, Painted Red	—	50	—
911-11	4-11/16" Sq., Flat Blank Cover, Painted Red	—	50	—

#### APPLICATIONS

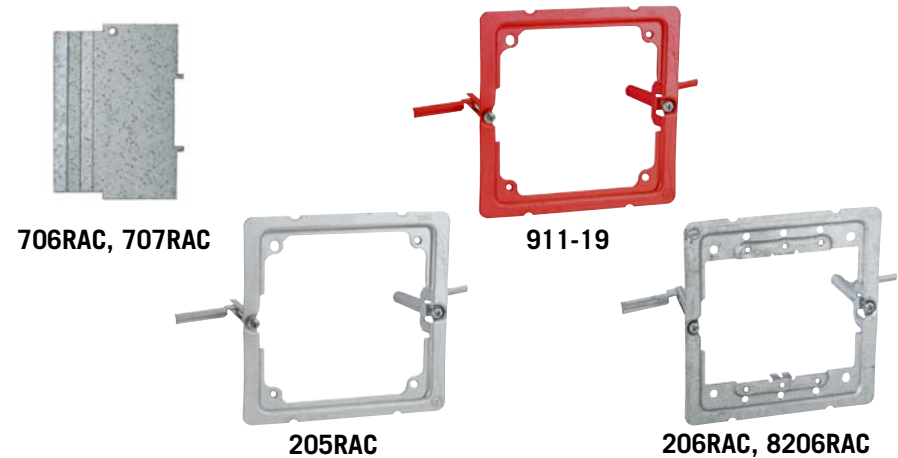
- Low voltage partitions may be added to conduit-type boxes to divide power from voice/data
- Partitions must be used with raised covers
- RACO® RETRO-RING® is used to position any depth, 4" square steel junction box in a sheet rock covered wall cavity
- Use 205RAC is used in old work life safety appliance installations
- 206RAC is used in old work installations where one or two devices are required

#### PRODUCT FEATURES

- RACO® RETRO-RING® works in 3/8" to 1-1/2" thick wall or ceiling applications
- Small footprint is covered by most popular life safety devices
- Steel old work wings allow for secure mounting of box and devices to wall
- Includes one wall template per carton
- 206RAC allows for installation of steel low voltage partition for power/data applications. One or two devices mount directly to 206RAC

#### COMPLIANCE

- LISTED



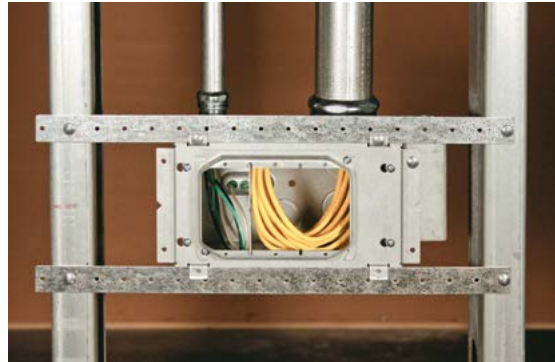
CATALOG #	DESCRIPTION	STD. PKG.	BAR CODE
<b>Low Voltage Box Partition</b>			
706RAC	Box Partition for RETRO-RING® and 1-1/2" Depth, 4" Sq. Box	25	—
707RAC	Box Partition for RETRO-RING® and 2-1/8" Depth, 4" Sq. Box	25	—
<b>Life Safety Steel Wall Box Mounting Brackets</b>			
205RAC	Old Work, 4" Sq. Box Mounting of Life Safety Support	20	—
206RAC	Old Work, 4" Sq. Box Mounting of One or Two Device Applications	20	—
8206RAC	Old Work, 4" Sq. Box Mounting of One or Two Device Applications	10	
911-19	Old Work, 4" Sq. Box Mounting of Life Safety Support, Painted Red	20	—

*\*Low voltage partitions are not UL Listed  
Boxes, covers, and partitions must be ordered separately.  
Partitions are usable but not UL listed for 4-11/16" sq. box.*





### LARGE CAPACITY BOXES FOR AUDIO, VIDEO, POWER AND DATA



260



260H



263



256



255

CAT. #	DESCRIPTION	CUBIC INCHES (CM <sup>3</sup> )	KNOCKOUTS		STD. PKG.	BAR CODE
			SIDES CONDUIT	BOTTOM CONDUIT		
<b>4-11/16" Large Capacity Steel Wall Boxes, 3-1/4" Deep – Welded with Conduit KO's</b>						
260	Raised Ground	66.7 (1093)	(2) 1/2" - 3/4" TKO, (2) 1" - 1-1/4"TKO, (2) 1" - 2" Conc. KO	(2) 3/4"- 1" TKO, (2) 1/2" KO	10	—
260H	Raised Ground, H Bracket For Side Support	66.7 (1093)	(2) 1/2" - 3/4" TKO, (2) 1" - 1-1/4"TKO, (2) 1" - 2" Conc. KO	(2) 3/4"- 1" TKO, (2) 1/2" KO	10	—
263	Raised Ground	113.3 (1856.6)	(6) 1/2" - 3/4" TKO, (2) 3/4" - 1" TKO, (2) 1" - 1-1/4"TKO, (2) 1" - 2" Conc. TKO	(2) 1/2"-3/4" TKO, (2) 3/4"- 1" TKO, (2) 1"- 1-1/4" TKO	6	—
<b>3-3/4" Square Large Capacity Steel Wall Boxes, 3-1/2" Deep – Welded with Conduit KO's</b>						
256	—	45.0 (737.4)	(12) 1/2"-3/4" Concentric	(4) 1/2"-3/4" Concentric	25	
255	FM Bracket	45.0 (737.4)	(10) 1/2"-3/4" Concentric	(4) 1/2"-3/4" Concentric	10	

#### APPLICATIONS

- RACO® Large capacity boxes are used for audio, video, data and power applications providing ample space for Cat 6A and fiber optic cable bends

#### 260 PRODUCT FEATURES

- Large capacity design measures 4-11/16" H x 4-11/16" W x 3-1/4" D
- Accepts standard 4-11/16" square device and flat covers
- Ground screws provided

#### 263 PRODUCT FEATURES

- Large capacity design measures 4-11/16" H x 7-3/4" W x 3-1/4" D
- Accepts standard 4" square device and flat covers or 792, 793, 794 3-gang device covers
- Built-in tabs allow for spanner bars
- Includes 1/2" thru 2" knockouts
- Accepts 981 voltage partition (UL Listed)
- Ground screws provided

#### 255 AND 256 PRODUCT FEATURES

- Large capacity design measures 3-3/4" H x 3-3/4" W x 3-1/2" D
- Accepts standard 4" square device and flat covers

#### COMPLIANCE

- LISTED

SEE END OF SECTION (PG A78, ) FOR DETAILED DRAWINGS >>

## SQUARE BOXES AND COVERS

### AV WALL BOXES

#### APPLICATIONS

- RACO® AV Wall Boxes provide an ideal solution for in-wall applications requiring data, AV and power
- Perfect for Category 6 and 6A fiber optic cables that require a larger bend radius
- Designed to install independently or ganged together to support multiple devices
- Accommodates industry standard wallplates

#### PRODUCT FEATURES

- 2-gang or 3-gang
- Knockouts from 1/2" up to 2"
- 4" depth accepts any device
- Concentric 1/2"-3/4" knockouts for pre-connectorized AV cables
- Eccentric 1/2"- 3/4" knockouts
- Raised ground provision in each gang
- Accepts low voltage partition
- NEMA spaced device mounting, accepts industry standard wallplates
- Adjustable stud mounting brackets built in to accommodate different stud and sheetrock thickness
- Adjustable far side support
- Suitable for masonry application

#### COMPLIANCE

- LISTED

#### APPLICATIONS

- RACO® Large capacity boxes are used for audio, video, data and power applications providing ample space for Cat 6A and fiber optic cable bends
- 792, 793 and 794 covers are solely for RACO® 263 data box. The 3-gang raised covers are 5/8", 3/4" and 1-1/4" raised respectively
- 855 is designed to reduce 4-11/16" square box to 4" sq. box openings

#### PRODUCT FEATURES

- Use with standard 4" square single or double mudrings or 3 gangs special covers (263)
- 855 provides flush mounting of lighting controllers, exit signs and life safety appliances
- Accepts UL Listed Voltage Partition, Cat. No. 981

#### COMPLIANCE

- LISTED



985



989



986

CAT. #	DESCRIPTION	CUBIC INCHES (CM <sup>3</sup> )	KNOCKOUTS			STD. PKG.	BAR CODE
			TOP	BOTTOM	BACK		
<b>4" Deep, Gangable AV Wall Boxes – For Data and Power</b>							
985	2-gang, 2" KO	54 (884.9)	(2)1/2", (2)1/2" - 3/4" TKO	(1) 1", 1-1/4", 1-1/2", 2	(2)1/2" - 3/4" TKO	10	
986	3-gang, 2"	79 (1294.5)	(3)1/2", (3)1/2" - 3/4" TKO	(1)1/2", (1)1/2" - 3/4" TKO, (1)1", 1-1/4" - 1-1/2", 2"	(3) 1/2" - 3/4" TKO	6	
989	Low voltage partition	—	—	—	—	25	

### COVERS AND PARTITIONS FOR LARGE CAPACITY BOXES



792



793



794



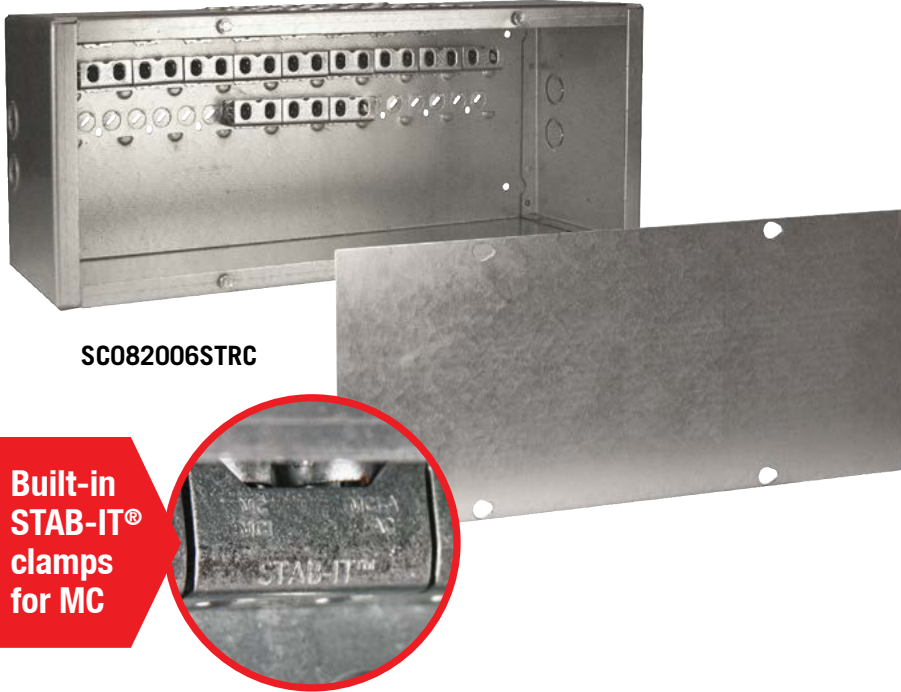
855, 859



981

CAT. #	DESCRIPTION	CUBIC IN. (CM <sup>3</sup> )	FITS CAT. #	STD. PKG.	BAR CODE
<b>3-Gang Raised Device Covers – For 263 Box</b>					
792	5/8" Raised	10.3 (168.8)	263	10	—
793	3/4" Raised	12.7 (208.1)	263	10	—
794	1-1/4" Raised	24.2 (396.6)	263	5	—
<b>2-Gang Raised Device Cover – For 4-11/16" Box</b>					
855	5/8" Raised, For Life Safety Appliances & Emergency Exit Signs	8.3 (136.0)	260 & 911-15	25	—
859	1-1/4" Raised, For Life Safety Appliances & Emergency Exit Signs	16.0 (262.0)	260 & 911-15	12	—
<b>Voltage Partition</b>					
981	For 5/8", 3/4", 1-1/4" covers for 260, 260H, & 263 boxes	—	260 & 263	25	—

DUGOUT TRANSITION BOX



SC082006STRC

Built-in STAB-IT® clamps for MC

**APPLICATIONS**

- RACO's Dugout box offers the quickest and easiest way to transition from flexible armored cable to conduit before entering the circuit panel. Specifically designed for commercial applications, the Dugout box builds on the popular concept of our Grand Slam box. This roomy rectangular model features plenty of space for wiring along with 21 of our built-in STAB-IT cable clamps, which hold up to 42 MC cables! Our unique clamps are field-proven to install up to 3X faster than traditional MC connectors. Four concentric knockouts are provided for either 1/2" or 3/4" conduit out to the circuit panel. For wall or ceiling mounting. The Dugout box offers more labor savings and installation flexibility than any other transition box on the market.

**PRODUCT FEATURES**

- Designed for quick installation of flex, MC, MCI, MCI-A, AC and HCF cable
- STAB-IT® clamp has been tested at over 3X's faster than traditional MC connectors
- Cover included
- Accepts cable sizes from 14/2 up to 10/3 for most cable types
- UL Listed
- Designed and assembled in the USA

**COMPLIANCE**

- LISTED

CATALOG #	DESCRIPTION	KNOCKOUTS	STAB-IT® CLAMPS	STD. PKG.	BAR CODE
<b>Transition Box with Built-in STAB-IT® Clamps</b>					
SC082006STRC	8" x 20" x 6" Transition Box & Cover	(4)1/2" & 3/4" Concentric	21 (14/2 to 10/3) up to 42 Cables	1	—



STAB-IT Connector

CAT. #	SIZE	STD. PKG.	BAR CODE
<b>STAB-IT® Connector</b>			
989ST	STAB-IT® Connector (accepts 2 cables)	50	—



## SQUARE BOXES AND COVERS

### GRAND SLAM BOX

**Built-in STAB-IT® clamps for MC**



#### APPLICATIONS

- RACO's Grand Slam Box is used to terminate home runs, branch circuits and other electrical wiring. It features RACO's patent-pending built-in STAB-IT® clamps for MC, and is designed specifically for commercial applications.

#### PRODUCT FEATURES

- Patented STAB-IT® clamp tested at over 3Xs faster than traditional MC connectors
- Use to install flex, MC, MCI, MCI-A, HFC, AC and EMT
- Ground bar included
- Concentric knockouts on side and back for easy access

#### COMPLIANCE

- LISTED



SC080803STRC



SC121204STRC



SC080803NKSTRC



SC121204NKSTRC

CAT. #	DESCRIPTION	SIZE	KNOCKOUTS	BUILT-IN STAB-IT® CLAMPS	STD. PKG.	CU.IN CAP.	BAR CODE
<b>Grand Slam Box</b>							
SC080803STRC	8" x 8" Junction Box (Surface Cvr. & Grnd. Bar Included)	8" x 8" x 3"	(12) 1/2" & 3/4" Concentric (5) 3/4" & 1" Concentric	4 (14/2 to 10/3) Up to 8 Cables	1	179	—
SC121204STRC	12" x 12" Junction Box (Surface Cvr. & Grnd. Bar Included)	12" x 12" x 4"	(12) 1/2" & 3/4" Concentric (9) 3/4" & 1" Concentric (8) 1" & 1-1/4" Concentric	6 (14/2 to 10/3) Up to 12 Cables	1	546	—
SC080803NKSTRC	8" x 8" Junction Box (Surface Cvr. & Grnd. Bar Included)	8" x 8" x 3"	—	4 (14/2 to 10/3) Up to 8 Cables	1	179	—
SC121204NKSTRC	12" x 12" Junction Box (Surface Cvr. & Grnd. Bar Included)	12" x 12" x 4"	—	6 (14/2 to 10/3) Up to 12 Cables	1	546	—



**Flush Mount Cover**  
(sold separately)



989ST

CAT. #	SIZE	STD. PKG.	BAR CODE
<b>Flush Mount Cover</b>			
SCF0808RC	8" x 8"	1	—
SCF1212RC	12" x 12"	1	—
989ST	STAB-IT® Connector (accepts 2 cables) Works with all Grand Slam boxes	50	—



### CEILING FAN AND FIXTURE SUPPORT PRODUCTS



295-1, 295



294-1, 294



296-1, 296



299



GORILLA-RING® 284

#### APPLICATIONS

- RACO® Ceiling Support Boxes are specifically designed for ceiling fan and ceiling or wall light fixture support per NEC 314.27(C)

#### PRODUCT FEATURES

- 1/2" side knockouts (294, 294-1, 296, 296-1 and 299)
- No protruding ground screw or fan mounting screws allows easy installation
- #10-32, 1" long ceiling fan screws provided and provision for #8-32 fixture mounting screw (294-1, 294, 296-1, 296 and 299)
- Setback tab allows for easy box installation of different wall thickness (294-1, 294)
- Metal protection plate eliminates debris or damage to wiring
- Easy to follow instructions and mounting hardware included

#### GORILLA RING® CONCRETE RING APPLICATION

- Concrete rings are used with poured deck (floor) in high-rise construction
- GORILLA RING features mounting screws that allow for safe and secure mounting of any chandeliers, or lighting fixtures 150 lbs. or less
- Double row of KO's allow greater installation flexibility with a minimum of bends or offsets for working around reinforcing rods

#### COMPLIANCE

- LISTED



CAT. #	DESCRIPTION	CUBIC INCHES (CM <sup>3</sup> )	KNOCKOUTS			RECOMMENDED MAX. LOADS		STD. PKG.	BAR CODE
			CABLE PRIOUTS	SIDES CONDUIT	BOTTOM CONDUIT	CEILING FAN (DYNAMIC) LBS.	FIXTURE (STATIC) LBS.		
<b>4" Round Ceiling Fan Pan – Drawn with Conduit KO's</b>									
295-1	1/2" Depth	6.0 (99.2)	INSIDER	—	(5) 1/2"	70	150	10	—
295*	1/2" Depth	6.0 (99.2)	INSIDER	—	(5) 1/2"	70	150	10	
<b>4" Round Ceiling Box – Drawn with Conduit KO's</b>									
294-1	2-1/8" Depth, Old and New Work	22.3 (365.4)	INSIDER	(2) 1/2"	(1) 1/2"	70	70/150**	10	—
294*	2-1/8" Depth, Old and New Work	22.3 (365.4)	INSIDER	(2) 1/2"	(1) 1/2"	70	70/150**	10	
296-1	1-1/2" Depth	15.8 (258.9)	INSIDER	(2) 1/2"	(3) 1/2"	70	150	20	—
296*	1-1/2" Depth	15.8 (258.9)	INSIDER	(2) 1/2"	(3) 1/2"	70	150	8	
299*	2-1/8" Depth	22.4 (367.1)	INSIDER	(2) 1/2"	(3) 1/2"	70	150	6	
<b>GORILLA-RING® – Concrete Ring for Ceiling Fan Support</b>									
284	4" Deep, Double Row Side Knockouts	49.3 (807.9)	—	(4) 3/4" (6) 1/2"	—	70	150	6	—

\* Packaged in a stackable, individual chipboard display cartons. Sold in master carton quantities only. Hubbell® RACO® does not break carton quantities on these items.

4714, THE INSIDER® will secure nonmetallic sheathed cable in 1/2" KO (See pg. B75).

\*\* New work applications rated at 150 lbs. Old work applications rated at 70 lbs.

## CEILING BOXES AND COVERS

### CEILING FAN AND FIXTURE SUPPORT PRODUCTS

#### APPLICATIONS

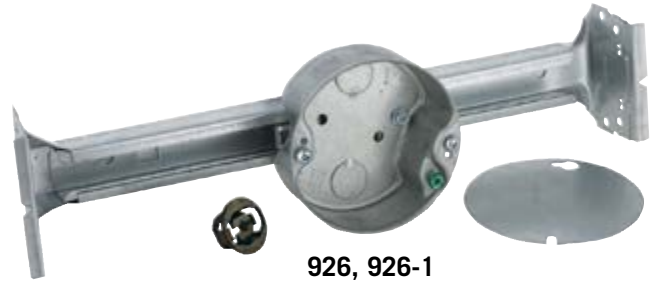
- RACO® KWIK-BRACE® is a heavy-duty ceiling fan brace designed for new or existing construction where joists are accessible
- RACO® RETRO-BRACE® is intended for installations of heavy lighting fixtures or ceiling paddle fans in old work or new work applications

#### PRODUCT FEATURES

- KWIK-BRACE®
  - Slides apart to accommodate joist spacing from 16" to 24", screws provided
  - #10-32 ceiling fan screws provided and #8-32 ceiling fixture mounting provisions
  - Metal protection plate included
  - Nail spurs for easy brace positioning
  - Easy installation, up front ground screws
  - Easy to follow instructions and mounting hardware included
- RETRO-BRACE®
  - Adjustable for joist spacing from 16" to 24"
  - Simple "tool free" expansion
  - Easy installation, up front ground screw
  - #10-32 ceiling fan screws provided and #8-32 ceiling fixture mounting provisions
  - Easy to follow instructions and mounting hardware included

#### COMPLIANCE

- LISTED



926, 926-1



936



937



939

CAT. #	DESCRIPTION	CUBIC INCHES (CM <sup>3</sup> )	KNOCKOUTS			RECOMMENDED MAX. LOADS				STD. PKG.	BAR CODE
			CABLE PRIOUTS	SIDES CONDUIT	BOTTOM CONDUIT	CEILING FAN (DYNAMIC) LBS.		FIXTURE (STATIC) LBS.			
						16" JOIST SPAN	24" JOIST SPAN	16" JOIST SPAN	24" JOIST SPAN		
<b>KWIK-BRACE® with Box – New Construction Braces for Lighting Fixtures or Ceiling Fans</b>											
926-1	1-1/2" Depth	15.8 (258.9)	INSIDER	—	(2) 1/2"	70	70	210	90	12	
926*	1-1/2" Depth	15.8 (258.9)	INSIDER	—	(2) 1/2"	70	70	210	90	6	
<b>RETRO-BRACE® with Box – Remodeling Kits for Lighting Fixtures or Ceiling Fans</b>											
936*	1-1/2" Depth	15.8 (258.9)	INSIDER	—	(2) 1/2"	70	35	110	50	6	
937*	2-1/8" Depth	22.4 (367.1)	INSIDER	—	(2) 1/2"	70	35	110	50	4	
939*	5/8" Depth	6.0 (98.4)	INSIDER	—	(2) 1/2"	70	35	110	50	6	

\* Packaged in a stackable, individual chipboard display cartons. Sold in master carton quantities only. Hubbell® RACO® does not break carton quantities on these items. 4714, THE INSIDER® will secure nonmetallic sheathed cable in 1/2" KO (See pg. B74).

SEE END OF SECTION (PG A79) FOR DETAILED DRAWINGS >>

### CEILING FAN AND FIXTURE SUPPORT PRODUCTS



#### APPLICATION

- GRID-BRACE™ ceiling support assembly is specifically designed for ceiling fan or fixture support for suspended ceilings

#### PRODUCT FEATURES

- Heavy-duty GRID-BRACE™ for 24" spans
- Turnbuckle and 4' chain section provided
- Yoke provided for threaded rod installation
- Mount box anywhere on sliding bracket
- Spacers provided for decorative ceiling tiles that are below the depth of metal grid for flush mounting of box
- #10-32 grade 5, 1" ceiling fan screws included
- Easy to follow instructions included

#### COMPLIANCE

- LISTED

CAT. #	DESCRIPTION	CUBIC INCHES (CM <sup>3</sup> )	KNOCKOUTS			RECOMMENDED MAX. LOADS		STD. PKG.	BAR CODE
			SIDES	BOTTOM CONDUIT	CEILING FAN (DYNAMIC) LBS.	FIXTURE (STATIC) LBS.			
<b>GRID-BRACE™ For Suspended Ceilings, 2-1/8" Deep</b>									
931	Ceiling Fan Support for Suspended Ceilings	22.3 (365.4)	(2) 1/2"	(2) Conc. 1/2" & 3/4"	70	70	4	IIIIIII	

### CEILING PANS



#### APPLICATION

- RACO® Ceiling Pans are used in the installation of ceiling or wall lighting fixtures

#### PRODUCT FEATURES

- Combination screw heads provide for faster installation

#### COMPLIANCE

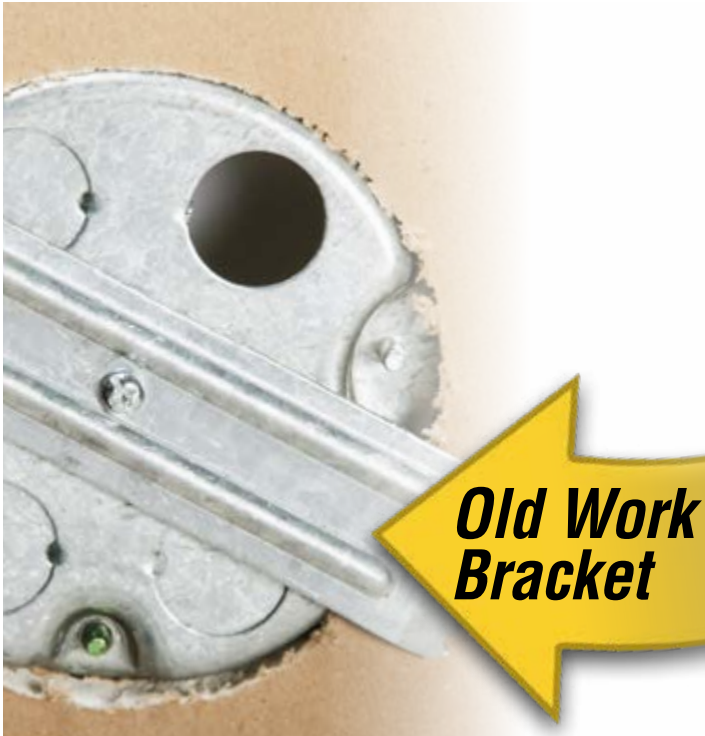
- LISTED

CAT. #	DESCRIPTION	CUBIC INCHES (CM <sup>3</sup> )	KNOCKOUTS			RECOMMENDED MAX. LOADS		STD. PKG.	BAR CODE
			CABLE PRIOUTS	SIDES CONDUIT	BOTTOM CONDUIT	CEILING FAN (DYNAMIC) LBS.	FIXTURE (STATIC) LBS.		
<b>3-1/2" Round Ceiling Pan – Drawn with Nonmetallic Sheathed Cable Clamps</b>									
292	1/2" Depth	4.0 (65.5)	4	—	(1) 1/2"	No	50	50	—
8292	1/2" Depth	4.0 (65.5)	4	—	(1) 1/2"	No	50	25	IIIIIII
287	3/4" Depth	5.0 (81.9)	4	—	(1) 1/2"	No	50	50	—
<b>4" Round Ceiling Pan – Drawn with Conduit KO's</b>									
293	1/2" Depth	6.0 (98.3)	—	—	(5) 1/2"	No	50	50	—
8293	1/2" Depth	6.0 (98.3)	—	—	(5) 1/2"	No	50	30	IIIIIII

SEE END OF SECTION (PG A79) FOR DETAILED DRAWINGS >>

CEILING BOXES AND COVERS

ROUND OLD WORK PANS



**APPLICATIONS**

- Shallow old work pan design is ideal for mounting fixtures in existing walls or ceilings with obstructions that limit depth

**PRODUCT FEATURES**

- Ideal pans for remodeling, two sizes
- Only 1/2" deep
- Flange and bracket mounts to 1/2" or 5/8" drywall without stud

**COMPLIANCE**

- LISTED



290



297

CAT. #	DESCRIPTION	CUBIC INCHES (CM <sup>3</sup> )	KNOCKOUTS	STD. PKG.	RECOMMENDED MAX. SUPPORT LOADS (FIXTURE)	BAR CODE
<b>Round, Old Work Pans – For Mounting Fixtures</b>						
290	3-1/2" Old Work Pan Box	3.8 (63.0)	2, 1/2"	10	6 Lbs.	
297	4" Old Work Pan Box	6.0 (98.4)	4, 1/2"	10	6 Lbs.	

SEE END OF SECTION (PG A79) FOR DETAILED DRAWINGS >>





### 3-1/2" OCTAGON BOXES – DRAWN



112



119

#### APPLICATIONS

- RACO® Octagon Boxes are used in the installation of ceiling or wall lighting fixtures

#### PRODUCT FEATURES

- Combination screw heads provide for faster installation
- Reference the Box Selection section in the front of this catalog for complete description of bracket types and features. Reference Table A7 for cable ranges

#### COMPLIANCE

- LISTED

CAT. #	DESCRIPTION	CUBIC INCHES (CM <sup>3</sup> )	KNOCKOUTS			RECOMMENDED MAX. LOADS		STD. PKG.	BAR CODE
			CABLE PRIOUTS	SIDES CONDUIT	BOTTOM CONDUIT	CEILING FAN (DYNAMIC) LBS.	FIXTURE (STATIC) LBS.		
<b>3-1/2" Octagon Box, 1-1/2" Deep – Drawn with Nonmetallic Sheathed Cable Clamps</b>									
112	—	11.8 (193.4)	4	(2) 1/2"	(1) 1/2"	No	50	25	
119	TS Bracket, 1/2"	11.8 (193.4)	4	(1) 1/2"	(1) 1/2"	No	50	25	



110



111

#### APPLICATIONS

- RACO® Octagon Boxes are used in the installation of ceiling or wall lighting fixtures
- Extension rings provide a means for adding additional cubic capacity or as an outlet box for surface conduit

#### PRODUCT FEATURES

- Combination screw heads provide for faster installation

#### COMPLIANCE

- LISTED

CAT. #	DESCRIPTION	CUBIC INCHES (CM <sup>3</sup> )	KNOCKOUTS			RECOMMENDED MAX. LOADS		STD. PKG.	BAR CODE
			CABLE PRIOUTS	SIDES CONDUIT	BOTTOM CONDUIT	CEILING FAN (DYNAMIC) LBS.	FIXTURE (STATIC) LBS.		
<b>3-1/2" Octagon Box, 1-1/2" Deep – Drawn with Conduit KO's</b>									
110	—	11.8 (193.4)	—	(4) 1/2"	(1) 1/2"	No	50	25	
<b>3-1/2" Octagon Extension Ring, 1-1/2" Deep – Drawn with Conduit KO's</b>									
111	—	11.8 (193.4)	—	(4) 1/2"	—	No	—	25	

SEE END OF SECTION (PG A80) FOR DETAILED DRAWINGS >>



## CEILING BOXES AND COVERS

### 4" OCTAGON BOXES AND EXTENSION RINGS – DRAWN WITH CONDUIT KO'S

#### APPLICATIONS

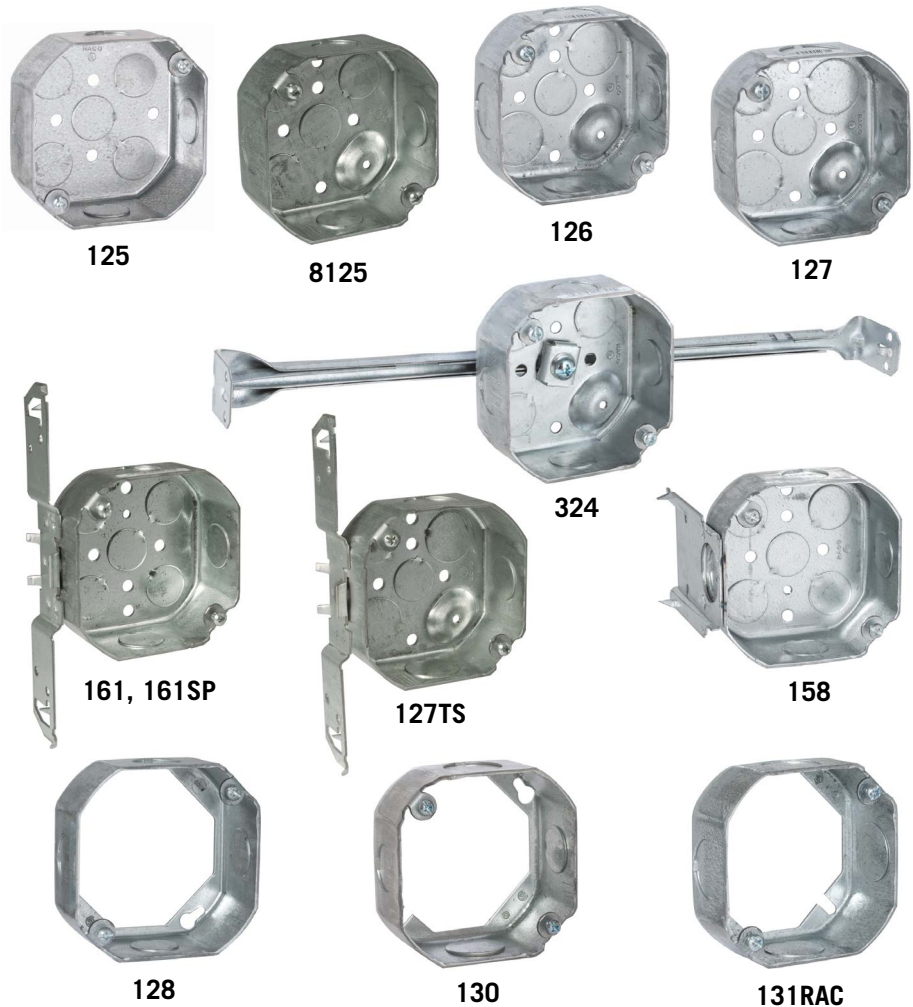
- RACO® Octagon Boxes are used in the installation of ceiling or wall lighting fixtures
- Extension rings provide a means for adding additional cubic capacity or as an outlet box for surface conduit

#### PRODUCT FEATURES

- Combination screw heads provide for faster installation
- Reference the Box Selection section in the front of this catalog for complete description of bracket types and features
- Fixture bar hanger allows box to be located anywhere along length of bar

#### COMPLIANCE

- LISTED



CAT. #	DESCRIPTION	CUBIC INCHES (CM <sup>3</sup> )	KNOCKOUTS		RECOMMENDED MAX. LOADS		STD. PKG.	BAR CODE
			SIDES CONDUIT	BOTTOM CONDUIT	CEILING FAN (DYNAMIC) LBS.	FIXTURE (STATIC) LBS.		
<b>4" Octagon Box, 1-1/2" Deep – Drawn with Conduit KO's</b>								
125	—	15.5 (254.0)	(4) 1/2"	(5) 1/2"	No	50	50	—
8125	Raised Ground	15.5 (254.0)	(4) 1/2"	(4) 1/2"	No	50	30	
126	Raised Ground	15.5 (254.0)	(4) 3/4"	(2) 1/2", (2) 3/4"	No	50	50	
127	Raised Ground	15.5 (254.0)	(2) 1/2", (2) 3/4"	(2) 1/2", (2) 3/4"	No	50	25	
127TS	Raised Ground, TS Bracket, 1/2" Setback	15.5 (254.0)	(1) 1/2", (2) 3/4"	(2) 1/2", (2) 3/4"	No	50	25	
158	J Bracket, 3/8" or 1/2" Setback	15.5 (254.0)	(4) 1/2"	(5) 1/2"	No	50	50	
161	TS Bracket, 1/2" Setback	15.5 (254.0)	(3) 1/2"	(5) 1/2"	No	50	25	
161SP	TS Bracket, 1/2" Setback	15.5 (254.0)	(3) 1/2"	(5) 1/2"	No	50	12	
324	Raised Ground, Box with 14-1/4" to 22-1/2" Bar Hanger	15.5 (254.0)	(4) 1/2"	(3) 1/2"	No	10*	25	
<b>4" Octagon Extension Rings, 1-1/2" Deep – Drawn with Conduit KO's</b>								
128	—	15.5 (254.0)	(4) 1/2"	—	No	50	25	
130	—	15.5 (254.0)	(2) 1/2", (2) 3/4"	—	No	50	25	
131RAC	—	15.5 (254.0)	(4) 3/4"	—	No	50	25	

\* 10 lbs max. load recommended. UL Rated for 50 lbs on 16" centers.

SEE END OF SECTION (PG A80) FOR DETAILED DRAWINGS >>





### 4" OCTAGON DEEP BOXES – DRAWN WITH CONDUIT KO'S



165



166



167



167TS

#### APPLICATIONS

- RACO® Octagon Boxes are used in the installation of ceiling or wall lighting fixtures

#### PRODUCT FEATURES

- Combination screw heads provide for faster installation
- Reference the Box Selection section in the front of this catalog for complete description of bracket types and features

#### COMPLIANCE

- LISTED

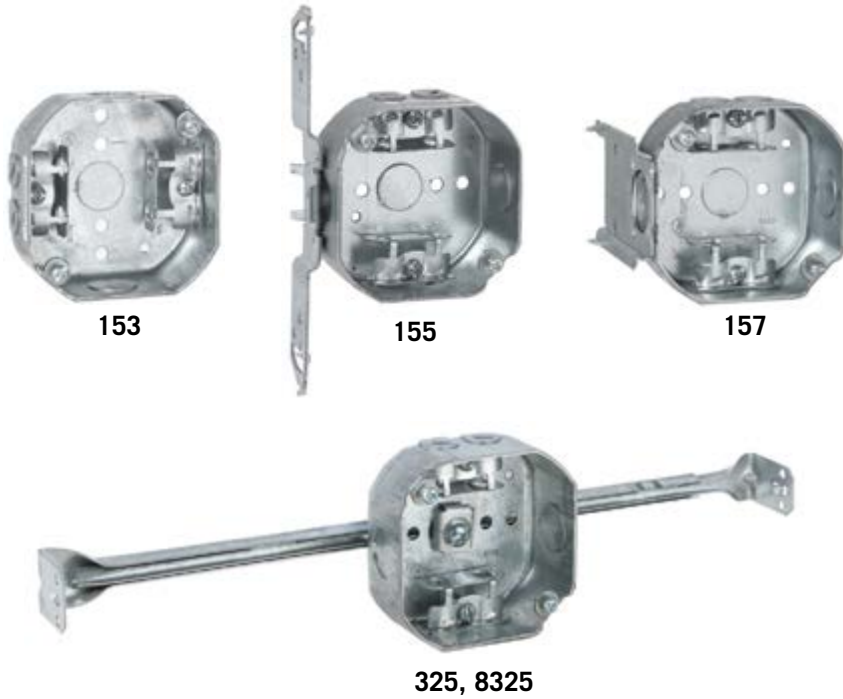
CAT. #	DESCRIPTION	CUBIC INCHES (CM <sup>3</sup> )	KNOCKOUTS		RECOMMENDED MAX. LOADS		STD. PKG.	BAR CODE
			SIDES CONDUIT	BOTTOM CONDUIT	CEILING FAN (DYNAMIC) LBS.	FIXTURE (STATIC) LBS.		
<b>4" Octagon Box, 2-1/8" Deep – Drawn with Conduit KO's</b>								
165	—	21.5 (352.3)	(4) 1/2"	(5) 1/2"	No	50	50	
166	—	21.5 (352.3)	(4) 3/4"	(3) 1/2", (2) 3/4"	No	50	50	—
167	—	21.5 (352.3)	(2) 1/2", (2) 3/4"	(3) 1/2", (2) 3/4"	No	50	25	—
167TS	TS Bracket, 1/2" Setback	21.5 (352.3)	(1) 1/2", (2) 3/4"	(3) 1/2", (2) 3/4"	No	50	25	—

SEE END OF SECTION (PG A80) FOR DETAILED DRAWINGS >>



## CEILING BOXES AND COVERS

### 4" OCTAGON BOXES – DRAWN WITH ARMORED CABLE / METAL CLAD / FLEX CLAMPS



#### APPLICATIONS

- RACO® Octagon Boxes are used in the installation of ceiling or wall lighting fixtures

#### PRODUCT FEATURES

- RACO® offers a variety of labor saving mounting brackets that allow for easy positioning of box along studs or joists
- Reference the Box Selection section in the front of this catalog for complete description of bracket types and features
- Fixture bar hanger allows box to be located anywhere along length of bar

#### COMPLIANCE

- LISTED

CAT. #	DESCRIPTION	CUBIC INCHES (CM <sup>3</sup> )	KNOCKOUTS			RECOMMENDED MAX. LOADS		STD. PKG.	BAR CODE
			CABLE PRIORTS	SIDES CONDUIT	BOTTOM CONDUIT	CEILING FAN (DYNAMIC) LBS.	FIXTURE (STATIC) LBS.		
<b>4" Octagon Box, 1-1/2" Deep – Drawn with Armored Cable/Metal Clad/Flex Clamps</b>									
153	—	15.5 (254.0)	4	(2) 1/2"	(1) 1/2"	No	50	25	
155	TS Bracket, 1/2" Setback	15.5 (254.0)	4	(1) 1/2"	(1) 1/2"	No	50	50	
157	J Bracket, 3/8" or 1/2" Setback	15.5 (254.0)	4	(2) 1/2"	(1) 1/2"	No	50	50	
325	Box with 14-1/4" to 22-1/2" bar hanger	15.5 (254.0)	4	(2) 1/2"	—	No	10*	25	—
8325	Box with 14-1/4" to 22-1/2" bar hanger	15.5 (254.0)	4	(2) 1/2"	—	No	10*	25	

\* 10 lbs max. load recommended. UL Rated for 50 lbs on 16" centers.

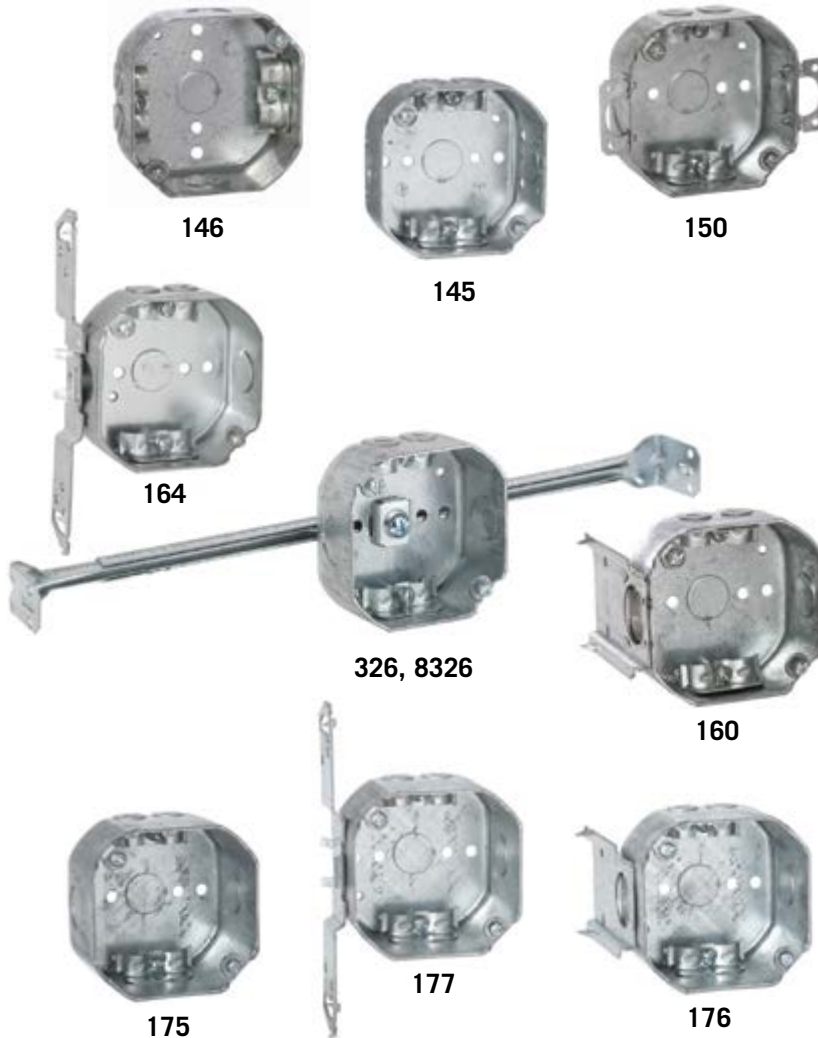
SEE END OF SECTION (PG A80) FOR DETAILED DRAWINGS >>







### 4" OCTAGON BOXES – DRAWN WITH NONMETALLIC SHEATHED CABLE CLAMPS



#### APPLICATIONS

- RACO® Octagon Boxes are used in the installation of ceiling or wall lighting fixtures

#### PRODUCT FEATURES

- RACO® offers a variety of labor saving mounting brackets that allow for easy positioning of box along studs or joists
- Reference the Box Selection section in the front of this catalog for complete description of bracket types and features
- Fixture bar hanger allows box to be located anywhere along length of bar
- Combination screw heads provide for faster installation

#### COMPLIANCE

- LISTED

CAT. #	DESCRIPTION	CUBIC INCHES (CM <sup>3</sup> )	KNOCKOUTS			RECOMMENDED MAX. LOADS		STD. PKG.	BAR CODE
			CABLE PRIOUTS	SIDES CONDUIT	BOTTOM CONDUIT	CEILING FAN (DYNAMIC) LBS.	FIXTURE (STATIC) LBS.		
<b>4" Octagon Box, 1-1/2" Deep – Drawn with Nonmetallic Sheathed Cable Clamps</b>									
146	—	15.5 (254.0)	4	(2) 1/2"	(1) 1/2"	No	50	25	
145	Side holes, 1/8" and 1/4"	15.5 (254.0)	4	(2) 1/2"	(1) 1/2"	No	50	50	—
150	Plaster Ears	15.5 (254.0)	4	(2) 1/2"	(1) 1/2"	No	50	25	
160	J Bracket, 3/8" or 1/2" Setback	15.5 (254.0)	4	(2) 1/2"	(1) 1/2"	No	50	25	
164	TS Bracket, 1/2" Setback	15.5 (254.0)	4	(1) 1/2"	(1) 1/2"	No	50	25	
326	Box with 14-1/4" to 22-1/2" bar hanger	15.5 (254.0)	4	(2) 1/2"	—	No	10*	25	—
8326	Box with 14-1/4" to 22-1/2" bar hanger	15.5 (254.0)	4	(2) 1/2"	—	No	10*	25	
<b>4" Octagon Box, 2-1/8" Deep – Drawn with Nonmetallic Sheathed Cable Clamps</b>									
175	—	21.5 (352.3)	4	(2) 1/2"	(1) 1/2"	No	50	25	
176	J Bracket, 5/8" Setback	21.5 (352.3)	4	(2) 1/2"	(1) 1/2"	No	50	25	
177	TS Bracket, 1/2" Setback	21.5 (352.3)	4	(1) 1/2"	(1) 1/2"	No	50	25	—

\* 10 lbs max. load recommended. UL Rated for 50 lbs on 16" centers.

SEE END OF SECTION (PG A80) FOR DETAILED DRAWINGS >>

## CEILING BOXES AND COVERS

### ROUND COVERS FOR 3-1/2" AND 4" OCTAGON BOXES



703, 8703-5



894KH



727, 732, 737

#### APPLICATION

- Covers are used to close an outlet box
- Raised covers are used for mounting lighting fixtures

#### PRODUCT FEATURES

- Combination screw heads provide for faster installation
- Swivel cover restricted to 20° swing from vertical
- KWIK-HANG® allows easy installation of high bay lighting fixtures. Fixture rests in position while wiring is completed

#### COMPLIANCE

- LISTED

CAT. #	DESCRIPTION	CUBIC INCHES (CM <sup>3</sup> )	RECOMMENDED MAX. LOADS		STD. PKG.	BAR CODE
			CEILING FAN (DYNAMIC) LBS.	FIXTURE (STATIC) LBS.		
<b>3-1/2" Round Cover</b>						
703	Flat, 1/2" KO In Center	—	No	—	25	
8703-5*	Flat, 1/2" KO In Center	—	No	—	50	
<b>3-1/2" or 4" Swivel Fixture, Support Covers</b>						
894KH	Kwik-Hang®, For 4" Octagon Boxes, 1/2" or 3/4" Conduit	—	No	50	25	
<b>4" Round Raised Cover</b>						
737	Raised 1/2", Open, Ears 2-3/4" O.C.	3.3 (54.1)	No	50	25	
727	Raised 5/8", Open, Ears 2-3/4" O.C.	3.8 (62.2)	No	50	25	
732	Raised 1", Open, Ears 2-3/4" O.C.	6.5 (106.5)	No	50	25	—

\*5 Bundles of 10 – sold in carton quantities only

### OCTAGON AND ROUND COVERS



722, 8722-5



724, 8724-5



725



729



731, 8731-5



5652-1



5653-1



5654-1

CATALOG #	DESCRIPTION	PKG. TYPE	STD. PKG.	BAR CODE
<b>4" Octagon and Round Covers</b>				
722	Flat, blank	—	50	
8722-5*	Flat, blank	—	50	
724	Flat, 1/2" KO	—	25	
8724-5*	Flat, 1/2" KO	—	50	
725	Flat, 3/4" KO	—	25	
729	Flat, toggle switch	—	50	
731	Flat, duplex receptacle	—	25	
8731-5*	Flat, duplex receptacle	—	50	
<b>5" Round Steel Closure Plates</b>				
5652-1	Off-white, screw and universal mount strap	Shrink	10	—
5653-1	Off-white, (2) 8-32 screws, direct mount to fixture outlet box	Shrink	10	—
5654-1	Off-white, fixture stud and universal mount strap	Shrink	10	—

#### APPLICATIONS

- Covers are used to close an outlet box
- Switches or receptacles may be installed into octagon boxes by using covers 729 or 731

#### PRODUCT FEATURES

- 5" round covers feature state-of-the-art powder coat paint finish which provides a light texture finish and scratch resistance

#### COMPLIANCE

- LISTED

\*5 Bundles of 10 – sold in carton quantities only



## HANDY BOXES

### SINGLE DEVICE HANDY BOXES AND EXTENSION RINGS



650, 8650,  
650CSA



660, 8660



655



611



653



661, 661SP



662, 662SP



663, 8663



666



665

#### APPLICATIONS

- RACO® Handy boxes, also called utility boxes, are used for convenience outlets, switch boxes or small junction boxes
- They are popular for exposed work applications (surface mounted wiring)
- The NEC requires that surface-mounted wiring be enclosed with a protective covering such as EMT conduit

#### PRODUCT FEATURES

- Reference the Box Selection section in the front of this catalog for complete description of bracket types and features

#### COMPLIANCE

- LISTED
- All RACO UL listed steel boxes are acceptable for use in 2 hr. fire rated floor-ceiling and roof-ceiling assemblies, as well as 2 hr. fire rated bearing and non-bearing wood stud and steel stud walls. For additional information consult Fire Resistance Ratings ANSI/UL 263, Sec. III-6

CAT. #	DESCRIPTION	CUBIC INCHES (CM <sup>3</sup> )	KNOCKOUTS			STD. PKG.	BAR CODE
			SIDES CONDUIT	ENDS CONDUIT	BOTTOM CONDUIT		
<b>4" x 2" Handy Boxes, 1-1/2" Deep – Welded with Conduit KO's</b>							
650	—	11.5 (188.5)	(6) 1/2"	(2) 1/2"	(3) 1/2"	50	—
8650	—	11.5 (188.5)	(6) 1/2"	(2) 1/2"	(3) 1/2"	25	
650CSA	With Ground Screw Driven	11.5 (188.5)	(6) 1/2"	(2) 1/2"	(3) 1/2"	50	—
655	B Bracket, 1/4" Setback	11.5 (188.5)	(3) 1/2"	(2) 1/2"	(3) 1/2"	50	—
<b>4" x 2" Handy Box Extension Rings, 1-1/2" Deep – Welded with Conduit KO's</b>							
653	—	11.5 (188.5)	(6) 1/2"	(2) 1/2"	—	25	
<b>4" x 2" Handy Boxes, 1-7/8" Deep – Drawn with Conduit KO's</b>							
660	Raised Ground	13.0 (213.0)	(6) 1/2"	(2) 1/2"	(2) 1/2"	50	—
8660	Raised Ground	13.0 (213.0)	(6) 1/2"	(2) 1/2"	(2) 1/2"	50	
611	Raised Ground, With Ground Screw Driven	13.0 (213.0)	(6) 1/2"	(2) 1/2"	(2) 1/2"	50	—
661	Raised Ground, A Bracket, 5/8" Setback	13.0 (213.0)	(3) 1/2"	(2) 1/2"	(3) 1/2"	25	
661SP	Raised Ground, A Bracket, 5/8" Setback	13.0 (213.0)	(3) 1/2"	(2) 1/2"	(3) 1/2"	18	
662	Raised Ground, TS Bracket, 1/2" Setback	13.0 (213.0)	(3) 1/2"	(2) 1/2"	(3) 1/2"	25	
662SP	Raised Ground, TS Bracket, 1/2" Setback	13.0 (213.0)	(3) 1/2"	(2) 1/2"	(3) 1/2"	18	
663	Raised Ground	13.0 (213.0)	(4) 3/4"	(2) 3/4"	(1) 3/4"	50	—
8663	Raised Ground, 1-7/8" Depth (inside),	13.0 (213.0)	(4) 3/4"	(2) 3/4"	(1) 3/4"	25	
666	Raised Ground	13.0 (213.0)	(6) 1/2"	(1) 1/2" (1) 3/4"	—	50	—
<b>4" x 2" Handy Box Extension Rings, 1-7/8" Deep – Drawn with Conduit KO's</b>							
665	—	13.0 (213.0)	(6) 1/2"	(2) 1/2"	—	20	

SEE END OF SECTION (PG A81) FOR DETAILED DRAWINGS >>





### SINGLE DEVICE HANDY BOXES AND COVERS



CAT. #	DESCRIPTION	CUBIC INCHES (CM <sup>3</sup> )	KNOCKOUTS			STD. PKG.	BAR CODE
			SIDES CONDUIT	ENDS CONDUIT	BOTTOM CONDUIT		
<b>4" x 2" Handy Boxes, 2-1/8" Deep – Welded with Conduit KO's</b>							
670RAC	—	16.5 (270.4)	(6) 1/2"	(2) 1/2"	(3) 1/2"	50	—
8670	—	16.5 (270.4)	(6) 1/2"	(2) 1/2"	(3) 1/2"	25	
674	—	16.5 (270.4)	(4) 3/4"	(2) 3/4"	(2) 3/4"	50	
678	TS Bracket, 1/2" Setback	16.5 (270.4)	(3) 1/2"	(2) 1/2"	(3) 1/2"	25	
671	A Bracket, 5/8" Setback	16.5 (270.4)	(3) 1/2"	(2) 1/2"	(3) 1/2"	50	
<b>3-3/4" x 1-9/16" Industrial Handy Box and Cover – Drawn with Conduit KO's</b>							
640	1-1/2" Depth	7.3 (119.6)	(6) 1/2"	(2) 1/2"	(3) 1/2"	50	—
880	Blank Cover with Captive Screws	—	—	—	—	50	—

#### APPLICATIONS

- RACO® Handy boxes, also called utility boxes, are used for convenience outlets, switch boxes or small junction boxes
- They are popular for exposed work applications (surface mounted wiring)
- The NEC requires that surface-mounted wiring be enclosed with a protective covering such as EMT conduit
- RACO® Handy Box covers are used to close a Handy Box
- Covers also may be used as single gang wall plates

#### PRODUCT FEATURES

- Reference the Box Selection section in the front of this catalog for complete description of bracket types and features
- RACO® Handy Box covers are designed to match the contours of the box
- Cover corners are rounded
- All covers have captive screws

#### COMPLIANCE

- LISTED
- All RACO UL listed steel boxes are acceptable for use in 2 hr. fire rated floor-ceiling and roof-ceiling assemblies, as well as 2 hr. fire rated bearing and non-bearing wood stud and steel stud walls. For additional information consult Fire Resistance Ratings ANSI/UL 263, Sec. III-6

CATALOG #	DESCRIPTION	STD. PKG.	BAR CODE
<b>4" x 2" Handy Box Covers – 2-5/16" Wide x 4-3/16" Length</b>			
860	Blank	25	
860RD	Blank, Red	25	
861	1/2" KO, Centered	25	
862	GFCI	25	
865	Toggle Switch	25	
864	Duplex Receptacle	25	
863	Single Receptacle, 1.406" Dia.	25	
867	20A Receptacle, 1.594" Dia.	25	

SEE END OF SECTION (PG A81) FOR DETAILED DRAWINGS >>



## HANDY BOXES

### TWO DEVICE HANDY / SWITCH BOXES AND COVERS



#### APPLICATIONS

- Installers can save time and cut installation costs with two gang switch boxes
- Larger capacity boxes are ideal for today's designs where there is a need to install two devices at one location
- Drawn boxes are ideal for exposed work applications (surface mounted wiring)

#### PRODUCT FEATURES

- 681, 685 bracketed boxes are set back 1/2" eliminating the need for a plaster ring
- Reference the Box Selection section in the front of this catalog for complete description of bracket and clamp types and features
- 871, 872 and 873 covers are unpainted and manufactured from pre-galvanized steel

#### COMPLIANCE

- LISTED
- All RACO UL listed steel boxes are acceptable for use in 2 hr. fire rated floor-ceiling and roof-ceiling assemblies, as well as 2 hr. fire rated bearing and non-bearing wood stud and steel stud walls. For additional information consult Fire Resistance Ratings ANSI/UL 263, Sec. III-6

CAT. #	DESCRIPTION	CUBIC INCHES (CM <sup>3</sup> )	KNOCKOUTS		STD. PKG.	BAR CODE
			SIDES CONDUIT	BOTTOM CONDUIT		
<b>4" Square Two Device Switch Boxes, 2-1/8" Deep – Drawn with Conduit KO's</b>						
680	—	30.3 (496.5)	(12) 1/2"	(5) 1/2"	25	
683	—	30.3 (496.5)	(8) 1/2", (4) 3/4"	(3) 1/2", (2) 3/4"	25	
683SP	—	30.3 (496.5)	(8) 1/2", (4) 3/4"	(3) 1/2", (2) 3/4"	10	
681	TS Bracket, 1/2" Setback	30.3 (496.5)	(9) 1/2"	(5) 1/2"	25	
681SP	TS Bracket, 1/2" Setback	30.3 (496.5)	(9) 1/2"	(5) 1/2"	8	
685	TS Bracket, 1/2" Setback	30.3 (496.5)	(6) 3/4"	(3) 1/2", (2) 3/4"	25	
685SP	TS Bracket, 1/2" Setback	30.3 (496.5)	(6) 3/4"	(3) 1/2", (2) 3/4"	8	
<b>4" Square – Two Device Wall Plates</b>						
871	2 Toggle Switches, 1/4" Raised from Surface	—	—	—	25	
872	1 Duplex and 1 Toggle Switch, 1/4" Raised from Surface	—	—	—	25	
873	2 Duplex Receptacles, 1/4" Raised from Surface	—	—	—	25	

SEE END OF SECTION (PG A81) FOR DETAILED DRAWINGS >>



### 3" x 2" SWITCH BOXES – WITH CONDUIT KO'S



400



420



500, 8500



501



503



502



504, 8504



505



506



509



508



599

#### APPLICATIONS

- RACO® Switch boxes are used to house wiring devices such as switches or outlets

#### PRODUCT FEATURES

- Reference the Box Selection section in the front of this catalog for complete description of bracket types and features
- Gangable switch boxes offer the option of constructing a box to hold two or more devices
- Plaster ears allow box to be used in "old work" applications

#### COMPLIANCE

- LISTED
- All RACO UL listed steel boxes are acceptable for use in 2 hr. fire rated floor-ceiling and roof-ceiling assemblies, as well as 2 hr. fire rated bearing and non-bearing wood stud and steel stud walls. For additional information consult Fire Resistance Ratings ANSI/UL 263, Sec. III-6

CAT. #	DESCRIPTION	CUBIC INCHES (CM <sup>3</sup> )	KNOCKOUTS				STD. PKG.	BAR CODE
			SIDES CONDUIT	ENDS CABLE	ENDS CONDUIT	BOTTOM CONDUIT		
<b>1-1/2" Deep Switch Box – Gangable with Conduit KO's</b>								
400	Plaster Ears	7.5 (122.9)	—	—	(2) 1/2"	(1) 1/2"	20	
<b>2" Deep Switch Box – Gangable with Conduit KO's</b>								
420	Plaster Ears	10.0 (163.9)	(4) 1/2"	—	(2) 1/2"	(2) 1/2"	20	
<b>2-1/2" Deep Switch Box – Gangable with Conduit KO's</b>								
500	Plaster Ears	12.5 (204.8)	(4) 1/2"	—	(2) 1/2"	(2) 1/2"	50	—
8500	Plaster Ears	12.5 (204.8)	(4) 1/2"	—	(2) 1/2"	(2) 1/2"	25	
501	No Plaster Ears	12.5 (204.8)	(4) 1/2"	—	(2) 1/2"	(2) 1/2"	50	—
503	Plaster Ears	12.5 (204.8)	(4) 1/2"	—	(2) 3/4"	(2) 1/2"	50	—
502	B Bracket, 5/8" Setback	12.5 (204.8)	(4) 1/2"	—	(2) 1/2"	(2) 1/2"	10	
504	TS Bracket, 1/2" Setback	12.5 (204.8)	(2) 1/2"	—	(2) 1/2"	(2) 1/2"	50	—
8504	TS Bracket, 1/2" Setback	12.5 (204.8)	(2) 1/2"	—	(2) 1/2"	(2) 1/2"	20	
505	TS Bracket, 1/2" Setback	12.5 (204.8)	(2) 1/2"	—	(2) 3/4"	(2) 1/2"	50	—
506	Old Work TIGERGRIP® Plaster Ears	12.5 (204.8)	—	—	(2) 1/2"	(2) 1/2"	16	
509	Old Work, Plaster Ears	12.5 (204.8)	—	—	(2) 1/2"	(2) 1/2"	20	
<b>2-1/2" Deep Switch Box – Nongangable with Conduit KO's</b>								
508	Old Work, 3/4" Sheet Rock Max., Plaster Ears	12.5 (204.8)	—	—	(2) 1/2"	—	20	
<b>2-1/2" Gangable Switch Box Partition – Divides boxes into compartments</b>								
599	For All 2-1/2" Deep Gangable Switch Boxes	—	—	—	—	—	20	

SEE END OF SECTION (PG A82) FOR DETAILED DRAWINGS >>



## SWITCH BOXES

### 3" x 2" SWITCH BOXES – WITH CONDUIT KO'S

#### APPLICATIONS

- RACO® Switch boxes are used to house wiring devices such as switches or outlets

#### PRODUCT FEATURES

- Reference the Box Selection section in the front of this catalog for complete description of bracket types and features
- Gangable switch boxes offer the option of constructing a box to hold two or more devices
- Plaster ears allow box to be used in “old work” applications

#### COMPLIANCE

- LISTED
- All RACO UL listed steel boxes are acceptable for use in 2 hr. fire rated floor-ceiling and roof-ceiling assemblies, as well as 2 hr. fire rated bearing and non-bearing wood stud and steel stud walls. For additional information consult Fire Resistance Ratings ANSI/UL 263, Sec. III-6



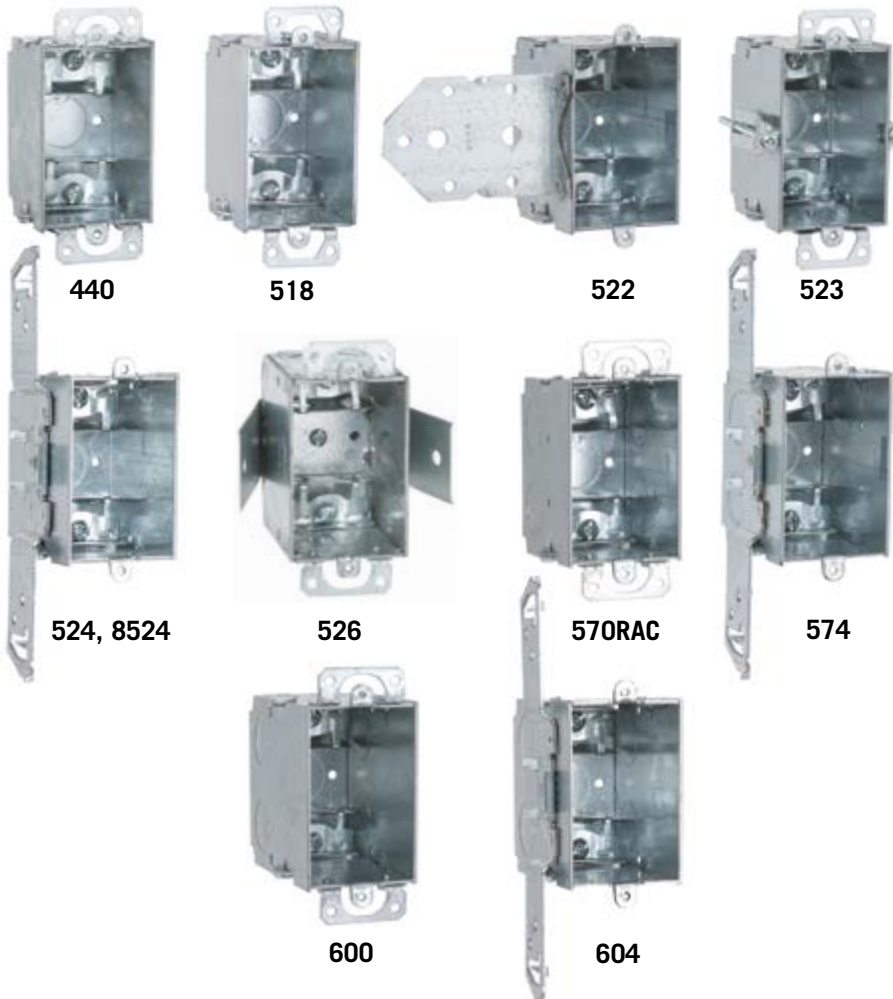
CAT. #	DESCRIPTION	CUBIC INCHES (CM <sup>3</sup> )	KNOCKOUTS				STD. PKG.	BAR CODE
			SIDES CONDUIT	ENDS CABLE	ENDS CONDUIT	BOTTOM CONDUIT		
<b>2-3/4" Deep Switch Box – Nongangable with Conduit KO's</b>								
560	Plaster Ears	14.0 (229.4)	(4) 1/2"	—	(2) 1/2"	(2) 1/2"	25	
565	Plaster Ears	14.0 (229.4)	(4) 3/4"	—	(2) 3/4"	(2) 1/2"	50	—
561	No Plaster Ears	14.0 (229.4)	(4) 1/2"	—	(2) 1/2"	(2) 1/2"	50	—
562	TS Bracket, 1/2" Setback	14.0 (229.4)	(2) 1/2"	—	(2) 1/2"	(2) 1/2"	50	—
<b>3-1/2" Deep Switch Box – Gangable with Conduit KO's</b>								
590	Plaster Ears	18.0 (295.0)	(4) 1/2"	—	(4) 1/2"	(1) 1/2"	50	—
8590	Plaster Ears	18.0 (295.0)	(4) 1/2"	—	(4) 1/2"	(1) 1/2"	25	
591	Plaster Ears	18.0 (295.0)	(4) 3/4"	—	(4) 3/4"	(1) 1/2"	50	
592	No Plaster Ears	18.0 (295.0)	(4) 1/2"	—	(4) 1/2"	(1) 1/2"	50	—

SEE END OF SECTION (PG A82) FOR DETAILED DRAWINGS >>





## 3" x 2" SWITCH BOXES – WITH ARMORED CABLE / METAL CLAD / FLEX CLAMPS



### APPLICATIONS

- RACO® Switch boxes are used to house wiring devices such as switches or outlets

### PRODUCT FEATURES

- Gangable switch boxes offer the option of constructing a box to hold two or more devices
- Plaster ears allow box to be used in "old work" applications
- Reference the Box Selection section in the front of this catalog for complete description of clamp types and features

### COMPLIANCE

- LISTED
- All RACO UL listed steel boxes are acceptable for use in 2 hr. fire rated floor-ceiling and roof-ceiling assemblies, as well as 2 hr. fire rated bearing and non-bearing wood stud and steel stud walls. For additional information consult Fire Resistance Ratings ANSI/UL 263, Sec. III-6

CAT. #	DESCRIPTION	CUBIC INCHES (CM <sup>3</sup> )	KNOCKOUTS				STD. PKG.	BAR CODE
			SIDES CONDUIT	ENDS CABLE	ENDS CONDUIT	BOTTOM CONDUIT		
<b>2" Deep Switch Box – Gangable with Armored Cable/Metal Clad/Flex Clamps</b>								
440	Plaster Ears	10.0 (163.9)	—	4	—	(1) 1/2"	50	—
<b>2-1/2" Deep Switch Box – Gangable with Armored Cable/Metal Clad/Flex Clamps</b>								
518	Plaster Ears	12.5 (204.8)	—	4	—	(1) 1/2"	25	
524	TS Bracket, 1/2" Setback	12.5 (204.8)	—	4	(2) 1/2"	(1) 1/2"	50	—
8524	TS Bracket, 1/2" Setback	12.5 (204.8)	—	4	(2) 1/2"	(1) 1/2"	50	
522	LB Bracket, 5/8" Setback	12.5 (204.8)	—	4	(2) 1/2"	(1) 1/2"	25	
523	Plaster Ears, Old Work, GRIPTITE®	12.5 (204.8)	—	4	—	(1) 1/2"	25	
<b>2-1/2" Deep Switch Box – Nongangable with Armored Cable/Metal Clad/Flex Clamps</b>								
526	Plaster Ears, Old Work, 3/4" Sheet Rock Max.	12.5 (204.8)	—	4	—	—	20	
<b>2-3/4" Deep Switch Box – Gangable with Armored Cable/Metal Clad/Flex Clamps</b>								
570RAC	2-3/4" Depth, Plaster Ears	14.0 (229.4)	(4) 1/2"	4	(2) 1/2"	(1) 1/2"	50	—
574	2-3/4" Depth, TS Bracket, 1/2" Setback	14.0 (229.4)	(2) 1/2"	4	(2) 1/2"	(1) 1/2"	25	
<b>3-1/2" Deep Switch Box – Gangable with Armored Cable/Metal Clad/Flex Clamps</b>								
600	Plaster Ears	18.0 (295.0)	(4) 1/2"	4	(2) 1/2"	(1) 1/2"	25	—
604	TS Bracket, 1/2" Setback	18.0 (295.0)	(4) 1/2"	4	(2) 1/2"	(1) 1/2"	25	

SEE END OF SECTION (PG A82) FOR DETAILED DRAWINGS >>



## SWITCH BOXES

### 3" x 2" STAB-IT® SWITCH BOXES – WITH ARMORED CABLE / METAL CLAD / FLEX CLAMPS

#### APPLICATION

- For any job where flexible armored cable is being used.

#### PRODUCT FEATURES

- Designed for quick installation of flex, MC, MCI, MCI-A, AC, and HCF Cable
- Accepts cable sizes from 14/2 up to 10/3 for most cable types
- Available in 4" sq. 2-1/8" deep boxes with 1 or 2 *STAB-IT* connectors
- Each *STAB-IT* connector accommodates two cables
- Pre-installed 8" solid #12 pigtail for faster installation

#### COMPLIANCE

- LISTED
- All RACO UL listed steel boxes are acceptable for use in 2 hr. fire rated floor-ceiling and roof-ceiling assemblies, as well as 2 hr. fire rated bearing and non-bearing wood stud and steel stud walls. For additional information consult Fire Resistance Ratings ANSI/UL 263, Sec. III-6



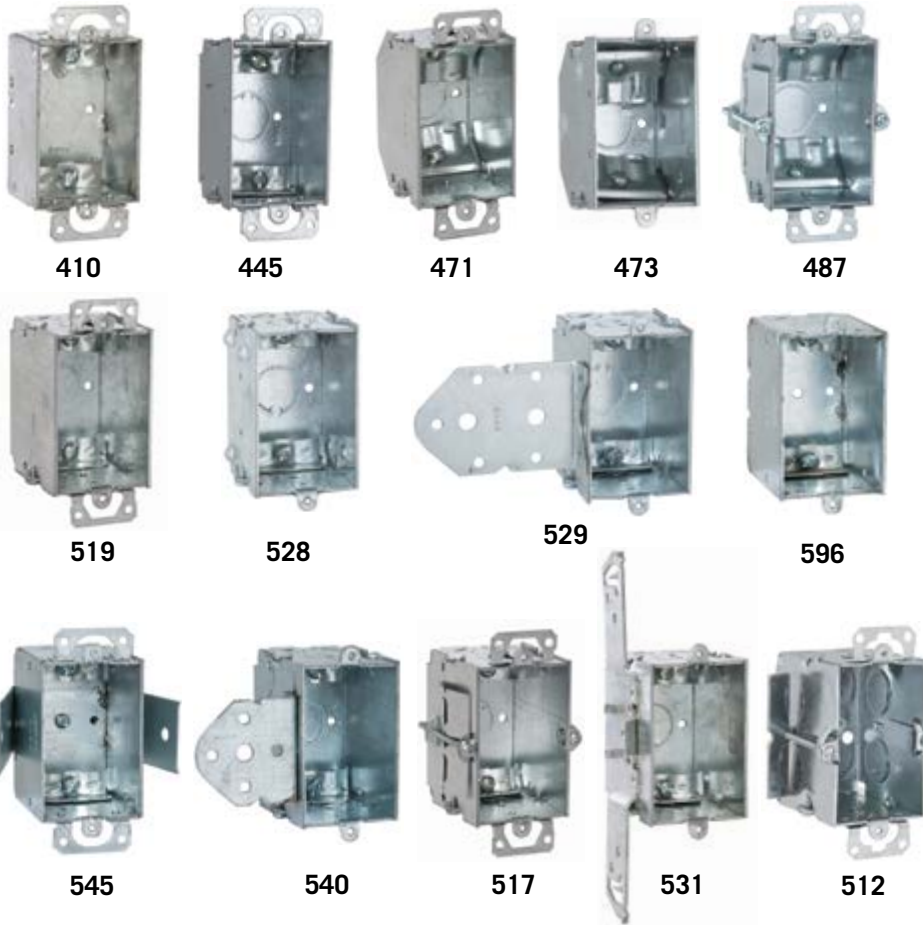
CAT. #	DESCRIPTION	CUBIC INCHES (CM <sup>3</sup> )	KNOCKOUTS				STD. PKG.	BAR CODE
			SIDES CONDUIT	ENDS CABLE	ENDS CONDUIT	BOTTOM CONDUIT		
<b>2-1/2" Deep Switch Box <i>STAB-IT</i> Connector</b>								
518S	(1) <i>STAB-IT</i> Connector, Pigtail	12.5 (204.8)	—	—	—	(1) 1/2"	25	
523S	(1) <i>STAB-IT</i> Connector, Old Work Clips, Pigtail	12.5 (204.8)	—	—	—	(1) 1/2"	25	
524S	(1) <i>STAB-IT</i> Connector, TS Bracket, Pigtail	12.5 (204.8)	—	—	—	(1) 1/2"	50	
<b>3-1/2" Deep Switch Box <i>STAB-IT</i> Connector</b>								
618S	(1) <i>STAB-IT</i> Connector, Pigtail	18.0 (295.0)	—	—	—	(1) 1/2"	25	
623S	(1) <i>STAB-IT</i> Connector, Old Work Clips, Pigtail	18.0 (295.0)	—	—	—	(1) 1/2"	25	
624S	(1) <i>STAB-IT</i> Connector, TS Bracket, Pigtail	18.0 (295.0)	—	—	—	(1) 1/2"	25	

SEE END OF SECTION (PG A82) FOR DETAILED DRAWINGS >>





### 3" X 2" SWITCH BOXES – WITH NONMETALLIC SHEATHED CABLE CLAMPS



#### APPLICATIONS

- RACO® Switch boxes are used to house wiring devices such as switches or outlets

#### PRODUCT FEATURES

- Beveled corner boxes are designed to prevent the clamp screws from protruding into back wall
- Reference the Box Selection section in the front of this catalog for complete description of bracket types and features
- Gangable switch boxes offer the option of constructing a box to hold two or more devices
- Plaster ears allow box to be used in "old work" applications

#### COMPLIANCE

- LISTED
  - All RACO UL listed steel boxes are acceptable for use in 2 hr. fire rated floor-ceiling and roof-ceiling assemblies, as well as 2 hr. fire rated bearing and non-bearing wood stud and steel stud walls.
- For additional information consult Fire Resistance Ratings ANSI/UL 263, Sec. III-6

CAT. #	DESCRIPTION	CUBIC INCHES (CM <sup>3</sup> )	KNOCKOUTS				STD. PKG.	BAR CODE
			SIDES CONDUIT	ENDS CABLE	ENDS CONDUIT	BOTTOM CONDUIT		
<b>1-1/2" Deep Switch Box – Nongangable with Nonmetallic Sheathed Cable Clamps</b>								
410	Plaster Ears	7.5 (122.9)	—	4	—	—	25	
<b>2" Deep Switch Box – Gangable with Nonmetallic Sheathed Cable Clamps</b>								
445	Plaster Ears	10.0 (163.9)	—	4	—	(1) 1/2"	50	—
<b>2-1/4" Deep Switch Box – Gangable with Nonmetallic Sheathed Cable Clamps</b>								
471	One Screw, Plaster Ears	10.5 (172.1)	—	4	—	(1) 1/2"	25	
473	Level Bumps	10.5 (172.1)	—	4	(2) 1/2"	(1) 1/2"	20	
487	Old Work, TIGERGRIP®	10.5 (172.1)	—	4	—	(1) 1/2"	20	
<b>2-1/2" Deep Switch Box – Nongangable with Nonmetallic Sheathed Cable Clamps</b>								
596	No Plaster Ears	12.5 (204.8)	—	4	(2) 1/2"	—	50	—
545	Plaster Ears, Old Work, 3/4" Sheet Rock Max.	12.5 (204.8)	—	4	(2) 1/2"	—	20	
<b>2-1/2" Deep Switch Box – Gangable with Nonmetallic Sheathed Cable Clamps</b>								
519	Plaster Ears	12.5 (204.8)	—	4	—	(1) 1/2"	25	
528	Level Bumps	12.5 (204.8)	—	4	(2) 1/2"	(1) 1/2"	25	
529	LB Bracket, 5/8" Setback	12.5 (204.8)	—	4	(2) 1/2"	(1) 1/2"	20	
531	TS Bracket, 1/2" Setback	12.5 (204.8)	—	4	(2) 1/2"	(1) 1/2"	25	
540	B Bracket, 1/4" Setback	12.5 (204.8)	—	4	(2) 1/2"	(1) 1/2"	50	—
517	Plaster Ears, Old Work, TIGERGRIP	12.5 (204.8)	—	4	—	(1) 1/2"	20	
512	Plaster Ears, Old Work	12.5 (204.8)	—	4	—	(1) 1/2"	20	

SEE END OF SECTION (PG A82) FOR DETAILED DRAWINGS >>



## SWITCH BOXES

### 3" X 2" SWITCH BOXES – WITH NONMETALLIC SHEATHED CABLE CLAMPS

#### APPLICATIONS

- RACO® Switch boxes are used to house wiring devices such as switches or outlets

#### PRODUCT FEATURES

- RACO® 355 and 8355 are extra wide for ease of GFCI installation
- Reference the Box Selection section in the front of this catalog for complete description of bracket types and features
- Gangable switch boxes offer the option of constructing a box to hold two or more devices
- Plaster ears allow box to be used in “old work” applications

#### COMPLIANCE

- LISTED
- All RACO UL listed steel boxes are acceptable for use in 2 hr. fire rated floor-ceiling and roof-ceiling assemblies, as well as 2 hr. fire rated bearing and non-bearing wood stud and steel stud walls. For additional information consult Fire Resistance Ratings ANSI/UL 263, Sec. III-6



564



567



355, 8355



601, 8601



601G



603



605

CAT. #	DESCRIPTION	CUBIC INCHES (CM <sup>3</sup> )	KNOCKOUTS				STD. PKG.	BAR CODE
			SIDES CONDUIT	ENDS CABLE	ENDS CONDUIT	BOTTOM CONDUIT		
<b>2-3/4" Deep Switch Box – Gangable with Nonmetallic Sheathed Cable Clamps</b>								
567	Plaster Ears	14.0 (229.4)	(4) 1/2"	4	(2) 1/2"	(1) 1/2"	25	
564	TS Bracket, 1/2" Setback	14.0 (229.4)	(2) 1/2"	4	(2) 1/2"	(1) 1/2"	25	
<b>2-27/32" Deep Switch Box – Nongangable with Nonmetallic Sheathed Cable Clamps</b>								
355	S Bracket, Nails	15.8 (258.9)	—	4	—	(1) 1/2"	50	—
8355	S Bracket, Nails	15.8 (258.9)	—	4	—	(1) 1/2"	20	
<b>3-1/2" Deep Switch Box – Gangable with Nonmetallic Sheathed Cable Clamps</b>								
601	Plaster Ears	18.0 (295.0)	(4) 1/2"	4	(2) 1/2"	(1) 1/2"	25	—
8601	Plaster Ears	18.0 (295.0)	(4) 1/2"	4	(2) 1/2"	(1) 1/2"	25	
601G	Plaster Ears, With Ground Screw Driven	18.0 (295.0)	(4) 1/2"	4	(2) 1/2"	(1) 1/2"	25	—
605	TS Bracket, 1/2" Setback	18.0 (295.0)	(4) 1/2"	4	(2) 1/2"	(1) 1/2"	25	
603	B Bracket, 5/8" Setback	18.0 (295.0)	(4) 1/2"	4	(2) 1/2"	(1) 1/2"	25	—

SEE END OF SECTION (PG A82) FOR DETAILED DRAWINGS >>





### SHALLOW SWITCH BOXES – WITH NONMETALLIC SHEATHED CABLE CLAMPS



404, 404SP



405



418

#### APPLICATIONS

- RACO® Shallow switch boxes are made for use with furring strips and 1/4" paneling
- Switch boxes are used to house wiring devices such as switches or outlets

#### PRODUCT FEATURES

- RACO® "D" bracket is pre-scored and can be broken off if needed
- Reference the Box Selection section in the front of this catalog for complete description of bracket types and features
- 418 will accept 4" square mudring or flat cover

#### COMPLIANCE

- LISTED
- All RACO UL listed steel boxes are acceptable for use in 2 hr. fire rated floor-ceiling and roof-ceiling assemblies, as well as 2 hr. fire rated bearing and non-bearing wood stud and steel stud walls. For additional information consult Fire Resistance Ratings ANSI/UL 263, Sec. III-6

CAT. #	DESCRIPTION	CUBIC INCHES (CM <sup>3</sup> )	KNOCKOUTS				STD. PKG.	BAR CODE
			SIDES CONDUIT	ENDS CABLE	ENDS CONDUIT	BOTTOM CONDUIT		
<b>3-3/4" x 2" Switch Box, 1" Deep – Nongangable with Nonmetallic Sheathed Cable Clamps</b>								
404	Q Clamp, 1/4" Setback	6.5 (106.5)	—	2	(1) 1/2"	—	25	
404SP	Q Clamp, 1/4" Setback	6.5 (106.5)	—	2	(1) 1/2"	—	6	
405	Q Clamp, 1/4" Setback	6.5 (106.5)	—	4	—	—	25	
<b>4" x 4" Switch Box, 1" Deep – Nongangable with Nonmetallic Sheathed Cable Clamps</b>								
418	(2) Q Clamp, 1/4" Setback	14.8 (242.5)	—	4	(2) 1/2"	—	25	



## SWITCH BOXES

### MULTIDEVICE LARGE CAPACITY SWITCH BOXES & PARTITIONS

#### APPLICATIONS

- Installers can save time and cut installation costs with multigang switch boxes
- Larger capacity boxes are ideal for today's designs where there is a need to install two devices at one location

#### PRODUCT FEATURES

- Reference the Box Selection section in the front of this catalog for complete description of bracket and clamp types and features

#### COMPLIANCE

- LISTED



686



687



971

CAT. #	DESCRIPTION	CUBIC INCHES (CM <sup>3</sup> )	KNOCKOUTS				STD. PKG.	BAR CODE
			SIDES CONDUIT	ENDS CABLE	ENDS CONDUIT	BOTTOM CONDUIT		
<b>Multidevice Switch Boxes, 2-1/2" Deep – Welded with Conduit KO's</b>								
686	3-Gang, 1/2" Setback	47.8 (783.3)	(6) 1/2", (6) 3/4"	—	(2) 1/2", (2) 3/4"	(3) 1/2", (3) 3/4"	10	
687	4-Gang, 1/2" Setback	63.5 (1040.6)	(8) 1/2", (8) 3/4"	—	(2) 1/2", (2) 3/4"	(4) 1/2", (4) 3/4"	10	
<b>Low-Voltage Partition</b>								
971	For 686 and 687 Boxes	—	—	—	—	—	25	—

SEE END OF SECTION (PG A82) FOR DETAILED DRAWINGS >>





951 through 955



941 through 945

CAT. #	DESCRIPTION	CUBIC INCHES (CM <sup>3</sup> )	KNOCKOUTS			STD. PKG.	BAR CODE
			TOP & BOTTOM	SIDES	BACK		
<b>Gang Boxes, 1-5/8" Deep – Welded with Conduit KO's</b>							
951	2-Gang	47.0 (770.1)	8 Conc. 1/2" & 3/4"	4 Conc. 1/2" & 3/4"	(3) 1/2" (2) 3/4"	5	—
952	3-Gang	60.0 (983.2)	10 Conc. 1/2" & 3/4"	4 Conc. 1/2" & 3/4"	(6) 1/2" (4) 3/4"	5	
953	4-Gang	72.8 (1192.9)	12 Conc. 1/2" & 3/4"	4 Conc. 1/2" & 3/4"	(6) 1/2" (4) 3/4"	5	
954	5-Gang	85.8 (1406.0)	14 Conc. 1/2" & 3/4"	4 Conc. 1/2" & 3/4"	(6) 1/2" (4) 3/4"	5	—
955	6-Gang	98.5 (1614.1)	16 Conc. 1/2" & 3/4"	4 Conc. 1/2" & 3/4"	(6) 1/2" (4) 3/4"	1	—
<b>Gang Boxes, 2-1/2" Deep – Welded with Conduit KO's</b>							
941	2-Gang	70.0 (1147.0)	(4) 3/4" 4 Conc. 3/4" & 1"	4 Conc. 3/4" & 1"	(3) 1/2" (2) 3/4"	5	
942	3-Gang	90.0 (1474.8)	(8) 3/4" 2 Conc. 3/4" & 1"	4 Conc. 3/4" & 1"	(6) 1/2" (4) 3/4"	5	
943	4-Gang	110.0 (1802.5)	(4) 3/4" 4 Conc. 3/4" & 1"	4 Conc. 3/4" & 1"	(6) 1/2" (4) 3/4"	5	
944	5-Gang	130.0 (2130.3)	(6) 3/4" 4 Conc. 3/4" & 1"	4 Conc. 3/4" & 1"	(6) 1/2" (4) 3/4"	5	
945	6-Gang	150.0 (2458.0)	(6) 3/4" 6 Conc. 3/4" & 1"	4 Conc. 3/4" & 1"	(6) 1/2" (4) 3/4"	1	

### APPLICATIONS

- RACO® Gang boxes are used where a number of wiring devices are to be centrally located

### PRODUCT FEATURES

- Gang boxes save time in installation, no need to gang boxes together
- Have 1/2" and 3/4" concentric KO's for use with a wide variety of wiring methods
- Bottom KO pattern, 3-1/2" and 2-3/4" at either end of box
- Accept two styles of covers, flat and 3/4" raised device cover
- Use low voltage partitions #947 or #949

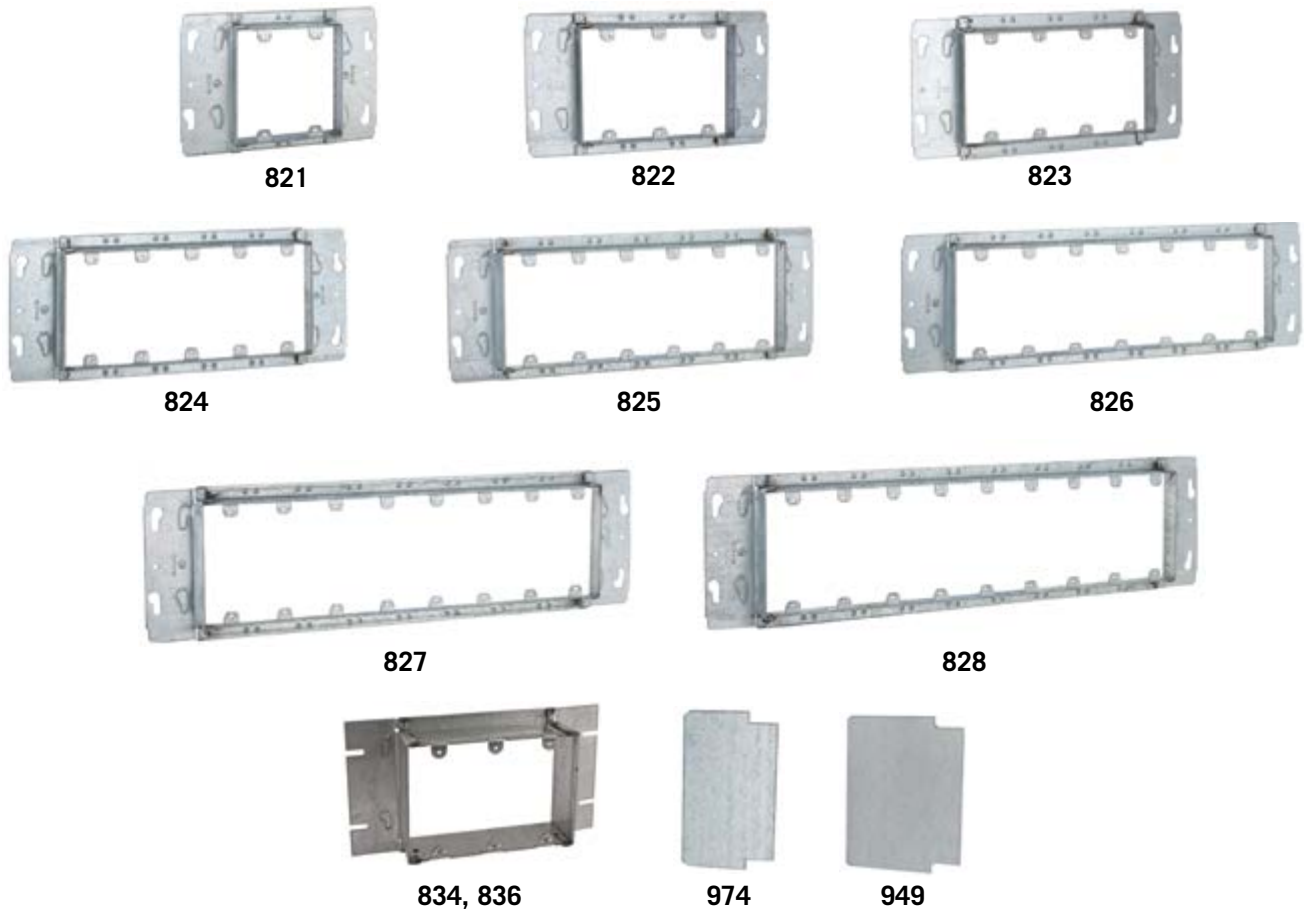
### COMPLIANCE

- LISTED

SEE END OF SECTION (PG A82) FOR DETAILED DRAWINGS >>

## MULTIGANG BOXES

### COVERS AND PARTITIONS



#### APPLICATIONS

- RACO® Gang box covers permit the mounting of devices
- Low voltage partitions may be added to boxes to divide power from voice/data
- RACO® 834 and 836 covers are ideal for nurse call stations

#### PRODUCT FEATURES

- RACO® Device covers also fit next smaller box, i.e. three gang cover fits two or three gang box
- Partition divides boxes into compartments

#### COMPLIANCE

- LISTED

CAT. #	DESCRIPTION	FOR GANG BOXES	CU. IN. CAPACITY (CM <sup>3</sup> )	STD. PKG.	BAR CODE
<b>Device Covers for Gang Boxes - Raised 3/4"</b>					
821	2-Gang, 7-1/16" Width	951 or 941	10.0 (163.8)	5	—
822	3-Gang, 8-7/8" Width	952 or 942	15.3 (250.7)	5	
823	4-Gang, 10-11/16" Width	953 or 943	20.3 (332.6)	5	
824	5-Gang, 12-1/2" Width	954 or 944	25.5 (417.8)	5	—
825	6-Gang, 14-5/16" Width	955 or 945	30.5 (499.8)	1	—
826	7-Gang, 16-1/8" Width	956	35.5 (581.7)	1	—
827	8-Gang, 17-5/16" Width	957	40.8 (668.5)	1	—
828	9-Gang, 19-3/4" Width	958	45.8 (750.5)	1	—
<b>Device Covers for Gang Boxes</b>					
834	3-Gang, 8-7/8" Width, 2" Raised	952 or 942	40.8 (668.5)	15	—
836	3-Gang, 8-7/8" Width, 1-1/2" Raised	952 or 942	30.6 (501.4)	20	—
<b>Low Voltage Partitions for Gang Boxes</b>					
974	For 1-5/8" Deep	—	—	25	—
949	For 2-1/2" Deep	—	—	25	—



BLANK COVERS



844



845



846



847



848

CAT. #	DESCRIPTION	FOR GANG BOXES	STD. PKG.	BAR CODE
<b>Flat, Blank Covers for Gang Boxes</b>				
844	2-Gang, 7-1/16" Width	951 or 941	5	—
845	3-Gang, 8-7/8" Width	952 or 942	5	—
846	4-Gang, 10-11/16" Width	953 or 943	5	—
847	5-Gang, 12-1/2" Width	954 or 944	1	—
848	6-Gang, 14-5/16" Width	955 or 945	1	—

APPLICATIONS

- Covers are used to close a multigang box



## MASONRY BOXES

### CONCRETE RINGS, CEILING BOX AND COVER PLATES



#### APPLICATIONS

- RACO® Concrete rings are used with poured deck (floor) in high-rise construction
- These boxes are installed on wooden or steel concrete forms. After the forms are removed, the box is flush with the concrete
- \*RACO® Ceiling Fan Concrete Ring 284 is listed for support of ceiling fans

#### PRODUCT FEATURES

- Flat sides provide excellent contact for locknuts
- External ears are used to nail the ring to the wood form
- Top cover is removable for before-pour work
- Ears on inside of box are for fixtures
- Waxed fixture ears prevent concrete from interfering with the threads
- A variety of cover plates are available
- Cover plate must be ordered separately with all RACO® concrete rings

#### COMPLIANCE

- LISTED

CAT. #	DESCRIPTION	CUBIC INCHES (CM <sup>3</sup> )	KNOCKOUTS	RECOMMENDED MAX. LOADS		STD. PKG.	BAR CODE
				CEILING FAN (DYNAMIC) LBS.	FIXTURE (STATIC) LBS.		
<b>Concrete Rings</b>							
270RAC	2" Deep	24.5 (401.4)	Single Row KO's - 1/2" and 3/4"	No	50	25	—
271	2-1/2" Deep	30.8 (504.7)	Single Row KO's - 1/2" and 3/4"	No	50	25	IIIIIIII
272	3" Deep	37.0 (606.3)	Single Row KO's - 1/2" and 3/4"	No	50	25	—
277	3" Deep	37.0 (606.3)	Single Row KO's - 3/4" and 1"	No	50	25	—
273	3-1/2" Deep	43.0 (704.6)	Double Row KO's - 1/2" and 3/4"	No	50	20	—
278	3-1/2" Deep	43.0 (704.6)	Single Row KO's - 3/4" and 1"	No	50	20	—
274	4" Deep	49.3 (807.8)	Double Row KO's - 1/2" and 3/4"	No	50	20	—
279	4" Deep	49.3 (807.8)	Double Row KO's - 3/4" and 1"	No	50	20	—
275	5" Deep	61.5 (1007.8)	Double Row KO's - 1/2" and 3/4"	No	50	10	—
276	6" Deep	74.0 (1212.6)	Double Row KO's - 1/2" and 3/4"	No	50	10	—
284*	4" Deep	49.3 (807.8)	Double Row KO's - 1/2" and 3/4"	70	150	6	—
<b>Hung Ceiling Box</b>							
280	3-1/2" Deep, includes an 890 cover	43.0 (704.6)	Double Row KO's (8) 1/2" and (8) 3/4"	No	—	20	—
918	30" Long Bars for Hung Ceiling Box	—	—	No	—	40	—
<b>Concrete Ring - Back Plates/Covers and Adapter Ring</b>							
890	(3) 1/2" and (2) 3/4" KO's, O.D. 4-1/2"	—	—	—	—	25	IIIIIIII
892	Flat, Blank, O.D. 4-1/2"	—	—	—	—	25	—
893	O.D. 4-1/2", Joins Octagon Ext. Ring to Concrete Ring, Two Retained Screws	—	—	—	—	50	—

SEE END OF SECTION (PG A83) FOR DETAILED DRAWINGS >>

### MASONRY BOXES AND PARTITIONS



690 through 694



695 through 699



960



965



971



949

CAT. #	DESCRIPTION	CUBIC INCHES (CM <sup>3</sup> )	KNOCKOUTS			STD. PKG.	BAR CODE
			SIDES CONDUIT	ENDS CONDUIT	BOTTOM CONDUIT		
<b>Masonry Boxes, 2-1/2" Deep – Nongangable with conduit KO's</b>							
690	1-gang, 1-31/32" wide	16.0 (262.1)	4 Conc.	2 Conc.	2 Conc.	25	—
691	2-gang, 3-25/32" wide	31.8 (521.1)	4 Conc.	4 Conc.	4 Conc.	25	—
692	3-gang, 5-19/32" wide	47.8 (783.3)	4 Conc.	6 Conc.	3 Conc.	10	—
693	4-gang, 7-13/32" wide	63.5 (1040.5)	4 Conc.	8 Conc.	4 Conc.	10	—
694	5-gang, 9-7/32" wide	79.5 (1302.7)	4 Conc.	10 Conc.	5 Conc.	10	—
960	6-gang, 11-1/32" wide	95.3 (1561.6)	4 Conc.	12 Conc.	6 Conc.	1	—
<b>Masonry Boxes, 3-1/2" Deep – Nongangable with conduit KO's</b>							
695	1-gang, 1-31/32" wide	22.5 (368.7)	4 Conc.	4 Conc.	2 Conc.	25	—
8695	1-gang, 1-31/32" wide	22.5 (368.7)	4 Conc.	4 Conc.	2 Conc.	25	
696	2-gang, 3-25/32" wide	45.0 (737.4)	4 Conc.	8 Conc.	4 Conc.	25	
697	3-gang, 5-19/32" wide	67.3 (1102.8)	4 Conc.	12 Conc.	3 Conc.	10	
698	4-gang, 7-13/32" wide	89.8 (1471.5)	4 Conc.	16 Conc.	4 Conc.	10	—
699	5-gang, 9-7/32" wide	112.3 (1840.2)	4 Conc.	20 Conc.	5 Conc.	10	—
965	6-gang, 11-1/32" wide	134.8 (2208.9)	4 Conc.	24 Conc.	6 Conc.	1	—

CATALOG #	DESCRIPTION	STD. PKG.	BARCODE
<b>Low Voltage Partitions for Masonry Boxes</b>			
971	For nongangable, 2-1/2" or 3-1/2" deep boxes	25	—
949	For gangable, 2-1/2" deep boxes	25	

#### APPLICATIONS

- RACO® Masonry boxes are designed to accommodate the mounting of switches or other devices in masonry walls
- Gangable masonry boxes offer the option of constructing a box to hold two or more devices
- 2-1/2" deep boxes are used in 4" block walls, 3-1/2" deep boxes are used in 6" or 8" block walls

#### NONGANGABLE PRODUCT FEATURES

- Rugged welded design does not fall apart during construction
- Available from one to six gang configurations in both 2-1/2" and 3-1/2" depths
- Rectangular shape fits square cuts in block
- Large volume design allows for additional work room inside the box
- Standard 1/2" and 3/4" concentric Knockouts
- Device ears inside the box prevent mortar from getting in the device holes
- Steel low voltage partition #971 fits all 2-1/2" or 3-1/2" depths
- Standard wall plates can be used

#### COMPLIANCE

- LISTED

SEE END OF SECTION (PG A83) FOR DETAILED DRAWINGS >>

## MASONRY BOXES

### GANGABLE MASONRY BOXES AND PARTITIONS

#### APPLICATIONS

- RACO® Masonry boxes are designed to accommodate the mounting of switches or other devices in masonry walls
- Gangable masonry boxes offer the option of constructing a box to hold two or more devices
- 2-1/2" deep boxes are used in 4" block walls, 3-1/2" deep boxes are used in 6" or 8" block walls

#### GANGABLE PRODUCT FEATURES

- Rugged welded design does not fall apart during construction
- Gangable design allows installer to build unlimited number of gangs to hold multiple devices
- Rectangular shape fits square cuts in block
- Standard 1/2" and 3/4" TKO® Knockouts
- Device ears inside the box prevent mortar from getting in the device holes
- Steel low voltage partitions:
  - #675 fits 2-1/2" box
  - #676 fits 3-1/2" deep box
- Forward mounted grounding provision allows for easy installation of grounding pigtail
- Standard wall plates can be used

#### COMPLIANCE

- LISTED



688



689



675



676

CAT. #	DESCRIPTION	CUBIC INCHES (CM <sup>3</sup> )	KNOCKOUTS			STD. PKG.	BAR CODE
			SIDES CONDUIT	ENDS CONDUIT	BOTTOM CONDUIT		
<b>Masonry Boxes, 2-1/2" Deep – Gangable with conduit KO's</b>							
688	1-gang, 1-15/16" wide	15.5 (253.9)	4 TKO®	2 TKO®	2 TKO®	20	
<b>Masonry Boxes, 3-1/2" Deep – Gangable with conduit KO's</b>							
689	1-gang, 1-15/16" wide	22.5 (368.7)	4 TKO®	4 TKO®	2 TKO®	20	

CATALOG #	DESCRIPTION	STD. PKG.	BARCODE
<b>Low Voltage Partitions for Masonry Boxes</b>			
675	For gangable, 2-1/2" deep boxes	20	
676	For gangable, 3-1/2" deep boxes	20	



### BLOCK-LOC™ MASONRY BOXES



689B



695B



696B



697B



698B



786B



796B



899B

#### BLOCK-LOC™ APPLICATIONS

- For power and data outlets in masonry block walls

#### BLOCK-LOC™ FEATURES

- Integral brackets securely hold power and data outlets to concrete block from front and back in masonry block walls
- Quick and accurate positioning
- Break off front tabs

#### COMPLIANCE

- LISTED

CATALOG #	DESCRIPTION	CUBIC INCHES (CM <sup>3</sup> )	KNOCKOUTS			STD. PKG.	BAR CODE
			SIDES CONDUIT	ENDS CONDUIT	BOTTOM CONDUIT		
<b>BLOCK-LOC Masonry Boxes</b>							
689B	3-1/2" deep 1-gang, gangable	22.5 (368.7)	4 TKO®	2 TKO®	2 TKO®	18	
695B	3-1/2" deep 1-gang, welded	22.5 (368.7)	4 Conc.	4 Conc.	2 Conc.	18	
696B	3-1/2" deep 2-gang, welded	45.0 (737.4)	4 Conc.	8 Conc.	4 Conc.	12	
697B	3-1/2" deep 3-gang, welded	67.3 (1102.8)	4 Conc.	12 Conc.	3 Conc.	12	
698B	3-1/2" deep 4-gang, welded	89.8 (1471.6)	4 Conc.	16 Conc.	4 Conc.	6	
786B	4" Sq. 1-gang tile cover, 2" deep	14.5 (237.6)	—	—	—	25	
796B	4" Sq. 2-gang tile cover, 2" deep	20.5 (335.9)	—	—	—	20	
899B	4-11/16" Sq. 1-gang tile cover, 2" deep	16.0 (262.2)	—	—	—	12	

## BOX SUPPORT PRODUCTS

### BRACES AND BRACKETS - BETWEEN STUDS

#### APPLICATIONS

##### 9004R - 9006R, 9013R - 9015R

- RACO® Braces and extenders are used for metal or wood stud box positioning

#### PRODUCT FEATURES

- Available for 1-1/2" or 2-1/8" deep boxes
- Locator dimples on face of bar allows for exact positioning of single or multiple boxes
- Dimple feature provides quick start of screws, and reinforcement to prevent box mounting screws from stripping out when box is mounted
- Design of adjustable brace allows ground screw to clear when box is mounted
- Boxes attach easily with self-tapping screws

#### COMPLIANCE

- LISTED

#### APPLICATIONS - 9001, 9002

- Positions electrical boxes, plaster rings and low voltage devices between studs

#### PRODUCT FEATURES

- Fold-back stabilizer leg prevents bracket from being pushed back in wall cavity during drywall installation
- Designed for 2-1/2" or 3-1/2" studs.
- Mounts 4" or 4-11/16" sq. boxes
- Box can be mounted on ring without raised cover to save time by providing maximum work area inside box
- When mounted, raised cover is brought to within 1/16" of drywall everytime and will not bulge or break out drywall

#### COMPLIANCE

- LISTED



9013R, 9015R



9004R, 9006R



9001



9002

CATALOG #	DESCRIPTION	STD. PKG.	BARCODE
<b>Non-adjustable Box Mounting Brace – For 4" and 4-11/16" square box</b>			
9004R	For 16" stud spacing, 1-1/2" or 2-1/8" deep box	50	—
9006R	For 24" stud spacing, 1-1/2" or 2-1/8" deep box	50	—
<b>Adjustable Box Mounting Brace – For 4" and 4-11/16" square box</b>			
9013R	Adjusts from 10-3/8" to 18", 1-1/2" or 2-1/8" deep box	50	—
9015R	Adjusts from 15" to 26", 1-1/2" or 2-1/8" deep box	50	—
<b>Fixed Position Box Mounting Brackets – For 4" and 4-11/16" square box</b>			
9001	(3) Box, for 16" O. C. studs	50	—
9002	(4) Box, for 24" O. C. Studs	50	—

### OPEN CENTER BRACKETS

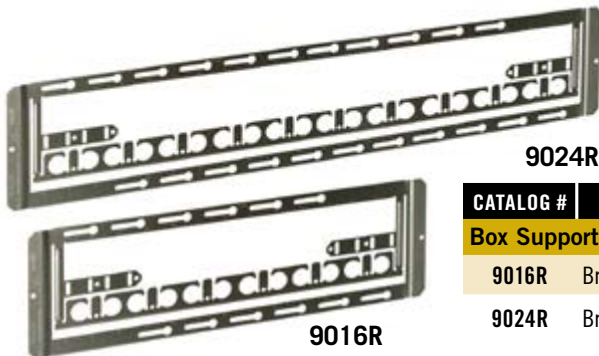


#### APPLICATION

- Easily position and adjust electrical boxes and plaster rings between studs

#### FEATURES

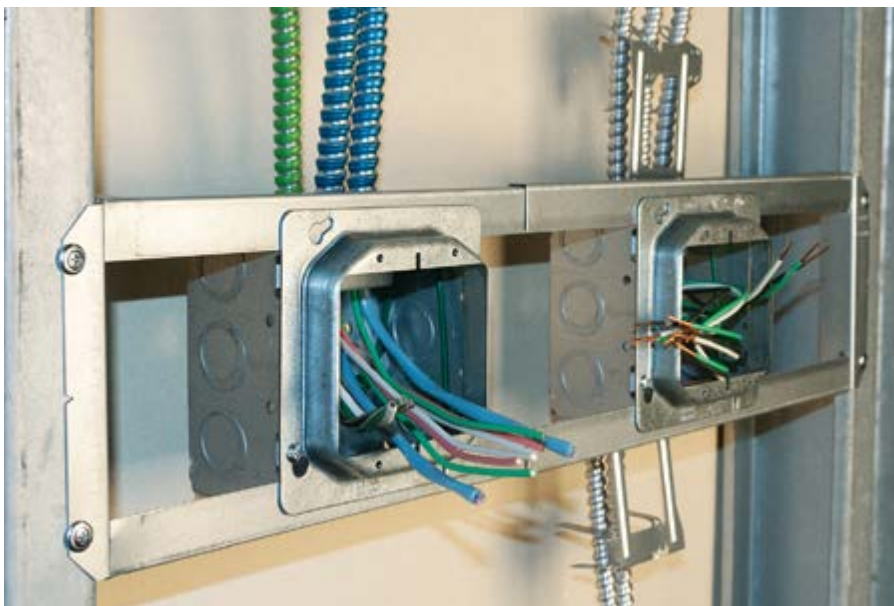
- Accepts both 4" and 4-11/16" square boxes and plaster rings
- Opening gives installer flexibility of box position between studs
- Features built-in first means of support for securing and supporting flex and armored cable
- Built-in ruler to aid in alignment of electrical box



9024R

9016R

CATALOG #	DESCRIPTION	STD. PKG.	BARCODE
<b>Box Support Brackets</b>			
9016R	Bracket for 16" stud spacing	25	—
9024R	Bracket for 24" stud spacing	25	—



#### APPLICATION

- Perfect for commercial construction. Can be adjusted for use on stud spacing anywhere from 16-24". Accommodates 4" or 4-11/16" square boxes and plaster rings. Provides maximum flexibility for installers while reducing required SKU's on the jobsite

#### FEATURES

- Accepts 4" and 4-11/16" square boxes
- Large opening allows multiple boxes to mount anywhere in the space
- Rigid design eliminates need for far-side support
- Adjusts from 16" to 24"
- Can be cut for use in smaller spacing
- Centering marks for quick installation
- Use on wood or metal studs
- Galvanized steel construction

#### COMPLIANCE

- LISTED



9020R

CATALOG #	DESCRIPTION	STD. PKG.	BARCODE
<b>Adjustable Box Support Bracket</b>			
9020R	Adjustable Open Center Bracket for 16" to 24" stud spacing	25	—

## BOX SUPPORT PRODUCTS

### BRACKETS AND BOX SUPPORTS - ON STUDS

#### APPLICATIONS - 9018

- Supports electrical box when mounted to a stud

#### PRODUCT FEATURES

- Dual-point mounting, right or left of stud  
Perfect for prefab applications
- Mounts 4" or 4-11/16" sq. box to 2-1/2", 3-1/2" or 6" studs

#### COMPLIANCE

- LISTED

#### APPLICATIONS - SBRNRRAC

- Bracket supports electrical box when mounted to a stud

#### PRODUCT FEATURES

- Patented, built-in cable support accepts up to 3 MC cables (12-2MC to 10-4 MC)
- Mounts 4" sq. box left or right of stud
- Patented flip-out support accommodates wood and metal stud depths: 2-1/2", 3-1/2", 3-5/8", 5-1/2" and 6"

#### COMPLIANCE

- LISTED

#### APPLICATIONS - 980 BOX-LOC® & 978

(sold separately)

- Allows any 4" or 4-11/16" square metal box to be affixed to a metal stud quickly and easily. 978 Far Side Support prevents box from being pushed back in wall cavity

#### PRODUCT FEATURES

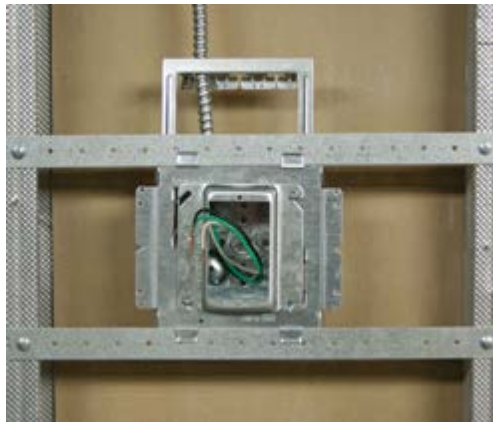
- 980 Patented spring-steel design installs in seconds without tools
- 978 simply snaps into hole in back of box and is easily cut to fit wall cavity

#### APPLICATIONS - SP2RAC

- Spanner bar SP2RAC works for 24" spans, works with both SBRNRRAC and S1CRAC bracket systems to provide support between two metal or wood studs
- Bars can be used in many mechanical support applications

#### PRODUCT FEATURES

- 1" high profile, 1/8" mounting holes, 1" O.C.
- Heavy 20 gauge .038" gauge pre-galvanized steel construction for secure and rigid support of boxes in wall cavity



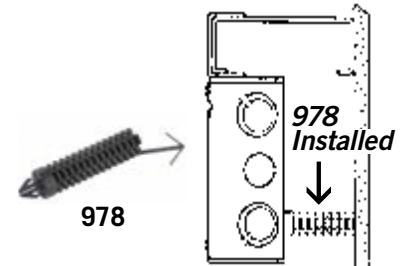
SBRNRRAC



9018



BOX-LOC® 980



978



SP2RAC

CATALOG #	DESCRIPTION	STD. PKG.	BARCODE
<b>Two-point Box Mounting Brackets</b>			
9018	Left or right side stud mount	100	—
<b>Single Box Mounting Bracket with Cable Support – For MC/BX wiring systems</b>			
SBRNRRAC	Positions a 4" Sq. junction box between two studs	30	—
<b>BOX-LOC Metal Stud Clip</b>			
980	Spring steel bracket	50	
<b>Plastic Far Side Support</b>			
978	1-7/8" rigid, plastic support	50	—
<b>Between Stud Spanner Bar</b>			
SP2RAC	Spans 24" between two metal or wood studs	30	—



### BOX AND CABLE SUPPORTS - BETWEEN STUDS AND FLOOR



#### APPLICATIONS - 9009, 9010

- Supports electrical boxes from floor or concrete forms

#### PRODUCT FEATURES

- Fold back stabilizer prevents bracket from being pushed back in wall cavity during drywall installation
- Designed for mounting square boxes 12" or 18" above floor. Mounts to metal or wood plate.
- Mounts 4" or 4-11/16" square boxes
- Box can be mounted on support without drywall ring to save time by providing maximum working area in box
- When mounted, raised cover is brought to within 1/16" of drywall every time. Will not bulge or break out drywall

#### COMPLIANCE

- LISTED

#### APPLICATIONS - KS1RAC

- KS1RAC is designed to be used in conjunction with SBRNRRAC
- Adjusts the box assembly at various heights from floor 7" to 18" at 1 increments

#### PRODUCT FEATURES

- SBRNRRAC single box support brackets lock into KS1RAC using built in locator tabs
- Wrap under lip design and securing lock tab allows for KS1RAC to be positioned under stud for hands free installation of bracket/box assembly
- KS1RAC wall assembly can be easily located behind closed wall with built in locator tab that can be seen once drywall is in place
- Heavy 20 guage .038" gauge pre-galvanized steel construction for secure and rigid support of boxes in wall cavity

#### COMPLIANCE

- LISTED

#### APPLICATIONS - CS1RAC & CS2RAC

- CS1RAC and CS2RAC are used to organize runs of MC or BX cables with spacing for NEC requirements that eliminate the need for derating
- Flexibility allows for multiple mounting applications

#### PRODUCT FEATURES

- Cable holders can be mounted in multiple configurations - wall/surface, hung by 1/4" all threaded rod, top of wall mounted or deck mounted

- Easy to use, integrated locking tabs hold cable securely in place - snap cable in, no additional hardware required to hold cables in place
- Cable holders accept cable ranges 12-2MC to 10-4MC
- Heavy 20 guage .038" gauge pre-galvanized steel construction for secure and rigid support of boxes in wall cavity

#### COMPLIANCE

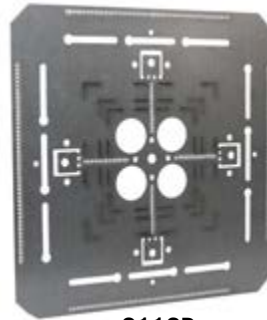
- LISTED

CATALOG #	DESCRIPTION	STD. PKG.	BARCODE
<b>Floor Mounted Box Support</b>			
9009	12" tall bracket	25	—
9010	18" tall bracket	25	—
<b>Floor Mount Kick Stand – Adjustable</b>			
KS1RAC	Spans 16" between two metal or wood studs	20	—
<b>MC/BX Cable Holder</b>			
CS1RAC	16" -10 Cabke positions	50	—
CS2RAC	24" - 24" Cabke positions	50	—

## BOX SUPPORT PLATES

**NEW!**

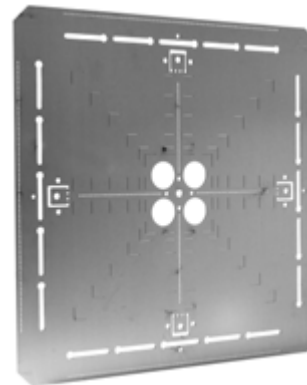
### BOX SUPPORTS - CEILING



9112R



9112RL



9118R

#### APPLICATIONS

- RACO® box support and conduit positioning plates offer flexible options for quickly hanging electrical boxes in commercial or industrial overhead applications. **Also provides a means of positioning for conduit exiting the box.** Create a clean, organized and strong installation that saves time and materials compared to traditional suspended procedures.

Two 12" models accommodate up to 6" x 6" boxes. Larger 18" model can hold multiple 4" square boxes, or larger boxes up to 12" x 12", including our Grand Slam junction box.

#### PRODUCT FEATURES

- Mount horizontally or vertically from a single 3/8" threaded rod
- Bendable tabs secure plate in vertical installation
- Multiple markings for easier box alignment
- Pre-punched holes for rear raceway access
- Holes and slots provide limitless options for clamp or strap installation
- Lanced feature on 9112RL for easier one-hole strap installation
- Constructed of 16 gauge galvanized steel

#### COMPLIANCE

- LISTED

CATALOG #	DESCRIPTION	STD. PKG.	BARCODE
<b>12" x 12" Square Box &amp; Conduit Hangers</b>			
9112R	Flat plate, 16 gauge galvanized steel	10	—
9112RL	Lanced plate, 16 gauge galvanized steel	10	—
<b>16" x 16" Square Box &amp; Conduit Hangers</b>			
9118R	Flat plate, 16 gauge galvanized steel	5	—

### BOX SUPPORTS - CEILING



920, 922



991



#### APPLICATION - 920, 922

- RACO® Adjustable bar hanger allows box to be placed between ceiling joists or wall studs quickly and easily

#### PRODUCT FEATURES

- Both RACO® 920 and 922 bar fixture hangers allow box to be located anywhere along length of bar
- 920, 922 Clip installs in 1/2" knockout located in bottom (back) of box
- RACO® box must be ordered separately

#### BOX INSTALLATION

- Bar hangers attach to octagon or square boxes through center 1/2" knockouts
- Remove knockout from box, also the screw and fixture clip from bar hanger
- When box is located accurately between joists, tighten the screw securely

#### KWIK-HANG™ APPLICATIONS

- Designed to support 4" square, 4-11/16" square, round, or octagon boxes in hanging applications
- Uses existing holes in bottom of box for quick installation

#### KWIK-HANG™ FEATURES

- Use with cable, wire, chain, strut (not included) to secure from building structure
- Quick installation
- Locks securely into position
- Durable steel construction
- Installation instructions included

#### COMPLIANCES

- cULus Listed for static fixtures load of 50 lbs or less
- Satisfies NEC 300.11 for box support
- LISTED for static fixtures load of 50 lbs or less

CATALOG #	DESCRIPTION	RECOMMENDED MAX. LOADS		STD. PKG.	BAR CODE
		CEILING FAN (DYNAMIC) LBS.	FIXTURE (STATIC) LBS.		
<b>Adjustable Bar Hangers</b>					
920	Clip, adjusts 14-1/4" to 22-1/2"	No	10**	25	
922	Clip, adjusts 14-1/4" to 22-1/2"	No	10**	50	—

\*\*UL rated at 16" span on center for 50 lbs.

CATALOG #	DESCRIPTION	STD. PKG.	BARCODE
<b>Box Support Products</b>			
991	KWIK-HANG™ box support hanger	50	—

## ACCESSORIES FOR STEEL BOXES

### “OLD WORK SADDLE” APPLICATION - 970RAC

- The “Old Work Saddle” 907RAC is designed to be used with 2-1/2" deep switch boxes that have plaster ears

### “OLD WORK SADDLE” PRODUCT FEATURE

- 970RAC installs into the 1/2" bottom conduit knockout

### GRIP-LOK® APPLICATION 977, 8977, 8977-5

- The GRIP-LOK support is designed to be used with any deep switch box that has plaster ears

### GRIP-LOK® PRODUCT FEATURE

- Simply slip GRIP-LOK between box and wall, then bend tabs into the box

### APPLICATION - 9008, 9017

- Mounts standard low voltage wall plates, old work (existing walls)

### PRODUCT FEATURES

- For use on low voltage Class 2 circuits only where electrical boxes are not required
- Can be used to mount telephone jacks, computer outlets, security/sound systems, television antennas, etc.
- Fast, precise mounting of low voltage wall plates to walls or studs

### COMPLIANCE

- LISTED

### ADD-A-DEPTH APPLICATIONS - 976

- Add-A-Depth ring or “goof ring” is designed to act as a barrier between combustible wall surfaces and the wiring system
- For single and two-gang device boxes
- There is no UL standard for this product
- Subject to acceptance by an electric inspector

### NEC CODE 314.20

- See page A(3) 2017 Standards

### COMPLIANCE

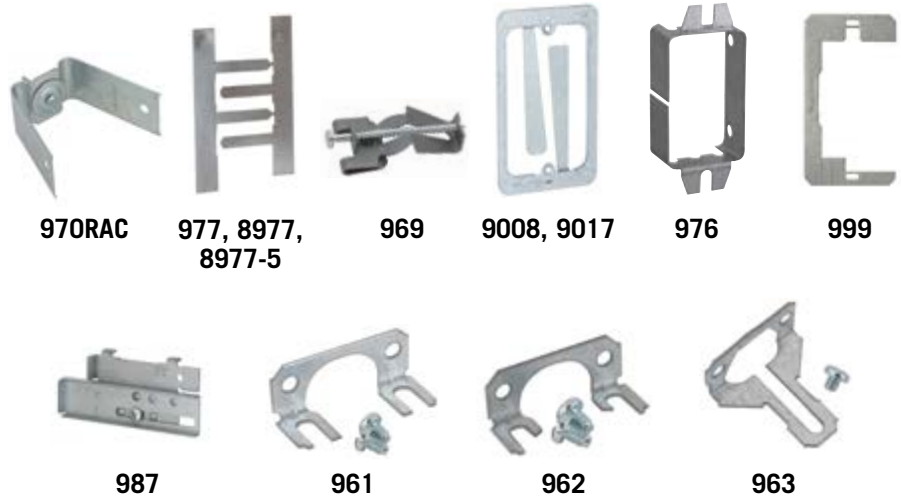
- LISTED

### APPLICATION - 969

- Old work box support clips convert standard switch box to old work type

### PRODUCT FEATURE

- Old work switch box clips for use with 1/2" thick standard drywall



CATALOG #	DESCRIPTION	STD. PKG.	BARCODE
<b>Switch Box Support "Old Work Saddle"</b>			
970RAC	Mounts switch boxes w/ plaster ears in hollow walls or ceilings	10	
<b>GRIP-LOK® "Old Work" Switch Box Support</b>			
977	Supplied as a pair to mount switch box with plaster ears in a hollow wall, 1-7/8" long legs	100 pairs	—
8977	Supplied as a pair to mount switch box with plaster ears in a hollow wall, 1-7/8" long legs	25 pairs	
8977-5*	Supplied as a pair to mount switch box with plaster ears in a hollow wall, 1-7/8" long legs	100 pairs	
<b>Old Work Switch Box Clips</b>			
969	Old Work clips for switch boxes, 1/2" sheetrock	50 pairs	
<b>Low Voltage Mounting Bracket</b>			
9008	New or Old Work 1-gang	100	—
9017	New or Old Work 1-gang	20 Bags**	
<b>Add-A-Depth Ring</b>			
976	Adjustment range 1/4" - 1", two 1-1/8" screws included	25 Bags	
<b>Device Leveling Plate</b>			
999	FLUSH-FIT device leveler	50	—
<b>Box Support</b>			
987	Heavy duty Universal Box Support (UBS)	25	

\*4 Bundles of 25 – sold in carton quantities only

\*\*2 Brackets per polybag

CAT. #	DESCRIPTION	FOR RACO® SWITCH BOXES	STD. PKG.	BAR CODE
<b>Switch Box Support "Old Work Saddle"</b>				
961	Plaster ears - open style with screws	410, 420, 440, 445, 500, 503, 506, 508, 526, 545, 560, 565, 567, 570RAC, 590, 600, 601	100	
962	Plaster ears - clipped style with screws	150, 400, 591	100	
963	Plaster ears - 1 screw style with screws	471, 487, 517, 518, 519, 523	100	—



### CABLE PROTECTOR PLATES



2712, 2712R,  
2712-9R, 2713R  
PUZZLE-PLATES®

2709, 2709-9,  
2710  
Standard Type

701AJT

702AJT

701R

702R

701F

702F

700F

701FG

701RD

702RD

701FD

702FD

CAT. #	CONTRACTOR PACK	DESCRIPTION	LENGTH	MATERIAL THICKNESS	STD. PKG.	BAR CODE
<b>Cable Protector Plates - For wood studs</b>						
2712	—	PUZZLE-PLATE / gangable	2-3/4"	.0510"	100	
2712-9R	Yes	PUZZLE-PLATE / gangable	2-3/4"	.0625"	50	—
2712R	—	PUZZLE-PLATE / gangable	2-3/4"	.0625"	100	
2713R	—	PUZZLE-PLATE / gangable	5"	.0625"	50	
2709	—	Standard type / nongangable	2-9/16"	.0625"	100	
2709-9	Yes	Standard type / nongangable	2-9/16"	.0625"	100	—
2710	—	Standard type / nongangable	2-9/16"	.0625"	200	—

CAT. #	DESCRIPTION	DEVICE PROTECT	STD. PKG.
<b>Raised or Flat Device &amp; Wire Protection Plates</b>			
701AJT	3/4" raised, for 1 device adjustable mudring	GFI, Duplex, Switch	24
702AJT	3/4" raised, for 2 device adjustable mudring	GFI, Duplex, Switch	24
701R	3/4" raised, for 1 device mudring	GFI, Duplex, Switch	24
702R	3/4" raised, for 2 device mudring	GFI, Duplex, Switch	24
701F	Flat, for 1 device mudring	Opening and Wires	100
702F	Flat, for 2 device mudring	Opening and Wires	50
700F	Flat, round 2-3/4" O.C. opening mudring	Opening and Wires	50
701RD	Gangable for RACO 686, 687, & RACO nongangable masonry boxes	For Caddy® MP1S	24
702RD	3/4" raised, low voltage	For Caddy® MP2S	24
701FD	3/4" raised, low voltage	For Caddy® MP1S	50
702FD	3/4" raised, low voltage	For Caddy® MP2S	50
701FG	Flat, gangable for 686, 687, RACO gang masonry boxes	Opening and Wires	100

#### APPLICATION - 701AJT - 701FG

- RACO® protector plates eliminate drywall compound, debris, paint and drywall router bit from entering box or damaging device or conductors

#### PRODUCT FEATURES

- Raised - covers protect Decora, duplex and switch devices

- Flat - covers close off mudring opening to protect wiring from drywall's router bit tools
- Feature patented wire retrieval loop to hold data wire in place

#### PUZZLE-PLATE® CABLE PROTECTORS APPLICATION - 2712 - 2713R

- Protects nonmetallic sheathed cable or raceway type wires running through wood studs from accidental nail, screw, or drill penetration. Also applies to plumbing to protect nonmetallic piping

#### PUZZLE-PLATE® PRODUCT FEATURES

- Innovative, interlocking design does not allow nail or screw penetration through gaps or holes
- Pre-galvanized steel construction for added corrosion protection
- No additional hardware required, just position and hammer down spurs
- Unique interlocking feature allows installer to easily increase area that requires protection

#### COMPLIANCE

- LISTED (not 2712, 2712-9, 2713)

#### NAILING SPUR APPLICATIONS - 2709, 2710

- Protects nonmetallic sheathed cable or raceway type wires running through wood members from accidental nail, screw or drill penetration
- No nails required

#### PRODUCT FEATURE

- Old work

#### COMPLIANCE

- LISTED

## ACCESSORIES FOR STEEL BOXES

### BOX GROUNDING PRODUCTS



982, 994 #14 Wire,  
996, 8996-1, 8983-1,  
983 #12 Wire

984

992 #14 Wire  
993 #12 Wire

998,  
8998-1

973,  
8973-1

975,  
8975-1

#### GROUNDING APPLICATIONS

- RACO® Grounding accessories provide a safe electrical path to ground to help prevent shock
- RACO® Grounding screws thread into the box and provide a means of fastening the ground conductor
- Ground wires fasten to the box and are then connected to wiring system or wiring device
- RACO® 6" and 8" ground pigtails feature 4-way (slotted, phillips, hex-head) combo 10-32 captive screw
- Ground clips provide a quick method of fastening a ground conductor to the edge of a steel outlet box
- Ground clips are designed for use with solid No. 14, 12, and 10 gauge copper conductor or No. 12 and 10 gauge aluminum conductor
- Only one solid ground wire to be installed per ground clip

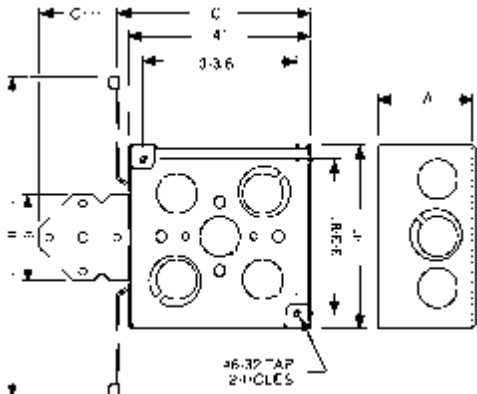
CAT. #	WIRE LENGTH	DESCRIPTION	STD. PKG.	BAR CODE
	6" 8"			
<b>Grounding Pigtails</b>				
982 994		#14 Solid insulated copper wire, captive 4-way combo head green dye finish ground screw one end (25 pc. bundles)	1000	—
983 996		#12 Solid insulated copper wire, captive 4-way combo head green dye finish ground screw one end (25 pc. bundles)	1000	—
8983-1 8996-1		#12 Solid insulated copper wire, captive 4-way combo head green dye finish ground screw one end, poly bag (10 pc. per bag)	40 Bags*	
984		#14 Solid bare copper wire, captive 4-way combo head green dye finish ground screw one end (25 bundles)	1000	—
992		#14 Stranded insulated copper wire, captive 4-way combo head green dye finish ground screw one end, spade terminal one end (100 pc. bundles)	500	—
993		#12 Stranded insulated copper wire, captive 4-way combo head green dye finish ground screw one end, spade terminal one end (100 pc. bundles)	500	—

CAT. #	DESCRIPTION	STD. PKG.	BAR CODE
<b>Grounding Screws and Clips</b>			
988	4-way combo head green dye finish 3/8" ground screw for 10-32 tapped hole, clam shell packaged (100 pc. per clam shell)	1000	
8998-1	4-way combo head green dye finish 3/8" ground screw for 10-32 tapped hole, poly bag (10 pc. per bag)	50 Bags*	
973	Slotted head green dye finish 3/8" ground screw for 10-32 tapped hole, clam shell package (100 pc. per clam shell)	1000	
8973-1	Slotted head green dye finish 3/8" ground screw for 10-32 tapped hole, poly bag (10 pc. per bag)	50 Bags*	
975	Green dye finish ground clip for #14-#10 AWG copper, clam shell package (100 pc. per clam shell)	1000	
8975-1	Green dye finish ground clip for #14-#10 AWG copper, poly bag (10 pc. per bag)	50 Bags*	

\*Order standard package bag quantities only, not per piece

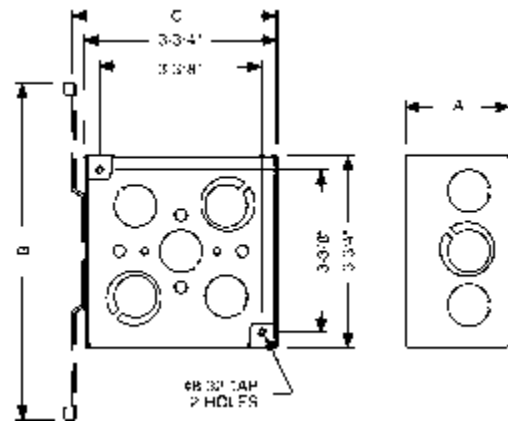
SQUARE BOXES

4" SQUARE CONDUIT BOXES



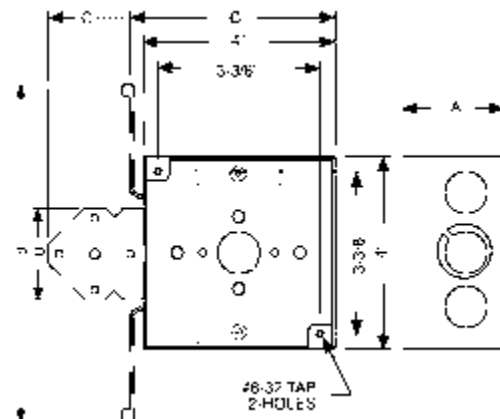
CAT. #	DIMENSIONS		
	A (INSIDE)	B	C
181	1-1/2"	-	-
185	1-1/4"	-	-
187	1-1/2"	-	-
199	1-1/2"	6-7/8"	4-3/8"
202	1-1/2"	-	-
204	1-1/2"	-	-
207	2-1/8"	-	-
226	1-1/2"	-	-
227	1-1/2"	4-5/8"	5-1/2"
236	2-1/8"	7-5/8"	4-3/8"
237	2-1/8"	7-5/8"	4-3/8"
238	2-1/8"	4-5/8"	5-1/2"
239	2-1/8"	-	-
251	2-1/8"	1-31/32"	6"
8197	1-1/2"	7-3/8"	4-3/8"
189, 8189	1-1/2"	-	-
189F	1-1/2"	-	-
189H	1-1/2"	3-1/8"	4-15/16"
189HS	1-1/2"	3-1/8"	4-15/16"
189HWP	1-1/2"	3-1/8"	4-15/16"
189M	1-1/2"	3-1/8"	4-15/16"
189RAC	1-1/2"	-	-
189SM	1-1/2"	-	-
190, 8190	1-1/2"	-	-
191, 8191	1-1/2"	-	-
192, 8192	1-1/2"	-	-
192SM	1-1/2"	-	-
193, 8193	1-1/2"	1-31/32"	6"
196, 8196	1-1/2"	6-7/8"	4-3/8"
201, 8201	1-1/2"	-	-
203, 8203	1-1/2"	-	-
208, 8208	1-1/2"	6-13/16"	5-15/16"
231, 8231	2-1/8"	-	-
232, 8232	2-1/8"	-	-
232F	2-1/8"	-	-
232H	2-1/8"	3-1/8"	4-15/16"
232HS	2-1/8"	3-1/8"	4-15/16"
232HWP	2-1/8"	3-1/8"	4-15/16"
232M	2-1/8"	7"	4-15/16"
232-OW	2-1/8"	-	-
232RAC	2-1/8"	-	-
232SM	2-1/8"	-	-
233, 8233	2-1/8"	-	-
235, 8235	2-1/8"	7"	4-5/16"
911-3	2-1/8"	-	-
911-4	2-1/8"	7-5/8"	4-3/8"
911-6	1-1/2"	-	-
911-9	1-1/2"	-	-

3-3/4" SQUARE CONDUIT BOXES



CAT. #	DIMENSIONS		
	A (INSIDE)	B	C
255	3-1/2"	7-5/8"	3-3/4"
911-1	3-1/2"	7-5/8"	3-3/4"
256	3-1/2"	-	-
911-2	3-1/2"	-	-

4" SQUARE CABLE BOXES

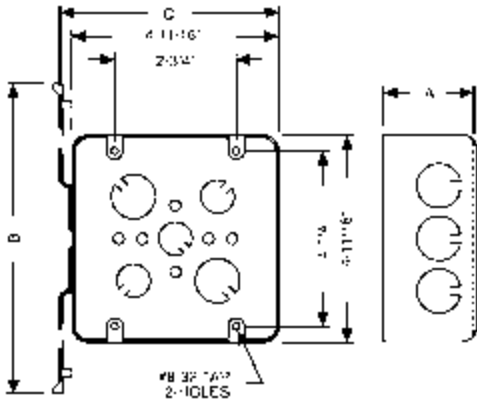


CAT. #	DIMENSIONS		
	A (INSIDE)	B	C
223	1-1/2"	6-7/8"	4-3/8"
224	1-1/2"	1-31/32"	6"
225	1-1/2"	1-31/32"	6"
228	1-1/2"	4-5/8"	5-1/2"
229	1-1/2"	4-5/8"	5-1/2"
242	2-1/8"	-	-
243	2-1/8"	4-5/8"	5-1/2"
248	1-1/2"	-	-
249	2-1/8"	1-31/32"	6"
211, 8211	1-1/2"	-	-
213, 8213	1-1/2"	-	-
213HWP	1-1/2"	3-1/8"	4-15/16"
218, 8218	1-1/2"	6-7/8"	4-3/8"
240, 8240	2-1/8"	7"	4-5/16"
241, 8241	2-1/8"	7"	4-5/16"
248HWP	2-1/8"	3-1/8"	4-15/16"

## DETAILED DRAWINGS

### SQUARE BOXES

#### 4-11/16" SQUARE CONDUIT BOXES

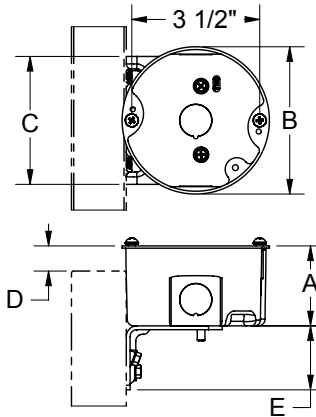


CAT. #	DIMENSIONS		
	A (INSIDE)	B	C
245	1-1/2"	-	-
246	1-1/2"	-	-
247	1-1/2"	-	-
250	1-1/2"	-	-
254	2-1/8"	7-5/8"	5-1/16"
258	2-1/8"	-	-
259	2-1/8"	-	-
260	3-1/4"	-	-
262	2-1/8"	-	-
266	2-1/8"	4-5/8"	6-3/16"
257, 8257	2-1/8"	-	-
257F	2-1/8"	-	-
257H	2-1/8"	-	-
257HS	2-1/8"	-	-
257M	2-1/8"	-	-
257SM	2-1/8"	-	-
258SM	2-1/8"	-	-
265, 8265	2-1/8"	-	-
911-12	2-1/8"	-	-
911-15	3-1/4"	-	-

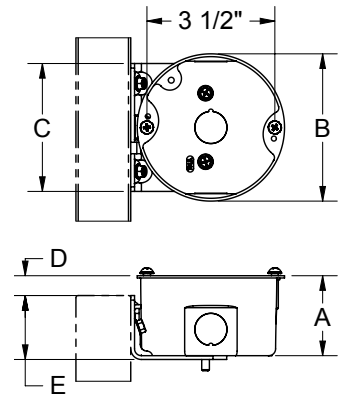
### CEILING FAN SUPPORT PRODUCTS

#### CEILING FAN SUPPORT BOXES

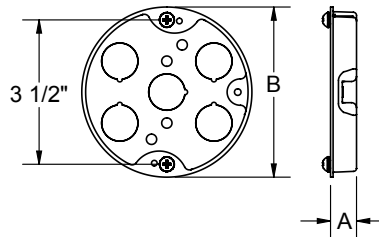
##### 291-1, 294, 294-1 (New Work)



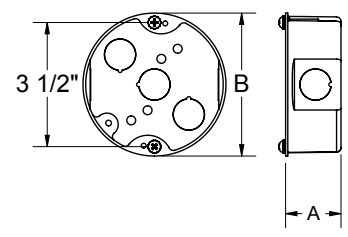
##### 294, 294-1 (Old Work)



##### 295 and 295-1



##### 296 - 299

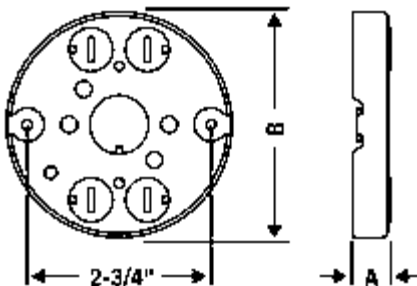


CAT. #	DIMENSIONS				
	A (INSIDE)	B	C	D	E
291-1	1-1/2"	4"	3-1/2"	1/2"	1-3/4"
294, 294-1	2-1/8"	4"	3-1/2"	1/2"	1-3/4"
295, 295-1	1/2"	4"	-	-	-
296, 296-1	1-1/2"	4"	-	-	-
299	2-1/8"	4"	-	-	-

### CEILING PANS

#### CEILING PANS - 3-1/2"

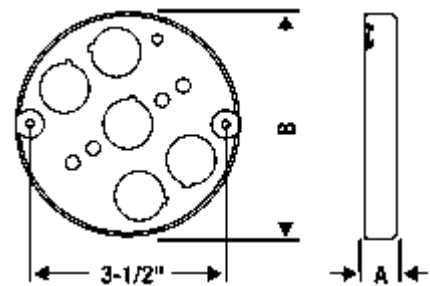
287, 292 AND 8292



CAT. #	DIMENSIONS	
	A (INSIDE)	B
287	11/16"	3-3/8"
292	1/2"	3-3/8"
8292	1/2"	3-3/8"
293	1/2"	4"
8293	1/2"	4"

#### CEILING PANS - 4"

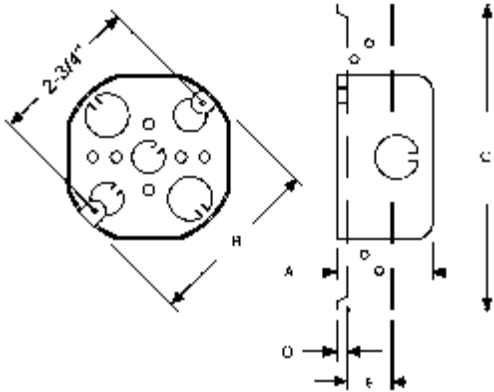
293 and 8293



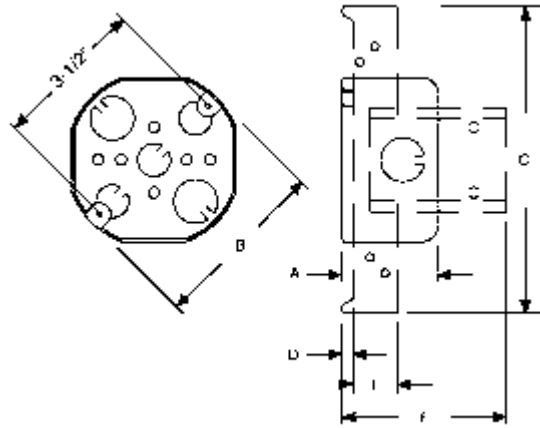


OCTAGON BOXES

3-1/2" OCTAGON BOXES



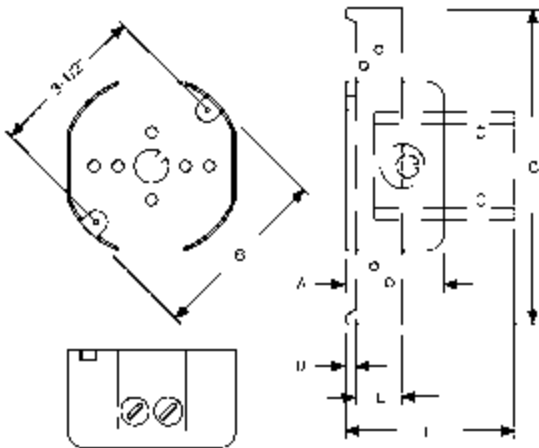
4" OCTAGON CONDUIT BOXES



CAT. #	DIMENSIONS				
	A (INSIDE)	B	C	D	E
110	1-1/2"	3-1/2"	-	-	-
111	1-1/2"	3-1/2"	-	-	-
112	1-1/2"	3-1/2"	-	-	-
119	1-1/2"	3-1/2"	7"	-	1-1/16"

CAT. #	DIMENSIONS					
	A (INSIDE)	B	C	D	E	F
125, 8125	1-1/2"	4"	-	-	-	-
126	1-1/2"	4"	-	-	-	-
127	1-1/2"	4"	-	-	-	-
127TS	1-1/2"	4"	7"	1/2"	1-1/16"	-
128	1-1/2"	4"	-	-	-	-
130	1-1/2"	4"	-	-	-	-
131RAC	1-1/2"	4"	-	-	-	-
158	1-1/2"	4"	2-3/8"	-	-	3-1/8"
165	2-1/8"	4"	-	-	-	-
166	2-1/8"	4"	-	-	-	-
161	1-1/2"	4"	7"	1/2"	1-1/16"	-
167	2-1/8"	4"	-	-	-	-
167TS	2-1/8"	4"	7"	1/2"	1-1/16"	-

4" OCTAGON CABLE BOXES

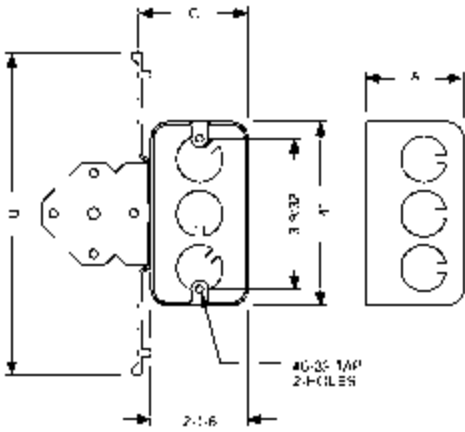


CAT. #	DIMENSIONS					
	A (INSIDE)	B	C	D	E	F
145	1-1/2"	4"	-	-	-	-
146	1-1/2"	4"	-	-	-	-
150	1-1/2"	4"	-	-	-	-
153	1-1/2"	4"	-	-	-	-
155	1-1/2"	4"	7"	1/2"	1-1/16"	-
157	1-1/2"	4"	2-3/8"	-	-	3-1/8"
160	1-1/2"	4"	2-3/8"	-	-	3-1/8"
164	1-1/2"	4"	7"	1/2"	1-1/16"	-
175	2-1/8"	4"	-	-	-	-
176	2-1/8"	4"	2-3/8"	5/8"	-	3-3/4"
177	2-1/8"	4"	7"	1/2"	1-1/16"	-

## DETAILED DRAWINGS

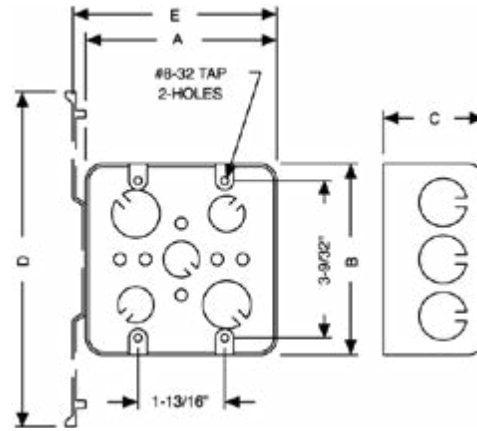
### HANDY BOXES AND SWITCH BOXES

#### HANDY BOXES



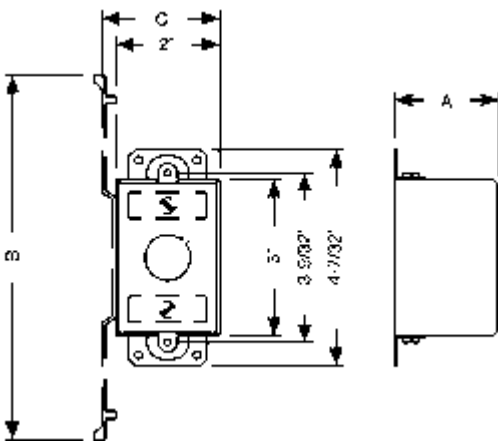
CAT. #	DIMENSIONS		
	A (INSIDE)	B	C
661	1-7/8"	6-7/16"	2-7/32"
662	1-7/8"	7"	2-3/8"
655	1-1/2"	1-31/32"	4-1/8"
670RAC	2-1/8"	-	-
8670	2-1/8"	-	-
674	2-1/8"	-	-
678	2-1/8"	7"	2-3/8"
650, 8650	1-1/2"	-	-
650CSA	1-1/2"	-	-
653	1-1/2"	-	-
660, 8660	1-7/8"	-	-
611	1-7/8"	-	-
660SM	1-7/8"	-	-
663, 8663	1-7/8"	-	-
663SM	1-7/8"	-	-
665	1-7/8"	-	-
671	2-1/8"	6-7/16"	2-7/32"

#### 2-GANG HANDY BOXES / SWITCH BOXES



CAT. #	DIMENSIONS				
	A (INSIDE)	B	C	D	E
680	2-1/8"	4"	4"	-	-
681	2-1/8"	4"	4"	7"	4-9/32"
683	2-1/8"	4"	4"	-	-
685	2-1/8"	4"	4"	7"	4-9/32"

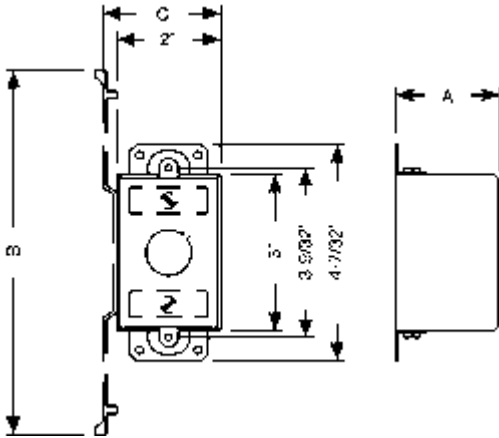
#### 1-GANG AND GANGABLE CONDUIT SWITCH BOXES



CAT. #	DIMENSIONS		
	A (INSIDE)	B	C
400	1-1/2"	-	-
420	2"	-	-
501	2-1/2"	-	-
502	2-1/2"	1-31/32"	4"
503	2-1/2"	-	-
505	2-1/2"	7"	2-13/64"
506	2-1/2"	-	-
508	2-1/2"	-	-
509	2-1/2"	-	-
560	2-3/4"	-	-
561	2-3/4"	-	-
562	2-3/4"	7"	2-13/64"
565	2-3/4"	-	-
591	3-1/2"	-	-
592	3-1/2"	-	-
500, 8500	2-1/2"	-	-
504, 8504	2-1/2"	7"	2-13/64"
590, 8590	3-1/2"	-	-

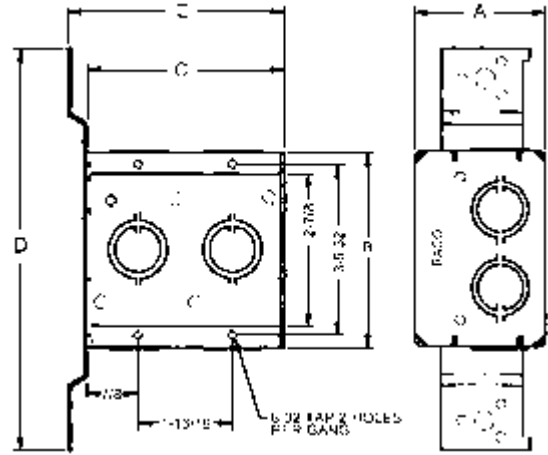
### SWITCH BOXES

#### 1-GANG AND GANGABLE CABLE SWITCH BOXES



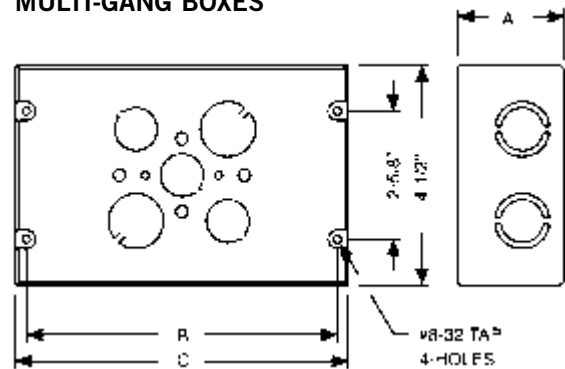
CAT. #	DIMENSIONS		
	A (INSIDE)	B	C
410	1-1/2"	-	-
440	2"	-	-
445	2"	-	-
471	2-1/4"	-	-
473	2-1/4"	-	-
487	2-1/4"	-	-
512	2-1/2"	-	-
517	2-1/2"	-	-
518	2-1/2"	-	-
519	2-1/2"	-	-
522	2-1/2"	1-31/32"	5-3/64"
523	2-1/2"	-	-
526	2-1/2"	1-3/8"	3-13/32"
528	2-1/2"	-	-
529	2-1/2"	1-31/32"	5-3/64"
531	2-1/2"	7"	2-13/64"
540	2-1/2"	1-31/32"	4"
545	2-1/2"	-	-
564	2-3/4"	7"	2-13/64"
567	2-3/4"	-	-
574	2-3/4"	7"	2-13/64"
600	3-1/2"	-	-
603	3-1/2"	1-31/32"	4"
604	3-1/2"	7"	2-13/64"
605	3-1/2"	7"	2-13/64"
524, 8524	2-1/2"	7"	2-13/64"
570RAC	2-3/4"	-	-
601, 8601	3-1/2"	-	-
601G	3-1/2"	-	-

#### MULTI-DEVICE SWITCH BOXES



CAT. #	DIMENSIONS				
	A (INSIDE)	B	C	D	E
686	2-1/2"	3-3/4"	5-9/16"	7-5/8"	5-31/32"
687	2-1/2"	3-3/4"	7-3/8"	7-5/8"	7-25/32"

#### MULTI-GANG BOXES

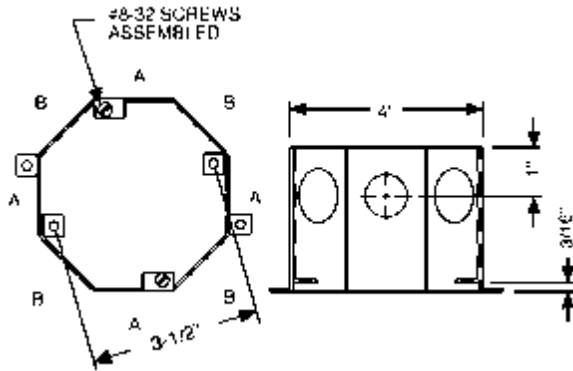


CAT. #	DIMENSIONS		
	A (INSIDE)	B	C
941	2-1/2"	6-3/8"	6-13/16"
942	2-1/2"	8-3/16"	8-5/8"
943	2-1/2"	10"	10-7/16"
944	2-1/2"	11-13/16"	12-1/4"
945	2-1/2"	13-5/8"	14-1/16"
951	1-5/8"	6-3/8"	6-13/16"
952	1-5/8"	8-3/16"	8-5/8"
953	1-5/8"	10"	10-7/16"
954	1-5/8"	11-13/16"	12-1/4"
955	1-5/8"	13-5/8"	14-1/16"
956	1-5/8"	15-7/16"	15-7/8"
957	1-5/8"	17-1/4"	17-11/16"
958	1-5/8"	19-1/16"	19-1/2"

DETAILED DRAWINGS

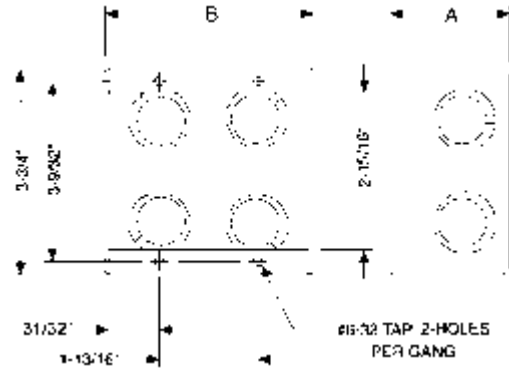
CONCRETE RINGS AND MASONRY BOXES

STEEL CONCRETE RINGS



KNOCKOUT SIZE	DIMENSIONS	
	A	B
1/2" & 3/4"	1/2"	3/4"
3/4" & 1"	3/4"	1"

STEEL MASONRY BOXES

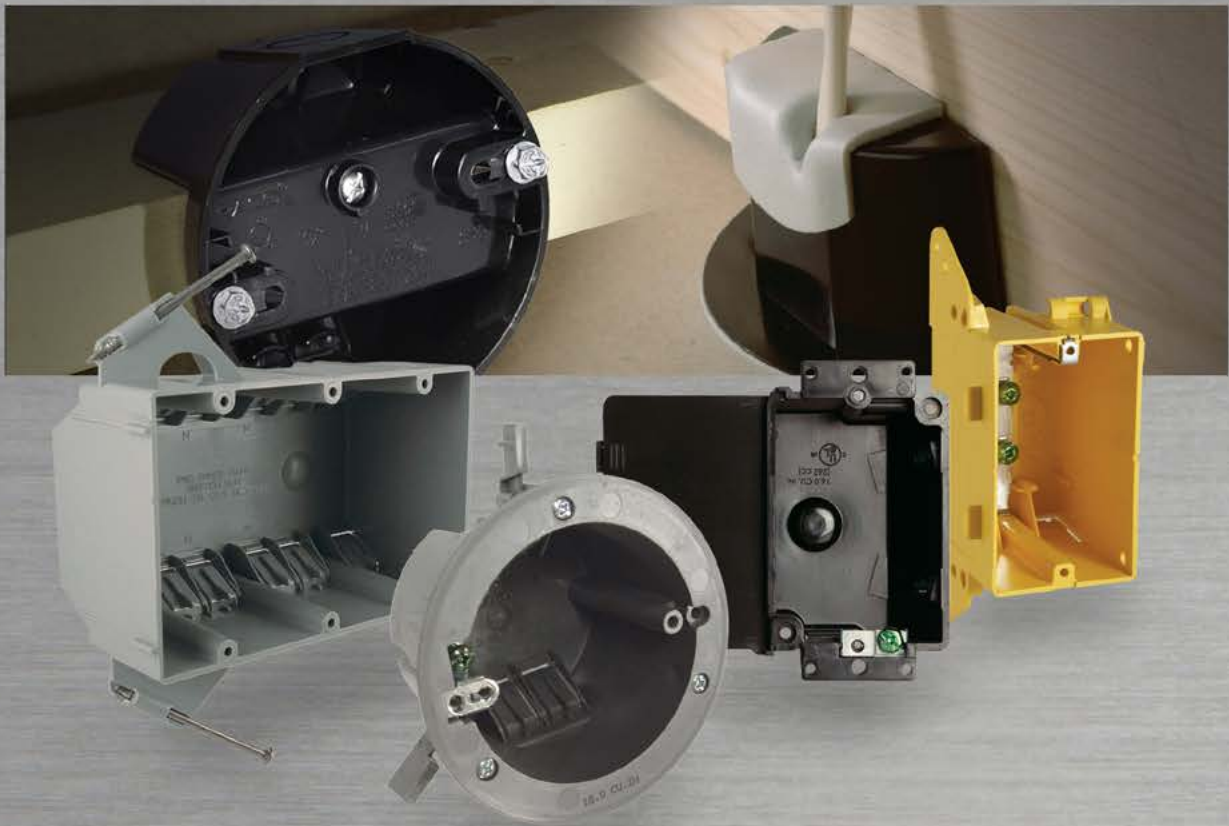


CAT. #	DIMENSIONS	
	A (INSIDE)	B
688	2-1/2"	1-15/16"
690	2-1/2"	1-31/32"
691	2-1/2"	3-25/32"
692	2-1/2"	5-19/32"
693	2-1/2"	7-13/32"
694	2-1/2"	9-7/32"
960	2-1/2"	11-1/32"
689	3-1/2"	5-19/32"
695	3-1/2"	1-31/32"
8695	3-1/2"	1-31/32"
696	3-1/2"	3-25/32"
697	3-1/2"	5-19/32"
698	3-1/2"	7-13/32"
699	3-1/2"	9-7/32"
965	3-1/2"	11-1/32"





## *Nonmetallic Boxes, Covers and Accessories*



## GENERAL INFORMATION

### STANDARDS, 2020 NATIONAL ELECTRICAL CODE®

MOST OFTEN REQUESTED SECTIONS OF THE 2020 NATIONAL ELECTRIC CODE®	HOW RACO® PRODUCTS HELP COMPLETE THE INSTALLATION
<p><b>314.27 (A) Boxes at Lighting Fixture Outlets.</b> Boxes used at lighting fixture luminaire shall be designed for the purpose.</p>	<p>Our octagon boxes are designed for direct mounting of light fixtures of 6 lbs or less.</p> <p>Device boxes are designed for the mounting, (by #6-32 screws), of devices such as snap-switches and receptacles. They are not suitable for support other than for very lightweight devices, such as a smoke alarm unit. (See Article 314.27 (A) (1) or wall fixtures 6 lbs. or less [See 314.27 (A) (1) [Exception].</p>
<p><b>410.20 Space for Conductors.</b> Canopies and outlet boxes taken together shall provide adequate space so that fixture conductors and their connecting devices can be properly installed.</p>	<p>When calculating the minimum cubic inch requirements for an outlet box, the canopy may be included in the calculation. However, the canopy of the fixture/fan needs to be marked with the cubic inch capacity. The volume of an unmarked canopy may be used at the discretion of the local authority having jurisdiction.</p>
<p><b>314.27 (B) Floor Boxes.</b> Boxes listed specifically for this application shall be used for receptacles located in the floor. Exception: Boxes located in elevated floors of show windows and similar locations where the authority having jurisdiction judges them free from physical damage, moisture and dirt.</p>	<p>Only boxes that are UL Listed for the application may be fastened into the floor. RACO® floor boxes are in Section C in this catalog.</p>
<p><b>314.27 (C) Boxes at Fan Outlets.</b> Boxes that support ceiling fans must be listed for that purpose.</p>	<p>At any ceiling outlet that is intended to have a ceiling (paddle) fan installed, a UL Listed outlet box rated for ceiling fan support must be used. RACO offers a complete line of products designed for various applications and mounting needs.</p>
<p><b>410.36 (A) Means of Support — Outlet Boxes.</b> Where the outlet box or fitting will provide adequate support, a fixture shall be attached thereto or be supported as required by Section 314.27(A) (1) for boxes.</p>	<p>All outlet boxes that are intended to be used with fixtures are tested in accordance with UL 514A for steel boxes, UL 514C for plastic boxes. The test does provide an ample margin for safety.</p>
<p><b>406.12, 406.3B, 406.4 Tamper-Resistant Receptacles</b> in dwelling units.</p>	<p>This prevents shocks to small children that like to insert keys, paper clips, etc. into the receptacle slots.</p>

## NONMETALLIC CABLE BOXES



7302RAC, 7820RAC



7873RAC

CATALOG #	DESCRIPTION	CABLE KNOCKOUTS	STD. PKG.	BAR CODE
<b>1-Gang with Captive Nails – For Nonmetallic Sheathed Cable</b>				
7302RAC	2-3/4" Deep, 18.0 Cu. In. (294.9 cm <sup>3</sup> ), Nails, 1/2" Setback	4	100	
7820RAC	3-3/16" Deep, 20.3 Cu. In. (332.6 cm <sup>3</sup> ), Nails, 1/2" Setback	4	100	
7873RAC	3-1/2" Deep, 23.0 Cu. In. (376.8 cm <sup>3</sup> ), Nails, 1/2" Setback	4	100	

### APPLICATIONS

- RACO® Nonmetallic cable boxes are used in branch circuit wiring to splice wires
- Accommodate wiring devices such as switches and receptacles
- Provide excellent protection for wiring system or devices

### PRODUCT FEATURES

- RACO® Nonmetallic cable boxes provide the installer with a cost alternative that is lightweight and easy to install
- Single-gang boxes have knockouts that break out quickly and cleanly for faster installation
- Positioning tabs for fast accurate mounting on studs or joists
- Oversized nail support that resists hammer impact and prevents box deformation

### STANDARD MATERIAL

- Made of heavy-duty PVC (Polyvinyl chloride) compound

### COMPLIANCE

- LISTED
- Boxes are listed for their Electrical Applications (Electrical Codes), UL Green Book
- Boxes are listed for mechanical properties, including the 2-hour Fire Rating, (building codes) UL Orange Book
- Federal Manufacturer's number 28488



## MULTIGANG WITH CAPTIVE NAILS

### NONMETALLIC CABLE BOXES

#### APPLICATIONS

- RACO® Nonmetallic cable boxes are used in branch circuit wiring to splice wires
- Accommodate wiring devices such as switches and receptacles
- Provide excellent protection for wiring system or devices

#### PRODUCT FEATURES

- RACO® Nonmetallic cable boxes provide the installer with a cost alternative that is lightweight and easy to install
- Self-clamping wire entry clamps
- Positioning tabs for fast accurate mounting on studs or joists
- Oversized nail support that resists hammer impact and prevents box deformation

#### STANDARD MATERIAL

- Made of heavy-duty PVC (Polyvinyl chloride) compound

#### COMPLIANCE

- cUL<sup>us</sup> LISTED
- Boxes are listed for their Electrical Applications (Electrical Codes), UL Green Book
- Boxes are listed for mechanical properties, including the 2-hour Fire Rating (except 7645RAC), (building codes) UL Orange Book
- Federal Manufacturer's number 28488



7835RAC



7645RAC



7846RAC



7848RAC



7874RAC

CATALOG #	DESCRIPTION	CABLE CLAMPS	CU. IN. CAP.	STD. PKG.	BAR CODE
<b>2-Gang with Captive Nails for Wood Studs – For Nonmetallic Sheathed Cable</b>					
7835RAC	2-29/32" Deep, Nails	8	32.5 (532.5 cm <sup>3</sup> )	15	IIIIIIII
<b>Multi-gang with Captive Nails for Wood Studs – For Nonmetallic Sheathed Cable</b>					
7645RAC	2-5/8" Deep, 4-Gang, Nails, 1/2" Setback, Bracket Support	12	55.0 (901.2 cm <sup>3</sup> )	25	IIIIIIII
7846RAC	2-3/4" Deep, 3-Gang, Nails, 1/2" Setback	12	44.0 (720.9 cm <sup>3</sup> )	8	IIIIIIII
<b>Multi-gang, Large Capacity, with Captive Nails – For Wood Stud or Face Mount to Wood or Metal Stud – Nonmetallic Sheathed Cable</b>					
7848RAC	3-7/8" Deep, 2-Gang, Nails, 1/2" Setback, Bracket	8	48.0 (786.5 cm <sup>3</sup> )	50	IIIIIIII
7847RAC	3-7/8" Deep, 3-Gang, Nails, 1/2" Setback, Bracket	12	74.0	50	IIIIIIII

SEE END OF SECTION (PG A95) FOR DETAILED DRAWINGS >>



## NONMETALLIC CABLE BOXES



7308RAC



7318RAC



7717RAC

### APPLICATIONS

- RACO® Nonmetallic cable boxes are used in branch circuit wiring to splice wires
- Accommodate wiring devices such as switches and receptacles
- Provide excellent protection for wiring system or devices

### PRODUCT FEATURES

- RACO® Nonmetallic cable boxes provide the installer with a cost alternative that is lightweight and easy to install
- Single-gang boxes have knockouts that break out quickly and cleanly for faster installation
- Positioning tabs for fast accurate mounting on studs or joists

### STANDARD MATERIAL

- Made of heavy-duty PVC (Polyvinyl chloride) compound

### COMPLIANCE

- LISTED
- Boxes are listed for their Electrical Applications (Electrical Codes), UL Green Book
- Boxes are listed for mechanical properties, including the 2-hour Fire Rating, (building codes) UL Orange Book
- Federal Manufacturer's number 28488

CATALOG #	DESCRIPTION	CABLE KNOCKOUTS	STD. PKG.	BAR CODE
<b>1-Gang with Brackets for Metal or Wood Studs – For Nonmetallic Sheathed Cable</b>				
7308RAC	1-1/4" Deep, 8.0 Cu. In. (131.0 cm <sup>3</sup> ), 3/8" Setback, Bracket	2	25	
7318RAC	1-1/4" Deep, 8.0 Cu. In. (131.0 cm <sup>3</sup> ), Flanged, 3/8" Setback	2	25	
7717RAC	2-27/32" Deep, 20.0 Cu. In. (327.7 cm <sup>3</sup> ), Face Mount, 1/2" Setback	4	100	

SEE END OF SECTION (PG A95) FOR DETAILED DRAWINGS >>



## OLD WORK WALL BOXES

### NONMETALLIC CABLE BOXES



7887RAC



7488RAC



7122RAC



7922RAC

#### APPLICATIONS

- RACO® Nonmetallic cable boxes are used in branch circuit wiring to splice wires
- Accommodate wiring devices such as switches and receptacles
- Provide excellent protection for wiring system or devices

#### PRODUCT FEATURES

- RACO® Nonmetallic cable boxes provide the installer with a cost alternative that is lightweight and easy to install
- Self-clamping wire entry clamps
- Extra long, metal swing arms ensure secure installation
- RACO® 7122RAC and 7922RAC feature wrap-around metal clamp to secure box to sheetrock

#### STANDARD MATERIAL

- Made of heavy-duty PVC (Polyvinyl chloride) compound. 7122RAC and 7922RAC are polycarbonate

#### COMPLIANCE

- LISTED
- Boxes are listed for their Electrical Applications (Electrical Codes), UL Green Book
- Boxes are listed for mechanical properties, including the 2-hour Fire Rating, (building codes) UL Orange Book
- Federal Manufacturer's number 28488

CAT. #	DESCRIPTION & SETBACK	CABLE CLAMPS	STD. PKG.	BAR CODE
<b>Old Work Cable Boxes – For Nonmetallic Sheathed Cable</b>				
7887RAC	1-Gang, 2-29/32" Deep, 14.0 Cu. In. (229.4 cm <sup>3</sup> ), Flush Mount	4	50	IIIIIIII
7488RAC	2-Gang, 2-3/4" Deep, 25.0 Cu. In. (409.6 cm <sup>3</sup> ), Flush Mount	6	30	IIIIIIII
7122RAC	3-1/2" Round, 2-13/16" Deep, 18.0 Cu. In. (294.9 cm <sup>3</sup> ), Flush Mount, <b>Recommended Max. Support Loads - 6 Fixture Lbs. (Static)</b>	4	100	IIIIIIII
7922RAC	3-1/2" Round, 2-13/16" Deep, 18.0 Cu. In. (294.9 cm <sup>3</sup> ), Flush Mount, Ground Plate	4	100	IIIIIIII



7220RAC



7232RAC



978



980  
BOX-LOC®

CAT. #	DESCRIPTION & SETBACK	CABLE CLAMPS	STD. PKG.	BAR CODE
<b>4" Square Boxes – For Nonmetallic Sheathed Cable</b>				
7220RAC	1-5/8" Deep, 18.0 Cu. In. (294.9 cm <sup>3</sup> ), Nails	8	8	IIIIIIII
7232RAC	2-5/8" Deep, 32.0 Cu. In. (524.3 cm <sup>3</sup> ), Nails	10	8	IIIIIIII

CAT. #	DESCRIPTION	STD. PKG.	BAR CODE
<b>Accessories</b>			
978	Far-side Box Support	50	—
980	BOX-LOC Metal Stud Clip	50	IIIIIIII

SEE END OF SECTION (PG A95-A96) FOR DETAILED DRAWINGS >>

### NONMETALLIC CABLE BOXES



7119RAC



7919RAC



7823RAC



7824RAC

#### APPLICATIONS

- RACO® Nonmetallic cable boxes are used in branch circuit wiring to splice wires
- Provide excellent protection for wiring system or devices
- For use wherever lighting fixture canopies are to be installed
- Ceiling boxes on this page are not designed for ceiling fan support

#### PRODUCT FEATURES

- RACO® Nonmetallic cable boxes provide the installer with a cost alternative that is lightweight and easy to install
- Self-clamping wire entry clamps
- Round fixture boxes offer an optional front-mounted grounding screw
- Oversized nail support that resists hammer impact and prevents box deformation

#### STANDARD MATERIAL

- Made of heavy-duty engineered compound. Base material is polycarbonate

#### COMPLIANCE

- LISTED
- Boxes are listed for their Electrical Applications (Electrical Codes), UL Green Book
- Boxes are listed for mechanical properties, including the 2-hour Fire Rating, (building codes) UL Orange Book
- Federal Manufacturer's number 28488

CAT. #	DESCRIPTION & SETBACK	CABLE CLAMPS	STD. PKG.	RECOMMENDED MAX. SUPPORT LOADS		BAR CODE
				Ceiling Fan (dynamic)	Fixture Lbs (static)	
<b>3-1/2" Round Ceiling Boxes – With Captive Nails, For Nonmetallic Sheathed Cable</b>						
7119RAC	2-5/8" Deep, 18.0 Cu. In. (294.9 cm <sup>3</sup> ), 1/2" Setback, Nails	4	75	—	50	
7919RAC	2-5/8" Deep, 18.0 Cu. In. (294.9 cm <sup>3</sup> ), 1/2" Setback, Nails, Ground Plate	6	75	—	50	
<b>4" Round Ceiling Boxes – With Captive Nails, For Nonmetallic Sheathed Cable</b>						
7823RAC	2-3/8" Deep, 20.0 Cu. In. (327.7 cm <sup>3</sup> ), Ground Plate, 3/8" Setback, Nails	4	75	—	50	
7824RAC	2-3/8" Deep, 20.0 Cu. In. (327.7 cm <sup>3</sup> ), 3/8" Setback, Nails	4	75	—	50	



## ROUND CEILING BOXES

### NONMETALLIC CABLE BOXES



#### APPLICATIONS

- RACO® Nonmetallic cable boxes are used in branch circuit wiring to splice wires
- Provide excellent protection for wiring system or devices
- RACO® 7907, 7307, 7825, 7826RAC are not designed for ceiling fan support

#### PRODUCT FEATURES

- RACO® Nonmetallic cable boxes provide the installer with a cost alternative that is lightweight and easy to install
- Self-clamping wire entry clamps
- Round fixture boxes offer an optional front-mounted grounding screw
- For use wherever fans (Cat. #7120, 7120-1, 7120-VB only) or lighting fixture canopies are to be installed

#### STANDARD MATERIAL

- Made of heavy-duty engineered compound. Base material is polycarbonate

#### COMPLIANCE

- cUL<sub>us</sub> LISTED
- All versions of RACO 7120 are UL approved for nonmetallic wiring systems
- Boxes are listed for their Electrical Applications (Electrical Codes), UL Green Book
- Boxes are listed for mechanical properties, including the 2-hour Fire Rating, (building codes) UL Orange Book
- Federal Manufacturer's number 28488

CAT. #	DESCRIPTION & SETBACK	CABLE CLAMPS	STD. PKG.	RECOMMENDED MAX. SUPPORT LOADS		BAR CODE
				Ceiling Fan (dynamic)	Fixture Lbs (static)	
<b>3-1/2" Round Ceiling Set-up – For Spanning From Joist to Joist For Nonmetallic Sheathed Cable</b>						
7307*	2-5/8" Deep, 18.0 Cu. In. (294.9 cm <sup>3</sup> ), 1/2" Setback, Nails	4	25	—	10 <sup>Ⓞ</sup>	
7907*	2-5/8" Deep, 18.0 Cu. In. (294.9 cm <sup>3</sup> ), 1/2" Setback, Adj. 14-3/4" - 22-1/2", w/Ground Plate	4	25	—	10 <sup>Ⓞ</sup>	
<b>4" Round Ceiling Set-up – For Spanning From Joist to Joist For Nonmetallic Sheathed Cable</b>						
7826RAC	2-3/8" Deep, 20.0 Cu. In. (327.7 cm <sup>3</sup> ), Adj. 14-3/4" - 22-1/2"	6	25	—	10 <sup>Ⓞ</sup>	
7825	2-3/8" Deep, 20.0 Cu. In. (327.7 cm <sup>3</sup> ), Adj. 14-3/4" - 22-1/2", w/Ground Plate	6	25	—	10 <sup>Ⓞ</sup>	

Ⓞ 10 Lbs. max. load recommended UL Rated for 50 Lbs. on 16" centers.



**7120VB SADDLE-BOX®**



**7120 SADDLE-BOX®**



**7120-1 SADDLE-BOX®**

CAT. #	DESCRIPTION & SETBACK	CABLE CLAMPS	STD. PKG.	RECOMMENDED MAX. SUPPORT LOADS		BAR CODE
				Ceiling Fan (dynamic)	Fixture Lbs (static)	
<b>SADDLE-BOX® 4" Round Ceiling Fan &amp; Fixture Box – For Nonmetallic Sheathed Cable or Conduit</b>						
7120VB	12.5 Cu. In. (204.8 cm <sup>3</sup> )	4	24	70	210	
7120*	12.5 Cu. In. (204.8 cm <sup>3</sup> )	4	20*	70	210	
7120-1	12.5 Cu. In. (204.8 cm <sup>3</sup> )	4	24	70	210	

\* Packaged in a stackable, individual chipboard display cartons.

SEE END OF SECTION (PG A96) FOR DETAILED DRAWINGS >>



NONMETALLIC SHALLOW CABLE BOXES



7322RAC



7322-OW

CAT. #	DESCRIPTION	STD. PKG.	BAR CODE
<b>1-Gang Shallow Trailer Box – For Nonmetallic Sheathed Cable</b>			
7322RAC	1-3/4" Deep, 16.0 Cu. In. (262.1 cm <sup>3</sup> )	50	
7322-OW	1-3/4" Deep, 16.0 Cu. In. (262.1 cm <sup>3</sup> ), Old work wings	50	

**APPLICATIONS**

- RACO® Nonmetallic cable boxes are used in branch circuit wiring to splice wires
- Provide excellent protection for wiring system or devices
- Accommodate wiring devices such as switches and receptacles
- Great for use in trailer applications

**PRODUCT FEATURES**

- RACO® Nonmetallic cable boxes provide the installer with a cost alternative that is lightweight and easy to install
- Self-clamping wire entry clamps
- All outlet boxes have a front-mounted grounding screw with combination straight/Robertson head
- Positioning tabs provide fast, accurate mounting on studs or joists
- grounding screw provided

**STANDARD MATERIAL**

- Made of high strength Noryl®
- Noryl® is a registered trademark of General Electric Corporation

**COMPLIANCE**

- LISTED
- Federal Manufacturer's number 28488



## VAPOR BARRIER

### NONMETALLIC CABLE BOXES



2011FBAR



2022FBAR



2023FBAR



2028FBAR



7120VB  
SADDLE-BOX®

#### APPLICATIONS

- Vapor barrier boxes prevent unwanted penetration of exterior air and help maintain the existing interior environment from elements outside of the structure
- RACO® Nonmetallic vapor barrier cable boxes provide the installer with a cost alter-native that is lightweight and easy to install
- RACO® Nonmetallic cable boxes are used in branch circuit wiring to splice wires
- Accommodate wiring devices such as switches and receptacles
- Serve as fixture support
- Provide excellent protection for wiring system or devices

#### PRODUCT FEATURES

- Self-clamping wire entry clamps
- 7120VB boxes have a front-mounted grounding screw with combination straight/Robertson head
- Vapor/air barrier flange and integral wire entry seal provides superior energy savings and quick installation
- Hands free installation
- For 1/2", 5/8", or 3/4" drywall
- Unique saddle design straddles standard joists - 7120VB
- 7120VB prevents unwanted penetration of exterior air and helps maintain the existing interior environment from the elements outside the structure
- Fits any 1-1/2" wide joist

CAT. #	DESCRIPTION & SETBACK	CABLE CLAMPS	STD. PKG.	RECOMMENDED MAX. SUPPORT LOADS		BAR CODE
				Ceiling Fan (dynamic)	Fixture Lbs (static)	
<b>Vaper Barrier Cable Boxes</b>						
2011FBAR	2-3/4" Deep, 18.0 Cu. In. (294.9 cm <sup>3</sup> ), 1/2" Setback	4	50	—	50	
2022FBAR	2-3/4" Deep, 35.2 Cu. In. (576.8 cm <sup>3</sup> ), 1/2" Setback	8	50	—	50	
2023FBAR	2-3/4" Deep, 52.6 Cu. In. (862 cm <sup>3</sup> ), 1/2" Setback	12	25	—	50	
<b>4" Round Vapor Barrier Cable Box – For Ceiling</b>						
2028FBAR	2-5/8" Deep, 28.1 Cu. In. (460.5 cm <sup>3</sup> ), 1/2" Setback	4	40	—	50	
<b>4" Round Vapor Barrier Cable Box – For Ceiling</b>						
7120VB	2-5/8" Deep, 12.5 Cu. In. (204.8 cm <sup>3</sup> ), 1/2" Setback	4	24	70	210	

#### STANDARD MATERIAL

- Made of high strength Noryl®
- Noryl® is a registered trademark of General Electric Corporation

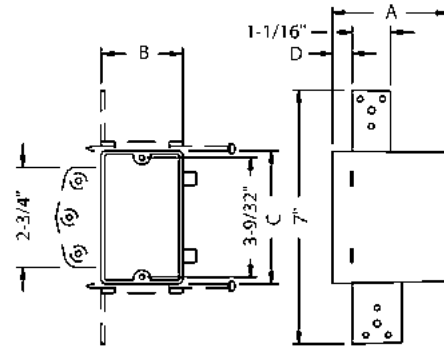
#### COMPLIANCE

- c(UL)us LISTED
- Federal Manufacturer's number 28488

### NONMETALLIC CABLE BOXES

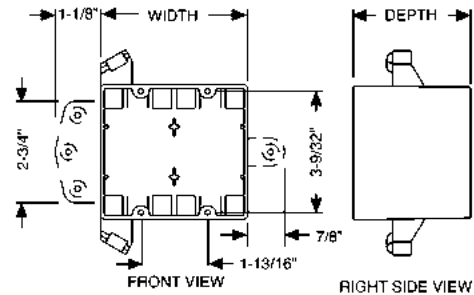
#### Nonmetallic Outlet Boxes

CATALOG NUMBER	A	B	C	D
7302RAC	2-3/4"	2-1/4"	3-19/32"	1/2"
7820RAC	3-3/16"	2-1/4"	3-19/32"	1/2"
7873RAC	3-1/2"	2-1/4"	3-19/32"	1/2"
7308RAC	1-1/4"	2-3/8"	3-1/2"	3/8"
7318RAC	1-1/4"	2-3/8"	3-1/2"	—
7717RAC	2-27/32"	2-1/4"	3-19/32"	1/2"
7848RAC	2-27/32"	2-1/4"	3-19/32"	5/8"
7874RAC	3-3/16"	2-1/4"	3-19/32"	5/8"



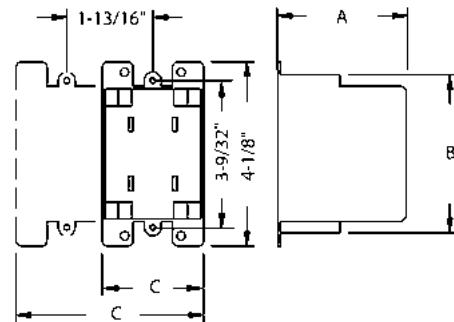
#### Multi-gang Outlet Boxes

CATALOG NUMBER	GANG	WIDTH	DEPTH
7835RAC	2	4"	2-29/32"
7645RAC	4	7-5/8"	2-5/8"
7846RAC	3	5-7/8"	2-3/4"
7848RAC	2	4"	3-31/32"
7874RAC	3	8-7/16"	3-31/32"



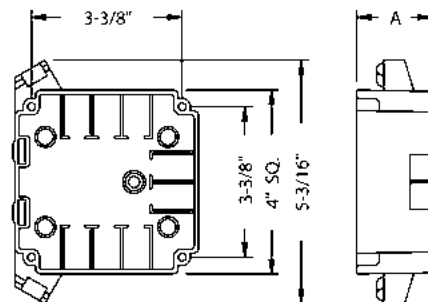
#### Old Work Nonmetallic Outlet Boxes

CATALOG NUMBER	GANG	A	B	C
7887RAC	1	2-29/32"	3-1/8"	2-1/4"
7488RAC	2	2-3/4"	4"	3"



#### 4" Square with Captive Nails for Metal or Wood Studs

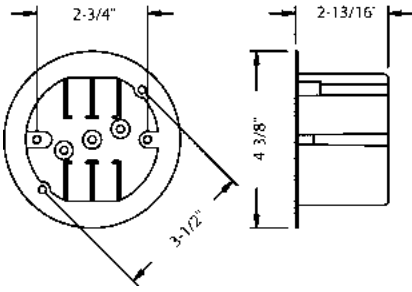
CATALOG NUMBER	A (DEPTH)
7220RAC	1-5/8"
7232RAC	2-5/8"



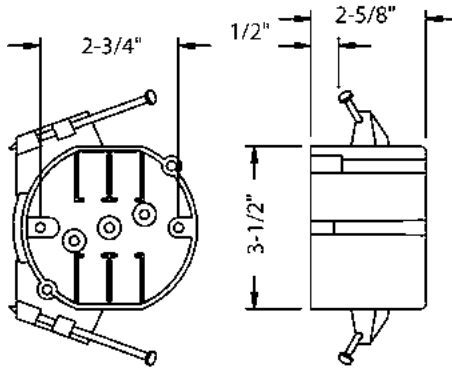
## DETAILED DRAWINGS

### NONMETALLIC CABLE BOXES

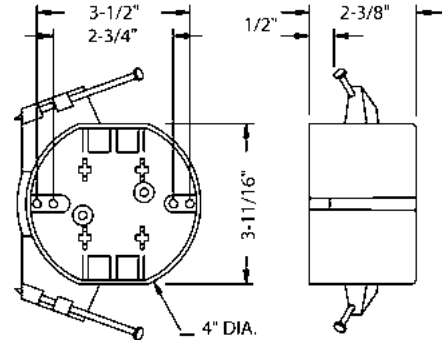
CATALOG NO'S 7122RAC, 7922RAC



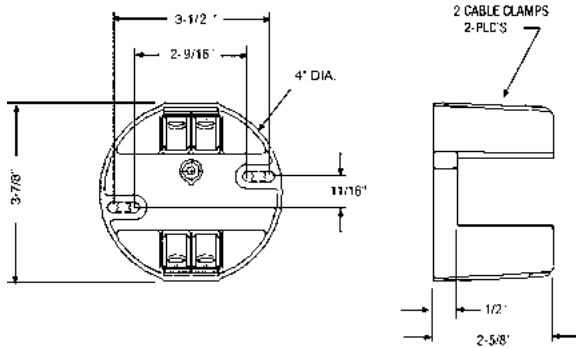
CATALOG NO'S 7119RAC, 7919RAC



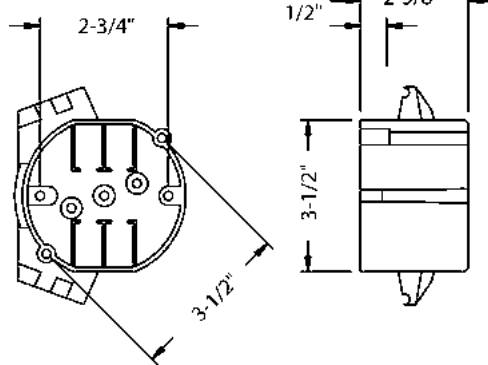
CATALOG NO'S 7823RAC, 7824RAC



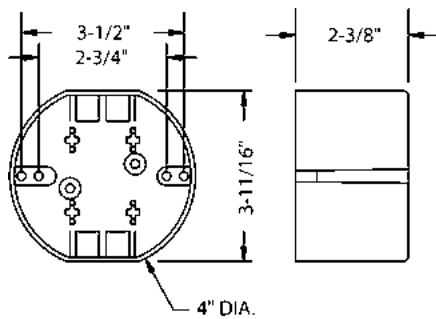
CATALOG NO'S 7120, 7120-1, 7120VB



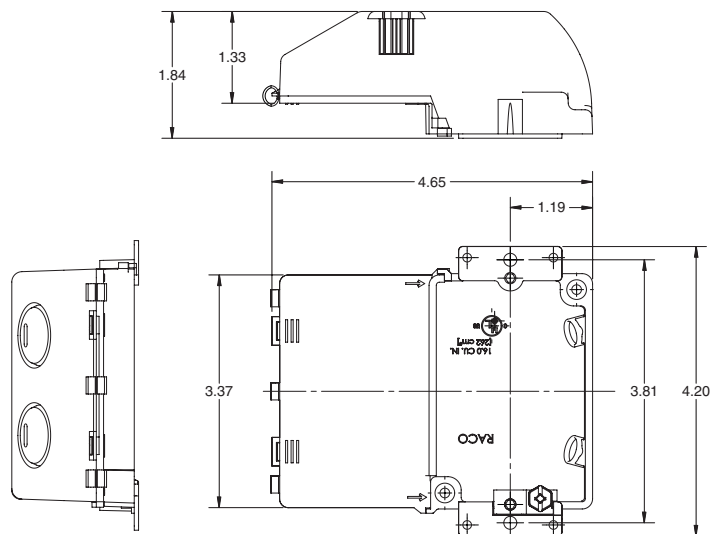
CATALOG NO'S 7307, 7907



CATALOG NO'S 7825, 7826RAC



CATALOG NO'S 7322, 7322-OW







## *Floor Boxes*



## GENERAL INFORMATION

### GENERAL INFORMATION

RACO® floor boxes are ideally suited for heavy floor traffic applications, such as shopping malls, retail stores, banks and schools. Floor boxes are installed in poured concrete floors and are fed with conduit. RACO's complete line includes both single service and three-service (power and voice/data) floor boxes, which are available in cast iron, stamped steel and PVC plastic. Floor box covers and carpet flanges are offered in brushed brass and textured thermoplastic in two designer colors, ivory and gray. RACO floor boxes:

- Are used in branch circuit wiring
- Accommodate wiring devices such as receptacles for voice/data
- Provide excellent protection for wiring system or devices
- Must be closed with a cover
- Permit access to conductors for maintenance

### NON-ADJUSTABLE STYLE FEATURES

This type of box has no means for adjustment. It is usually installed in wooden floors or used for retrofit in concrete:

RACO quality non-adjustable floor boxes feature:

- Rugged cast iron for strength and ground continuity
- Factory-installed ground wire
- Simple one-piece floor box design offers flexibility for power outlet or voice/data outlets
- Conveniently positioned conduit entries are tapped and plugged

### FULLY-ADJUSTABLE FLOOR BOX FEATURES

This type of box has leveling screws for height and leveling adjustments to be made before the concrete is poured, and final leveling adjustments after the concrete is poured. The maximum leveling adjustment is a 7° tilt.

Fully-adjustable floor boxes feature:

- Concrete-tight floor boxes for use in power or voice/data
- Cast Iron boxes classified as watertight and concrete-tight, typically used below grade where excessive moisture is present.
- Choice of materials - stamped steel or cast iron
- Cast iron floor box including factory installed ground wire, and multiple gang boxes with one ground wire per gang
- Multiple gang boxes provided with low voltage partitions
- Ample wiring space for any combination of power outlet or voice/data outlets

### STANDARD MATERIALS

- Nonmetallic floor box is made of heavy-duty PVC (Polyvinyl chloride) compound. Base material is recycled
- Steel floor boxes are made of .0625 inch thick steel
- Cast iron floor boxes are made from cast iron having a high tensile strength
- Solid brass covers and carpet flanges
- Nonmetallic floor box covers and carpet flanges are made of high strength thermoplastic (ABS)

### STANDARD FINISHES

- Natural gray finish on nonmetallic floor box
- Nonmetallic floor box covers and carpet flanges are available in gray powder coat paint finish
- Steel boxes have a zinc coating
- Cast iron floor boxes have a gray powder coat paint finish
- Solid brass covers and carpet flanges have a brushed finish

### COMPLIANCES

Floor boxes are subject to the same code requirements and minimum conductor fill requirements as other boxes. RACO floor boxes carry the following compliances:

- UL Standard 514-A
- Boxes are listed for their Electrical Applications (Electrical Codes), UL Green Book
- Federal Manufacturer's number 28488

### REFERENCE DATA

- Minimum wiring capacity calculation can be found on pages A8 of this catalog

### FLOOR BOX INSTALLATION

Installing a fully-adjustable floor box in a poured concrete floor: RACO provides with all box assemblies or flanges a metallic concrete cover. The concrete cover permits pouring concrete to the top of the box. The cover is then easily removed after the pour. To install the box:

- Locate box and install conduit in accordance with local codes
- Secure box to reinforcing bar (mesh)
- Make pre-pour height and leveling adjustments
- Grease inside of cement cover and install on box
- Grease outside of cement cover
- Apply bead of grease on exposed portion of adjusting collar
- Tape cement cover to box
- Pour concrete
- After the concrete has set, remove the concrete cover
- Pull wires and install wiring device
- Make final pour adjustments, and grout around the box if required
- Install cover plates and/or accessories

STANDARDS, 2020 NATIONAL ELECTRICAL CODES®

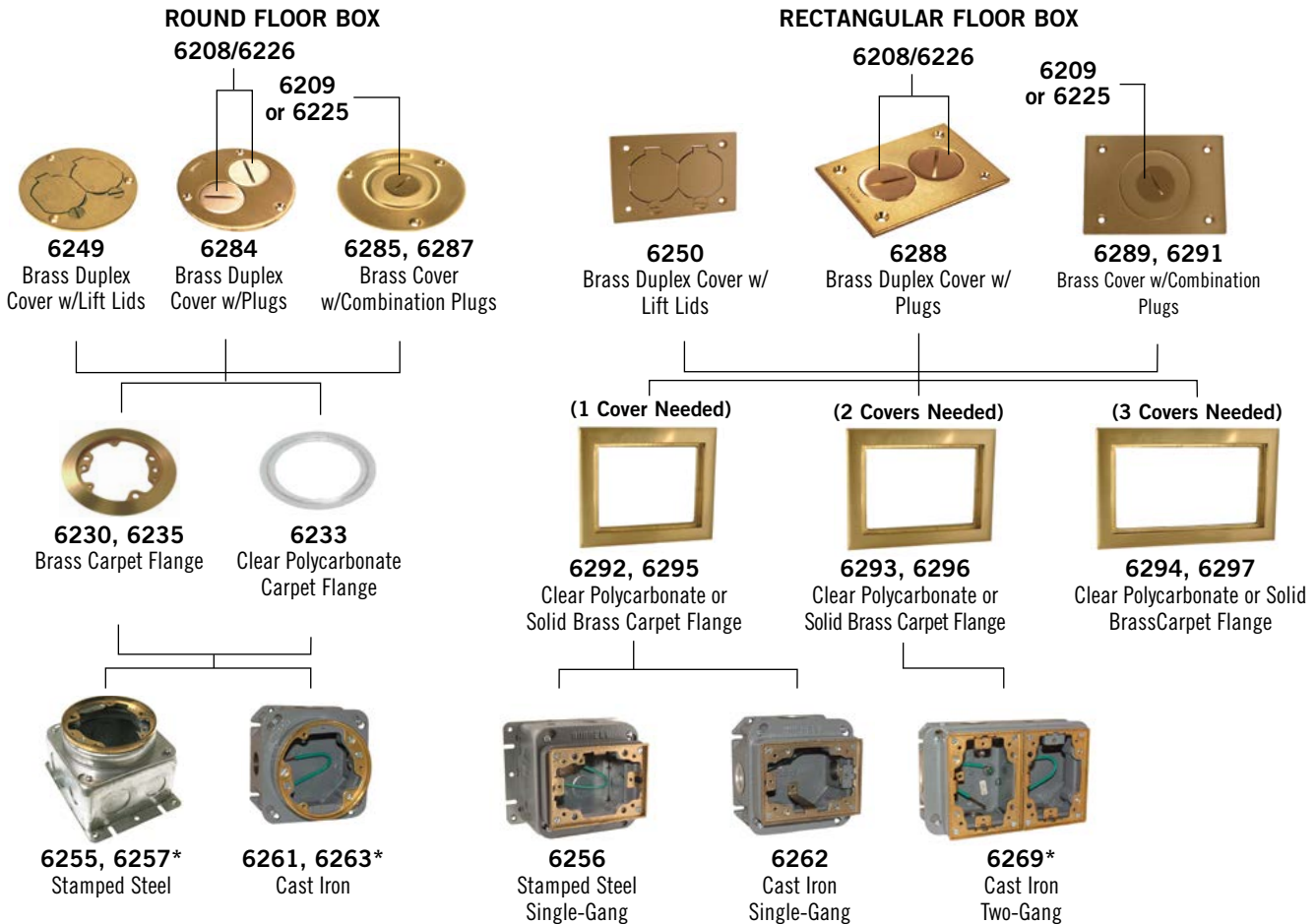
SUMMARY OF THE MOST OFTEN REQUESTED SECTIONS OF THE 2020 NATIONAL ELECTRICAL CODE®	HOW RACO® PRODUCTS HELP COMPLETE THE INSTALLATION
<p>210-52 (a) Dwelling Unit Receptacle Outlets - General Provisions. In every kitchen, family room, dining room, living room, parlor, library, den, sun room, bedroom, recreation room, or similar room or area of dwelling units, receptacle outlets shall be installed so that no point along the floor line in any wall space is more than 6 feet, measured horizontally, from an outlet in that space, including any wall space 2 feet or more in width and the wall space occupied by fixed panels in exterior walls, but excluding sliding panels in exterior walls. The space afforded by fixed room dividers, such as freestanding bar-type counters or railings, shall be included in the 6-foot measurement.</p>	<p>Every 6 feet along the wall surface there should be a receptacle outlet regardless of the room within the dwelling. The purpose of this Article is to eliminate extension cords that are used within the dwelling. Electrically overloaded extension cords are often a source of fires. Installation of a RACO floor box may help alleviate the need for extension cords by locating receptacles where no wall outlets are installed. Receptacle outlets in floors can be counted as part of the required number of receptacles if they are within 18 inches of the wall.</p>
<p>250-146 Connecting Receptacle Grounding Terminal to Box. An equipment bonding jumper shall be used to connect the grounding terminal of a grounding-type receptacle to a grounded box. Exception (c): Floor boxes designed for and listed as providing satisfactory ground continuity between the box and the device.</p>	<p>All RACO floor boxes are designed and listed for having ground continuity without an equipment bonding jumper. RACO does provide on all of its cast floor boxes a factory-installed ground wire.</p>
<p>314.27(B) Outlet Boxes —Floor Boxes. Boxes listed specifically for this application shall be used for receptacles located in the floor. Exception: Boxes located in elevated floors of show windows and similar locations where the authority having jurisdiction judges them to be free from physical damage, moisture, and dirt.</p>	<p>Only boxes that are UL Listed for the application may be fastened into the floor.</p>
<p>800.133 (A) (1) (d) Installation of Communications Wires, Cables, and Equipment — Electric Light or Power Circuits. Communications conductors shall not be placed in any raceway, compartment, outlet box, junction box, or similar fitting with conductors of electric light or power circuits or Class 1 circuits.</p>	<p>This section applies when power and voice/data are brought to one enclosure. A means of dividing the wiring is required. Voltage dividers are available for the following floor box types: PVC floor box and rectangular fully-adjustable.</p>

## QUICK SELECTION GUIDE

### NONADJUSTABLE FLOOR BOX SYSTEM



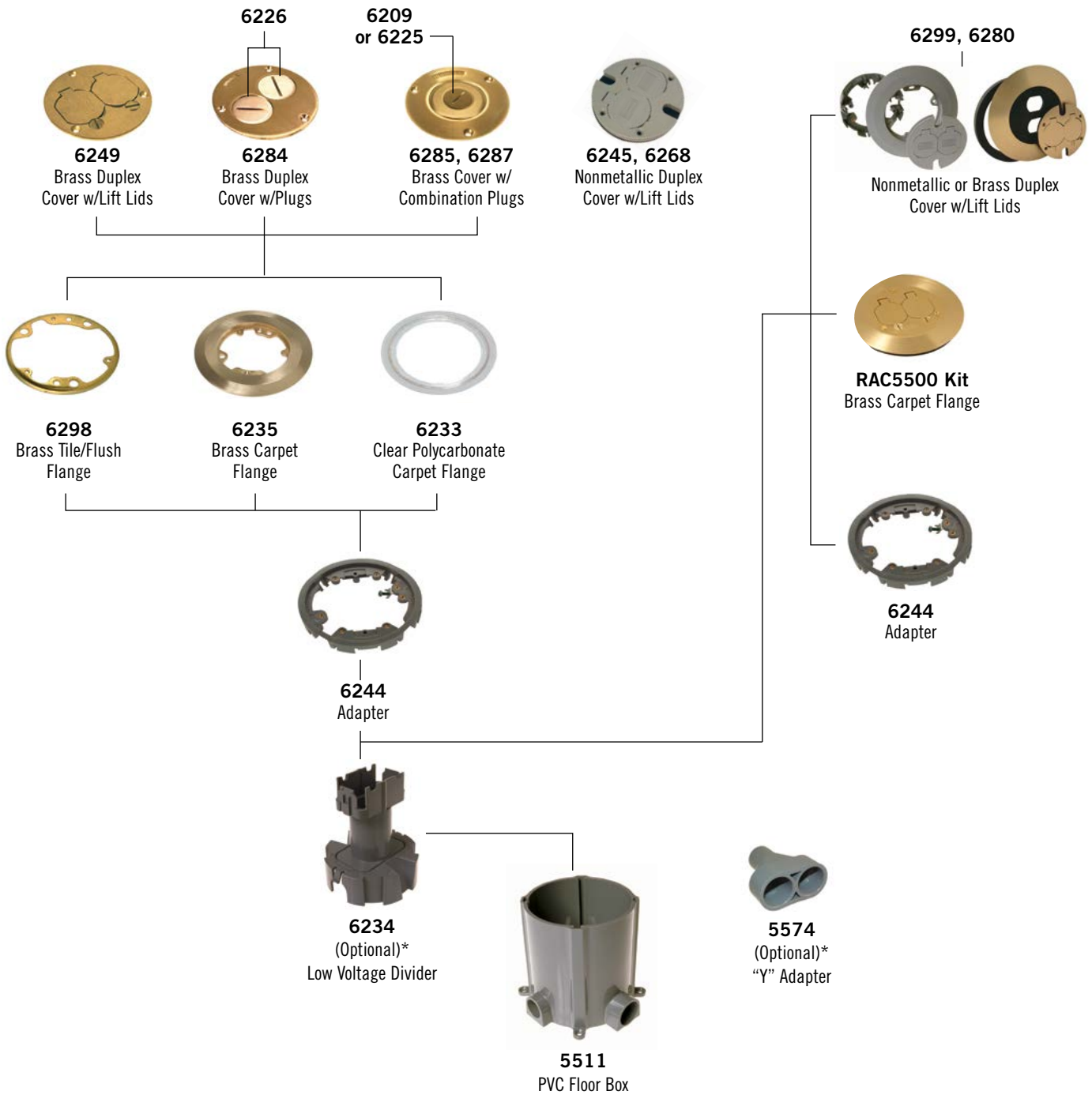
### FULLY ADJUSTABLE FLOOR BOX SYSTEM



\* Included brass tile ring must be removed and discarded before installation of brass carpet flanges. Polycarbonate flanges are installed between box and included brass ring.



**PVC FLOOR BOX SYSTEM**



\* Nonmetallic Box – Multi-Service Option: A voltage separation units allows the nonmetallic box to be used for telephone/ data service as well as power. As shown, the unit has two pieces. The lower portion has openings on opposite sides for power wires and ramps on the other two sides for telephone/data wires. Power wires run inside tube and attach to duplex receptacle. Telephone/data wires run outside of tube and pass through grommet(s) in the cover.

Before installing lower part of voltage separation unit, cut off the same amount from the tube as you cut off the box. Complete the installation of the carpet flange, duplex receptacle and cover.

## NONMETALLIC

### FOR CONCRETE POUR - NONMETALLIC



5511



6234



5574



6244

#### APPLICATIONS

- Used in branch circuit wiring
- Accommodate wiring devices for various receptacles
- Permit access to conductors for maintenance

#### GENERAL FEATURES

- RACO® Nonmetallic floor box has been engineered from the inside out with features that reduce installation time and offer increased capabilities from one box in power, voice and data
- Hubbell® nonmetallic floor boxes are economical to install and easy to level off
- A wide choice of cover materials and finishes are available
- 3" minimum pour depth

#### LOW VOLTAGE DIVIDER FEATURES

- Installs inside 5511 floor box for multi-service applications. Use separate conduit runs for power and voice/data cables
- Accepts Hubbell® standard duplex receptacles or 15A Twist-Lok® duplex receptacles (HBL 4700 series)
- Power capacity - 19.6 cubic inches plus 2.40 cubic inches per inch of tube

CAT. #	DESCRIPTION	STD. PKG.	BAR CODE
<b>Round Floor Box Cover and Accessories – Nonmetallic</b>			
5511	19.5 Cu. In. Capacity per Inch of Height, 2 - 1" and 3/4" Openings	1	—
6234	Voltage Separation Unit, Optional	4	—
5574	3/4" Y Adapter, PVC	10	—
6244	Adapter Ring for all Nonmetallic and Brass Flanges	10	—

#### ADAPTER RING FEATURES

- High-strength rigid non-corrosive PVC construction
- Large capacity box: 100 cubic inches of volume (before cut)
- Molded T-slots permit the adapter ring to be secured to the box no matter where the box has been cut
- One-piece box with pre-molded conduit hubs
- RACO® Y-Adapter permits two parallel feeds of 3/4" conduit, or feed in/out of the same side

#### COMPLIANCE

- cUL<sub>us</sub> LISTED

NONMETALLIC / ROUND



6299



6233



6245, 6268

CAT. #	DESCRIPTION	CARPET FLANGE O.S.DIA.	STD. PKG.	BAR CODE
<b>Floor Box Cover Assembly Kits – Nonmetallic</b>				
6299	Adapter, Nonmetallic Gray Carpet Flange, Gray Duplex Cover - Kit	6-1/2"	10	
<b>Replacement Covers and Carpet Flanges – Nonmetallic</b>				
6233	Clear Polycarbonate Carpet Flange	5-1/4"	15	
6245	Ivory Nonmetallic Duplex Cover with Lift Lids	—	10	—
6268	Gray Nonmetallic Duplex Cover with Lift Lids	—	10	—

**APPLICATIONS**

- RACO® Nonmetallic floor box covers and flanges provide a quick, simple method of completing floor box installation on carpeted floor

**PRODUCT FEATURES**

- RACO® Nonmetallic carpet flanges and covers are available in gray or in ivory finish
- Covers are outfitted with duplex flaps that automatically close when not in use, preventing breakage and eliminating a potential trip hazard
- Cover design keeps debris out when receptacles are not in use
- Hubbell® RACO® carpet flanges and covers install quickly and easily with provided screws
- 3-service floor box cover with duplex flap, two 1/2" diameter low-voltage knockouts. Each low-voltage knockout can accommodate up to (1) 25 pair telephone cable or (1) 50 wire data communication cable NOTE: Brass cover is not 3-service

**COMPLIANCE**

- cUL<sup>us</sup> LISTED

FLOOR BOX COVERS AND FLANGES



**APPLICATIONS**

- Floor box flanges and covers are used to complete floor box installations on either carpet or tile

**PRODUCT FEATURES**

- Brass floor box covers are designed to be used with round RACO® carpet and tile flanges and RACO round full adjustable stamped steel and cast iron floor boxes
- Flanges are designed to be installed to RACO adapter ring, catalog number 6244
- 6230 is not designed to work with RACO 5511 nonmetallic floor box
- Hubbell® RACO® carpet flanges, tile flanges and covers install quickly and easily with provided screws
- Order of installation:
  1. Install RACO floor box
  2. Install nonmetallic adapter ring (if round 5511 nonmetallic box is used)
  3. Install device to box or 6244 adapter
  4. Install carpet or tile flange
  5. Install cover to carpet or tile flange

**COMPLIANCE**

-  LISTED

CAT. #	DESCRIPTION	CARPET FLANGE O.S. DIAMETER	STD. PKG.	BAR CODE
<b>Round, Solid Brass Floor Box Cover Kit</b>				
RAC5500KIT	Round, Brass Cover Kit	6-1/4"	10	
6280	Brass Carpet Flange, Adapter and Duplex Cover Kit	6-1/2"	10	

CAT. #	DESCRIPTION	STD. PKG.	BAR CODE
<b>3-7/8" Dia., Round Covers – Brass</b>			
6249	Brass Duplex Cover with Lift Lids	40	
6284	Brass Duplex Cover with 2, 1-1/2" Threaded Plugs	40	
6285	Brass Cover with 2-1/8" x 1" Combination Plugs	40	
6287	Brass Cover with 2-1/8" x 3/4" Combination Plugs	40	

CAT. #	DESCRIPTION	CARPET FLANGE O.S. DIAMETER	STD. PKG.	BAR CODE
<b>Carpet Flanges</b>				
6230	Brass Carpet FLange, Mop-tight	5-1/4"	10	
6235	Brass Carpet Flange*	6-1/4"	10	

\*6235 not UL Listed

CAT. #	DESCRIPTION	TILE FLANGE O.S. DIAMETER	STD. PKG.	BAR CODE
<b>Tile Flange</b>				
6298	Brass Tile/Flush Application Flange	4-3/16"	15	



FLOOR BOXES FOR WOOD FLOORS



6224



6223

CAT. #	THREADED / HUBS		CUBIC INCHES	STD. PKG.	BAR CODE
	SIDE	BOTTOM			
<b>Duplex Receptacle Assembly</b>					
6224	—	2-1/2"	18.5 (303.1 cm <sup>3</sup> )	4	
<b>Floor Box</b>					
6223	—	2-1/2"	18.5 (303.1 cm <sup>3</sup> )	4	

**APPLICATIONS**

- RACO® wood floor boxes provide flush service for power or voice/data
- Non-adjustable floor boxes may be used in wood or concrete floors and are suitable for carpet, tile or wood floor applications

**PRODUCT FEATURES**

- Boxes are non-adjustable
- Cast iron, water-tight
- Gray powder coat paint inside and out for additional corrosion resistance
- 1/2" and 3/4" threaded conduit openings are standard; all bottom openings are accessible
- If floor covering is used, discard included brass flush ring and replace with RACO® 6230 or 6235 brass carpet flange
- RACO® 6224 includes box, 6249 brass duplex cover with lift lids, and brass tile flange. Receptacle is not included
- RACO® 6223 - for use with any RACO 3-7/8" diameter brass cover (6249, 6284, 6285, 6287). Cover must be ordered separately, brass tile flange included

**COMPLIANCE**

-  LISTED

### FLOOR BOX ASSEMBLIES



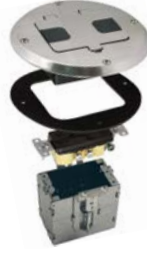
6500BR-5



6500NI-5



6239BP



6239NI,  
6239SS



6239BK



6RF151SR

#### APPLICATIONS

- Floor box kits are used to complete floor box installations on either carpet, tile, or wood floors

#### PRODUCT FEATURES: 6236 AND 5236

- back wiring - clamp type terminals accepts up to #10 wire
- 15A, 125V tamper resistant receptacle
- Brass finish cover plate is .058" thick, and 2-3/4" wide x 4-1/2" long
- 6236 includes 3-1/2" deep box

#### PRODUCT FEATURES: 6500BR

#### ANS 6500NI

- Contains low profile, 15A 125V tamper resistant receptacle

#### PRODUCT FEATURES: 6239BP, 6239NI, 6239SS AND 6239BK

- Can be used for power/data
- 15A, 125V tamper resistant receptacle
- Removable neoprene gaskets allow for independent use of either side of the receptacle with cover closed
- Recessed receptacle minimizes plug protrusion

#### PRODUCT FEATURES: 6RF151SR

- Has solid brass cover and flange
- 15A, 125V tamper resistant receptacle
- Self leveling, easy screw fastening

#### COMPLIANCE

-  LISTED

CAT. #	KNOCKOUTS / HUBS		CUBIC INCHES	STD. PKG.	BAR CODE
	SIDE CONDUIT	SIDE CONDUIT			
<b>Rectangular, Metallic Floor Box Kit – Brass Finish or Nickel Finish Cover Plate</b>					
6500BR-5	2 - 1/2"	4 - 1/2"	18.5 (303.1 cm <sup>3</sup> )	5	
6500NI-5	2 - 1/2"	4 - 1/2"	18.5 (303.1 cm <sup>3</sup> )	5	

CAT. #	DESCRIPTION	CUBIC INCHES	STD. PKG.	BAR CODE
<b>Round, Recessed Floor Boxes – Brass, Nickel, Stainless or Black Finish</b>				
6239BP	Round, Brass Finish	28.0 (458.9 cm <sup>3</sup> )	10	
6239NI	Round, Nickel Finish	28.0 (458.9 cm <sup>3</sup> )	10	
6239SS	Round, Stainless Steel Finish	28.0 (458.9 cm <sup>3</sup> )	10	
6239BK	Round, Black Finish	28.0 (458.9 cm <sup>3</sup> )	10	
<b>Round, Recessed Floor Boxes – Brass, Nickel, Stainless or Black Finish</b>				
6RF151SR	Round, Drop-in, Brass	16.0 (262.1 cm <sup>3</sup> )	10	

CAT. #	DESCRIPTION	STD. PKG.	BAR CODE
<b>Replacement Plug for Floor Box Assemblies</b>			
RP6239BP	Replacement Plug for 5236/6236	50	
RP6500BR	Replacement Plug for 6500BR-5	50	
RP6500NI	Replacement Plug for 6500NI-5	50	

ROUND FLOOR BOXES



6255, 6257



6261, 6263

CAT. #	KNOCKOUTS / HUBS		MIN. DEPTH OF POUR	BEFORE POUR EXT. HT. ADJUST.	AFTER POUR INT. FINAL ADJUST.	CUBIC INCHES	STD. PKG.	BAR CODE
	SIDE	BOTTOM						
<b>Fully Adjustable Floor Box – Stamped Steel</b>								
6255	2 - 1/2", 2-3/4" 2 - 1", 2 - 1-1/4"	3 - 1/2" 2 - 3/4"	4"	1-1/4"	3/8"	54.0 (884.8 cm <sup>3</sup> )	4	
6257	6 - 1/2", 4 - 3/4"	3 - 1/2"	3"	1-1/4"	3/8"	37.3 (611.2 cm <sup>3</sup> )	4	
<b>Fully Adjustable Floor Box – Cast Iron</b>								
6261	4 - 3/4"	—	3-3/4"	1-1/4"	3/8"	33.0 (540.7 cm <sup>3</sup> )	4	
6263	4 - 3/4"	—	3"	1-1/4"	3/8"	30.0 (491.5 cm <sup>3</sup> )	4	

**APPLICATIONS**

- Round floor boxes provide flush service for power or voice/data
- Floor boxes may be used for carpet or tile floor applications

**CAST IRON FLOOR BOX PRODUCT FEATURES**

- Cast iron, water-tight body, fully adjustable
- Gray powder coat paint inside and out for additional corrosion resistance
- 3/4" threaded conduit openings are standard

**STAMPED STEEL FLOOR BOXES PRODUCT FEATURES**

- Stamped steel, concrete-tight, fully adjustable
- Zinc coated finish
- 1/2", 3/4", 1" and 1-1/4" knockouts; all bottom knockouts are accessible

**GENERAL PRODUCT FEATURES**

- Brass tile flange provided with box
- RACO® 6236 or 6235 carpet flange must be ordered separately (included brass tile ring must be discarded before installing carpet flange)
- RACO® 6249, 6284, 6285, 6287 brass cover must be ordered separately
- Interior and exterior leveling screws permit adjustment to meet finished floor
- Disposable concrete cap to prevent the entry of concrete during pour included

**COMPLIANCE**

-  LISTED

RECTANGULAR FLOOR BOXES



6256



6262

**APPLICATIONS**

- RACO® rectangular series floor boxes are ideally suited for heavy floor traffic applications, such as malls, department stores, banks and schools
- Floor boxes are installed in poured concrete floors and are fed with conduit
- RACO® floor boxes are used in branch circuit wiring

**CAST IRON FLOOR BOX  
PRODUCT FEATURES**

- Cast iron, water-tight body, fully adjustable
- Gray powder coat paint inside and out for additional corrosion resistance
- 3/4" threaded conduit openings are standard

**STAMPED STEEL FLOOR BOXES  
PRODUCT FEATURES**

- Stamped steel, concrete-tight, fully adjustable
- Zinc coated finish

**GENERAL PRODUCT FEATURES**

- Brass tile flange provided with box
- RACO® 6292 or 6295 carpet flange must be ordered separately
- RACO® 6250, 6288, 6289 or 6291 brass cover must be ordered separately
- Interior and exterior leveling screws permit adjustment to meet finished floor
- Disposable concrete cap to prevent the entry of concrete during pour included

**COMPLIANCE**

- LISTED

CAT. #	KNOCKOUTS		MIN. DEPTH OF POUR	BEFORE POUR EXT. HT. ADJUST.	AFTER POUR INT. FINAL ADJUST.	CUBIC INCHES	STD. PKG.	BAR CODE
	SIDE	BOTTOM						
<b>1-Gang Fully Adjustable Floor Box – Stamped Steel</b>								
6256	2 - 1/2", 2-3/4"	3 - 1/2"	4"	1-1/4"	3/8"	54.0 (884.8 cm <sup>3</sup> )	4	
	2 - 1", 2 - 1-1/4"	2 - 3/4"						
<b>1-Gang Fully Adjustable Floor Box – Cast Iron</b>								
6262	4 - 3/4"	—	3-3/4"	1-1/4"	3/8"	33.0 (540.7 cm <sup>3</sup> )	4	



RECTANGULAR FLOOR BOXES



6269

CAT. #	THREADED / HUBS		MIN. DEPTH OF POUR	BEFORE POUR EXT. HT. ADJUST.	AFTER POUR INT. FINAL ADJUST.	CUBIC INCHES	STD. PKG.	BAR CODE
	SIDE	BOTTOM						
<b>2-Gang Fully Adjustable Floor Box – Cast Iron</b>								
6269	6-3/4"	—	3-3/4"	1-1/4"	5/8"	36.5 ea. Gang (598.0 cm <sup>3</sup> )	1	—

**APPLICATIONS**

- RACO® rectangular series floor boxes are ideally suited for heavy floor traffic applications, such as malls, department stores, banks and schools
- Floor boxes are installed in poured concrete floors and are fed with conduit
- RACO® multiple-gang rectangular floor box series may be used for both single-service and three-service (power and voice/data) applications
- RACO® floor boxes are used in branch circuit wiring

**CAST IRON FLOOR BOX PRODUCT FEATURES**

- Cast iron, water-tight body, fully adjustable
- Gray powder coat paint inside and out for additional corrosion resistance
- Interior and exterior leveling screws permit adjustment to meet finished floor
- Removable partitions included to meet larger capacity requirements on two and three gang boxes
- Disposable concrete cap to prevent the entry of concrete during the pour included
- 3/4" threaded conduit openings are standard
- RACO® 6250, 6288, 6289 or 6291 brass cover must be ordered separately

**COMPLIANCE**

-  US LISTED

**BRASS/RECTANGULAR**

FLOOR BOX COVERS AND FLANGES



6250



6288



6289, 6291



6292, 6295



6293, 6296



6294, 6297

**APPLICATIONS**

- RACO® rectangular floor box brass covers and flanges are used to complete floor box installations

**PRODUCT FEATURES**

- Rectangular brass covers are used with RACO single-gang, two-gang, and three-gang rectangular floor boxes
- Covers are 3" wide x 4-5/32" long
- Cover screw centers are 3-5/32" x 2-1/8"
- Rectangular carpet flanges are available in brass or clear polycarbonate

**COMPLIANCE**

- LISTED

CAT. #	DESCRIPTION	STD. PKG.	BAR CODE
<b>Rectangular Floor Box Covers – Brass</b>			
6250	Brass Duplex Cover with Lift Lids	40	
6288	Brass Duplex Cover with 2, 1-1/2" Threaded Plugs	40	
6289	Brass Cover with 2-1/8" x 1" Combination Plugs	40	
6291	Brass Cover with 2-1/8" x 3/4" Combination Plugs	40	
<b>Rectangular Carpet Flanges – Polycarbonate and Brass</b>			
6292	1-Gang, Brass	20	
6295	1-Gang, Clear Polycarbonate	10	
6293	2-Gang, Brass	10	—
6296	2-Gang, Clear Polycarbonate	10	—
6294	3-Gang, Brass	10	
6297	3-Gang, Clear Polycarbonate	15	—

ACCESSORIES AND REPLACEMENT COVERS



6209, 6225



6208, 6226



RP6236BP



RP6500BR



RP6500NI



6228



6237

CAT. #	DESCRIPTION	THREAD TYPE	FITS RACO BRASS COVER	STD. PKG.	BAR CODE
<b>Fully Adjustable Floor Box – Stamped Steel</b>					
6209	3/4" Crowned, Slotted Plug	—	6287, 6291	30	
6225	1" Crowned, Slotted Plug	—	6285, 6289	20	
6226	1-1/2" Flush Slotted Plug	Fine	6284, 6288	25	
6208	2-1/8" Flush, Slotted Plug	Fine	6284, 6288	30	

**APPLICATIONS**

- Brass abandon plugs are sold separately for replacement in brass covers
- Split nozzle for 2-1/8" threaded cover consists of interlocking halves that provide a protective housing when assembled. The nozzle may be easily installed without removing an electrical plug from cord. Nozzle is brass colored plastic

CAT. #	DESCRIPTION	STD. PKG.	BAR CODE
<b>Replacement Plugs</b>			
RP6236BP	Replacement Plug for 5236/6236	50	—
RP6500BR	Replacement Plug for 6500BR-5	50	—
RP6500NI	Replacement Plug for 6500NI-5	50	—

CAT. #	DESCRIPTION	STD. PKG.	BAR CODE
<b>Replacement Cover Flange and Adjustable Collars</b>			
6228	Rectangular Cover Flange	15	—
6237	Rectangular 1-Gang Replacement Adjustable Collar	10	—

### SERVICE PEDESTALS AND ACCESSORIES



#### SERVICE PEDESTALS APPLICATIONS

- RACO® above-the-floor pedestals satisfy most service requirements
- These are the traditional metallic pedestals, offered as component parts to satisfy any combination of power or voice/data requirements

#### PRODUCT FEATURES

- Service pedestal housing die cast aluminum frame, aluminum housing
- Stainless steel face plates

#### PEDESTAL CAPACITY CHART

- (Power or voice/data devices) In certain cases, the pedestal will accommodate two receptacles. In other cases, a device may be too deep, and the maximum capacity is one receptacle

CAT. #	DESCRIPTION	STD. PKG.	BAR CODE
<b>Low-profile Service Pedestal Housing – Single Service for Power or Voice/Data</b>			
6300	Frame Housing, 3/4" Chase Nipple, w/o Plates	4	IIIIIIII
6301	Frame Housing, 1" Chase Nipple, w/o Plates	4	IIIIIIII

CAT. #	DESCRIPTION	STD. PKG.	BAR CODE
<b>Face Plates</b>			
6310	Rectangular Cover Flange	25	IIIIIIII
6311	Telephone Bushing with 1.00" ID and (2) 3/8" KO for Coaxial	25	IIIIIIII
6312	Single Receptacle Plate with 1.39" Opening	25	IIIIIIII
6313	Duplex Receptacle Plate	25	IIIIIIII
6314	Decorator Style Receptacle Plate	25	IIIIIIII
6315	Aluminum Plate with 1.11" KO	25	IIIIIIII

MAX. # OF RECEPTACLES	DESCRIPTION	PLATE(S) QTY.	REQUIRED RACO CAT.#
<b>Voice/Data Combinations</b>			
1	Duplex Jack Outlet	1	6313, 6310
1	Decorator Style of Telephone Outlet	1	6314, 6310
2	Decorator Style of Telephone Outlet	2	6314
0	Bushed Opening	1	6311, 6310
<b>Power Combinations</b>			
2	Duplex Receptacles	2	6313
1	GFCI Receptacles	1	6314, 6310
1	Surge Duplex Receptacles	1	6314, 6310
2	Decorator Receptacles	2	6314
2	Single Receptacles	2	6312

FLOOR BOXES

Cast Iron Floor Boxes - Non Adjustable

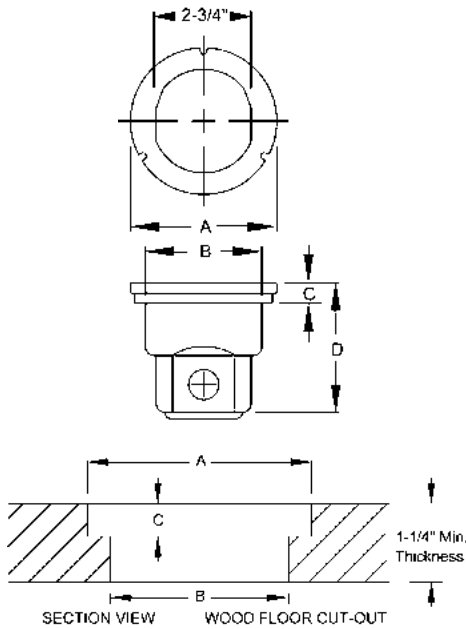
CATALOG NUMBER	A	B	C	D
6223	4.19"	3.39"	0.59"	3.75"
6224	4.19"	3.39"	0.59"	3.75"

Cast Iron Floor Boxes - Non Adjustable- Floor Cut-out Dimensions

Catalog Number	A	B	C
6224	4.1875"	3.4375"	0.625"

\* If floor covering is used, vary counter bore depth accordingly.

NOTE: Minimum floor thickness is 1-1/4". You may need to add support under the floor around the floor box opening.

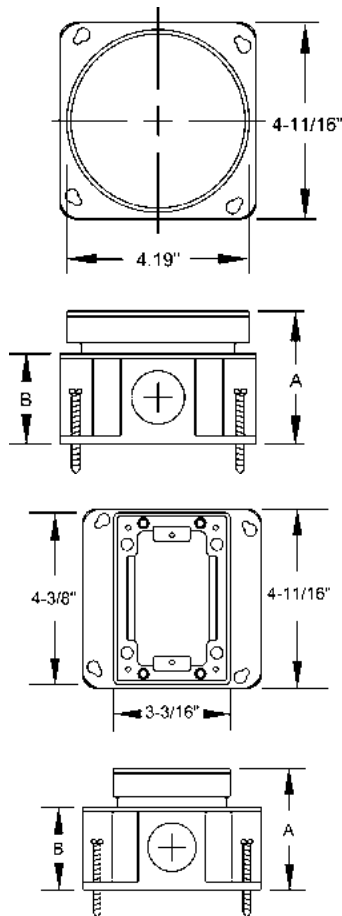


Round Floor Boxes - Adjustable

CATALOG NUMBER	A (MIN.)	A (MAX.)	B
6263	2.86"	3.19"	1.69"
6257	2.91"	3.29"	1.69"
6255	3.88"	4.26"	2.71"

1-Gang Floor Boxes - Adjustable

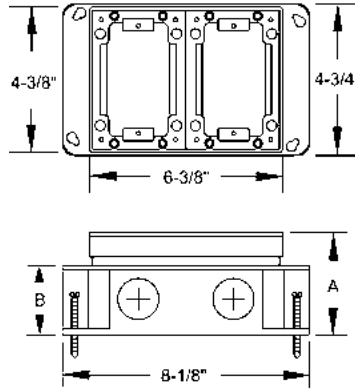
CATALOG NUMBER	A (MIN.)	A (MAX.)	B
6262	3.19"	3.57"	2.06"
6256	3.90"	4.28"	2.83"



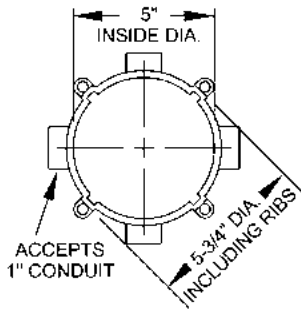


### FLOOR BOXES

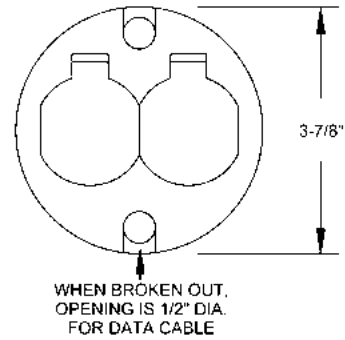
Multigang Floor Boxes - Adjustable			
CATALOG NUMBER	A (MIN.)	A (MAX.)	B
6269	3.44"	4.07"	2.10"



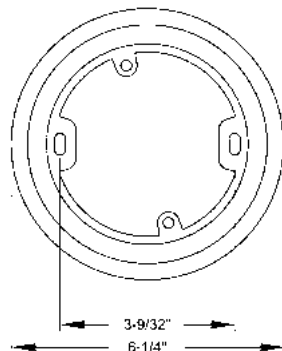
**NONMETALLIC FLOOR BOX**



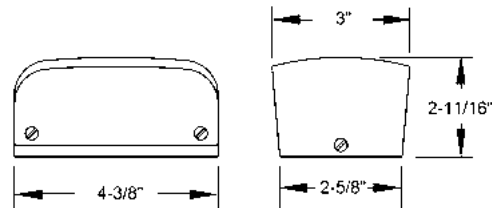
**REPLACEMENT COVERS**



**REPLACEMENT CARPET FLANGES**



**SERVICE PEDESTAL**









*Commercial Fittings*



## STANDARDS, 2020 NATIONAL ELECTRICAL CODE®

### GENERAL INFORMATION

When you need to couple, connect, fasten, or ground conduit or cables, RACO® fittings are your best answer.

Choose from specification grade malleable iron, steel, lightweight aluminum, or die-cast zinc materials. Many are UL Listed as raintight, concrete-tight, or liquidtight.

### PRODUCT FEATURES: RACO® FITTINGS

- Designed to save time on the job
- Locknuts won't slip or spin
- Premium set screws provide reliable continuity of ground
- Insulated throats protect conductor insulation during wire pulling

Fittings should be installed by licensed electricians in compliance with national and local electrical codes.

### STANDARDS

Where applicable, RACO® products are engineered in accordance with the standards established by Underwriters' Laboratories (UL).

Most products are UL Listed and also Canadian Standards Association (CSA) certified. Dimensional data listed in this catalog is intended for general reference with broad tolerance limits.

RACO® fittings generally conform to Federal Specifications and Standards A-A-50552, A-A-50553A, A-A-50563A, NEMA FB1, U.L. 467, U.L. 514B, and CSA Standard C22.2 no.18.3. Note: ANSI Standard C80-4 has been cancelled and replaced by NEMA FB1.

Underwriters' Laboratories, Inc. file numbers: E195969 rigid, IMC and liquidtight fittings; E195970 EMT fittings; E195971 non-metallic sheathed cable fittings; E195972 service entrance cable fittings; E195966 armored and flexible metal cable fittings; E195973 outlet bushings and fittings; E195975 grounding and bonding equipment.

For Underwriters' Laboratories, Inc. and Canadian Standards Association listing marks, see RACO® product and carton labels.



For installation guidelines and to learn more about RACO products, visit the NEMA website at <http://www.nema.org>.

The National Electrical Manufacturers Association (NEMA) website is a valuable electrical resource providing the information you need - quickly. Standards and technical information, installation guides, industry news and economic trends, events/meetings, the latest electroindustry, and legislative and regulatory information for more than fifty-one product areas ranging from arc welding to x-ray machines can be found with just a few clicks of your mouse.



**SET SCREW CONNECTORS - STEEL**

**Insulated Connectors**

**Uninsulated Connectors**

INSULATED CATALOG #	UNINSULATED CATALOG #	TRADE SIZE	UNIT CARTON QTY.	SHIP CARTON QTY.	BAR CODE
<b>Compression Connectors – Steel</b>					
2122	2002	1/2"	50	500	—
2122-8	2002-8	1/2"	1	25	
2123	2003	3/4"	25	250	—
2123-8	2003-8	3/4"	1	20	
2124	2004	1"	25	100	—
2124-8	2004-8	1"	1	10	
2125	2005	1-1/4"	—	20	—
2126	2006	1-1/2"	—	20	—
2128	2008	2"	—	20	—
2160	2140	2-1/2"	—	5	—
2162RAC	2142	3"	—	1	—
2164	2144	3-1/2"	—	1	—
2166	2146	4"	—	1	—

**APPLICATIONS**

- For use in dry locations to bond EMT conduit to a box or enclosure
- RACO® steel set-screw connectors provide concrete-tight connections when taped
- RACO® set-screw connectors are suitable for applications above 600V

**PRODUCT FEATURES**

- All steel construction ensures mechanical protection for the raceway
- Tri-head screws (1/2" to 2" trade sizes) may be installed using a slotted, Phillips, or Robertson head screwdriver
- 2-1/2" to 4" trade sizes are also UL Listed for use on Rigid/IMC conduit, allowing for design and installation flexibility
- All components are zinc-electroplated for corrosion protection
- 1/2" to 1" trade sizes have one set-screw, 1-1/4" to 4" trade sizes have two set-screws
- UPC bar coded fittings are individually polybagged with a preprinted UPC-A bar code and packaged in pre-scored tear top cartons for attractive presentation

**COMPLIANCES**
**1/2" - 2"**

- - Standard 514B  
C22.2 # 18

**2-1/2" - 4"**

- - Standard 514B  
UL Listed E195969, E195970



## SET SCREW COUPLINGS - STEEL



**Couplings**

### APPLICATIONS

- For use in dry locations to couple two ends of EMT conduit
- RACO® steel set-screw couplings provide concrete-tight connections when taped
- RACO® set-screw couplings are suitable for applications above 600V

### PRODUCT FEATURES

- All steel construction ensures mechanical protection for the raceway
- Tri-head screws (1/2" to 2" trade sizes) may be installed using a slotted, Phillips, or Robertson head screwdriver
- 2-1/2" to 4" trade sizes are also UL Listed for use on Rigid/IMC conduit, allowing for design and installation flexibility
- All components are zinc-electroplated for corrosion protection
- UPC bar coded fittings are individually polybagged with a preprinted UPC-A bar code and packaged in pre-scored tear top cartons for attractive presentation

### COMPLIANCES

#### 1/2" - 2"

- - Standard 514B  
C22.2 # 18

#### 2-1/2" - 4"

- - Standard 514B  
UL Listed E195969, E195970

CATALOG #	TRADE SIZE	UNIT CARTON QTY.	SHIP CARTON QTY.	BAR CODE
<b>Set Screw Couplings – Steel</b>				
2022	1/2"	50	500	—
2022-8	1/2"	1	25	
2023	3/4"	25	250	—
2023-8	3/4"	1	20	
2024	1"	25	100	—
2024-8	1"	1	10	
2025	1-1/4"	5	25	—
2026	1-1/2"	—	20	—
2028	2"	—	20	—
2150	2-1/2"	—	5	—
2152	3"	—	1	—
2154	3-1/2"	—	1	—
2156	4"	—	1	—


**COMPRESSION CONNECTORS - STEEL**

**Insulated Throat  
Connectors**

**Uninsulated Throat  
Connectors**

INSULATED CATALOG #	UNINSULATED CATALOG #	TRADE SIZE	UNIT CARTON QTY.	SHIP CARTON QTY.	BAR CODE
<b>Compression Connectors – Steel</b>					
2912	2902	1/2"	50	500	—
2912-8	2902-8	1/2"	1	25	
2913	2903	3/4"	25	250	—
2913-8	2903-8	3/4"	1	20	
2914	2904	1"	25	100	—
2914-8	2904-8	1"	1	10	
2915	2905	1-1/4"	5	25	—
2916	2906	1-1/2"	—	20	—
2918	2908	2"	—	20	—
2960	2940	2-1/2"	—	5	—
2962	2942	3"	—	1	—
2964	2944	3-1/2"	—	1	—
2966	2946	4"	—	1	—

**APPLICATIONS**

- For use when bonding EMT conduit to a box or enclosure
- RACO® 1/2" to 4" connectors provide concrete-tight connections
- RACO® compression connectors are suitable for applications above 600V

**PRODUCT FEATURES**

- All steel construction ensures mechanical protection for the raceway
- All components are zinc-electroplated for corrosion protection
- UPC bar coded fittings are individually polybagged with a preprinted UPC-A bar code and packaged in pre-scored tear top cartons for attractive presentation

**COMPLIANCE**

- cUL<sub>us</sub> - Standard 514B  
C22.2 # 1  
UL Listed E195970


**COMPRESSION COUPLINGS - STEEL**

**Couplings**
**APPLICATIONS**

- For use in dry locations to couple two ends of EMT conduit
- RACO® steel compression couplings provide concrete-tight connections
- RACO® compression couplings are suitable for applications above 600V

**PRODUCT FEATURES**

- All steel construction ensures mechanical protection for the raceway
- All components are zinc-electroplated for corrosion protection
- UPC bar coded fittings are individually polybagged with a preprinted UPC-A bar code and packaged in pre-scored tear top cartons for attractive presentation

**COMPLIANCE**

- cUL<sub>us</sub> - Standard 514B  
C22.2 # 18  
UL Listed E195970

CATALOG #	TRADE SIZE	UNIT CARTON QTY.	SHIP CARTON QTY.	BAR CODE
<b>Compression Couplings – Steel</b>				
2922	1/2"	50	500	—
2922-8	1/2"	1	25	
2923	3/4"	25	250	—
2923-8	3/4"	1	15	
2924	1"	25	100	—
2924-8	1"	1	10	
2925	1-1/4"	5	25	—
2926	1-1/2"	—	20	—
2928	2"	—	20	—
2950	2-1/2"	—	5	—
2952	3"	—	1	—
2954	3-1/2"	—	1	—
2956	4"	—	1	—



### RAINTIGHT COMPRESSION CONNECTORS - STEEL



**Insulated Connectors**



**Uninsulated Connectors**

INSULATED CATALOG #	UNINSULATED CATALOG #	TRADE SIZE	UNIT CARTON QTY.	SHIP CARTON QTY.	BAR CODE
<b>Compression Connectors, Raintight – Steel</b>					
2912RT	2902RT	1/2"	50	250	—
2913RT	2903RT	3/4"	25	125	—
2914RT	2904RT	1"	15	75	—
2915RT	2905RT	1-1/4"	—	20	—
2916RT	2906RT	1-1/2"	—	10	—
2918RT	2908RT	2"	—	10	—
2960RT	2940RT	2-1/2"	—	1	—
2962RT	2942RT	3"	—	1	—
2964RT	2944RT	3-1/2"	—	1	—
2966RT	2946RT	4"	—	1	—

#### APPLICATIONS

- For use in wet locations to bond and secure EMT conduit to a box or enclosure
- RACO® Raintight Steel EMT compression fittings are designed to comply with new UL raintight test requirements and to comply with the requirements of the 2014 NEC 358.42 and 314.15

#### PRODUCT FEATURES

- All steel construction ensures mechanical protection for the raceway
- Available in 1/2" to 4" trade sizes
- Zinc-electroplate finish
- All fittings are marked "Wet Locations" to allow inspecting authorities to immediately determine that the installation is up to code
- All connectors are supplied with a factory installed knockout seal. No need for the expense of buying a separate gasket
- No need to disassemble the fitting prior to installation. RACO Raintight Steel EMT compression fittings are designed to come out of the carton ready to install directly on the conduit. No need to waste time loosening compression nuts
- No special tools required. Install these fittings like any other Steel EMT compression fitting. No need for a torque wrench to insure proper installation

#### COMPLIANCE

- - Standard 514B  
C22.2 # 18  
UL Listed E195970




**RAINTIGHT COMPRESSION COUPLINGS - STEEL**

**Couplings**
**APPLICATIONS**

- For use in wet locations to couple two ends of EMT conduit
- RACO® Raintight Steel EMT compression fittings are designed to comply with new UL Raintight test requirements and to comply with the requirements of the 2014 NEC 358.42 and 314.15

**PRODUCT FEATURES**

- All steel construction ensures mechanical protection for the raceway
- Available in 1/2" to 4" trade sizes
- Zinc-electroplate finish
- All fittings are marked "Wet Locations" to allow inspecting authorities to immediately determine that the installation is up to code
- No need to disassemble the fitting prior to installation. RACO Raintight Steel EMT compression fittings are designed to come out of the carton ready to install directly on the conduit. No time wasted loosening compression nuts
- No special tools required. Install these fittings like any other Steel EMT compression fitting. No need for a torque wrench to insure proper installation

**COMPLIANCE**

- cUL<sub>us</sub> - Standard 514B  
C22.2 # 18  
UL Listed E195970

CATALOG #	TRADE SIZE	UNIT CARTON QTY.	SHIP CARTON QTY.	BAR CODE
<b>Compression Couplings – Steel</b>				
2922RT	1/2"	50	250	—
2923RT	3/4"	25	125	—
2924RT	1"	15	75	—
2925RT	1-1/4"	—	20	—
2926RT	1-1/2"	—	10	—
2928RT	2"	—	10	—
2950RT	2-1/2"	—	1	—
2952RT	3"	—	1	—
2954RT	3-1/2"	—	1	—
2956RT	4"	—	1	—



### INDENTER CONNECTORS - STEEL



**Insulated Connectors**



**Uninsulated Connectors**

INSULATED CATALOG #	UNINSULATED CATALOG #	TRADE SIZE	UNIT CARTON QTY.	SHIP CARTON QTY.	BAR CODE
<b>Connectors – Steel</b>					
1992	1972	1/2"	50	500	—
1993	—	3/4"	25	250	—

#### APPLICATIONS

- For use in dry locations to bond EMT conduit to a box or enclosure
- RACO® Indenter connectors provide concrete-tight connections when taped

#### PRODUCT FEATURES

- All steel construction ensures mechanical protection for the raceway
- All components are zinc-electroplated for corrosion protection



## EMT CONNECTORS

### SET SCREW CONNECTORS - DIE-CAST



**Insulated Connectors**



**Uninsulated Connectors**

#### APPLICATIONS

- For use in dry locations to bond EMT conduit to a box or enclosure
- RACO® die-cast set-screw connectors provide concrete-tight connections when taped
- RACO® set-screw connectors are suitable for applications above 600V

#### PRODUCT FEATURES

- Rugged metallic construction ensures mechanical protection for the raceway
- 2-1/2" to 4" trade sizes are UL Listed for use on Rigid/IMC conduit, allowing for installation flexibility

#### COMPLIANCE

- FILE E195970

INSULATED CATALOG #	UNINSULATED CATALOG #	TRADE SIZE	UNIT CARTON QTY.	SHIP CARTON QTY.	BAR CODE
<b>Set Screw Connectors – Die-Cast Zinc</b>					
2634	2602	1/2"	50	500	—
2635	2603	3/4"	25	250	—
2636	2604	1"	50	200	—
2637	2605	1-1/4"	25	100	—
2638	2606	1-1/2"	10	40	—
2639	2608	2"	5	20	—
2648	2640	2-1/2"	—	12	—
2649	2642	3"	—	12	—
2650	—	3-1/2"	—	10	—
—	2644	3-1/2"	—	6	—
2651	2646	4"	—	6	—

SEE END OF SECTION (PG B92) FOR DETAILED DRAWINGS >>




**SET SCREW COUPLINGS AND OFFSETS - DIE-CAST**

**Couplings**

**Offset Connectors**

CATALOG #	TRADE SIZE	UNIT CARTON QTY.	SHIP CARTON QTY.	BAR CODE
<b>Couplings – Die-Cast Zinc</b>				
2622	1/2"	50	500	—
2623	3/4"	25	250	—
2624	1"	50	200	—
2625	1-1/4"	25	100	—
2626	1-1/2"	10	40	—
2628	2"	5	20	—
2670	2-1/2"	—	12	—
2672	3"	—	12	—
2674	3-1/2"	—	6	—
2676	4"	—	6	—
<b>3/8" Offset Connectors – Die-Cast Zinc</b>				
1762	1/2"	—	50	—
1763	3/4"	—	25	—

**COUPLINGS AND OFFSET CONNECTORS APPLICATIONS**

- RACO® die-cast set-screw couplings provide concrete-tight connections when taped
- RACO® set-screw couplings are suitable for applications above 600V

**COUPLINGS APPLICATION**

- For use in dry locations to couple two ends of EMT conduit

**OFFSETS CONNECTORS APPLICATION**

- For use in dry locations to bond EMT conduit to a box or enclosure

**COUPLINGS AND OFFSET CONNECTORS PRODUCT FEATURE**

- Rugged metallic construction provides mechanical protection for the raceway

**COUPLINGS PRODUCT FEATURE**

- 2-1/2" to 4" trade sizes are UL Listed for use on Rigid/IMC conduit, allowing for installation flexibility

**COMPLIANCES**

- FILE E195969
- - C22.2 # 18


**EMT HANDY ELLS**
**HANDY ELLS - DIE-CAST**

**90° Handy Ells  
Couplings**

**90° Handy Ells  
Connectors**
**APPLICATIONS**

- For use in dry locations to bond EMT conduit to a box or enclosure, or to couple two ends of EMT conduit
- Use handy ells when bending conduit is not practical

**PRODUCT FEATURE**

- Cover included

**COMPLIANCE**

- FILE E195969
- - C22.2 # 18

CATALOG #	TRADE SIZE	UNIT CARTON QTY.	SHIP CARTON QTY.	BAR CODE
<b>90° Handy Ells – Die-Cast Zinc Couplings</b>				
2752	1/2"	10	100	—
2753	3/4"	5	50	—
2754	1"	—	25	—
<b>90° Handy Ells – Die-Cast Zinc Connectors</b>				
2762	1/2"	10	100	—
2763	3/4"	5	50	—

SEE END OF SECTION (PG B93) FOR DETAILED DRAWINGS &gt;&gt;




**COMPRESSION COUPLINGS - DIE-CAST**

**Couplings**

CATALOG #	TRADE SIZE	UNIT CARTON QTY.	SHIP CARTON QTY.	BAR CODE
<b>Offset Connectors – Die-Cast Zinc</b>				
2822	1/2"	50	500	—
2823	3/4"	25	250	—
2824	1"	50	200	—
2825	1-1/4"	25	100	—
2826	1-1/2"	10	40	—
2828	2"	5	20	—
2870	2-1/2"	—	12	—
2872	3"	—	12	—
2874	3-1/2"	—	10	—
2876	4"	—	6	—

**APPLICATIONS**

- Use to couple two ends of EMT conduit
- RACO® compression couplings are suitable for applications above 600V
- RACO® 1/2" to 4" couplings provide concrete-tight connections

**PRODUCT FEATURES**

- Rugged metallic construction provides mechanical protection for the raceway
- Hex compression nuts assure easy wrench installation

**COMPLIANCES**

- FILE E195970
- - C22.2 # 18



COMPRESSION CONNECTORS - DIE-CAST



**Insulated Throat Connectors**



**Uninsulated Connectors**

**APPLICATIONS**

- Use to bond EMT conduit to a box
- RACO® 1/2" to 4" connectors provide concrete-tight connections
- RACO® compression connectors are suitable for applications above 600V

**PRODUCT FEATURES**

- Rugged metallic construction provides mechanical protection for the raceway
- Oversized hex compression nuts assure easy wrench installation

**COMPLIANCES**

- FILE E195970
- - C22.2 # 18

INSULATED CATALOG #	UNINSULATED CATALOG #	TRADE SIZE	UNIT CARTON QTY.	SHIP CARTON QTY.	BAR CODE
<b>Compression Connectors – Die-Cast Zinc</b>					
2832	2802	1/2"	50	500	—
2833	2803	3/4"	25	250	—
2834	2804	1"	50	200	—
2835	2805	1-1/4"	25	100	—
2836	2806	1-1/2"	10	40	—
2838	2808	2"	5	20	—
2890	2840	2-1/2"	—	12	—
2892	2842	3"	—	12	—
2894	2844	3-1/2"	—	10	—
2896	2846	4"	—	6	—

SEE END OF SECTION (PG B94) FOR DETAILED DRAWINGS >>




**COMPRESSION OFFSET CONNECTORS - DIE-CAST**

**Offset Connectors**

CATALOG #	TRADE SIZE	UNIT CARTON QTY.	SHIP CARTON QTY.	BAR CODE
<b>Offset Connectors – Die-Cast Zinc</b>				
1952	1/2"	—	50	—
1953	3/4"	—	25	—

**PRODUCT APPLICATIONS**

- Use to bond EMT conduit to a box
- RACO® compression offset connectors are suitable for applications above 600V

**PRODUCT FEATURES**

- Rugged metallic construction provides mechanical protection for the raceway
- Hex compression nuts assure easy wrench installation

**COMPLIANCES**

- FILE E195970
- - C22.2 # 18


**90° SHORT ANGLE CONNECTORS - MALLEABLE IRON**

**90° Short Angle Connectors**
**APPLICATIONS**

- To bond EMT conduit to a box or enclosure
- Use 90 degree short angle connectors when bending conduit is not practical

**PRODUCT FEATURES**

- Malleable construction ensures mechanical protection for the raceway
- Hex compression nuts assure easy wrench installation
- All components are zinc-electroplated for corrosion protection

**COMPLIANCES**

- - Standard 514B

CATALOG #	TRADE SIZE	UNIT CARTON QTY.	SHIP CARTON QTY.	BAR CODE
<b>90° Short Angle Connectors – Malleable Iron</b>				
2072	1/2"	25	100	—
2073	3/4"	—	25	—

## EMT TWO-PIECE CONNECTORS AND COUPLINGS

### TWO-PIECE CONNECTORS AND COMBINATION COUPLINGS - DIE-CAST/STEEL



**Two-Piece Connectors**



**EMT to Rigid Couplings  
Threaded/Compression**

CATALOG #	TRADE SIZE	UNIT CARTON QTY.	SHIP CARTON QTY.	BAR CODE
<b>Two-Piece Connectors – Die-Cast Zinc</b>				
2702	1/2"	—	100	—
2703	3/4"	—	50	—
<b>EMT - Rigid Couplings Threaded/Compression – Steel</b>				
1352	1/2"	—	25	—
1353	3/4"	—	25	—
1354	1"	—	25	—

#### DIE-CAST TWO-PIECE CONNECTORS APPLICATIONS

- For use in dry locations to bond EMT conduit to a box or enclosure
- RACO® 1/2" and 3/4" two-piece connectors provide concrete-tight connections

#### DIE-CAST TWO-PIECE CONNECTORS PRODUCT FEATURE

- Rugged metallic construction provides mechanical protection for the raceway

#### COMPLIANCE

- - Standard 514B

#### STEEL COMBINATION COUPLINGS APPLICATION

- Use RACO Cat. Nos. 1352 - 1354 when coupling threaded Rigid/IMC conduit to EMT

#### STEEL COMBINATION COUPLINGS PRODUCT FEATURES

- Rugged metallic construction provides mechanical protection for the raceway
- All steel components are zinc-electroplated for corrosion protection

#### COMPLIANCE

- - Standard 514B




**COMBINATION COUPLINGS - STEEL**

**EMT to Rigid Couplings Set Screw**
**APPLICATIONS**

- Use RACO® Catalog numbers 1432 - 1434 when coupling unthreaded Rigid/IMC to EMT conduit

**PRODUCT FEATURES**

- Rugged metallic construction provides mechanical protection
- All components are zinc-electroplated for corrosion protection
- UPC bar coded fittings are individually polybagged with a preprinted UPC-A bar code and packaged in pre-scored tear top cartons for attractive presentation

CATALOG #	TRADE SIZE	UNIT CARTON QTY.	SHIP CARTON QTY.	BAR CODE
<b>Insulating Bushings – Polyethylene</b>				
1432	1/2"	—	25	—
1433	3/4"	—	25	—
1434	1"	—	25	—

**COMBINATION COUPLINGS - MALLEABLE IRON/DIE-CAST**

**EMT - Flex Couplings Squeeze/Compression**

**EMT - Flex Couplings Screw-in/Compression**

**EMT - Flex Couplings Squeeze/Set Screw**
**APPLICATION**

- For use in dry locations to couple EMT conduit to flexible metal conduit.

**PRODUCT FEATURES**

- Rugged metallic construction ensures mechanical protection
- All steel/malleable components are zinc-electroplated for corrosion protection
- UPC bar coded fittings are individually polybagged with a preprinted UPC-A bar code and packaged in pre-scored tear top cartons for attractive presentation

**COMPLIANCE**

- FILE E195969
- LISTED (1852 & 1853)

CATALOG #	FLEX SIZE	EMT SIZE	UNIT CARTON QTY.	SHIP CARTON QTY.	BAR CODE
<b>EMT - Flex Couplings Squeeze/Compression – Malleable Iron</b>					
1941*	3/8"	1/2"	—	25	—
1942	1/2"	1/2"	—	25	—
1942-8	1/2"	1/2"	1	25	
1943	3/4"	3/4"	—	25	—
1943-8	3/4"	3/4"	1	25	
<b>EMT - Flex Couplings Screw-in/Compression – Die-Cast Zinc</b>					
1482	1/2"	1/2"	50	500	—
1483	3/4"	3/4"	25	250	—
1484	1"	1"	25	250	—
<b>EMT - Flex Couplings Squeeze/Set Screw – Die-Cast Zinc</b>					
1852	1/2"	1/2"	25	250	—
1853	3/4"	3/4"	25	250	—

SEE END OF SECTION (PG B95, B121 AND B122) FOR DETAILED DRAWINGS &gt;&gt;

**INSULATING BUSHINGS – POLYETHYLENE**

**2175RAC**

CATALOG #	TRADE SIZE	UNIT CARTON QTY.	SHIP CARTON QTY.	BAR CODE
<b>Insulating Bushings – Polyethylene</b>				
2172RAC	1/2"	100	1000	—
2173RAC	3/4"	100	1000	—
2174RAC	1"	—	100	—
2175RAC	1-1/4"	—	100	—
2176RAC	1-1/2"	—	100	—
2178RAC	2"	—	50	—
2180RAC*	2-1/2"	—	25	—
2182RAC*	3"	—	25	—
2184RAC*	3-1/2"	—	25	—
2186RAC*	4"	—	25	—

\*Can be used on Rigid/IMC Conduit

**APPLICATIONS**

- RACO® EMT insulating bushings provide a smooth surface for cable installation. Insulation prevents costly damage by protecting cable jacketing from sharp conduit edges during pulling.
- Common applications include telephone, data, alarm/security, and other low voltage cable installations.

**PRODUCT FEATURES**

- High-density Polyethylene construction
- Temperature rated at 90° C
- Easy push-on design
- White color

**COMPLIANCE**

- NEC Article 300.15c


**STRAPS - STEEL**

**One Hole Push-on Straps**

**Two Hole Straps**
**APPLICATION**

- For use in mounting EMT conduit

**PRODUCT FEATURES**

- All stamped steel construction ensures mechanical protection
- RACO® steel one hole straps snap on to the conduit, allowing the installer to easily position the strap before mounting
- Oversized bolt holes make alignment of the fastener quick and easy
- All straps are zinc-electroplated for corrosion protection

**COMPLIANCE**

- - Listed  
E195968 (2082 - 2088)

CATALOG #	TRADE SIZE	UNIT CARTON QTY.	SHIP CARTON QTY.	BAR CODE
<b>One Hole Push-on Straps Stamped – Steel (cULus)</b>				
2082	1/2"	100	25	—
2083	3/4"	50	10	—
2084	1"	50	5	—
2085	1-1/4"	—	5	—
2086	1-1/2"	—	5	—
2088	2"	—	5	—
1337	2-1/2"	—	5	—
1339	3"	—	1	—
1340	3-1/2"	—	1	—
1341	4"	—	1	—
<b>Two Hole Straps Stamped – Steel</b>				
2092	1/2"	—	100	—
2093	3/4"	—	100	—
2094	1"	—	100	—
2095	1-1/4"	—	50	—
2096	1-1/2"	—	50	—
2098	2"	—	25	—
2239	2-1/2"	—	25	—
2240	3"	—	25	—
2241	3-1/2"	—	25	—
2242	4"	—	10	—


**STRAPS - MALLEABLE AND STEEL**

**One Hole Straps**

**Nail-up Straps**

CATALOG #	TRADE SIZE	UNIT CARTON QTY.	SHIP CARTON QTY.	BAR CODE
<b>One Hole Push-on Straps Stamped – Steel (cULus)</b>				
1310	2-1/2"	—	10	—
1312	3"	—	10	—
1314	3-1/2"	—	5	—
1316	4"	—	5	—
<b>Two Hole Straps Stamped – Steel</b>				
2252	1/2"	100	1000	—
2253	3/4"	100	1000	—
2254	1"	100	1000	—

**MALLEABLE-STRAPS APPLICATION**

- For use in mounting EMT conduit in wet or dry locations

**STEEL-STRAPS APPLICATION**

- For use in mounting EMT conduit

**MALLEABLE - STRAPS PRODUCT FEATURES**

- All malleable construction ensures mechanical protection
- Oversized bolt holes for easy alignment of the fastener
- All straps are zinc-electroplated for corrosion protection

**STEEL - STRAPS PRODUCT FEATURE**

- Stamped steel straps are pre-galvanized for added corrosion protection

**STEEL - STRAPS COMPLIANCE**

- - LISTED E195968, E195973
- - (2252-2253)

**CLAMP BACKS - MALLEABLE IRON**

**Clamp Backs**

CATALOG #	RIGID/IMC SIZE	EMT SIZE	UNIT CARTON QTY.	SHIP CARTON QTY.	BAR CODE
<b>Clampbacks – Malleable Iron</b>					
1342	1/2"	3/4"	—	100	—
1343	3/4"	1"	—	100	—
1344	1"	1-1/4"	—	50	—
1345	1-1/4"	1-1/2"	—	25	—
1346	1-1/2"	2"	—	25	—
1348	2"	2"	—	10	—
1347	2-1/2"	2-1/2"	—	10	—
1349	3"	3"	—	10	—
1350	3-1/2"	3-1/2"	—	5	—
1351	4"	4"	—	5	—

**APPLICATIONS**

- For use with RACO® 1300 Series EMT and Rigid/IMC straps to permit space between the conduit and the mounting surface
- Use of clampbacks in outdoor locations can prevent the build-up of snow and rain between the conduit and the mounting surface

**PRODUCT FEATURES**

- All malleable construction ensures durability and mechanical protection
- Zinc-electroplated for added corrosion protection
- Elongated bolt holes for easy alignment with straps
- For use in mounting EMT conduit in wet or dry locations

**COMPLIANCE**

- FILE E195968

SEE END OF SECTION (PG B96-B97) FOR DETAILED DRAWINGS &gt;&gt;



## RIGID SET SCREW CONNECTORS

### SET SCREW CONNECTORS - STEEL



**Insulated Connectors**



**Uninsulated Connectors**

#### APPLICATIONS

- For use in dry locations to bond unthreaded Rigid/IMC conduit to a box or enclosure
- RACO® steel set screw connectors are suitable for concrete-tight applications when taped

#### PRODUCT FEATURES

- All steel construction ensures mechanical protection for the raceway
- 2-1/2" to 4" trade sizes are also UL Listed for use on EMT conduit, allowing for design and installation flexibility
- All components are zinc-electroplated for corrosion protection

#### COMPLIANCE

- - Standard 514B  
UL Listed E195969

INSULATED CATALOG #	UNINSULATED CATALOG #	TRADE SIZE	UNIT CARTON QTY.	SHIP CARTON QTY.	BAR CODE
<b>Compression Connectors – Steel/Malleable Iron</b>					
—	<b>3002</b>	1/2"	—	25	—
—	<b>3003</b>	3/4"	—	25	—
—	<b>3004</b>	1"	—	10	—
—	<b>3005</b>	1-1/4"	—	5	—
—	<b>3006</b>	1-1/2"	—	5	—
—	<b>3008</b>	2"	—	5	—
<b>2160</b>	<b>2140</b>	2-1/2"	—	5	—
<b>2162RAC</b>	<b>2142</b>	3"	—	1	—
<b>2164</b>	<b>2144</b>	3-1/2"	—	1	—
<b>2166</b>	<b>2146</b>	4"	—	1	—

SEE END OF SECTION (PG B91 AND B98) FOR DETAILED DRAWINGS >>



**SET SCREW COUPLINGS - STEEL**

**Couplings**

CATALOG #	TRADE SIZE	UNIT CARTON QTY.	SHIP CARTON QTY.	BAR CODE
<b>Couplings – Steel</b>				
3022	1/2"	—	25	—
3023	3/4"	—	10	—
3024	1"	—	5	—
3025	1-1/4"	—	5	—
3026	1-1/2"	—	5	—
3028	2"	—	5	—
2150	2-1/2"	—	5	—
2152	3"	—	1	—
2154	3-1/2"	—	1	—
2156	4"	—	1	—

**APPLICATIONS**

- For use in dry locations to couple two ends of unthreaded Rigid/IMC conduit
- RACO® steel set screw couplings are suitable for concrete-tight applications when taped

**PRODUCT FEATURES**

- All steel construction ensures mechanical protection for the raceway
- 2-1/2" to 4" trade sizes are also UL Listed for use on EMT conduit, allowing for design and installation flexibility
- All components are zinc-electroplated for corrosion protection

**COMPLIANCE**

- - Standard 514B  
UL Listed E195969


**RIGID COMPRESSION CONNECTORS**
**COMPRESSION CONNECTORS - STEEL/MALLEABLE IRON**

**Insulated Connectors  
Steel**

**Uninsulated Connectors  
Steel**

**1810-1816  
Uninsulated Connector  
Malleable Iron**
**APPLICATIONS**

- Use to bond unthreaded Rigid/IMC conduit to a box or enclosure
- RACO® 1/2" to 4" connectors and couplings provide concrete-tight connections

**PRODUCT FEATURES**

- All steel/malleable iron construction ensures mechanical protection for the raceway
- Hex compression nuts assure easy wrench installation
- All components are zinc-electroplated for corrosion protection

**COMPLIANCES**

- - Standard 514B  
UL FILE E195969
- - C22.2 #18

INSULATED CATALOG #	UNINSULATED CATALOG #	TRADE SIZE	UNIT CARTON QTY.	SHIP CARTON QTY.	BAR CODE
<b>Compression Connectors – Steel/Malleable Iron</b>					
3802RAC	1802	1/2"	—	25	—
3803RAC	1803	3/4"	—	25	—
3804RAC	1804	1"	—	10	—
3805RAC	1805	1-1/4"	—	5	—
3806RAC	1806	1-1/2"	—	5	—
3808RAC	1808	2"	—	5	—
—	1810	2-1/2"	—	5	—
—	1812	3"	—	1	—
—	1814	3-1/2"	—	1	—
—	1816	4"	—	1	—

SEE END OF SECTION (PG B99) FOR DETAILED DRAWINGS &gt;&gt;


**COMPRESSION COUPLINGS - STEEL/MALLEABLE IRON**

**Couplings  
Steel**

**1830-1836  
Coupling Malleable Iron**

CATALOG #	TRADE SIZE	UNIT CARTON QTY.	SHIP CARTON QTY.	BAR CODE
<b>Couplings – Steel/Malleable Iron</b>				
1822	1/2"	—	25	—
1823	3/4"	—	10	—
1824	1"	—	5	—
1825	1-1/4"	—	5	—
1826	1-1/2"	—	5	—
1828	2"	—	5	—
1830	2-1/2"	—	5	—
1832	3"	—	1	—
1834	3-1/2"	—	1	—
1836	4"	—	1	—

**APPLICATIONS**

- Use to couple two ends of unthreaded Rigid/IMC conduit
- RACO® 1/2" to 4" couplings provide concrete-tight connections

**PRODUCT FEATURES**

- All steel/malleable iron construction ensures mechanical protection for the raceway
- Hex compression nuts assure easy wrench installation
- All components are zinc-electroplated for corrosion protection

**COMPLIANCE**

- - Standard 514B  
UL FILE E195969
- - C22.2 #18


**SHORT ELBOWS - MALLEABLE IRON**

**90 Degree Short Elbows**
**APPLICATION**

- For use with threaded Rigid/IMC conduit
- 90° short elbows are ideal for use in tight locations where bending of conduit is not practical

**PRODUCT FEATURES**

- All malleable iron construction ensures mechanical protection for the raceway
- All components are zinc-electroplated for corrosion protection

**COMPLIANCES**

- - Standard 514B

CATALOG #	TRADE SIZE	UNIT CARTON QTY.	SHIP CARTON QTY.	BAR CODE
<b>90° Short Elbows – Malleable Iron</b>				
1722	1/2"	—	50	—
1723	3/4"	—	25	—

SEE END OF SECTION (PG B99) FOR DETAILED DRAWINGS &gt;&gt;



## HANDY ELLS - DIE-CAST


**90° Handy Ells Threaded Connectors**

**90° Handy Ells Threaded Couplings**

CATALOG #	TRADE SIZE	UNIT CARTON QTY.	SHIP CARTON QTY.	BAR CODE
<b>90° Handy-Ells Threaded Connectors - Die-Cast Zinc</b>				
2662	1/2"	10	100	—
2663	3/4"	5	50	—
2664RAC	1"	—	25	—
<b>90° Handy-Ells Threaded Couplings - Die-Cast Zinc</b>				
2652	1/2"	10	100	—
2653	3/4"	5	50	—
2654	1"	—	25	—
2655	1-1/4"	—	20	—

**APPLICATIONS**

- For use with threaded Rigid/IMC conduit to bond conduit to a box or enclosure, or to couple two ends of Rigid/IMC conduit
- Use handy ells when bending conduit is not practical

**PRODUCT FEATURES**

- Gasket and cover included

**COMPLIANCE**

- - Standard 514B  
UL Listed E195969
- - C22.2 #18




**THREE-PIECE COUPLINGS - MALLEABLE IRON**

**Three-piece Couplings**
**APPLICATIONS**

- For use with threaded Rigid/IMC conduit
- Use couplings to couple conduit ends when the conduit cannot be turned
- RACO® Three-piece couplings provide concrete-tight connections

**PRODUCT FEATURES**

- Malleable iron construction ensures mechanical protection for the raceway
- All components are zinc-electroplated for corrosion protection

**COMPLIANCE**

- us  
UL Listed E195969

CATALOG #	TRADE SIZE	UNIT CARTON QTY.	SHIP CARTON QTY.	BAR CODE
<b>Three-Piece Couplings - Malleable Iron</b>				
1502	1/2"	—	25	—
1503	3/4"	—	25	—
1504	1"	—	5	—
1505	1-1/4"	—	5	—
1506	1-1/2"	—	5	—
1508	2"	—	5	—
1510	2-1/2"	—	4	—
1512	3"	—	4	—
1514	3-1/2"	—	2	—
1516	4"	—	2	—
<b>Three-Piece Couplings - Steel</b>				
1520	4"	—	1	—
1524	4"	—	1	—

SEE END OF SECTION (PG B100) FOR DETAILED DRAWINGS &gt;&gt;

**COMBINATION COUPLINGS - STEEL**

**Rigid to EMT Couplings  
Threaded/Compression**

**Rigid to EMT Couplings  
Set Screw**

CATALOG #	TRADE SIZE	UNIT CARTON QTY.	SHIP CARTON QTY.	BAR CODE
<b>Rigid-EMT Couplings Threaded/Compression - Steel</b>				
1352	1/2"	—	25	—
1353	3/4"	—	25	—
1354	1"	—	25	—
<b>Rigid-EMT Couplings Set Screw - Steel</b>				
1432	1/2"	—	25	—
1433	3/4"	—	25	—
1434	1"	—	25	—

**APPLICATIONS**

- Use when coupling Rigid/IMC to EMT
- Use RACO® Cat. Nos. 1352 - 1354 when coupling threaded Rigid/IMC conduit to EMT
- Use RACO® Cat. Nos. 1432 - 1434 when coupling unthreaded Rigid/IMC conduit to EMT

**PRODUCT FEATURES**

- All steel construction ensures mechanical protection
- All components are zinc-electroplated for corrosion protection
- UPC bar code fittings are individually polybagged with a preprinted UPC-A bar code and packaged in pre-scored tear top cartons for attractive presentation

**COMPLIANCE**

- - Standard 514B (1432 - 1434 only)  
UL FILE E195969

**COMBINATION COUPLINGS - MALLEABLE IRON**

**Rigid to Flex Couplings Threaded/Squeeze**

CATALOG #	TRADE SIZE	UNIT CARTON QTY.	SHIP CARTON QTY.	BAR CODE
<b>Rigid - Flex Couplings - Malleable Iron Squeeze/Threaded</b>				
1552	1/2"	—	100	—
1553	3/4"	—	25	—
1554	1"	—	25	—

**APPLICATION**

- Use RACO® Cat. Nos. 1552 - 1554 when coupling flexible metal conduit to threaded Rigid/IMC

**PRODUCT FEATURES**

- All malleable iron construction ensures mechanical protection for the raceway
- All components are zinc-electroplated for corrosion protection

**COMPLIANCE**

- 

SEE END OF SECTION (PG B101) FOR DETAILED DRAWINGS &gt;&gt;



## RIGID COMBINATION COUPLINGS

### THREE-PIECE COUPLINGS - STEEL



Three-piece Super Coupling

#### APPLICATIONS

- Designed to couple threaded Rigid/IMC conduit to either threaded or unthreaded Rigid/IMC or EMT conduit
- Unique features lend to quick and simplified installation
- No turning of the conduit is required, and no disassembly of the coupling is needed

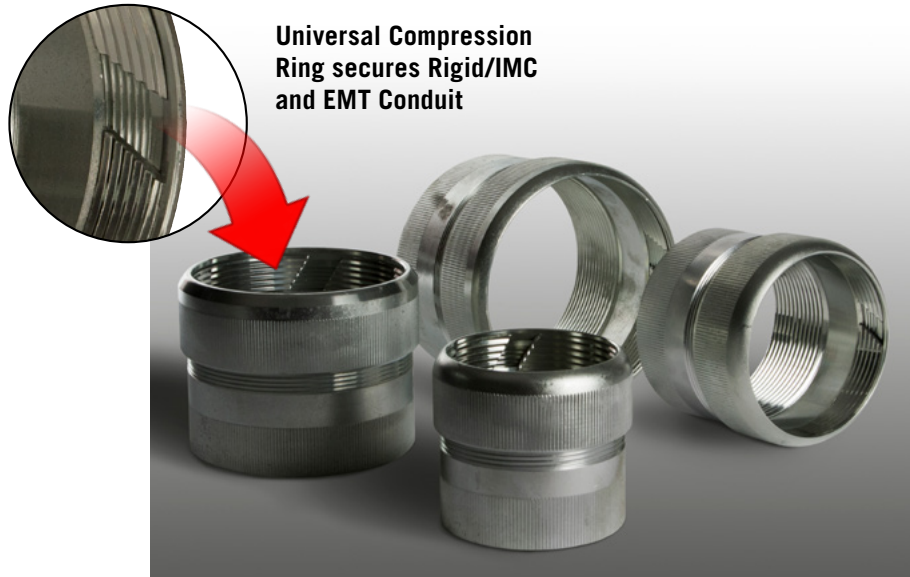
#### PRODUCT FEATURES

- Reduces installation time
- Eliminates field threading
- Lighter than traditional malleable iron 3-piece coupling
- Compact size makes installation easier where space is limited
- No need to disassemble the compression nut and ring
- Zinc-plated steel
- UL concrete-tight

#### COMPLIANCE

- us  
UL Listed E195969

CATALOG #	TRADE SIZE	SHIP CARTON WEIGHT (LBS)	SHIP CARTON QTY.	BAR CODE
<b>Three-Piece Super Couplings - Steel</b>				
1530RAC	2-1/2"	3.39	2	—
1532RAC	3"	2.18	1	—
1534RAC	3-1/2"	2.67	1	—
1536RAC	4"	3.08	1	—



SEE END OF SECTION (PG B100) FOR DETAILED DRAWINGS >>

## THREADED HUBS - DIE-CAST


**Threaded Hubs Insulated**

CATALOG #	TRADE SIZE	UNIT CARTON QTY.	SHIP CARTON QTY.	BAR CODE
<b>Threaded Hubs Insulated Throat - Die-Cast Zinc</b>				
1702	1/2"	—	25	—
1703	3/4"	—	25	—
1704	1"	—	25	—
1705	1-1/4"	—	10	—
1706	1-1/2"	—	10	—
1708	2"	—	10	—
1710	2-1/2"	—	5	—
1712	3"	—	2	—
1714	3-1/2"	—	2	—
1716	4"	—	2	—

**APPLICATIONS**

- For use with threaded Rigid/IMC conduit to connect and bond conduit to a threadless opening in a box or enclosure
- May be used in wet or dry locations

**PRODUCT FEATURES**

- Rugged metallic construction ensures mechanical protection
- Insulated throat protects wires and reduces wire pulling effort
- O-ring seals the assembly and provides a raintight seal

**COMPLIANCE**

- - Standard 514B  
UL Listed E195969
- - C22.2 #18


**RIGID REDUCING BUSHINGS**
**REDUCING BUSHINGS - STEEL**

**Reducing Bushings**
**APPLICATION**

- For use with threaded Rigid/IMC conduit to reduce the size of a female hub to accommodate a smaller size of conduit or male threaded hub

**PRODUCT FEATURES**

- Rugged steel construction ensures mechanical protection of the raceway
- Zinc-electroplated for corrosion protection

**COMPLIANCE**

- **UL** us  
UL Listed E195969

CATALOG #	TRADE SIZE	UNIT CARTON QTY.	SHIP CARTON QTY.	BAR CODE
<b>Reducing Bushings - Steel</b>				
1141	1/2" - 3/8"	—	100	—
1142	3/4" - 1/2"	—	100	—
1143	1" - 1/2"	—	50	—
1144	1" - 3/4"	—	50	—
1145	1-1/4" - 1/2"	—	50	—
1146	1-1/4" - 3/4"	—	50	—
1147	1-1/4" - 1"	—	50	—
1148	1-1/2" - 1/2"	—	50	—
1149	1-1/2" - 3/4"	—	50	—
1150	1-1/2" - 1"	—	50	—
1151	1-1/2" - 1-1/4"	—	50	—
1152	2" - 1/2"	—	25	—
1153	2" - 3/4"	—	25	—
1154	2" - 1"	—	25	—
1155	2" - 1-1/4"	—	25	—
1156	2" - 1-1/2"	—	25	—

SEE END OF SECTION (PG B102) FOR DETAILED DRAWINGS &gt;&gt;





## REDUCING BUSHINGS - IRON



**Reducing Bushings**

CATALOG #	TRADE SIZE	UNIT CARTON QTY.	SHIP CARTON QTY.	BAR CODE
<b>Reducing Bushings - Iron</b>				
1160	2-1/2" - 1-1/4"	—	10	—
1161	2-1/2" - 1-1/2"	—	10	—
1162	2-1/2" - 2"	—	10	—
1168	3" - 2"	—	10	—
1169	3" - 2-1/2"	—	5	—
1175	3-1/2" - 2"	—	5	—
1176	3-1-2" - 2-1/2"	—	5	—
1177	3-1/2" - 3"	—	5	—
1185	4" - 3"	—	5	—
1186	4" - 3-1/2"	—	5	—

### APPLICATION

- For use with threaded Rigid/IMC conduit to reduce the size of a female hub to accommodate a smaller size of conduit or male threaded hub

### PRODUCT FEATURES

- Rugged iron construction ensures mechanical protection of the raceway
- Zinc-electroplated for corrosion protection

### COMPLIANCE

- cUL<sub>us</sub>  
UL Listed E195969


**LOCKNUTS - STEEL**

**Locknuts  
(1001)**

**Locknuts  
(1002 - 1220)**
**APPLICATION**

- For use in dry locations on threaded Rigid/IMC conduit to secure conduit to a box or enclosure

**PRODUCT FEATURES**

- All steel construction ensures mechanical protection
- Zinc-electroplated for corrosion protection

**COMPLIANCES (EXCLUDES NON-UL)**

- - Standard 514B  
UL Listed E195969
- - C22.2 #18

CATALOG #	TRADE SIZE	UNIT CARTON QTY.	SHIP CARTON QTY.	BAR CODE
<b>Locknuts - Steel</b>				
1001	3/8"	100	1000	—
1002	1/2"	100	1000	—
1003	3/4"	100	1000	—
1004	1"	—	100	—
1005	1-1/4"	—	50	—
1006	1-1/2"	—	50	—
1008	2"	—	50	—
1010	2-1/2"	—	30	—
1012	3"	—	25	—
1014	3-1/2"	—	15	—
1016	4"	—	10	—
1020	5"	—	8	—
1024	6"	—	8	—
<b>Non-UL Locknuts - Steel</b>				
1192	1/2"	100	1000	—
1193	3/4"	100	1000	—
1194	1"	—	100	—
1195	1-1/4"	—	50	—
1196	1-1/2"	—	50	—
1198	2"	—	50	—
1197	2-1/2"	—	30	—
1199	3"	—	25	—
1200	3-1/2"	—	15	—
1201	4"	—	10	—
1219	5"	—	8	—

SEE END OF SECTION (PG B103) FOR DETAILED DRAWINGS &gt;&gt;



### BONDING LOCKNUTS - STEEL



Bonding Locknuts

CATALOG #	TRADE SIZE	UNIT CARTON QTY.	SHIP CARTON QTY.	BAR CODE
<b>Bonding Locknuts - Steel</b>				
1242	1/2"	—	50	—
1243	3/4"	—	50	—
1244	1"	—	25	—
1245	1-1/4"	—	25	—
1246	1-1/2"	—	25	—
1248	2"	—	20	—
1250	2-1/2"	—	10	—
1252	3"	—	10	—
1254	3-1/2"	—	5	—
1256	4"	—	5	—

#### APPLICATION

- For use on threaded Rigid/IMC conduit
- Use bonding locknuts when additional locking and grounding connections are required for applications where severe vibration is encountered

#### PRODUCT FEATURES

- All steel construction ensures mechanical protection
- Zinc-electroplated for corrosion protection

#### COMPLIANCES

- - Standard 514B  
UL Listed E195975
- - C22.2 #18

### GROUNDING RINGS



1753



1754

CATALOG #	TRADE SIZE	UNIT CARTON QTY.	SHIP CARTON QTY.	BAR CODE
<b>Threaded Conduit Hub Grounding Ring - Die Cast Zinc</b>				
1753	3/4"	—	250	
1754	1"	—	250	

#### APPLICATION

- RACO Conduit Hub Grounding Rings are intended for use with RACO threaded die cast zinc Rigid/IMC conduit hubs
- Install the hub into a threadless enclosure opening and secure by threading the ring onto the end of the hub throat and tightening. Secure the ground wire to the bonding screw

- Bonding screws assure ground path continuity throughout the raceway

#### PRODUCT FEATURES

- Die cast zinc construction provides corrosion resistance
- NPSM tapping threads
- Slotted head, steel, water-tight bonding screw

SEE END OF SECTION (PG B104) FOR DETAILED DRAWINGS >>


**SEALING LOCKNUTS - STEEL**

**Sealing Locknuts**
**APPLICATION**

- For use on threaded Rigid/IMC conduit to provide a liquidtight seal against water and oil
- RACO® sealing locknuts may be used with either sheet metal or cast enclosures

**PRODUCT FEATURES**

- Fused-in-place gasket guarantees a liquidtight seal
- Use RACO sealing locknut as an economical alternative to a threaded enclosure connector
- All steel construction ensures mechanical protection
- Zinc-electroplated for corrosion protection

**COMPLIANCES**

- - Standard 514B (1202 - 1210)  
UL FILE E195969
- - C22.2 #18 (1202 - 1211)

CATALOG #	TRADE SIZE	UNIT CARTON QTY.	SHIP CARTON QTY.	BAR CODE
<b>Sealing Locknuts - Steel</b>				
1202	1/2"	—	100	—
1203	3/4"	—	100	—
1204	1"	—	50	—
1205	1-1/4"	—	50	—
1206	1-1/2"	—	25	—
1208	2"	—	25	—
1207	2-1/2"	—	30	—
1209	3"	—	25	—
1210	3-1/2"	—	15	—
1211	4"	—	10	—


**INSULATING BUSHINGS - POLYPROPYLENE**

**Insulating Bushings**

**Universal Split Insulating Bushings**


CATALOG #	TRADE SIZE	UNIT CARTON QTY.	SHIP CARTON QTY.	BAR CODE
<b>Insulating Bushings – Polypropylene</b>				
1402	1/2"	100	400	—
1403	3/4"	100	400	—
1404	1"	50	200	—
1405	1-1/4"	—	25	—
1406	1-1/2"	—	25	—
1408	2"	—	25	—
1410	2-1/2"	—	10	—
1412	3"	—	10	—
1414	3-1/2"	—	5	—
1416	4"	—	5	—
1420	5"	—	5	—
1424	6"	—	5	—
<b>Universal Split Insulating Bushings – Polypropylene</b>				
1410USP	2-1/2"	—	20	—
1412USP	3"	—	20	—
1414USP	3-1/2"	—	20	—
1416USP	4"	—	10	—

**APPLICATIONS - INSULATING BUSHINGS**

- For use on threaded Rigid/IMC conduit
- RACO® bushings provide a smooth rounded surface at the entrance of raceways

**PRODUCT FEATURE**

- Insulating bushings are made of high impact polypropylene temperature rated 105° C

**APPLICATIONS - SPLIT BUSHINGS**

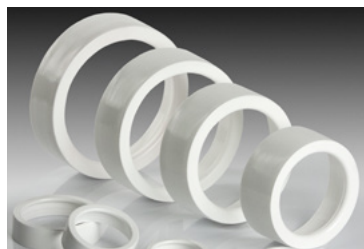
- Install on fittings, threaded or unthreaded Rigid/IMC, or EMT conduit
- Can be installed after wires and cables are pulled

**PRODUCT FEATURES**

- Code-saver
- One-piece design: no fumbling with extra pieces
- Easy, quick installation
- Low profile design
- No more damaged bushings during wire pulling
- Rated to 105° C

**COMPLIANCE**

- cUL<sub>us</sub>

**INSULATING BUSHINGS – POLYETHYLENE**


CATALOG #	TRADE SIZE	UNIT CARTON QTY.	SHIP CARTON QTY.	BAR CODE
<b>Insulating Bushings – Polyethylene</b>				
2180RAC*	2-1/2"	—	25	—
2182RAC*	3"	—	25	—
2184RAC*	3-1/2"	—	25	—
2186RAC*	4"	—	25	—

\*Can be used on Rigid/IMC Conduit

**APPLICATION**

- RACO® EMT insulating bushings provide a smooth surface for cable installation. Insulation prevents costly damage by protecting cable jacketing from sharp conduit edges during pulling.
- Common applications include telephone, data, alarm/security, and other low voltage cable installations.

**PRODUCT FEATURES**

- High-density Polyethylene construction
- Temperature rated at 90° C
- Easy push-on design
- White color

**COMPLIANCE**

- NEC Article 300.15c

SEE END OF SECTION (PG B97) FOR DETAILED DRAWINGS >>





BUSHINGS - MALLEABLE IRON



**Bushings**

**APPLICATION**

- For use on threaded Rigid/IMC conduit
- RACO® bushings provide a smooth rounded surface at the entrance of raceways

**PRODUCT FEATURES**

- Malleable iron construction ensures mechanical protection
- Zinc-electroplated for corrosion protection

**COMPLIANCES**

- - Standard 514B  
UL Listed E195969
- - C22.2 #18

CATALOG #	TRADE SIZE	UNIT CARTON QTY.	SHIP CARTON QTY.	BAR CODE
<b>Bushings - Malleable Iron</b>				
1102RAC	1/2"	—	100	—
1103	3/4"	—	100	—
1104	1"	—	50	—
1105	1-1/4"	—	50	—
1106	1-1/2"	—	50	—
1108	2"	—	50	—
1110	2-1/2"	—	30	—
1112	3"	—	10	—
1114	3-1/2"	—	10	—
1116	4"	—	10	—

SEE END OF SECTION (PG B105) FOR DETAILED DRAWINGS >>




**INSULATED BUSHINGS - MALLEABLE IRON**

**Malleable Iron**

**Die-cast Zinc**

CATALOG #	TRADE SIZE	UNIT CARTON QTY.	SHIP CARTON QTY.	BAR CODE
<b>Insulated Bushings - Malleable Iron</b>				
1132*	1/2"	100	100	—
1133*	3/4"	100	50	—
1134*	1"	50	25	—
1135	1-1/4"	—	25	—
1136	1-1/2"	—	25	—
1138	2"	—	10	—
1126	2-1/2"	—	10	—
1127	3"	—	5	—
1128	3-1/2"	—	5	—
1129	4"	—	5	—

\*Available in Die-cast Zinc. Add suffix DC when ordering.

**APPLICATION**

- For use on threaded Rigid/IMC conduit to provide a smooth rounded surface at the entrance of raceways

**PRODUCT FEATURES**

- Insuliner temperature rated 150° C
- Malleable iron construction ensures mechanical protection for the raceway
- Zinc-electroplated for corrosion protection
- 1/2" to 1" trade sizes are also available in die-cast zinc

**COMPLIANCES**

- - Standard 514B  
UL Listed E195969
- - C22.2 #18


**INSULATED BUSHINGS**
**150° INSULATED GROUNDING BUSHINGS - MALLEABLE IRON**

**Insulated Grounding Bushings  
Lay-in Lug**

**Insulated Grounding Bushings  
Feed-thru Lug**
**APPLICATION**

- For use on threaded Rigid/IMC conduit to provide a means of grounding conduit through an insulated bushing

**PRODUCT FEATURES**

- Lay-in and Feed-thru lug styles provide an easy means of inserting a ground wire
- Dual rated aluminum grounding lugs may be used with copper or aluminum grounding conductors
- Insuliner temperature rated 150° C
- Malleable iron construction ensures mechanical protection for the raceway
- Zinc-electroplated for corrosion protection

**COMPLIANCES**

- - Standard 514B
- - C22.2 #18

CATALOG #	TRADE SIZE	UNIT CARTON QTY.	SHIP CARTON QTY.	GROUNDING WIRE CAPACITY		BAR CODE
				MIN.	MAX.	
<b>150° Insulated Grounding Bushings - Lay-In Lug - Malleable Iron</b>						
1212	1/2"	—	100	#14 Sol.	#4 Str.	—
1213	3/4"	—	100	#14 Sol.	#4 Str.	—
1214	1"	—	50	#14 Sol.	#4 Str.	—
1215	1-1/4"	—	25	#14 Sol.	#4 Str.	—
1216	1-1/2"	—	25	#14 Sol.	#4 Str.	—
1218	2"	—	10	#14 Sol.	#4 Str.	—
1290	2-1/2"	—	10	#14 Sol.	#1/0 Str.	—
1292RAC	3"	—	5	#14 Sol.	#1/0 Str.	—
1294	3-1/2"	—	5	#6 Sol.	#250 MCM	—
1296	4"	—	5	#6 Sol.	#250 MCM	—
<b>150° Insulated Grounding Bushings - Lay-In Lug - Die-Cast Zinc</b>						
1262DC	1/2"	—	100	#14 Sol.	#4 Str.	—
1263DC	3/4"	—	100	#14 Sol.	#4 Str.	—
1264DC	1"	—	50	#14 Sol.	#4 Str.	—
<b>150° Insulated Grounding Bushings - Feed-thru Lug - Malleable Iron</b>						
1222	1/2"	—	100	#14 Sol.	#4 Str.	—
1223	3/4"	—	100	#14 Sol.	#4 Str.	—
1224	1"	—	50	#14 Sol.	#4 Str.	—
1225	1-1/4"	—	25	#14 Sol.	#4 Str.	—
1226	1-1/2"	—	25	#14 Sol.	#4 Str.	—
1228	2"	—	10	#14 Sol.	#4 Str.	—
1230	2-1/2"	—	10	#14 Sol.	#1/0 Str.	—
1232RAC	3"	—	5	#14 Sol.	#1/0 Str.	—
1234	3-1/2"	—	5	#6 Sol.	#250 MCM	—
1236	4"	—	5	#6 Sol.	#250 MCM	—

SEE END OF SECTION (PG B106) FOR DETAILED DRAWINGS &gt;&gt;


**STRAPS - STEEL**

**One Hole Push-on Straps**

CATALOG #	TRADE SIZE	UNIT CARTON QTY.	SHIP CARTON QTY.	BAR CODE
<b>One Hole Push-on Straps - Stamped Steel</b>				
1332	1/2"	100	500	—
1333	3/4"	100	500	—
1334	1"	50	250	—
1335	1-1/4"	—	25	—
1336	1-1/2"	—	25	—
1338	2"	—	25	—
1337	2-1/2"	—	25	—
1339	3"	—	25	—
1340	3-1/2"	—	10	—
1341	4"	—	10	—

**APPLICATION**

- For use in mounting Rigid/IMC conduit in wet or dry locations
- RACO® Rigid/IMC conduit straps are suitable for use on liquidtight flexible metal conduit and liquidtight flexible nonmetallic conduit (type B)

**PRODUCT FEATURES**

- All stamped steel construction ensures mechanical protection
- RACO® steel one-hole straps snap on to conduit, allowing the installer to easily position the strap before mounting
- All straps are zinc-electroplated for corrosion protection

SEE END OF SECTION (PG B107) FOR DETAILED DRAWINGS &gt;&gt;



STRAPS - STEEL



**Two Hole Straps**

**APPLICATION**

- For use in mounting Rigid/IMC conduit in wet or dry locations
- RACO® Rigid/IMC conduit straps are suitable for use on liquidtight flexible metal conduit and liquidtight flexible nonmetallic conduit (type B)

**PRODUCT FEATURES**

- All stamped steel construction ensures mechanical protection
- All straps are zinc-electroplated for corrosion protection

CATALOG #	TRADE SIZE	UNIT CARTON QTY.	SHIP CARTON QTY.	BAR CODE
<b>Two Hole Push-on Straps - Stamped Steel</b>				
2232	1/2"	—	100	—
2233	3/4"	—	100	—
2234	1"	—	100	—
2235	1-1/4"	—	100	—
2236	1-1/2"	—	50	—
2238	2"	—	25	—
2239	2-1/2"	—	25	—
2240	3"	—	25	—
2241	3-1/2"	—	25	—
2242	4"	—	10	—
2245-2	5"	—	5	—
2246-2	6"	—	5	—

SEE END OF SECTION (PG B107) FOR DETAILED DRAWINGS >>






**ONE HOLE STRAPS - MALLEABLE IRON**

**One Hole Straps**

CATALOG #	TRADE SIZE	UNIT CARTON QTY.	SHIP CARTON QTY.	BAR CODE
<b>One Hole Straps - Stamped Steel</b>				
*1301	3/8"	—	100	—
1302	1/2"	—	100	—
1303	3/4"	—	100	—
1304	1"	—	50	—
1305	1-1/4"	—	25	—
1306	1-1/2"	—	25	—
1308	2"	—	25	—
1310	2-1/2"	—	10	—
1312	3"	—	10	—
1314	3-1/2"	—	5	—
1316	4"	—	5	—

\*3/8" not Listed

**APPLICATION**

- For use in mounting Rigid/IMC conduit in wet or dry locations
- RACO® Rigid/IMC conduit straps are suitable for use on liquidtight flexible metal conduit and liquidtight flexible nonmetallic conduit (type B)

**PRODUCT FEATURES**

- All malleable construction ensures mechanical protection
- All straps are zinc-electroplated for corrosion protection

**COMPLIANCES**

- - LISTED
- - C22.2 #18 LR57925
- - LISTED E229278


**CLAMP BACKS - MALLEABLE IRON**

**Clamp Backs**

CATALOG #	TRADE SIZE		UNIT CARTON QTY.	SHIP CARTON QTY.	BAR CODE
	RIGID SIZE	EMT SIZE			
<b>Clamp Backs - Malleable Iron</b>					
1342	1/2"	3/4"	—	100	—
1343	3/4"	1"	—	100	—
1344	1"	1-1/4"	—	50	—
1345	1-1/4"	1-1/2"	—	25	—
1346	1-1/2"	2"	—	25	—
1348	2"	2"	—	10	—
1347	2-1/2"	2-1/2"	—	10	—
1349	3"	3"	—	10	—
1350	3-1/2"	3-1/2"	—	5	—
1351	4"	4"	—	5	—

**APPLICATION**

- For use with RACO® 1300 Series straps to permit space between the conduit and the mounting surface
- Use of clamp backs in outdoor locations can prevent the buildup of snow and rain between the conduit and the mounting surface

**PRODUCT FEATURES**

- All malleable construction ensures durability and mechanical protection
- Elongated bolt holes make alignment with straps easy

**COMPLIANCE**

- UL Listed E195968

SEE END OF SECTION (PG B107 AND B108) FOR DETAILED DRAWINGS >>>



## LIQUIDTIGHT CONDUIT AND CORD CONNECTORS

### STRAIGHT CONNECTORS



**Insulated  
Steel/Malleable Iron**



**Uninsulated  
Steel/Malleable Iron**

#### APPLICATIONS

- For use in outdoor or indoor locations on flexible metallic liquidtight conduit and Type B flexible nonmetallic liquidtight conduit
- Use to positively bond the conduit to a box or enclosure
- RACO® liquidtight connectors are suitable for use in Class I, Div 2; Class II, Div 1 & 2; and Class III, Div 1 & 2 hazardous locations

#### PRODUCT FEATURES

- Unique split-glandring is designed to slip onto the conduit quickly and to grip the jacket of the conduit, speeding installation, assuring a perfect seal, and preventing pullouts
- All components are reusable - RACO® liquidtight connectors may be easily disassembled and reused after years of service
- Sealing washer (included) provides a liquidtight seal when terminating the connector in a threadless opening
- Heavy duty locknut included with every RACO® liquidtight connector assures continuity of ground
- All steel/iron components are zinc-electroplated for added corrosion protection
- UPC bar coded fittings are individually polybagged with a preprinted UPC-A bar code and packaged in pre-scored tear top cartons for attractive presentation

#### BODIES – STRAIGHT

- Malleable Iron - 3/8" to 4"

#### NUTS – STRAIGHT, 45°

- Steel - 3/8" to 1"
- Malleable Iron - 1-1/4" to 4"

#### COMPLIANCES

- - Standard 514B  
UL Listed E195969
- - C22.2 #18

INSULATED CATALOG #	UNINSULATED CATALOG #	TRADE SIZE	UNIT CARTON QTY.	SHIP CARTON QTY.	BAR CODE
<b>Straight - Insulated and Uninsulated – Steel/Malleable Iron</b>					
*3511RAC	—	3/8"	25	100	—
—	3401	3/8"	50	200	—
—	3401-8	3/8"	1	15	
3512RAC	3402	1/2"	50	200	—
3512-8	3402-8	1/2"	1	15	
3513RAC	3403	3/4"	25	100	—
3513-8	3403-8	3/4"	1	10	
3514RAC	3404	1"	—	10	—
3514-8	3404-8	1"	1	5	
3515RAC	3405	1-1/4"	—	10	—
3516	3406	1-1/2"	—	5	—
3518	3408	2"	—	5	—
3520	3410	2-1/2"	—	1	—
3522	3412	3"	—	1	—
3524	3414	3-1/2"	—	1	—
3526	3416	4"	—	1	—

### 45° CONNECTORS



**Insulated Malleable Iron**



**Uninsulated Malleable Iron**

INSULATED CATALOG #	UNINSULATED CATALOG #	TRADE SIZE	UNIT CARTON QTY.	SHIP CARTON QTY.	BAR CODE
<b>45° Insulated and Uninsulated – Malleable Iron</b>					
*3561	3441*	3/8"	—	25	—
3562	3442	1/2"	—	25	—
3563	3443	3/4"	—	25	—
3564	3444	1"	—	10	—
3565	3445	1-1/4"	—	10	—
3566	3446	1-1/2"	—	5	—
3568	3448	2"	—	5	—

\* 1/2" Trade size hub

\*\* Operating Temperature – Due to the limiting factors of nylon, metallic liquidtight flexible conduit fittings will continuously perform in the range of -40°F to +225°F (-40°C to +107°C)

SEE END OF SECTION (PG B108) FOR DETAILED DRAWINGS >>



## 90° CONNECTORS



**Insulated  
Steel/Malleable Iron**



**Uninsulated  
Steel/Malleable Iron**

INSULATED CATALOG #	UNINSULATED CATALOG #	TRADE SIZE	UNIT CARTON QTY.	SHIP CARTON QTY.	BAR CODE
<b>90° Insulated and Uninsulated – Steel/Malleable Iron</b>					
3541RAC*	3421*	3/8"	25	100	—
—	3421-8*	3/8"	1	15	
3542	3422	1/2"	25	100	—
3542-8	3422-8	1/2"	1	15	
3543	3423	3/4"	25	100	—
3543-8	3423-8	3/4"	1	10	
3544	3424	1"	—	10	—
3544-8	3424-8	1"	1	5	
3545	3425	1-1/4"	—	10	—
—	3425-8	1-1/4"	1	3	
3546	3426	1-1/2"	—	5	—
—	3426-8	1-1/2"	1	3	
3548	3428	2"	—	5	—
3550	3430	2-1/2"	—	1	—
3552	3432	3"	—	1	—
3556	3436	4"	—	1	—

\* 1/2" Trade size hub

\*\* Operating Temperature – Due to the limiting factors of nylon, metallic liquidtight flexible conduit fittings will continuously perform in the range of -40°F to +225°F (-40°C to +107°C)

### APPLICATIONS

- For use in outdoor or indoor locations on flexible metallic liquidtight conduit and Type B flexible nonmetallic liquidtight conduit
- Use to positively bond the conduit to a box or enclosure
- RACO® liquidtight connectors are suitable for use in Class I, Div 2; Class II, Div 1 & 2; and Class III, Div 1 & 2 hazardous locations

### PRODUCT FEATURES

- Unique split-gland ring is designed to slip onto the conduit quickly gripping the jacket of the conduit, speeding installation, assuring a perfect seal, and preventing pullouts
- All components are reusable - RACO® liquidtight connectors may be easily disassembled and reused after years of service
- Sealing washer (included) provides a liquidtight seal when terminating the connector in a threadless opening
- Heavy duty locknut included with every RACO® liquidtight connector assures continuity of ground
- All steel/iron components are zinc-electroplated for added corrosion protection
- UPC bar coded fittings are individually polybagged with a preprinted UPC-A bar code and packaged in pre-scored tear top cartons for an attractive presentation

### BODIES – 90°

- Malleable Iron - 3/8" to 4"

### NUTS – 90°

- Steel - 3/8" to 1"
- Malleable Iron - 1-1/4" to 4"

### COMPLIANCES

- - Standard 514B  
UL LISTED E195969
- - C22.2 #18



## LIQUIDTIGHT CONDUIT AND CORD CONNECTORS

### STRAIGHT CONNECTORS



**Insulated  
Die-Cast Zinc**



**Uninsulated  
Die-Cast Zinc**

#### APPLICATIONS

- For use in outdoor or indoor locations on flexible metallic liquidtight conduit and Type B flexible nonmetallic liquidtight conduit
- Use to positively bond the conduit to a box or enclosure

#### PRODUCT FEATURES

- Unique split-glandring is designed to slip onto the conduit quickly and to grip the jacket of the conduit, speeding installation, assuring a perfect seal, and preventing pullouts
- All components are reusable - RACO® liquid-tight connectors may be easily disassembled and reused after years of service
- Sealing washer (included) provides a liquid-tight seal when terminating the connector in a threadless opening
- Heavy duty locknut included with every RACO® liquidtight connector assures continuity of ground

#### COMPLIANCE

- Conduit Fittings  
3HNN

INSULATED CATALOG #	UNINSULATED CATALOG #	TRADE SIZE	UNIT CARTON QTY.	SHIP CARTON QTY.	BAR CODE	METRIC DESIGNATOR	TIGHTENING TORQUE	
							N-m	(lbf-in)
<b>Straight - Insulated and Uninsulated – Die-Cast Zinc</b>								
3511DC*	3401DC*	3/8"	50	200	—	12	22.6b	200
3512DC	3402DC	1/2"	50	200	—	16	33.9	300
3513DC	3403DC	3/4"	25	100	—	21	56.5	500
3514DC	3404DC	1"	—	10	—	27	79.1	700
3515DC	3405DC	1-1/4"	—	10	—	35	113	1000
3516DC	3406DC	1-1/2"	—	5	—	41	136	1200
3518DC	3408DC	2"	—	5	—	53	181	1600
3520DC	—	2-1/2"	—	1	—	63	181	1600
3522DC	—	3"	—	1	—	78	181	1600
3524DC	—	3-1/2"	—	1	—	91	181	1600
3526DC	—	4"	—	1	—	103	181	1600

### 90° CONNECTORS



**Insulated  
Die-Cast Zinc**



**Uninsulated  
Die-Cast Zinc**

INSULATED CATALOG #	UNINSULATED CATALOG #	TRADE SIZE	UNIT CARTON QTY.	SHIP CARTON QTY.	BAR CODE	METRIC DESIGNATOR	TIGHTENING TORQUE	
							N-m	(lbf-in)
<b>90° Insulated and Uninsulated – Die Cast Zinc</b>								
3541DC*	3421DC*	3/8"	25	100	—	12	22.6b	200
3542DC	3422DC	1/2"	25	100	—	16	33.9	300
3543DC	3423DC	3/4"	25	100	—	21	56.5	500
3544DC	3424DC	1"	—	10	—	27	79.1	700
3545DC	3425DC	1-1/4"	—	10	—	35	113	1000
3546DC	3426DC	1-1/2"	—	5	—	41	136	1200
3548DC	3428DC	2"	—	5	—	53	181	1600
3550DC	—	2-1/2"	—	1	—	63	181	1600
3552DC	—	3"	—	1	—	78	181	1600
3554DC	—	3-1/2"	—	1	—	91	181	1600
3556DC	—	4"	—	1	—	103	181	1600

\* 1/2" Trade size hub

b A 3/8 (12) trade-size fitting for use with liquid-tight flexible metal conduit shall be tightened with a torque of 26.5 N-m (235 lbf-in).

SEE END OF SECTION (PG B113) FOR DETAILED DRAWINGS >>



### STRAIGHT, GROUNDING TYPE CONNECTORS



**Insulated w/Ground Lug  
Steel/Malleable Iron**

CATALOG #	TRADE SIZE	UNIT CARTON QTY.	SHIP CARTON QTY.	GROUNDING WIRE CAPACITY		BAR CODE
				MINIMUM	MAXIMUM	
<b>Straight - Insulated with Ground Lug – Steel/Malleable Iron</b>						
3511-3*	3/8"	—	25	#14 SOL.	#4 STR.	—
3512-3	1/2"	—	25	#14 SOL.	#4 STR.	—
3513-3	3/4"	—	25	#14 SOL.	#4 STR.	—
3514-3	1"	—	10	#14 SOL.	#4 STR.	—
3515-3	1-1/4"	—	10	#14 SOL.	#4 STR.	—
3516-3	1-1/2"	—	5	#14 SOL.	#4 STR.	—
3518-3	2"	—	5	#14 SOL.	#4 STR.	—
3520-3	2-1/2"	—	1	#14 SOL.	#1/0 STR.	—
3522-3	3"	—	1	#14 SOL.	#1/0 STR.	—
3524-3	3-1/2"	—	1	#6 STR.	#250 MCM	—
3526-3	4"	—	1	#6 STR.	#250 MCM	—

\* 1/2" Trade size hub

#### APPLICATIONS

- For use in outdoor or indoor locations on flexible metallic liquidtight conduit, when installation of a copper or aluminum external bonding jumper is required
- RACO® grounding liquidtight connectors are suitable for use in Class I, Div 2; Class II, Div 1 & 2; and Class III, Div 1 & 2 hazardous locations

#### PRODUCT FEATURES

- Unique split-gland ring is designed to slip onto the conduit quickly gripping the jacket of the conduit, speeding installation, assuring a perfect seal, and preventing pullouts
- All components are reusable - RACO® liquidtight connectors may be easily disassembled and reused after years of service
- Sealing washer (included) provides a liquidtight seal when terminating the connector in a threadless opening
- Heavy duty locknut included with every RACO® liquidtight connector assures continuity of ground
- All metallic components are zinc-electroplated for added corrosion protection

#### BODIES

- 3/8" to 1" Steel, 1-1/4" to 4" Malleable Iron

#### NUTS

- 3/8" to 1" Steel, 1-1/4" to 4" Malleable Iron

#### COMPLIANCES

- - Standard 514B  
UL LISTED E195969
- - C22.2 #18





## LIQUIDTIGHT CONDUIT AND CORD CONNECTORS

### 45° INSULATED CONNECTOR, GROUNDING TYPE



**Insulated w/Ground Lug  
Steel/Malleable Iron**

#### APPLICATIONS

- For use in outdoor or indoor locations on flexible metallic liquidtight conduit, when installation of a copper or aluminum external bonding jumper is required
- RACO® grounding liquidtight connectors are suitable for use in Class I, Div 2; Class II, Div 1 & 2; and Class III, Div 1 & 2 hazardous locations

#### PRODUCT FEATURES

- Split-glandring is designed to slip onto the conduit quickly and to grip the jacket of the conduit, speeding installation, assuring a perfect seal, and preventing pullouts
- Malleable iron castings mate with other components perfectly without strain or distortion
- All components are reusable - RACO® liquidtight connectors may be easily disassembled and reused after years of service
- Sealing washer (included) provides a liquidtight seal when terminating the connector in a threadless opening
- Heavy duty locknut included with every RACO® liquidtight connector assures continuity of ground
- All metallic components are zinc-electroplated for added corrosion protection

#### BODIES

- 3/8" to 2" Malleable Iron

#### NUTS

- 3/8" to 1" Steel, 1-1/4" to 2" Malleable Iron

#### COMPLIANCES

- - Standard 514B  
UL LISTED E195969
- - C22.2 #18

CATALOG #	TRADE SIZE	UNIT CARTON QTY.	SHIP CARTON QTY.	GROUNDING WIRE CAPACITY		BAR CODE
				MINIMUM	MAXIMUM	
<b>45° - Insulated with Ground Lug – Steel/Malleable Iron</b>						
3561-3*	3/8"	—	25	#14 SOL.	#4 STR.	—
3562-3	1/2"	—	25	#14 SOL.	#4 STR.	—
3563-3	3/4"	—	25	#14 SOL.	#4 STR.	—
3564-3	1"	—	10	#14 SOL.	#4 STR.	—
3565-3	1-1/4"	—	10	#14 SOL.	#4 STR.	—
3566-3	1-1/2"	—	5	#14 SOL.	#4 STR.	—
3568-3	2"	—	5	#14 SOL.	#4 STR.	—

\* 1/2" Trade size hub

SEE END OF SECTION (PG B110) FOR DETAILED DRAWINGS >>



### 90° INSULATED CONNECTOR, GROUNDING TYPE



**Insulated w/Ground Lug  
Steel/Malleable Iron**

CATALOG #	TRADE SIZE	UNIT CARTON QTY.	SHIP CARTON QTY.	GROUNDING WIRE CAPACITY		BAR CODE
				MINIMUM	MAXIMUM	
<b>90° - Insulated with Ground Lug – Steel/Malleable Iron</b>						
3541-3*	3/8"	—	25	#14 SOL.	#4 STR.	—
3542-3	1/2"	—	25	#14 SOL.	#4 STR.	—
3543-3	3/4"	—	25	#14 SOL.	#4 STR.	—
3544-3	1"	—	10	#14 SOL.	#4 STR.	—
3545-3	1-1/4"	—	10	#14 SOL.	#4 STR.	—
3546-3	1-1/2"	—	5	#14 SOL.	#4 STR.	—
3548-3	2"	—	5	#14 SOL.	#4 STR.	—
3550-3	2-1/2"	—	1	#14 SOL.	#1/0 STR.	—
3552-3	3"	—	1	#14 SOL.	#1/0 STR.	—
3556-3	4"	—	1	#6 STR.	#250 MCM	—

\* 1/2" Trade size hub

#### APPLICATIONS

- For use in outdoor or indoor locations on flexible metallic liquidtight conduit, when installation of a copper or aluminum external bonding jumper is required
- RACO® grounding liquidtight connectors are suitable for use in Class I, Div 2; Class II, Div 1 & 2; and Class III, Div 1 & 2 hazardous locations

#### PRODUCT FEATURES

- Split-gland ring is designed to slip onto the conduit quickly gripping the jacket of the conduit, speeding installation, assuring a perfect seal, and preventing pullouts
- Malleable iron castings mate with other components perfectly without strain or distortion
- All components are reusable - RACO® liquidtight connectors may be easily disassembled and reused after years of service
- Sealing washer (included) provides a liquidtight seal when terminating the connector in a threadless opening
- Heavy duty locknut included with every RACO® liquidtight connector assures continuity of ground
- All metallic components are zinc-electroplated for added corrosion protection

#### BODIES

- 3/8" to 4" Malleable Iron

#### NUTS

- 3/8" to 1" Steel, 1-1/4" to 4" Malleable Iron

#### COMPLIANCE

- US  
UL LISTED E195969


**SEALING WASHERS - STEEL**

**Sealing Washers\***
**APPLICATIONS**

- For use whenever a positive seal is required between the shoulder of a fitting and an enclosure

**PRODUCT FEATURES**

- One piece construction assures proper installation - no need to worry about aligning multiple components
- Steel ring is zinc-electroplated for added corrosion protection
- UPC bar coded fittings are individually polybagged with a preprinted UPC-A bar code and packaged in pre-scored tear top cartons for an attractive presentation

**COMPLIANCES**

- - Standard 514B  
UL LISTED E195973
- - C22.2 #18

CATALOG #	TRADE SIZE	UNIT CARTON QTY.	SHIP CARTON QTY.	BAR CODE
<b>One Hole Push-on Straps - Stamped Steel</b>				
2452	1/2"	—	100	—
2452-8	1/2"	—	20 bags of 2	
2453	3/4"	—	50	—
2453-8	3/4"	—	20 bags of 2	
2454	1"	—	25	—
2454-8	1"	—	10 bags of 2	
2455	1-1/4"	—	25	—
2456	1-1/2"	—	25	—
2458	2"	—	25	—

\* One-piece steel ring and neoprene gasket, raintight  
Temperature rating: -20°F to +212°F

**TYPE B CONNECTORS FOR TYPE B NONMETALLIC CONDUIT - NONMETALLIC**

**Straight Connectors  
Nylon - for Type B Conduit**

CATALOG #	TRADE SIZE	UNIT CARTON QTY.	SHIP CARTON QTY.	BAR CODE
<b>Straight Connectors - Nylon</b>				
4721*	3/8"	—	25	—
4722	1/2"	—	25	—
4722-8	1/2"	1	20	
4723	3/4"	—	25	—
4723-8	3/4"	1	15	
4724	1"	—	10	—
4724-8	1"	1	10	
4725	1-1/4"	—	10	—
4726	1-1/2"	—	5	—
4728	2"	—	5	—

\* 1/2" Trade size hub


**SWIVEL-LOK Straight Position**

**SWIVEL-LOK 90° Position**

CATALOG #	TRADE SIZE	UNIT CARTON QTY.	SHIP CARTON QTY.	BAR CODE
<b>SWIVEL-LOK Multiposition Connectors - Nylon for Type B Conduit</b>				
4731*	3/8"	—	25	—
4732	1/2"	—	25	—
4732-8	1/2"	1	20	
4733	3/4"	—	25	—
4733-8	3/4"	1	15	
4734	1"	—	10	—
4734-8	1"	1	10	

**APPLICATIONS**

- For use in dry or wet locations when the conduit and fittings are not subject to physical damage
- Use Type B conduit and fittings whenever flexibility is required for installation, operation, or maintenance

**PRODUCT FEATURES**

- All gray nonmetallic construction provides superior corrosion resistance
- Each connector is supplied with a Neoprene O-ring and nylon gasket
- SWIVEL-LOK, multi-position connector (trade sizes 3/8" to 1") twists from 0° to 90°, easing installation in difficult locations and eliminating need to stock other angle connectors
- UPC bar coded fittings are individually polybagged with a preprinted UPC-A bar code and packaged in pre-scored tear top cartons for an attractive presentation

**COMPLIANCES**

- - Standard 514B
- - C22.2 #18
- NEMA Type 4x, 12 and 13



CONNECTORS FOR EXTRA FLEXIBLE TUBING - NONMETALLIC



**Straight Connectors**  
Nylon - for Extra Flexible Tubing

**APPLICATIONS**

- For use in dry or wet locations when the conduit and fittings are not subject to physical damage
- Use extra flexible tubing and connectors whenever added flexibility is required for installation, operation, or maintenance

**PRODUCT FEATURES**

- All black nonmetallic construction ends metal fatigue and separation problems and provides superior corrosion resistance
- Each connector is supplied with a Neoprene O-ring and nylon gasket
- SWIVEL-LOK, multiposition connector (trade sizes 3/8" to 1") twists from 0° to 90°, easing installation in difficult locations and eliminating need to stock other angle connectors

**COMPLIANCES**

- - Standard 514B
- - C22.2 #18
- NEMA Type 4x, 12 and 13

CATALOG #	TRADE SIZE	UNIT CARTON QTY.	SHIP CARTON QTY.	BAR CODE
<b>Straight Connectors - Nylon</b>				
4741*	3/8"	—	25	—
4742	1/2"	—	25	—
4743	3/4"	—	25	—
4744	1"	—	10	—
4745	1-1/4"	—	10	—
4746	1-1/2"	—	5	—
4748	2"	—	5	—

\* 1/2" Trade size hub



**SWIVEL-LOK Straight Position**  
Nylon - for Extra Flexible Tubing



**SWIVEL-LOK 90° Position**  
Nylon - for Extra Flexible Tubing

CATALOG #	TRADE SIZE	UNIT CARTON QTY.	SHIP CARTON QTY.	BAR CODE
<b>SWIVEL-LOK Multiposition Connectors - Nylon for Extra Flexible Tubing</b>				
4751*	3/8"	—	25	—
4752	1/2"	—	25	—
4753	3/4"	—	25	—
4754	1"	—	10	—

\* 1/2" Trade size hub

SEE END OF SECTION (PG B111) FOR DETAILED DRAWINGS >>





**STRAIN RELIEF CORD CONNECTORS - STEEL/MALLEABLE IRON**

**Straight Connectors**

CATALOG #	CABLE RANGE INCHES	UNIT CARTON QTY.	SHIP CARTON QTY.	BAR CODE
<b>Straight Connectors - Steel/Malleable Iron</b>				
<i>1/2" Hubs - Form 1</i>				
3702-1	.125 - .250	—	25	—
3702-2	.250 - .375	—	25	—
3782-2	.250 - .375	1	15	
3702-3	.375 - .425	—	25	—
3702-4	.425 - .500	—	25	—
<i>1/2" Hubs - Form 2</i>				
3702-5	.375 - .500	—	25	—
3782-5	.375 - .500	1	15	
3702-6	.500 - .600	—	25	—
3782-6	.500 - .600	1	15	
<i>3/4" Hubs - Form 3</i>				
3703-1	.250 - .375	—	25	—
3703-2	.375 - .500	—	25	—
3703-3	.500 - .600	—	25	—
3703-4	.600 - .700	—	25	—
3703-6	.650 - .700	—	25	—
3703-5	.700 - .850	—	25	—
<i>1" Hubs - Form 4</i>				
3704-1	.600 - .700	—	25	—
3704-2	.700 - .850	—	25	—
3704-3	.850 - 1.000	—	25	—
<i>1-1/4" Hubs - Form 5</i>				
3705-1	.850 - 1.000	—	25	—
3705-2	1.000 - 1.250	—	25	—
3705-3	1.250 - 1.400	—	25	—
<i>1-1/2" Hubs - Form 6</i>				
3706-1	1.000 - 1.250	—	10	—
3706-2	1.250 - 1.400	—	10	—

**APPLICATIONS**

- For use in dry or wet locations to provide a liquidtight and strain relief termination for flexible cord and cable
- RACO® liquidtight strain relief cord connectors are suitable for use in Class I, Div 2; Class II, Div 1 & 2; and Class III, Div 1 & 2 hazardous locations

**PRODUCT FEATURES**

- All steel/malleable construction provides mechanical strength
- Unique Neoprene grommet design - grommet is forced up and around the cord when the nut is tightened for a positive liquidtight seal
- Washers have size range imprinted for identification - eliminates misidentifying inventory
- Use RACO® locknuts and sealing washers to complete a liquidtight installation on a sheet metal box or panel
- All metallic components are zinc-electroplated for corrosion protection
- UPC bar coded fittings are individually polybagged with a preprinted UPC-A bar code and packaged in pre-scored tear top cartons for attractive presentation

**BODIES**

- 3/8" to 1" Steel, 1-1/4" to 1-1/2" Malleable Iron

**NUTS**

- 3/8" to 1" Steel, 1-1/4" to 1-1/2" Malleable Iron

**COMPLIANCE**

- UL FILE E195973



### COLOR-CODED CORD GRIP CONNECTORS



**Straight Connectors**

#### APPLICATIONS

- For use in wet or dry locations to provide a liquidtight and strain relief termination for flexible cord and cable. RACO® liquidtight strain relief cord connectors are suitable for use in Class I, Div. 2, Class II, Div. 1 and 2; Class III, Div. 1 and 2 hazardous locations.

#### PRODUCT FEATURES

- Straight connectors are available in steel; 45° and 90° connectors available in malleable iron
- Neoprene grommets are color-coded by cable diameter allowing for quick and easy identification
- Steel and malleable iron construction provides mechanical strength and durability
- Metallic components are zinc-electroplated for corrosion protection
- Unique grommet design is forced up and around the cord when the nut is tightened creating a liquidtight seal
- Time saving and easy installation - no need to disassemble the fitting for cord installation
- Male tapered thread NPT

#### COMPLIANCE

- cUL<sub>us</sub> LISTED E195973
- NEMA 4

CATALOG #	TRADE SIZE	GROMMET COLOR	CABLE RANGE (IN.)	SHIP CTN. QTY.	BARCODE
<b>Straight Connectors</b>					
3722-0	1/2"	Red	.15-.25	25	
3722-1	1/2"	White	.25-.35	25	
3722-2	1/2"	Blue	.35-.45	25	
3722-3	1/2"	Green	.45-.56	25	
3722-4	1/2"	Brown	.55-.65	25	
3723-0	3/4"	Red	.15-.25	25	
3723-1	3/4"	White	.25-.35	25	
3723-2	3/4"	Blue	.35-.45	25	
3723-3	3/4"	Green	.45-.56	25	
3723-4	3/4"	Brown	.55-.65	25	
3723-6	3/4"	Yellow	.65-.75	25	
3723-5	3/4"	Purple	.75-.85	25	
3724-0	1"	Green	.45-.56	25	
3724-1	1"	Brown	.55-.65	25	
3724-5	1"	Yellow	.65-.75	25	
3724-2	1"	Purple	.75-.85	25	
3724-3	1"	Gray	.85-.95	25	
3724-4	1"	Black	.95-1.05	25	
3725-0	1-1/4"	Purple	.75-.85	25	
3725-1	1-1/4"	Gray	.85-.95	25	
3725-2	1-1/4"	Black	.95-1.05	25	
3725-4	1-1/4"	Orange	1.05-1.15	25	
3725-5	1-1/4"	Red	1.15-1.25	25	
3725-3	1-1/4"	White	1.25-1.375	25	
3726-0	1-1/2"	Black	.95-1.05	25	
3726-1	1-1/2"	Orange	1.05-1.15	25	
3726-2	1-1/2"	Red	1.15-1.25	10	
3726-3	1-1/2"	White	1.25-1.375	10	

SEE END OF SECTION (PG B115) FOR DETAILED DRAWINGS >>



**COLOR-CODED CORD GRIP CONNECTORS**

**90° Connectors**

**45° Connectors**

CATALOG #	TRADE SIZE	GROMMET COLOR	CABLE RANGE (IN.)	SHIP CTN. QTY.	BARCODE
<b>90° Connectors</b>					
3794-0	1/2"	Red	.15 -.25	25	
3794-1	1/2"	White	.25 -.35	25	
3794-2	1/2"	Blue	.35 -.45	25	
3794-3	1/2"	Green	.45 -.56	25	
3794-4	1/2"	Brown	.55 -.65	25	
3795-0	3/4"	Red	.15 -.25	10	
3795-1	3/4"	White	.25 -.35	10	
3795-2	3/4"	Blue	.35 -.45	10	
3795-3	3/4"	Green	.45 -.56	10	
3795-4	3/4"	Brown	.55 -.65	10	
3795-5	3/4"	Yellow	.65 -.75	10	
3795-6	3/4"	Purple	.75 -.85	10	
3796-0	1"	Green	.45 -.56	10	
3796-1	1"	Brown	.55 -.65	10	
3796-2	1"	Yellow	.65 -.75	10	
3796-3	1"	Purple	.75 -.85	10	
3796-4	1"	Gray	.85 -.95	10	
3796-5	1"	Black	.95 -1.05	10	
<b>45° Connectors</b>					
3745-0	1/2"	Red	.15 -.25	25	
3745-1	1/2"	White	.25 -.35	25	
3745-2	1/2"	Blue	.35 -.45	25	
3745-3	1/2"	Green	.45 -.56	25	
3745-4	1/2"	Brown	.55 -.65	25	
3746-0	3/4"	Red	.15 -.25	10	
3746-1	3/4"	White	.25 -.35	10	
3746-2	3/4"	Blue	.35 -.45	10	
3746-3	3/4"	Green	.45 -.56	10	
3746-4	3/4"	Brown	.55 -.65	10	
3746-5	3/4"	Yellow	.65 -.75	10	
3746-6	3/4"	Purple	.75 -.85	10	
3747-0	1"	Green	.45 -.56	10	
3747-1	1"	Brown	.55 -.65	10	
3747-2	1"	Yellow	.65 -.75	10	
3747-3	1"	Purple	.75 -.85	10	
3747-4	1"	Gray	.85 -.95	10	
3747-5	1"	Black	.95 -1.05	10	

**APPLICATIONS**

- For use in wet or dry locations to provide a liquidtight and strain relief termination for flexible cord and cable. RACO® liquidtight strain relief cord connectors are suitable for use in Class I, Div. 2, Class II, Div. 1 and 2; Class III, Div. 1 and 2 hazardous locations.

**PRODUCT FEATURES**

- Straight connectors are available in steel; 45° and 90° connectors available in malleable iron
- Neoprene grommets are color-coded by cable diameter allowing for quick and easy identification
- Steel and malleable iron construction provides mechanical strength and durability
- Metallic components are zinc-electroplated for corrosion protection
- Unique grommet design is forced up and around the cord when the nut is tightened creating a liquidtight seal
- Time saving and easy installation - no need to disassemble the fitting for cord installation
- Male tapered thread NPT

**COMPLIANCE**

- cULus LISTED E195973
- NEMA 4

SEE END OF SECTION (PG B115 AND B116) FOR DETAILED DRAWINGS &gt;&gt;



## LIQUIDTIGHT CONDUIT AND CORD CONNECTORS

### 90° STRAIN RELIEF CORD CONNECTORS - STEEL/MALLEABLE IRON



#### 90° Connectors

#### APPLICATIONS

- For use in dry or wet locations to provide a liquidtight and strain relief termination for flexible cord and cable
- RACO® liquidtight strain relief cord connectors are suitable for use in Class I, Div 2; Class II, Div 1 & 2; and Class III, Div 1 & 2 hazardous locations

#### PRODUCT FEATURES

- All steel/malleable construction provides mechanical strength
- Unique Neoprene grommet design - grommet is forced up and around the cord when the nut is tightened for a positive liquidtight seal
- Washers have size range imprinted for identification - eliminates misidentifying inventory
- Use RACO® locknuts and sealing washers to complete a liquidtight installation on a sheet metal box or panel
- All metallic components are zinc-electroplated for corrosion protection

#### BODIES

- 1/2" to 3/4" Malleable Iron

#### NUTS

- 1/2" to 3/4" Steel

#### COMPLIANCE

-  UL FILE E195973

CATALOG #	CABLE RANGE INCHES	UNIT CARTON QTY.	SHIP CARTON QTY.	BAR CODE
<b>90° Connectors - Malleable Iron</b>				
<i>1/2" Hubs - Form 1</i>				
3792-1	.125 - .250	—	25	—
3792-2	.250 - .375	—	25	—
3792-3	.375 - .425	1	25	—
3792-4	.425 - .500	—	25	—
<i>1/2" Hubs - Form 2</i>				
3792-5	.375 - .500	—	25	—
3792-6	.500 - .600	1	25	—
<i>3/4" Hubs - Form 3</i>				
3793-1	.250 - .375	—	10	—
3793-2	.375 - .500	—	10	—
3793-3	.500 - .600	—	10	—
3793-4	.600 - .650	—	10	—
3793-6	.650 - .700	—	10	—
3793-5	.700 - .850	—	10	—

SEE END OF SECTION (PG B112) FOR DETAILED DRAWINGS >>



**STRAIN RELIEF CORD CONNECTORS - NONMETALLIC**

**Straight Connectors  
Nylon**

CATALOG #	CABLE RANGE INCHES	UNIT CARTON QTY.	SHIP CARTON QTY.	BAR CODE
<b>Straight Connectors - Nylon</b>				
<i>1/4" Hubs - Form 1</i>				
4699-5	.312 - .375	—	25	—
<i>3/8" Hubs - Form 1</i>				
4700-5	.312 - .375	—	25	—
4700-6	.375 - .437	1	25	—
<i>1/2" Hubs - Form 2</i>				
4702-1	.062 - .125	—	25	—
4702-3	.187 - .250	—	25	—
4702-4	.250 - .375	—	25	—
4702-5	.375 - .500	—	25	—
4702-6	.500 - .625	—	25	—
<i>3/4" Hubs - Form 3</i>				
4703-1	.375 - .500	—	15	—
4703-2	.500 - .625	—	15	—
4703-3	.625 - .750	—	15	—
4703-4	.750 - .875	—	15	—
<i>1" Hubs - Form 4</i>				
4704-3	.625 - .750	—	10	—
4704-5	.875 - 1.000	—	10	—
4704-6	1.000 - 1.125	—	10	—

**APPLICATIONS**

- For use in dry or wet locations to provide a liquidtight and strain relief termination for flexible cord and cable
- RACO® liquidtight strain relief cord connectors are suitable for use in Class I, Div 2; Class II, Div 1 & 2; and Class III, Div 1 & 2 hazardous locations

**PRODUCT FEATURES**

- Nylon construction is lightweight and easy to use
- Neoprene grommet
- Resists most common industrial corrosives
- Color-coded gotcha ring provides fast identification of cord size

DIA. RANGE INCHES	COLOR CODE
.062 - .125	Green
.187 - .250	Red
.250 - .312	Black
.312 - .375	White
.250 - .375	White
.375 - .437	Blue
.375 - .500	Blue
.500 - .625	Brown
.625 - .750	Yellow
.750 - .875	Purple
.875 - 1.000	Gray
1.000 - 1.125	Pink

**COMPLIANCES**

- - Standard 514B
- - C22.2 #18





## LIQUIDTIGHT CONDUIT AND CORD CONNECTORS

### STRAIGHT STRAIN RELIEF CORD CONNECTORS - ALUMINUM



**Straight Connectors**

#### APPLICATIONS

- For use in dry or wet locations to provide a liquidtight and strain relief termination for flexible cord and cable
- Aluminum liquidtight strain relief cord connectors are suitable for use in Class I, Div 2; Class II, Div 1 & 2; and Class III, Div 1 & 2 hazardous locations

#### PRODUCT FEATURES

- Aluminum construction provides a corrosion resistant installation
- Unique gotcha ring incorporates a split hinge design to prevent friction and to provide strain relief
- Neoprene grommet
- Knurled compression nut allows the fittings to be hand tightened to UL requirements
- Gotcha ring is color-coded for sizing identification

DIAMETER RANGE	COLOR CODE
.062 - .125	Green
.125 - .187	Orange
.187 - .250	Red
.250 - .312	Black
.312 - .375	White
.250 - .375	White
.375 - .437	Blue
.375 - .500	Blue
.500 - .625	Brown
.625 - .750	Yellow
.750 - .875	Purple
.875 - 1.000	Gray
1.000 - 1.125	Pink

#### COMPLIANCES

- - Standard 514B
- - C22.2 #18

CATALOG #	CABLE RANGE INCHES	UNIT CARTON QTY.	SHIP CARTON QTY.	BAR CODE
<b>Straight Connectors - Aluminum</b>				
<i>1/2" Hubs - Form 1</i>				
4801-2	.187 - .250	—	25	—
4801-3	.250 - .312	—	25	—
4801-4	.312 - .375	—	25	—
4801-5	.375 - .437	—	25	—
<i>1/2" Hubs - Form 2</i>				
4801-0	.062 - .125	—	25	—
4801-1	.125 - .187	—	25	—
4802-4	.375 - .500	—	25	—
4802-5	.500 - .625	—	25	—
<i>1/2" Hubs - Form 3</i>				
4802-8	.625 - .750	—	15	—
4802-9	.750 - .875	—	15	—
<i>3/4" Hubs - Form 2</i>				
4803-2	.187 - .250	—	25	—
4803-3	.250 - .375	—	25	—
4803-4	.375 - .500	—	25	—
4803-5	.500 - .625	—	25	—
<i>3/4" Hubs - Form 3</i>				
4803-8	.625 - .750	—	15	—
4803-9	.750 - .875	—	15	—
<i>1" Hubs - Form 4</i>				
4804-0	.375 - .500	—	10	—
4804-1	.500 - .625	—	10	—
4804-2	.625 - .750	—	10	—
4804-3	.750 - .875	—	10	—
4804-4	.875 - 1.000	—	10	—
4804-5	1.000 - 1.250	—	10	—

SEE END OF SECTION (PG B112) FOR DETAILED DRAWINGS >>




**STRAIGHT SQUEEZE CONNECTORS - MALLEABLE IRON**

**Straight Squeeze Connectors  
Insulated**

**Straight Squeeze Connectors  
Uninsulated**

CATALOG #	TRADE SIZE	UNIT CARTON QTY.	SHIP CARTON QTY.	BAR CODE
<b>Straight Squeeze Connectors, Insulated - Malleable Iron</b>				
3301	3/8"*	—	50	—
3302	1/2"	—	50	—
3302-8	1/2"	1	25	
3303	3/4"	—	25	—
3303-8	3/4"	1	20	
3304	1"	—	25	—
3304-8	1"	1	5	
3305	1-1/4"	—	25	—
3306	1-1/2"	—	25	—
3308	2"	—	10	—
3310	2-1/2"	—	1	—
3312	3"	—	1	—
3314	3-1/2"	—	1	—
3316	4"	—	1	—
<b>Straight Squeeze Connectors, Uninsulated - Malleable Iron</b>				
2101	3/8"*	—	50	—
2102	1/2"	—	50	—
2102-8	1/2"	1	25	
2103	3/4"	—	25	—
2103-8	3/4"	1	20	
2104	1"	—	25	—
2104-8	1"	1	5	
2105	1-1/4"	—	25	—
2106	1-1/2"	—	25	—
2108	2"	—	10	—
2110	2-1/2"	—	5	—
2112	3"	—	5	—
2114	3-1/2"	—	1	—
2116	4"	—	1	—

\* For 1/2" knockout

**APPLICATIONS**

- For use in dry locations to bond flexible metal conduit to a box or enclosure

**PRODUCT FEATURES**

- All malleable construction ensures mechanical protection for the raceway
- Zinc-electroplated for added corrosion protection
- UPC bar coded fittings are individually polybagged with a preprinted UPC-A bar code and packaged in pre-scored tear top cartons for an attractive presentation

**COMPLIANCE**

- UL US  
UL Listed E195969



**DOUBLE BITE SADDLE CONNECTORS - MALLEABLE IRON/STEEL**



**Insulated Straight Connectors**

**90° Insulated Connectors**

**APPLICATIONS**

- Use 3/8" - 1" RACO® Double Bite Saddle Connectors in dry locations to connect flexible metal conduit, MCI, MCI-A and AC cable to a box or enclosure
- Use 1-1/4" to 4" in dry locations to connect flexible metal conduit to a box or enclosure

**PRODUCT FEATURES**

- Straight connectors have all steel construction that ensures mechanical protection for raceways
- Straight connectors available in 3/8" to 4" trade sizes
- 90° connectors have malleable iron and steel construction for added strength
- 90° connectors available in 3/8" to 1" trade sizes
- Dual saddle clamp ensures proper conduit and cable connection for raceway
- Zinc-electroplated for corrosion resistant installation
- Tri-head screw/clamp design - connectors can be installed by using a slotted, Phillips or Robertson head screwdriver
- Insulated throats on all double bite connectors provide maximum wire protection

**COMPLIANCES**

- - Standard 514B  
UL Listed E195966
- NEMA FB-1

INSULATED CATALOG #	UNINSULATED CATALOG #	TRADE SIZE	UNIT CARTON QTY.	SHIP CARTON QTY.	BAR CODE
<b>Straight DOUBLE BITE Saddle Connectors - Steel</b>					
2101DB	3301DB	3/8"	—	50	—
3302DB	—	1/2"	—	25	—
3303DB	—	3/4"	—	10	—
3304DB	—	1"	—	5	—
3305DB	—	1-1/4"	—	5	—
3306DB	—	1-1/2"	—	5	—
3308DB	—	2"	—	1	—
3310DB	—	2-1/2"	—	1	—
3312DB	—	3"	—	1	—
3314DB	—	3-1/2"	—	1	—
3316DB	—	4"	—	1	—
<b>90° DOUBLE BITE Saddle Connectors - Steel/Malleable Iron</b>					
3201DB	—	3/8"	—	50	—
3202DB	—	1/2"	—	25	—
3203DB	—	3/4"	—	10	—
3204DB	—	1"	—	5	—

CABLE RANGE		TRADE SIZE
MAX	MIN	
1.610"	1.150"	1-1/4"
1.950"	1.490"	1-1/2"
2.450"	1.765"	2"
3.060"	2.270"	2-1/2"
3.560"	2.725"	3"
4.060"	3.410"	3-1/2"
4.560"	3.860"	4"



### 90° SQUEEZE CONNECTORS - MALLEABLE IRON



**90° Squeeze Connectors  
Insulated**



**90° Squeeze Connectors  
Uninsulated**

INSULATED CATALOG #	UNINSULATED CATALOG #	TRADE SIZE	UNIT CARTON QTY.	SHIP CARTON QTY.	BAR CODE
<b>90° Squeeze Connector, Insulated and Uninsulated – Malleable Iron</b>					
3201	2201	3/8"*	—	50	—
3202	—	1/2"	—	25	—
—	2202	1/2"	25	100	—
3202-8	2202-8	1/2"	1	25	
3203	2203	3/4"	—	25	—
3203-8	2203-8	3/4"	1	20	
3204	2204	1"	—	25	—
—	2204-8	1"	1	5	
3205	2205	1-1/4"	—	10	—
3206	2206	1-1/2"	—	5	—
3208	2208	2"	—	5	—
3210	2210	2-1/2"	—	1	—
3212	2212	3"	—	1	—
3214	2214	3-1/2"	—	1	—
3216	2216	4"	—	1	—

\* For 1/2" knockout

#### APPLICATIONS

- For use in dry locations to bond flexible metal conduit to a box or enclosure

#### PRODUCT FEATURES

- All malleable construction ensures mechanical protection for the raceway
- Zinc-electroplated for added corrosion protection
- UPC bar coded fittings are individually polybagged with a preprinted UPC-A bar code and packaged in pre-scored tear top cartons for an attractive presentation

#### INSULATED AND UNINSULATED COMPLIANCE

- UL Listed E195969 (excludes 3201)



STRAIGHT SQUEEZE CONNECTORS - DIE-CAST ZINC



**Straight Squeeze Uninsulated**

**APPLICATIONS**

- For use in dry locations to bond flexible metal conduit to a box or enclosure

**PRODUCT FEATURES**

- Rugged metallic construction ensures mechanical protection for the raceway

**COMPLIANCES**

- - Standard 514B  
UL LISTED E195969
- - C22.2 #18 (2191 - 2198)

CATALOG #	TRADE SIZE	UNIT CARTON QTY.	SHIP CARTON QTY.	BAR CODE
<b>Straight Squeeze Connector, Uninsulated – Die-Cast Zinc</b>				
2191	3/8"*	50	500	—
2192	1/2"	25	250	—
2193	3/4"	25	250	—
2194	1"	10	100	—
2195RAC	1-1/4"	10	100	—
2196RAC	1-1/2"	5	50	—
2198	2"	10	40	—

\* For 1/2" knockout

45° AND 90° SQUEEZE CONNECTORS - DIE-CAST ZINC



**45° Squeeze Connectors Uninsulated**



**90° Squeeze Connectors Uninsulated**

**APPLICATIONS**

- For use in dry locations to bond flexible metal conduit to a box or enclosure

**PRODUCT FEATURES**

- Rugged metallic construction ensures mechanical protection for the raceway

**COMPLIANCES**

- - Standard 514B (2691 - 2698)  
UL FILE E195969
- - C22.2 #18 (2691 - 2698)
- - (2221 - 2222)

CATALOG #	TRADE SIZE	UNIT CARTON QTY.	SHIP CARTON QTY.	BAR CODE
<b>45° Squeeze Connector, Uninsulated – Malleable Iron - Die-Cast Zinc</b>				
2221	3/8"*	—	25	—
2222	1/2"	—	25	—
<b>90° Squeeze Connector, Uninsulated – Die-Cast Zinc</b>				
2691	3/8"*	50	500	—
2692	1/2"	25	250	—
2693	3/4"	10	100	—
2694	1"	5	50	—
2695	1-1/4"	10	40	—
2696	1-1/2"	—	5	—
2698	2"	—	5	—

\* For 1/2" knockout

SEE END OF SECTION (PG B119) FOR DETAILED DRAWINGS >>






**SCREW-IN TYPE CONNECTORS AND COUPLINGS - DIE-CAST ZINC**

**Uninsulated Screw-In Connectors**

**Screw-In Couplings**

CATALOG #	TRADE SIZE	UNIT CARTON QTY.	SHIP CARTON QTY.	BAR CODE
<b>Connectors - Screw-in – Die-Cast Zinc</b>				
2281	3/8"*	50	500	—
2282	1/2"	50	500	—
2283	3/4"	25	250	—
<b>Couplings - Screw-in – Die-Cast Zinc</b>				
2272	1/2"	50	500	—
2273	3/4"	25	250	—

\* 1/2" Trade size hub

**APPLICATIONS**

- For use in dry locations to bond flexible metal conduit to a box or enclosure

**PRODUCT FEATURES**

- Rugged metallic construction ensures mechanical protection for the raceway

**COMPLIANCES**

- - Standard 514B  
UL LISTED E195969
- - C22.2 #18

**SET SCREW CONNECTORS - DIE-CAST ZINC**

**2511  
Set Screw Connector**

**2632  
Set Screw Connector**

CATALOG #	TRADE SIZE	UNIT CARTON QTY.	SHIP CARTON QTY.	BAR CODE
<b>Set Screw Connector – Die-Cast Zinc</b>				
2511	3/8"*	100	1000	—
2632	1/2"	25	250	—

\* For 1/2" knockout

**APPLICATIONS**

- For use in dry locations to bond flexible metal conduit to a box or enclosure

**PRODUCT FEATURES**

- Rugged metallic construction ensures mechanical protection for the raceway

**COMPLIANCES**

- - Standard 514B  
UL FILE E195969
- - C22.2 #18


**FLEXIBLE METAL CONDUIT FITTINGS**
**CLAMP TYPE CONNECTORS AND DUPLEX CONNECTORS - DIE-CAST ZINC**

**Clamp Type Connector**

**Duplex Connector**
**APPLICATION**

- For use in dry locations to bond flexible metal conduit to a box or enclosure

**PRODUCT FEATURE**

- Rugged metallic construction ensures mechanical protection for the raceway

**COMPLIANCES**

- - Standard 514B  
UL FILE E195969
- - C22.2 #18

**APPLICATIONS**

- For use when coupling flexible metal conduit to Rigid/IMC conduit
- Use RACO® Cat. Nos. 1552 - 1554 when coupling threaded Rigid/IMC conduit to flexible metal conduit

**PRODUCT FEATURES**

- Rugged metallic construction ensures mechanical protection
- Steel/malleable components are zinc-electroplated for added corrosion protection

**COMPLIANCE**

- UL FILE E195969
- 

**FLEX - EMT APPLICATION**

- For use when coupling flexible metal conduit to EMT conduit

**PRODUCT FEATURES**

- Rugged metallic construction ensures mechanical protection
- Steel/malleable components are zinc-electroplated for added corrosion protection
- UPC bar coded fittings are individually polybagged with a preprinted UPC-A bar code and packaged in pre-scored tear top cartons for an attractive presentation

**COMPLIANCES**

- - Standard 514B
- - C22.2 #18

CATALOG #	TRADE SIZE	UNIT CARTON QTY.	SHIP CARTON QTY.	BAR CODE
<b>Clamp Type Connector – Die-Cast Zinc</b>				
2661	3/8"*	100	1000	—
<b>Duplex Connector – Die-Cast Zinc</b>				
2611	3/8"*	25	250	—

\* For 1/2" knockout

**COMBINATION COUPLINGS - MALLEABLE IRON**

**Flex - Rigid Couplings**

CATALOG #	TRADE SIZE	UNIT CARTON QTY.	SHIP CARTON QTY.	BAR CODE
<b>Flex to Rigid Couplings – Malleable Iron</b>				
1552	1/2"	25	100	—
1553	3/4"	—	25	—
1554	1"	—	25	—


**Flex - EMT Squeeze Couplings**

CATALOG #	FLEX SIZE	EMT SIZE	UNIT CARTON QTY.	SHIP CARTON QTY.	BAR CODE
<b>Flex-EMT Squeeze Couplings – Malleable Iron</b>					
1941	3/8"	1/2"	—	25	—
1942	1/2"	1/2"	—	25	—
1942-8	1/2"	1/2"	1	25	
1943	3/4"	3/4"	—	25	—
1943-8	3/4"	3/4"	1	50	

\* Not UL Listed

SEE END OF SECTION (PG B121) FOR DETAILED DRAWINGS >>


**COMBINATION COUPLINGS - DIE-CAST ZINC**

**Flex - EMT Screw-In/Compression Couplings**

CATALOG #	FLEX SIZE	EMT SIZE	UNIT CARTON QTY.	SHIP CARTON QTY.	BAR CODE
<b>Flex-EMT Couplings, Screw-In/Compression – Die-Cast Zinc</b>					
1482	1/2"	1/2"	50	500	—
1483	3/4"	3/4"	25	250	—
1484	1"	1"	25	250	

**COMBINATION COUPLINGS APPLICATION**

- Use when coupling flexible metal conduit to EMT conduit

**PRODUCT FEATURE**

- Rugged metallic construction ensures mechanical protection

**COMPLIANCES**

- - Standard 514B
- - C22.2 #18

**NAIL-UP STRAPS**

**Nail-Up Straps**

CATALOG #	TRADE SIZE	UNIT CARTON QTY.	SHIP CARTON QTY.	BAR CODE
<b>Nail-Up Straps – Steel</b>				
2252	3/8"*	100	1000	—
2253	1/2"***	100	1000	—
2254	3/4"***	100	1000	—

**NAIL-UP STRAPS APPLICATION**

- For use in mounting flexible metal conduit, armored cable, and MC cable

**PRODUCT FEATURE**

- Stamped steel straps are pre-galvanized for added corrosion protection

**NAIL-UP STRAPS COMPLIANCE**

- 

\* For 3/8" flexible metal conduit. Also suitable for AC and MC cable.  
 \*\* For 1/2" flexible metal conduit. Also suitable for AC and MC cable.  
 \*\*\* For 3/4" flexible metal conduit. Also suitable for AC and MC cable.

**BUSHINGS**

**Anti-short Bushings**

CATALOG #	TRADE SIZE	UNIT CARTON QTY.	SHIP CARTON QTY.	BAR CODE
<b>Nail-Up Straps – Steel</b>				
1440B35	5/16"	35	10 bags of 35	
1441B35	3/8"	35	10 bags of 35	
1447B35	7/16"	35	5 bags of 35	
1442B20	1/2"	20	5 bags of 20	
1443B16	3/4"	16	4 bags of 16	

**ANTI-SHORT BUSHINGS APPLICATION**

- Anti-short bushings are for use with armored cable and flexible metal conduit. The bushings protect the conductors during pulling from sharp cut ends of the conduit.

**PRODUCT FEATURES**

- Easy to use - just insert into the end of the conduit
- Lightweight, one-piece plastic construction resists corrosion
- Economical solution for preventing costly damage

SEE END OF SECTION (PG B122) FOR DETAILED DRAWINGS &gt;&gt;



## ARMORED CABLE CONNECTORS

### UNINSULATED CONNECTORS - DIE-CAST ZINC



**Set Screw Connector**



**Clamp Type Connector**



**Squeeze Type Connector**

#### APPLICATIONS

- For use in dry locations to bond armored cable to a box or enclosure

#### PRODUCT FEATURES

- Rugged metallic construction ensures mechanical protection for the raceway

#### COMPLIANCES

- - Standard 514B  
UL Listed E195969 (excludes 2191)
- - C22.2 #18

CATALOG #	TRADE SIZE	UNIT CARTON QTY.	SHIP CARTON QTY.	BAR CODE
<b>Set Screw Connector – Die-Cast Zinc</b>				
2511 <sup>①</sup>	3/8"	100	1000	—
<b>Clamp Type Connector – Die-Cast Zinc</b>				
2661 <sup>①</sup>	3/8"	100	1000	—
<b>Squeeze Type Connector – Die-Cast Zinc</b>				
2191 <sup>②</sup>	3/8"	50	500	—
2192	1/2"	25	250	—
2193	3/4"	25	250	—
2194	1"	10	100	—

<sup>①</sup> For 1/2" knockout. 1/2" Hub size suitable for use with steel armored cable sizes 2#14, 3#14, 2#12, 3#12, 2#10 and 3#10 all with ground wire.

<sup>②</sup> For 1/2" knockout. Suitable for use with steel armored cable and flexible metal conduit.



### 90° AND DUPLEX CONNECTORS - DIE-CAST ZINC



**90° Squeeze Type Connector  
Uninsulated**



**Duplex Connector**

CATALOG #	TRADE SIZE	UNIT CARTON QTY.	SHIP CARTON QTY.	BAR CODE
<b>90° Squeeze Type Connector, Uninsulated – Die-Cast Zinc</b>				
2691	3/8"*	50	500	—
2692	1/2"	25	250	—
2693	3/4"	10	100	—
<b>Duplex Connector – Die-Cast Zinc</b>				
2611	3/8"*	25	250	—

\* For 1/2" knockout

#### APPLICATIONS

- For use in dry locations to bond armored cable to a box or enclosure

#### PRODUCT FEATURES

- Rugged metallic construction ensures mechanical protection for the raceway

#### COMPLIANCES

- - Standard 514B  
UL Listed E195969
- - C22.2 #18





### BUSHINGS



#### Anti-short Bushings

#### APPLICATIONS

- Anti-short bushings are for use with armored cable and flexible metal conduit. The bushings protect the conductors during pulling from sharp cut ends of the conduit.

#### PRODUCT FEATURES

- Easy to use - just insert into the end of the conduit
- Lightweight, one-piece plastic construction resists corrosion
- Economical solution for preventing costly damage

CATALOG #	TRADE SIZE	UNIT CARTON QTY.	SHIP CARTON QTY.	BAR CODE
<b>Anti-short Bushings – Plastic</b>				
1440B35	5/16"	35	10 bags of 35	
1441B35	3/8"	355	10 bags of 35	
1447B35	7/16"	35	5 bags of 35	
1442B20	1/2"	20	5 bags of 20	
1443B16	3/4"	16	4 bags of 16	

### STRAP - STEEL



#### One Hole Strap

#### APPLICATIONS

- For use when mounting MC and AC cables in dry locations

#### PRODUCT FEATURES

- All steel construction ensures mechanical protection
- Zinc-electroplated for corrosion protection

CATALOG #	TRADE SIZE	UNIT CARTON QTY.	SHIP CARTON QTY.	BAR CODE
<b>One Hole Strap – Steel</b>				
2081	3/8"	100	1000	—

SEE END OF SECTION (PG B107) FOR DETAILED DRAWINGS >>



### PUSH-IN CONNECTORS - STEEL

**NEW!**



3838RAC



4040RAC

CATALOG #	TRADE SIZE	UNIT CARTON QTY.	SHIP CARTON QTY.	BAR CODE
<b>One Hole Strap – Steel</b>				
3838RAC	3/8"	25	250	
40040RAC	3/8"	25	250	

#### APPLICATIONS

- RACO's new Double Barrel *Push-in* cable connectors make it easy to secure two or more metal-clad cable into boxes or enclosures. Simply insert a cable into the cable opening, then snap the box end of the connector into a box knockout, done! No tools needed for a secure assembly. Double Barrel *Push-in* connectors are perfect for new or old work and can be removed and reused.

3838RAC	Cable Type (Steel & Aluminum)	Cable Ranges	Cable Dimensions	
			Steel	Aluminum
MC	14/2 - 10-3		0.460 - 0.611 in.	0.402 - 0.570 in.
MCI-A				
AC/HCF				
MCI-A HCF	12/2 - 10-3		0.460 - 0.611 in.	0.402 - 0.570 in.
MC-PCS (SOLID)	12/2 - 12-3			
RWFMC CONDUIT	3/8" Trade Size Flex Anti Short Bushing Required			

#### PRODUCT FEATURES

- Fits standard 1/2" knockouts in electrical boxes or enclosures
- Both connectors designed to terminate MC, MCI-A, AC, AC/HCF, MCI-A HCF, MC-PCS, RWFMC
- 4040RAC tinted gold inside to indicate larger cable range
- Die-cast zinc construction with nylon anti-short bushing
- For use in dry locations only
- See back for cable size ranges

4040RAC	Cable Type (Steel & Aluminum)	Cable Ranges	Cable Dimensions	
			Steel	Aluminum
MC	14/3 - 10-3		0.460 - 0.611 in.	0.402 - 0.570 in.
MCI-A				
AC				
AC/HCF	14/2 - 10-3		0.460 - 0.611 in.	0.402 - 0.570 in.
MCI-A HCF	12/2 - 10-3			
MC-PCS (SOLID)	12/2 - 12-3			
RWFMC CONDUIT	3/8" Trade Size Flex Anti Short Bushing Required			

SEE END OF SECTION (PG B124) FOR DETAILED DRAWINGS >>



## METAL CLAD CABLE CONNECTORS

### PUSH-IN CONNECTORS - STEEL



38RAC



40RAC

#### APPLICATIONS

- Push-in cable connectors make it easy to secure metal-clad cable into boxes or enclosures. Simply insert a cable into the cable opening, then snap the box end of the connector into a box knockout, done!
- No tools needed for a secure assembly
- Can be removed and reused

#### PRODUCT FEATURES

- Fits standard 1/2" knockouts in electrical boxes or enclosures
- Both connectors designed to terminate MC-PCS, MCI, MCI-A, AC, HCF, and FMC
- 40RAC tinted blue inside to indicate larger cable range
- Die-cast zinc construction with nylon anti-short bushing
- For use in dry locations

#### COMPLIANCE

- us



2801

#### APPLICATIONS

- For use in dry locations to connect MCI, MCI-A (2800 only), AC, and HCF cable into a box or enclosure

#### PRODUCT FEATURES

- Easy to install - just tilt, insert and snap down
- Tri-head screw/clamp design - connector can be installed by using a slotted, Phillips or Robertson head screwdriver
- Integral insuliner provides maximum wire protection
- Durable all steel construction
- Zinc-electroplated for corrosion protection

#### COMPLIANCE

- us LISTED  
UL Listed E195966

CATALOG NUMBER	TRADE SIZE	CABLE SIZE	UNIT CARTON QTY.	SHIP CARTON QTY.	BAR CODE
<b>Push-in Cable Connectors – Steel and Nylon (Bushing)</b>					
38RAC	3/8"	Push-in Connector	50	500	
40RAC	3/8"	Push-in Connector	50	500	

#### 38RAC

CABLE TYPE (Steel & Aluminum)	CABLE RANGES
MC	14/2 - 10/3
MCI-A	
AC/HCF	
MCI-A HCF	12/2 - 10/3
MC-PCS (SOLID)	12/2 - 12/3
RWFMC CONDUIT	<b>3/8" TRADE SIZE FLEX</b> Anti Short Bushing Required

Cable Diameter Range: 0.402" - 0.610"

#### 40RAC

CABLE TYPE (Steel & Aluminum)	CABLE RANGES
MC	14/3 - 10/3
MCI-A	
AC	
AC HCF	14/2 - 10/3
MCI-A HCF	12/2 - 10/3
MC-PCS (SOLID)	12/2 - 12/3
RWFMC CONDUIT	<b>3/8" TRADE SIZE FLEX</b> Anti Short Bushing Required

Cable Diameter Range: 0.470" - 0.610"

### CONNECTORS - SCREW TYPE STEEL

CATALOG #	TRADE SIZE	UNIT CARTON QTY.	SHIP CARTON QTY.	BAR CODE
<b>Cable Connector – Steel</b>				
2800	1/2"	50	500	—
2801	3/4"	25	250	—

#### SELECTION CHART

CABLE TYPE	2800 - 1/2" KO	2801 - 3/4" KO
AC Steel	14-2, 14-3, 14-4, 12-2, 12-3, 12-4, 10-2, 10-3	10-4, 10-5, 8-3, 8-4, 6-3
HCF Steel	14-2, 14-3, 12-2, 12-3, 10-2	—
AC Aluminum	14-2, 14-3, 14-4, 12-2, 12-3, 12-4	10-4, 8-3, 8-4
MCI Steel	14-2, 14-3, 14-4, 12-2, 12-3, 12-4, 10-2	10-3, 10-4, 8-2, 8-3
MCI Aluminum	14-2, 14-3, 14-4, 12-2, 12-3, 12-4, 10-2	10-3, 10-4, 8-2
MC Aluminum	14-3, 14-4, 12-2, 12-3, 12-4, 10-2, 10-3	—
MCI-A Aluminum	12-8, 10-3, 10-4, 10-6	—

SEE END OF SECTION (PG B124) FOR DETAILED DRAWINGS >>



## CLAMP TYPE AND DUPLEX CONNECTORS - DIE-CAST ZINC


**Clamp Type Connector**

**Duplex Connector**

CATALOG #	TRADE SIZE	UNIT CARTON QTY.	SHIP CARTON QTY.	BAR CODE
<b>Clamp Type Cable Connector – Die-Cast Zinc</b>				
2661	3/8"*	100	1000	—
<b>Duplex Cable Connector – Die-Cast Zinc</b>				
2611	3/8"*	25	250	—

\* For 1/2" knockout

**APPLICATIONS**

- For use in dry locations to connect MC/MCI cable to a box or enclosure

**PRODUCT FEATURES**

- Rugged metallic construction ensures mechanical protection for the raceway

**COMPLIANCES**

- - Standard 514B  
UL Listed E195969
- - C22.2 #18

**1/2" HUB SIZE FOR MC CABLE - SELECTION CHART**

CLAMP TYPE - Part No. 2661	DIAMETER
Regular Aluminum Corrugated	.277" - .375"
Aluminum Corrugated	.365" - .510"
Aluminum Smooth	.345" - .525"
Aluminum Interlocked	.455" - .575"
Steel Interlocked	.435" - .547"
DUPLEX - Part No. 2611	DIAMETER
Aluminum Smooth	.410" - .500"
Aluminum Interlocked	.460" - .538"
Steel Interlocked	.438" - .560"

SEE END OF SECTION (PG B125) FOR DETAILED DRAWINGS >>



## METAL CLAD CABLE CONNECTORS

### DOUBLE BITE SADDLE CONNECTORS - MALLEABLE IRON/STEEL



**Straight Connectors  
Insulated**



**90° Connectors  
Insulated**

#### APPLICATIONS

- Use 3/8" - 1" RACO® double bite saddle connectors in dry locations to connect flexible metal conduit, MCI, MCI-A and AC cable to a box or enclosure
- Use 1-1/4" to 4" in dry locations to connect flexible metal conduit to a box or enclosure

#### PRODUCT FEATURES

- Straight connectors have all steel construction that ensures mechanical protection for raceways
- Straight connectors available in 3/8" to 4" trade sizes
- 90° connectors have malleable iron and steel construction for added strength
- 90° connectors available in 3/8" to 1" trade sizes
- Dual saddle clamp ensures proper conduit and cable connection for raceway
- Zinc-electroplated for corrosion resistant installation
- Tri-head screw/clamp design - connectors can be installed by using a slotted, Phillips or Robertson head screwdriver
- Insulated throats on all double bite connectors provide maximum wire protection

#### COMPLIANCES

- - Standard 514B  
UL Listed E195966
- NEMA FB-1

INSULATED CATALOG #	UNINSULATED CATALOG #	TRADE SIZE	UNIT CARTON QTY.	SHIP CARTON QTY.	BAR CODE
<b>Straight DOUBLE BITE Saddle Connectors - Steel</b>					
2101DB	3301DB	3/8"	—	50	—
3302DB	—	1/2"	—	25	—
3303DB	—	3/4"	—	10	—
3304DB	—	1"	—	5	—
3305DB	—	1-1/4"	—	5	—
3306DB	—	1-1/2"	—	5	—
3308DB	—	2"	—	1	—
3310DB	—	2-1/2"	—	1	—
3312DB	—	3"	—	1	—
3314DB	—	3-1/2"	—	1	—
3316DB	—	4"	—	1	—
<b>90° DOUBLE BITE Saddle Connectors - Steel/Malleable Iron</b>					
3201DB	—	3/8"	—	50	—
3202DB	—	1/2"	—	25	—
3203DB	—	3/4"	—	10	—
3204DB	—	1"	—	5	—

		ARMORED CABLES	METAL CLAD CABLES	MCI-A CABLES	FEFMC
		STEEL & ALUMINUM	STEEL & ALUMINUM		
2101DB	3/8"	14-2, 14-3, 14-4, 12-2, 12-3,	14-2, 14-3, 14-4, 12-2, 12-3,	12-2, 12-3, 12-4, 12-6,	
3201DB	3/8"	12-4, 10-2, .450-.660	12-4, 10-2, .450-.660	12-8, 10-3, 10-4,	
3301DB				.400-.590	
3202DB	1/2"	12-4, 10-2, 10-3, 10-4, 8-2,	10-2, 10-3, 10-4, 8-2, 8-3,	12-6, 12-8	
3302DB	1/2"	8-3, 8-4, 6-2, 6-3, .550-.920	.640-.920	.520-.620	
3203DB	3/4"	AL: 8-3, 8-4, 6-2, 6-3, 6-4,	AL: 6-4, 4-3, 3-3, .930-1.075		
3303DB	3/4"	4-2, 4-3, .680-1.075 ST: 6-4, 4-2, 4-3, .930-1.075	ST: 8-3, 8-4, 6-2, 6-3, 6-4, 4-3, 3-3, .730-1.075		
3204DB	1"	6-4, 4-3, 4-4, 3-2, 3-3, 2-3,	6-4, 4-3, 4-4, 3-3, 3-4,		
3304DB	1"	2-4, 1-3, 1-4, .930-1.468	.960-1.468		
3305DB	1-1/4"				1.150-1.610
3306DB	1-1/2"				1.490-1.950
3308DB	2"				1.765-2.450
3310DB	2-1/2"				2.270-3.060
3312DB	3"				2.725-3.560
3314DB	3-1/2"				3.410-4.060
3316DB	4"				3.860-4.560

SEE END OF SECTION (PG B125) FOR DETAILED DRAWINGS >>





### PUSH-IN WIRE CONNECTORS



**4x  
Faster  
Install**

#### APPLICATIONS

- RACO's new code-compliant Shield-IT™ connector is for use in splicing the double jacketed control/signal conductor pairs in MC-PCS cable. The shielding wings provide the necessary separation between power and control conductors inside of the electrical box or enclosure, as per the NEC article 725.136(B) or 725.136(D). Its unique design lends to a quick, safe, and secure installation. Perfect for dimming control, low voltage lighting and smart building applications.

#### PRODUCT FEATURES

- Code saver
- Reduce wiring time by 75%
- Easy to install wires - no twisting, taping, or crimping required
- Splices 16 AWG Solid Copper wire ONLY
- Handy strip gauge ensures a perfect strip every time
- Simply strip wires, push in, and click to close shields
- Clear housing for easy visual inspection
- Construction: Polycarbonate base, Brass contacts, Nylon shields
- Max voltage 600V
- Temp rating 105° C
- The **ONLY** MC-PCS wire connector compliant to 2017 NEC 725.136

#### COMPLIANCE

- - Standard 514B

CATALOG #	DESCRIPTION	UNIT CARTON QTY.	JAR QTY.	BAR CODE
<b>Shield-IT™ Push-In Wire Connectors</b>				
MCPCS4	4 - Port Connector	50	—	
MCPCS4J	4 - Port Connector	—	200	
MCPCS6	6 - Port Connector	50	—	
MCPCS6J	6 - Port Connector	—	125	
MCPCS8	8 - Port Connector	50	—	

### STRAP - STEEL



One Hole Strap

CATALOG #	TRADE SIZE	UNIT CARTON QTY.	SHIP CARTON QTY.	BAR CODE
<b>One Hole Strap – Steel</b>				
2081	3/8"	100	1000	—

#### APPLICATIONS

- For use in mounting MC and AC cables in dry locations

#### PRODUCT FEATURES

- All steel construction ensures mechanical protection
- Zinc-electroplated for corrosion protection

SEE END OF SECTION (PG B107) FOR DETAILED DRAWINGS >>



## NONMETALLIC SHEATHED CABLE CONNECTORS

### THE INSIDER® CONNECTOR - THERMOPLASTIC



**4714**  
**THE INSIDER®**

#### APPLICATIONS

- Use THE INSIDER® in dry locations to connect one or two runs of Nonmetallic Sheathed Cable (NMSC) to a box

#### PRODUCT FEATURES

- Installs from inside the box - The unique design allows the installer to run the NMSC through the knockout to the desired length before snapping the connector into the knockout. No need to cut an oversized hole for an old work box and connector installation
- The only NMSC connector that is UL tested for use with an eccentric knockout
- Accepts single and dual runs of NMSC and accommodates one of the widest ranges of NMSC combinations in the industry. No need to stock any other connector
- Snap-in locking tab design secures THE INSIDER® into the removed 1/2" knockout securely
- One-piece nonmetallic construction - made of tough engineered thermoplastic and can be used in exposed and concealed ceilings and walls. Resists corrosion and offers insulation protection.
- Can be easily removed by pushing one of the locking wing tabs with a screwdriver

#### COMPLIANCE

- LISTED  
UL FILE E195971  
US Patent 7,211,744

CATALOG #	TRADE SIZE	UNIT CARTON QTY.	SHIP CARTON QTY.	BAR CODE
<b>Nonmetallic Sheathed Cable Connector – Thermoplastic</b>				
4714	1/2"	100	1000	—

#### THE INSIDER®

WIRE SIZES
<b>SINGLE CABLE</b>
14-2 /with Ground
14-3 /with Ground
12-2 /with Ground
12-3 /with Ground
10-2 /with Ground
10-3 /with Ground

CONDUCTORS PER CONNECTOR
<b>TWO CABLE COMBINATIONS</b>
(2) 14-2 with Ground
(1) 14-2 with Ground & (1) 12-2 with Ground
(1) 14-2 with Ground & (1) 10-2 with Ground



**Step 1: Easy Installation -** Remove desired knockout. Insert THE INSIDER into the knockout from inside the box.



**Step 2: Done -** Ready for cable.



**Easy Removal -** Push the wing tab of the connector with a screwdriver. Push the connector through the knockout towards the inside of the box.



**Large Cable -** For two cable installations insert the cables through the connector together or one by one. Ideal for circuit breaker panel use.



### CLAMP TYPE - DIE-CAST ZINC



2661



2711

#### Clamp Type Connectors

CATALOG #	TRADE SIZE	CABLE SIZE	UNIT CARTON QTY.	SHIP CARTON QTY.	BAR CODE
<b>Clamp Type Cable Connector – Die-Cast Zinc</b>					
2711*	1/2"	2 #14, 2#10, 3 #14 or 3 #12 - with or w/o Ground	100	1000	—
2863	3/4"	3 #12, 3 #10, 2 #8	50	500	—
2864	1"	4 #12, 3 #12, 4 #10, 3 #10, 3 #8, 2 #8, 2 #6, 2 #4	25	250	—
2661	3/8**	See Chart Below	100	1000	—

\* For 1/2" knockout

#### 1/2" HUB SIZE FOR MC CABLE - SELECTION CHART

CLAMP TYPE - Part No. 2661	DIAMETER
Regular Aluminum Corrugated	.277" - .375"
Aluminum Corrugated	.365" - .510"
Aluminum Smooth	.345" - .525"
Aluminum Interlocked	.455" - .575"
Steel Interlocked	.435" - .547"

#### APPLICATIONS

- For use in dry locations to connect Nonmetallic Sheathed Cable (NMSC) to a box or enclosure

#### PRODUCT FEATURES

- Rugged metallic construction will last the lifetime of the installation

#### COMPLIANCES

- - Standard 514B  
UL Listed E195972, \*E195971 (2711)
- - C22.2 #18


**SERVICE ENTRANCE FITTINGS**
**SERVICE ENTRANCE HEADS - ALUMINUM**

**Clamp Type for Rigid/IMC or EMT**

**Clamp Type for SEU Cable**
**APPLICATION**

- Use to bring overhead electrical service into buildings

**PRODUCT FEATURES**

- Lightweight aluminum body construction eases installation and provides corrosion resistance
- Plastic insulator snaps out easily for quick cable insertion

**COMPLIANCE**

- - Standard 514B  
UL Listed E195972, E195973

CATALOG #	TRADE SIZE	UNIT CARTON QTY.	SHIP CARTON QTY.	BAR CODE
<b>Entrance Heads, Clamp Type for SEU Cable – Aluminum</b>				
2402	1/2"	—	10	
2403	3/4"	—	10	
2404	1"	—	5	
2405	1-1/4"	—	10	
2406	1-1/2"	—	5	
2408	2"	—	5	
2410	2-1/2"	—	1	
2412	3"	—	1	
2414	3-1/2"	—	1	
2416	4"	—	1	

CATALOG #	NOMINAL CABLE SIZES	UNIT CARTON QTY.	SHIP CARTON QTY.	BAR CODE
<b>Entrance Heads, Clamp Type for SEU Cable – Aluminum</b>				
2430	3-#8 through 3-#1 1-#6 through 1-#3	—	10	—
2440	3-#3/0 through 3-#4/0 1-#1/0 through 1-#2/0	—	10	—

SEE END OF SECTION (PG B127) FOR DETAILED DRAWINGS &gt;&gt;



### UNDERGROUND FEEDER (UF) CONNECTORS - ALUMINUM/NYLON/STEEL



Aluminum



Nylon



Steel

CATALOG #	TRADE SIZE	GROMMET OPENING	UF* WIRE SIZE	UNIT CARTON QTY.	SHIP CARTON QTY.	BAR CODE
<b>UF Connectors, Liquid Tight – Aluminum</b>						
4899-9	1/2"	Min. .20" x .40" Max. .25" x .55"	2#14, 2#12, 2#10	—	10	—
<b>UF Connectors, Liquid Tight – Nylon</b>						
4799-1	1/2"	Min. .20" x .40" Max. .25" x .55"	2#14, 2#12, 2#10	—	25	—
4799-3	3/4"	Min. .20" x .60" Max. .26" x .78"	3#14, 3#12, 3#10	—	15	—
<b>UF Connectors, Liquid Tight – Steel</b>						
2462	1/2"	Min. .255" Max. .425"	2#14, 2#12	25	100	—

\* Wire sizes may vary among manufacturers

#### APPLICATIONS

- For use with underground feeder (UF) cable to provide a liquidtight connection to meters and enclosures

#### PRODUCT FEATURES

- Rugged metallic construction will last the life of the installation
- Use a nylon connector when a lightweight corrosion resistant connection is required

#### COMPLIANCES

- - Standard 514B
- - C22.2 #18





## SERVICE ENTRANCE CABLE CONNECTORS - DIE-CAST ZINC


**Connectors - Liquid Tight**
**APPLICATION**

- For use with service entrance cable to provide a liquidtight connection to meters and enclosures

**PRODUCT FEATURES**

- Rugged metallic construction will last the life of the installation

**COMPLIANCE**

- - Standard 514B  
UL Listed E195972

CATALOG #	TRADE SIZE	GROMMET OPENING	UF* WIRE SIZE	UNIT CARTON QTY.	SHIP CARTON QTY.	BAR CODE
<b>Service Entrance Cable Connectors, Liquid Tight – Die-Cast Zinc</b>						
2475	1-1/4"	.57" x .85"	3#2	—	10	—
2485	1-1/4"	.51" x .85"	3#3	—	10	—
2486	1-1/2"	.74" x 1.23"	3#2/0	—	10	—
2498	2"	.83" x 1.41"	3#3/0	—	10	—
2468	2"	.89" x 1.54"	3#4/0	—	10	—

\* Wire sizes may vary among manufacturers



### NON-WATERTIGHT CONNECTORS - DIE-CAST ZINC



Connectors for Oval Cable

Connectors for Oval or Round

CATALOG #	TRADE SIZE	NOMINAL CABLE SIZE	UNIT CARTON QTY.	SHIP CARTON QTY.	BAR CODE
<b>Connectors for Oval Cable – Die-Cast Zinc</b>					
2853	3/4"	3#8, 3#6	—	25	—
2854	1"	3#6, 3#4	—	25	—
2855	1-1/4"	3#6, 3#2	—	10	—
2856	1-1/2"	3#1/0, 3#2/0, 3#1	—	10	—
2858	2"	3#3/0, 3#4/0	—	10	—
<b>Connectors for Oval or Round Cable – Die-Cast Zinc</b>					
2863	3/4"	3#10, 3#6, 2#6	50	500	—
2864	1"	3#6, 3#4	25	250	—

#### APPLICATIONS

- For use with underground feeder (UF) cable to provide a non-watertight connection to meters and enclosures

#### PRODUCT FEATURES

- Rugged metallic construction will last the life of the installation

#### COMPLIANCE

- - Standard 514B  
UL Listed E195972, E195971


**STRAPS - STEEL**

**One Hole Cable Strap**
**APPLICATION**

- For use in mounting service entrance cable

**PRODUCT FEATURES**

- All steel construction provides durable installation
- Zinc-electroplated for added corrosion protection

CATALOG #	NOMINAL CABLE SIZE	UNIT CARTON QTY.	SHIP CAR-TON QTY.	BAR CODE
<b>Straps – Steel</b>				
2441	3#8, 3#6	—	100	—
2442	3#4, 3#3, 3#2	—	100	—
2443	3#1, 3#1/0, 3#2/0	—	50	—
2444	3#3/0, 3#4/0	—	50	—

SEE END OF SECTION (PG B128) FOR DETAILED DRAWINGS &gt;&gt;

**GROUND CLAMPS - BRONZE ALLOY**

**For Bare Ground Wires**

**For Direct Burial in Earth or Concrete**

**For Bare Armored Ground Wires**

CATALOG #	PIPE SIZE	GROUNDING CONDUCTOR SIZE	UNIT CARTON QTY.	SHIP CARTON QTY.	BAR CODE
<b>For Bare Ground Wires – Bronze Alloy</b>					
2504	1/2" - 1"	No. 2 Str. / No. 10 Sol.	—	25	—
2505	1-1/4" - 2"	No. 2 Str. / No. 10 Sol.	—	25	—
<b>For Direct Burial in Earth or Concrete – Bronze Alloy</b>					
2506	1/2" - 1"	No. 2 Str. / No. 10 Sol.	—	25	—
<b>For Bare Armored Ground Wires – Bronze Alloy</b>					
2507	1/2" - 1"	No. 6 Str. / No. 10 Sol.	—	25	—
2508	1-1/4" - 2"	No. 6 Str. / No. 10 Sol.	—	25	—

**APPLICATIONS**

- For use with grounding wire or conduit to water pipes or ground rods

**PRODUCT FEATURES**

- Bronze cast construction assures ground path continuity and provides corrosion resistance

**COMPLIANCE**

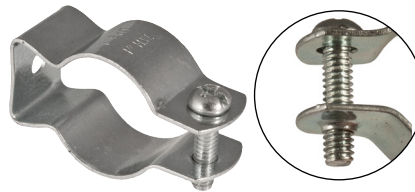
- - Standard 514B  
UL FILE E195975


**For 1/2" and 3/4" Rigid Conduit**

CATALOG #	PIPE SIZE	GROUNDING CONDUCTOR SIZE	UNIT CARTON QTY.	SHIP CARTON QTY.	BAR CODE
<b>For 1/2" Rigid Conduit – Bronze Alloy</b>					
2512	1/2" - 1"	No. 6 Str. / No. 10 Sol.	—	25	—
2522	1-1/4" - 2"	No. 6 Str. / No. 10 Sol.	—	25	—
<b>For 3/4" Rigid Conduit – Bronze Alloy</b>					
2513	1/2" - 1"	No. 2/0 Str. / No. 10 Sol.	—	25	—

SEE END OF SECTION (PG B129) FOR DETAILED DRAWINGS &gt;&gt;


**CONDUIT SUPPORT FITTINGS**
**CONDUIT HANGERS - STEEL**

**Conduit Hangers with Bolts**

**Conduit Hangers with Threaded Holes**
**APPLICATIONS**

- For use in wet or dry locations to support runs of Rigid/IMC and EMT conduit from ceilings and walls

**PRODUCT FEATURES: HANGERS WITH BOLTS**

- Furnished with nut and bolt to speed installation
- Pregalvanized finish provides corrosion protection

**COMPLIANCES**

- - Standard 514B (trade size 0-9)
- - Canada (trade size 0-9)

**PRODUCT FEATURES: HANGERS WITH THREADED HOLE**

- Hangers are supplied with a retained bolt and threaded hole-eliminating the need for a nut
- The design allows for quick and easy installation using a screwdriver or nut driver
- Pre-galvanized finish provides corrosion protection

**COMPLIANCE**

- UL LISTED E195968

**APPLICATIONS**

- For use with hangers, bridle rings, and drop rods to support conduit from I-beams

**PRODUCT FEATURES**

- Rugged steel/malleable iron construction will last the lifetime of the installation
- Zinc-electro plated for corrosion resistance

**COMPLIANCE**

- UL FILE E195968

CATALOG #	TRADE SIZE	RIGID & IMC SIZE	EMT SIZE	SHIP CARTON QTY.	MAX. LOAD LBS.	BAR CODE
<b>Conduit Hangers with Bolts – Steel</b>						
2052	0	1/2"	1/2"	100	50	—
2053	1	3/4"	3/4"	100	50	—
2054	2	1"	1"	100	60	—
2041	2-1/2	—	1-1/4"	100	75	—
2055	3	1-1/4"	1-1/2"	100	80	—
2056	4	1-1/2"	—	100	80	—
2058	5	2"	2"	50	100	—
2057	6	2-1/2"	2-1/2"	25	125	—
2059	7	3"	3"	25	165	—
2060	8	3-1/2"	3-1/2"	10	200	—
2061	9	4"	4"	10	230	—
<b>Conduit Hangers with Threaded Hole – Steel</b>						
2052TH	0	1/2"	1/2"	100	50	—
2053TH	1	3/4"	3/4"	100	50	—
2054TH	2	1"	1"	100	60	—
2041TH	2-1/2	—	1-1/4"	100	75	—
2055TH	3	1-1/4"	1-1/2"	100	80	—
2056TH	4	1-1/2"	—	100	80	—
2058TH	5	2"	2"	50	100	—

**BEAM CLAMPS - STEEL/MALLEABLE IRON**

**Beam Clamp - Steel\***

**Beam Clamps - Malleable Iron**

CATALOG #	TRADE SIZE	INSIDE OPENING SIZE	UNIT CTN. QTY.	SHIP CARTON QTY.	MAX. LOAD LBS.	BAR CODE
<b>Beam Clamps – Steel/Malleable Iron</b>						
2500*	1"	21/32"	—	100	50	—
2524	1"	27/32"	—	100	60	—
2536	1-1/2"	15/16"	—	100	60	—
2538	2"	1-3/16"	—	100	100	—
2510	2-1/2"	1-1/4"	—	100	200	—

\* Catalog no. 2500 is steel.

SEE END OF SECTION (PG B130) FOR DETAILED DRAWINGS >>




**CONDUIT CLAMPS - GALVANIZED MALLEABLE IRON**

**Parallel Type**

**Edge Type**

**Right Angle Type**

CATALOG #	TRADE SIZE	MAX. LOAD SUPPORT @10' SPACING INTERVALS (LBS.)	UNIT CTN. QTY.	SHIP CTN. QTY.	BAR CODE
<b>Parallel Conduit Clamps – Galvanized Malleable Iron</b>					
2322PC	1/2"	50	—	50	—
2323PC	3/4"	50	—	50	—
2324PC	1"	60	—	50	—
2325PC	1-1/4"	75	—	25	—
2326PC	1-1/2"	80	—	25	—
2328PC	2"	100	—	25	—
2330PC	2-1/2"	125 - 160 @ 10' - 16'	—	25	—
2332PC	3"	165 @ 10' - 20'	—	5	—
2334PC	3-1/2"	200 - 375 @ 10' - 20'	—	5	—
2336PC	4"	230 - 470 @ 10' - 20'	—	5	—
<b>Edge Conduit Clamps – Galvanized Malleable Iron</b>					
2302EC	1/2"	50	—	25	—
2303EC	3/4"	50	—	25	—
2304EC	1"	60	—	25	—
2305EC	1-1/4"	75	—	25	—
2306EC	1-1/2"	80	—	25	—
2308EC	2"	100	—	25	—
2310EC	2-1/2"	125 - 160 @ 10' - 16'	—	25	—
2312EC	3"	165 @ 10' - 20'	—	5	—
<b>Right Angle Conduit Clamps – Galvanized Malleable Iron</b>					
2352RC	1/2"	50	—	50	—
2353RC	3/4"	50	—	50	—
2354RC	1"	60	—	50	—
2355RC	1-1/4"	75	—	25	—
2356RC	1-1/2"	80	—	25	—
2358RC	2"	100	—	25	—
2360RC	2-1/2"	125 - 160 @ 10' - 16'	—	10	—
2362RC	3"	165 @ 10' - 20'	—	5	—
2364RC	3-1/2"	200 - 375 @ 10' - 20'	—	5	—
2366RC	4"	230 - 470 @ 10' - 20'	—	5	—

**APPLICATIONS**

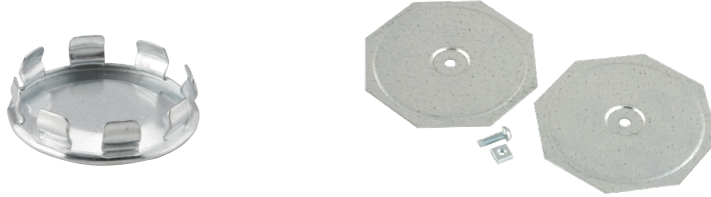
- To secure rigid metal conduit, IMC or EMT across, parallel or perpendicular to channel, beam and angle supports

**PRODUCT FEATURES**

- Three styles meet every installation need
- Heavy duty U-bolts, hex bolts and hex nuts
- Capable of supporting heavy loads
- Hot dipped galvanized malleable iron construction provides excellent weatherability and corrosion protection
- Perfect for commercial construction applications

**COMPLIANCE**

- UL LISTED E195968

**MISCELLANEOUS FITTINGS**
**KNOCKOUT SEALS - STEEL**

**Knockout Seals - One Piece**
**Knockout Seals - Two Piece\***
**APPLICATIONS**

- For use in closing off unused openings in boxes or panelboards

**PRODUCT FEATURES**

- All steel construction provides installation integrity
- Zinc-electroplated for added corrosion protection

**COMPLIANCE**

- - Standard 514B (1037 - 1041)  
UL Listed E195973

CATALOG #	TRADE SIZE	UNIT CARTON QTY.	SHIP CARTON QTY.	BAR CODE
<b>Knockout Seals, One Piece – Steel</b>				
1042	1/2"	100	1000	—
1043	3/4"	100	1000	—
1044	1"	100	400	—
1045	1-1/4"	50	200	—
1046	1-1/2"	—	50	—
1048	2"	—	25	—
<b>Knockout Seals, Two Piece – Steel</b>				
1037	2-1/2"	—	10	—
1039	3"	—	10	—
1040	3-1/2"	—	10	—
1041	4"	—	10	—

*\*Two piece seals include two discs, bolt and nut in a poly bag.*

SEE END OF SECTION (PG B131) FOR DETAILED DRAWINGS >>



### CABLE PROTECTORS - STEEL



2709



2710



2712



2713

Cable Protector Plates

PUZZLE-PLATE®

CATALOG #	CONTRACTOR PACK	PLATE LENGTH & THICKNESS	STANDARD PACKAGE	WEIGHT PER 100	BAR CODE
<b>Cable Protectors – Pre-galvanized Steel</b>					
2709	—	2-9/16" Long, .0625" Thick	100	6.8	
2709-9	Yes	2-9/16" Long, .0625" Thick	100	6.8	*
2710	—	2-9/16" Long, .0625" Thick	200	6.8	—
<b>PUZZLE-PLATE Cable Protectors – Pre-galvanized Steel</b>					
2712**	—	2-3/4" Long, .051" Thick	100	5.3	
2712-9R	Yes	2-3/4" Long, .0625" Thick	50	6.5	—
2712R	—	2-3/4" Long, .0625" Thick	100	6.5	
2713**	—	5" Long, .051" Thick	50	10.0	
2713R	—	5" Long, .0625" Thick	50	12.2	

\* Project pack sold as a UPC-A bar coded carton of 100.

\*\* Not cULus listed.

#### APPLICATIONS (NMSC)

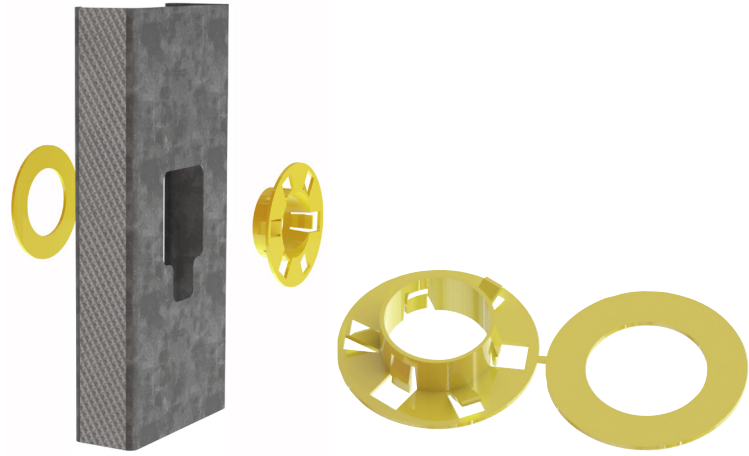
- Protects nonmetallic sheathed cable or raceway type wires running through wood studs from accidental nail, screw, or drill penetration. Also applies to plumbing to protect nonmetallic piping

#### PRODUCT FEATURES

- Interlocking design of RACO® PUZZLE PLATE® cable protector prevents nail or screw presentation through gaps or holes
- Pre-galvanized steel construction for added corrosion protection
- No additional hardware required, just position and hammer down spurs
- Unique PUZZLE-PLATE® interlocking feature allows installer to easily increase area that requires protection
- Contractor packs or individually bar coded pieces
- Made in USA

#### COMPLIANCE

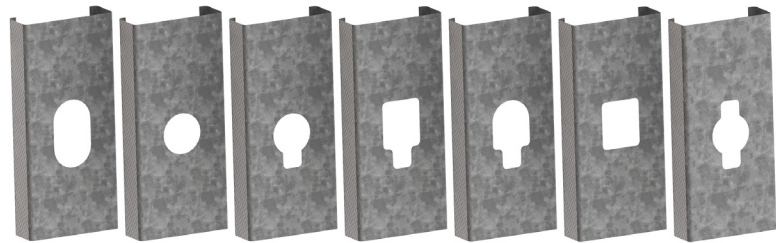
- LISTED  
UL FILE E195968  
Canada Patent: 2,731,812

**MISCELLANEOUS FITTINGS**
**UNIVERSAL METAL STUD GROMMET**

**APPLICATIONS (NMSC)**

- For use with nonmetallic cables and conduit running through metal studs.
- The grommets protect nonmetallic sheathed cables and nonmetallic tubing from damage by the sharp metal edges during pulling.

**PRODUCT FEATURES**

- Universal design fits in a standard 1" trade size hole (1-3/8" diameter), or various factory-punched stud configurations, eliminating the need to carry multiple SKU's
- Snap-in design secures quickly and safely to the metal stud opening
- Grommets prevent safety hazards and costly repairs by protecting the conductors against physical damage
- Lightweight plastic material eases installation


**Universal design fits most common hole configurations**
**COMPLIANCES**

- - LISTED
- - LISTED

CATALOG #	TRADE SIZE	UNIT CARTON QTY.	SHIP CARTON QTY.	BAR CODE
<b>Universal</b>				
1494B25	1"	—	6 bags of 25 pcs.	

**REDUCING WASHERS - STEEL**

**Reducing Washers**

CATALOG #	TRADE SIZE	DIMENSIONS		UNIT CTN. QTY.	SHIP CTN. QTY.	BAR CODE
		A	B			
<b>Reducing Washers – Steel</b>						
1365	3/4" - 1/2"	1-1/4"	7/8"	200	1000	—
1366	1" - 1/2"	1-17/32"	7/8"	100	1000	—
1367	1" - 3/4"	1-17/32"	1-3/32"	100	1000	—
1368	1-1/4" - 1/2"	1-31/32"	7/8"	—	100	—
1369	1-1/4" - 3/4"	1-31/32"	1-3/32"	—	100	—
1370	1-1/4" - 1"	1-31/32"	1-3/8"	—	100	—
1371	1-1/2" - 1/2"	2-5/32"	7/8"	—	50	—
1372	1-1/2" - 3/4"	2-5/32"	1-3/32"	—	50	—
1373	1-1/2" - 1"	2-5/32"	1-3/8"	—	50	—
1374	1-1/2" - 1-1/4"	2-5/32"	1-3/4"	—	50	—
1375	2" - 1/2"	2-11/16"	7/8"	—	50	—
1376	2" - 3/4"	2-11/16"	1-3/32"	—	50	—
1377	2" - 1"	2-11/16"	1-3/8"	—	50	—
1378	2" - 1-1/4"	2-11/16"	1-3/4"	—	50	—
1379	2" - 1-1/2"	2-11/16"	1-31/32"	—	50	—
1380	2-1/2" - 1"	3-3/16"	1-3/8"	—	50	—
1381	2-1/2" - 1-1/4"	3-3/16"	1-3/4"	—	50	—
1382	2-1/2" - 1-1/2"	3-3/16"	1-31/32"	—	50	—
1383	2-1/2" - 2"	3-3/16"	2-15/32"	—	50	—
1384	3" - 1-1/4"	3-13/16"	1-3/4"	—	25	—
1385	3" - 1-1/2"	3-13/16"	1-31/32"	—	25	—
1386	3" - 2"	3-13/16"	2-15/32"	—	25	—
1387	3" - 2-1/2"	3-13/16"	3"	—	25	—
1389	3-1/2" - 2"	4-3/8"	2-15/32"	—	10	—
1390	3-1/2" - 2-1/2"	4-3/8"	3"	—	10	—
1391	3-1/2" - 3"	4-3/8"	3-5/8"	—	10	—
1392	4" - 2"	4-29/32"	2-15/32"	—	10	—
1393	4" - 2-1/2"	4-29/32"	3"	—	10	—
1394	4" - 3"	4-29/32"	3-5/8"	—	10	—

**APPLICATIONS**

- For use when a raceway is smaller in trade size than the trade size of the knockout it is intended to enter
- Use reducing washers in pairs. One inside and one outside the box or enclosure

**PRODUCT FEATURES**

- All steel construction provides installation integrity
- Reducing washer is stamped with trade size information for ease of product identification
- Zinc-electroplated for added corrosion protection



**MISCELLANEOUS FITTINGS**
**SEALING WASHERS - STEEL**

**Sealing Washers\***
**APPLICATIONS**

- For use whenever a positive seal is required between the shoulder of a fitting and an enclosure

**PRODUCT FEATURES**

- One-piece construction assures proper installation - no need to worry about aligning multiple components
- Steel ring is zinc-electroplated for added corrosion protection
- UPC bar coded fittings are individually polybagged with a preprinted UPC-A bar code and packaged in pre-scored tear top cartons for an attractive presentation

**COMPLIANCES**

- - Standard 514B  
UL Listed E195973
- - C22.2 #18

CATALOG #	TRADE SIZE	UNIT CARTON QTY.	SHIP CARTON QTY.	BAR CODE
<b>Sealing Washers* – Steel</b>				
2452	1/2"	50	100	—
2452-8	1/2"	2 per bag	25 bags of 2	
2453	3/4"	25	50	—
2453-8	3/4"	2 per bag	20 bags of 2	
2454	1"	25	50	—
2454-8	1"	2 per bag	10 bags of 2	
2455	1-1/4"	5	25	—
2456	1-1/2"	5	25	—
2458	2"	5	25	—

*\* One-piece steel ring and neoprene gasket, raintight*

**NIPPLES - DIE CAST ZINC**

**3/4" Offset Nipples**

**Uninsulated Chase Nipples**

CATALOG #	TRADE SIZE	UNIT CARTON QTY.	SHIP CARTON QTY.	BAR CODE
<b>3/4" Offset Nipples – Die-Cast Zinc</b>				
1452	1/2"	—	50	—
1453	3/4"	—	20	—
1454	1"	—	15	—
1455	1-1/4"	—	10	—
1456	1-1/2"	—	10	—
1458	2"	—	6	—
<b>Uninsulated Chase Nipples – Die-Cast Zinc</b>				
1662	1/2"	100	1000	—
1663	3/4"	50	500	—
1664	1"	25	250	—
1665	1-1/4"	25	250	—
1666	1-1/2"	25	100	—
1668	2"	10	40	—
1670	2-1/2"	10	40	—
1672	3"	10	40	—
1674	3-1/2"	10	40	—
1676	4"	5	20	—

**APPLICATION FOR OFFSET NIPPLES**

- For use when connecting two boxes or panels when the knockouts are not in line

**PRODUCT FEATURE**

- Rugged metallic construction provides mechanical protection for the conductors

**COMPLIANCES**

- - Standard 514B  
UL LISTED E195969
- - C22.2 #18

**APPLICATION FOR UNINSULATED NIPPLES**

- For use with a conduit coupling to connect conduit to a box or, with a locknut to connect two boxes

**PRODUCT FEATURES**

- Rugged metallic construction

**COMPLIANCES**

- - Standard 514B  
UL LISTED E195969
- - C22.2 #18

**BUSHINGS**

**Anti-short Bushings**

CATALOG #	TRADE SIZE	UNIT CARTON QTY.	SHIP CARTON QTY.	BAR CODE
<b>Anti-short Bushings – Plastic</b>				
1440B35	5/16"	35	10 bags of 35	
1441B35	3/8"	35	10 bags of 35	
1447B35	7/16"	35	5 bags of 35	
1442B20	1/2"	20	5 bags of 20	
1443B16	3/4"	16	4 bags of 16	

**APPLICATION FOR ANTI-SHORT BUSHINGS**

- Anti-short bushings are for use with armored cable and flexible metal conduit. The bushings protect the conductors during pulling from sharp cut ends of the conduit.

**PRODUCT FEATURES**

- Easy to use - just insert into the end of the conduit
- Lightweight, one-piece plastic construction resists corrosion
- Economical solution for preventing costly damage

**MISCELLANEOUS FITTINGS**

**DUCT SEALING COMPOUND**



**DS-1LB**



**DS-5LB**

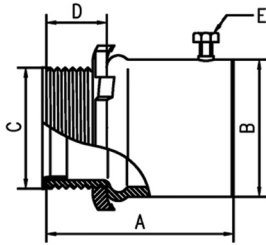
**APPLICATIONS**

- Indoor/Outdoor general use
- For use in sealing around electrical boxes, flashings, and mast service entries.
- Permanently soft and will adhere to most clean dry surfaces

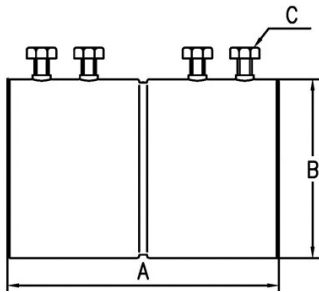
**PRODUCT FEATURES**

- Gray color
- Non-Corrosive: safe for metals and plastics
- Non-Irritant to skin
- Paintable
- Recommended temperature range: 25° to +120° F
- Temperature tolerance range: -30° to +175° F
- Will not slump at +275° F

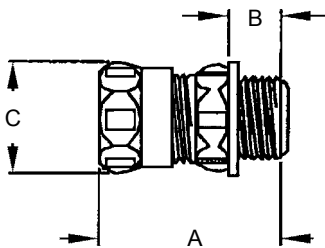
CATALOG #	TRADE SIZE	UNIT CARTON QTY.	SHIP CARTON QTY.	BAR CODE
<b>Duct Sealing Compound</b>				
DS-1LB	1 LB Brick	—	30	—
DS-5LB	5 LB Brick	—	6	—

**EMT CONNECTORS**

**Set Screw Connectors - Steel**

INSULATED CATALOG NO.	UNINSULATED CATALOG NO.	A	B WIDTH/HEIGHT	C	D	E
2122, 2122-8	2002, 2002-8	1.41"	0.85	1/2-14 NPSM	0.374"	#12-28NF
2123, 2123-8	2003, 2003-8	1.47"	1.08	3/4-14 NPSM	0.394"	#12-28NF
2124, 2124-8	2004, 2004-8	1.81"	1.30	1-11 1/2 NPSM	0.391"	#12-28NF
2125	2005	2.16"	1.67	1 1/4-11 1/2 NPSM	0.400"	1/4-28NF
2126	2006	2.34"	1.90	1 1/2-11 1/2 NPSM	0.400"	1/4-28NF
2128	2008	2.49"	2.36	2-11 1/2 NPSM	0.408"	1/4-28NF
2160	2140	3.28"	3.15	2 1/2-8 NPSM	0.654"	1/4-28NF
2162RAC	2142	3.38"	3.77	3-8 NPSM	0.654"	1/4-28NF
2164	2144	3.54"	4.27	3 1/2-8 NPSM	0.717"	1/4-28NF
2166	2146	3.54"	4.77	4-8 NPSM	0.171"	1/4-28NF

**Set Screw Couplings**


CATALOG NUMBER	A	B	C
2022, 2022-8	1.57"	0.85"	#12-28NF
2023, 2023-8	1.92"	1.08"	#12-28NF
2024, 2024-8	2.40"	1.33"	#12-28NF
2025	3.03"	1.70"	1/4-28UNS
2026	3.38"	1.93"	1/4-28UNS
2028	3.70"	2.39"	1/4-28UNS
2150	4.09"	3.14"	1/4-24UNS
2152	4.33"	3.77"	1/4-24UNS
2154	4.52"	4.28"	1/4-24UNS
2156	4.72"	4.78"	1/4-24UNS


**Compression Connectors - Steel**

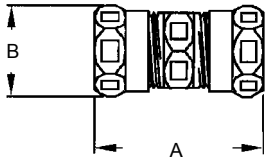
INSULATED CATALOG NUMBER	UNINSULATED CATALOG NUMBER	A	B	C
2912, 2912-8	2902, 2902-8	1.58"	0.46"	1.16"
2913, 2913-8	2903, 2903-8	1.79"	0.45"	1.38"
2914, 2914-8	2904, 2904-8	1.90"	0.56"	1.64"
2915	2905	2.10"	0.65"	2.04"
2916	2906	2.25"	0.70"	2.27"
2918	2908	2.40"	0.66"	2.74"
2960	2940	2.50"	0.81"	3.62"
2962	2942	2.62"	0.94"	4.25"
2964	2944	2.81"	1.00"	4.68"
2966	2946	2.81"	1.00"	5.18"

**Compression Connectors, Raintight**

2912RT	2902RT	1.58"	0.46"	1.16"
2913RT	2903RT	1.79"	0.45"	1.38"
2914RT	2904RT	1.90"	0.56"	1.64"
2915RT	2905RT	2.10"	0.65"	2.04"
2916RT	2906RT	2.25"	0.70"	2.27"
2918RT	2908RT	2.40"	0.66"	2.74"
2960RT	2940RT	2.50"	0.81"	3.62"
2962RT	2942RT	2.62"	0.94"	4.25"
2964RT	2944RT	2.81"	1.00"	4.68"
2966RT	2946RT	2.81"	1.00"	5.18"

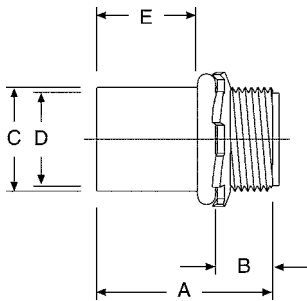
**DETAILED DRAWINGS**

**EMT CONNECTORS & COUPLINGS**



**Compression Couplings - Steel**

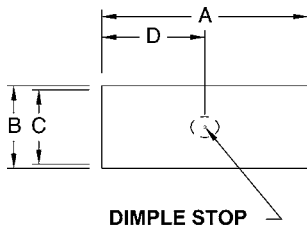
CATALOG NUMBER			A	B
2922, 2922-8	2922US	2922RT	2.00"	1.16"
2923, 2923-8	2923US	2923RT	2.15"	1.38"
2924, 2924-8	2924US	2924RT	2.32"	1.64"
2925	2925US	2925RT	2.50"	2.04"
2926	2926US	2926RT	2.78"	2.27"
2928	2928US	2928RT	2.88"	2.74"
2950	2950US	2950RT	3.87"	3.62"
2952	2952US	2952RT	4.00"	4.25"
2954	2954US	2954RT	4.68"	4.68"
2956	2956US	2956RT	4.93"	5.18"



**Indenter Connectors**

INSULATED CATALOG NUMBER	UNINSULATED CATALOG NUMBER	A	B	C	D	E
1992	1972	1-1/2"	11/32"	13/16"	23/32"	1"
1993	1973	1-35/64"	25/64"	1-1/64"	15/16"	1-1/16"

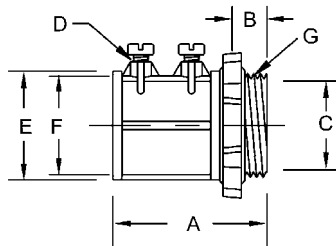
A = Overall length  
 B = Thread length  
 C = Body O.D.  
 D = Body I.D.  
 E = Length to conduit stop



**Indenter Couplings**

CATALOG NUMBER	A	B	C	D
1982	2"	3/16"	23/32"	31/32"
1983	2-1/4"	1-1/32"	15/16"	1-1/16"

A = Overall length  
 B = O.D. of body  
 C = I.D. of body  
 D = Length to center stop



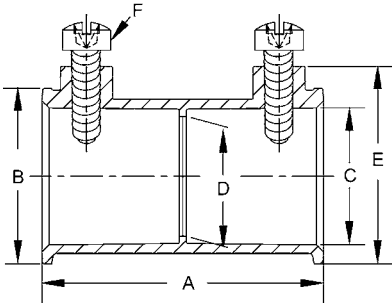
**Connectors**

INSULATED CATALOG NO.	UNINSULATED CATALOG NO.	A	B	C	D	E	F	G
2634	2602	1-5/32"	25/64"	39/64"	10-24 x 5/16"	15/16"	23/32"	1/2"-14
2635	2603	1-13/32"	15/32"	13/16"	10-24 x 5/16"	1-7/32"	15/16"	3/4"-14
2636	2604	1-35/64"	35/64"	1-1/32"	10-24 x 5/16"	1-27/64"	1-3/16"	1"-11-1/2
2637	2605	1-31/32"	5/8"	1-3/8"	12-24 x 3/8"	1-53/64"	1-35/64"	1-1/4"-11-12
2638	2606	2-13/64"	47/64"	1-19/32"	1/4-20 x 1/2"	2-3/64"	1-49/64"	1-1/2"-11-12
2639	2608	2-1/2"	3/4"	2-3/64"	1/4-20 x 1/2"	2-17/32"	2-15/64"	2"-11-12
2648	2640	3-3/32"	1-3/64"	2-33/64"	1/4-20 x 1/2"	3-19/64"	2-59/64"	2-1/2"-8
2649	2642	3-25/64"	1-1/16"	3-5/32"	1/4-20 x 1/2"	3-15/16"	3-9/16"	3"-8
2650	2644	3-9/16"	1-3/64"	3-19/32"	1/4-20 x 1/2"	4-7/16"	4-3/64"	3-1/2"-8
2651	2646	3-49/64"	1-1/8"	4-7/64"	1/4-20 x 1/2"	4-15/16"	4-37/64"	4"-8

A = Overall length  
 B = Thread length  
 C = Throat I.D.  
 D = Screw size and length  
 E = Body O.D.  
 F = Body I.D.  
 G = NPSM threads



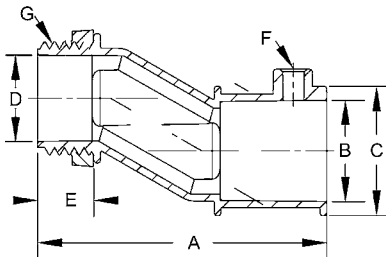
**EMT CONNECTORS & COUPLINGS - DIE CAST ZINC**



**Couplings**

CATALOG NUMBER	A	B	C	D	E	F
2622	1-1/2"	59/64"	23/32"	41/64"	1-3/64"	10-24 x 5/16"
2623	1-7/8"	1-9/64"	15/16"	55/64"	1-15/64"	10-24 x 5/16"
2624	2"	1-27/64"	1-3/16"	1-7/64"	1-17/32"	10-24 x 5/16"
2625	2-1/2"	1-53/64"	1-17/32"	1-7/16"	1-63/64"	12-24 x 3/8"
2626	2-7/8"	2-1/16"	1-49/64"	1-43/64"	2-13/64"	1/4-20 x 1/2"
2628	3-7/16"	2-35/64"	2-7/32"	2-1/8"	2-11/16"	1/4-20 x 1/2"
2670	4-1/64"	3-21/64"	2-29/32"	2-3/4"	3-11/32"	1/4-20 x 1/2"
2672	4-29/64"	3-15/16"	3-35/64"	3-27/64"	3-63/64"	1/4-20 x 1/2"
2674	4-15/16"	4-7/16"	3-35/64"	3-61/64"	4-31/64"	1/4-20 x 1/2"
2676	5-15/64"	4-15/16"	4-35/64"	4-13/32"	4-31/64"	1/4-20 x 1/2"

A = Overall length  
 B = O.D. of body  
 C = I.D. of body  
 D = Center stop dia.  
 E = Height of body  
 F = Screw

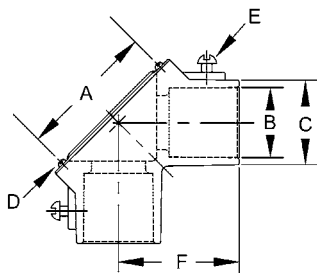


**3/8" Offset Connectors**

CATALOG NUMBER	A	B	C	D	E	F	G
1763	3-1/64"	15/16"	1-1/32"	55/64"	15/32"	10-24 x 5/16"	3/4"- 14

A = Overall length  
 B = I.D. of body  
 C = O.D. of body  
 D = Throat I.D.  
 E = Thread length  
 F = Screw size and length  
 G = Thread spec.

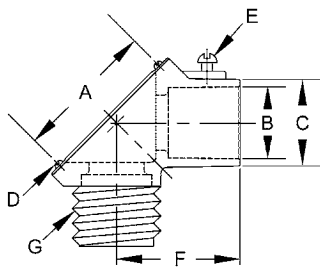
**EMT HANDY ELLS**



**90° Handy Ells - Couplings**

CATALOG NUMBER	A	B	C	D	E	F
2752	1-1/2"	47/64"	15/16"	8-32 x 1/4"	10-32 x 5/16"	1-5/16"
2753	1-13/16"	15/16"	1-3/16"	8-32 x 1/4"	10-32 x 5/16"	1-13/32"
2754	2-51/64"	1-3/16"	1-35/64"	8-32 x 1/4"	1/4-20 x 1/2"	1-27/32"

A = Distance between cover screws  
 B = I.D. of body  
 C = O.D. of body  
 D = Screw size and length  
 E = Set screw size  
 F = Length



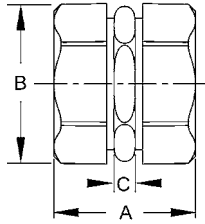
**90° Handy Ells - Connectors**

CATALOG NUMBER	A	B	C	D	E	F	G
2762	1-1/2"	47/64"	15/16"	8-32 x 1/4"	10-32 x 5/16"	1-5/16"	1/2"-14 NPSM
2763	1-13/16"	15/16"	1-3/16"	8-32 x 1/4"	10-32 x 5/16"	1-13/32"	3/4"-14 NPSM

A = Distance between cover screws  
 B = I.D. of body  
 C = O.D. of body  
 D = Screw size and length  
 E = Set screw size  
 F = Length to end of body  
 G = Thread spec.

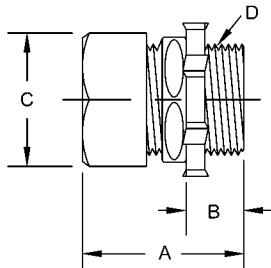
**DETAILED DRAWINGS**

**EMT COUPLINGS & CONNECTORS - DIE CAST ZINC**



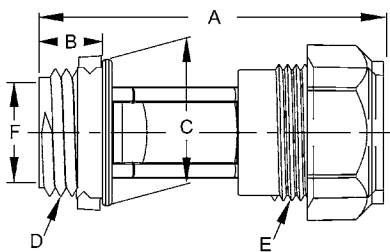
Compression Couplings			
CATALOG NUMBER	A	B	C
2822	1-45/64"	29/32"	21/64"
2823	1-25/32"	1-7/64"	7/32"
2824	1-53/64"	1-13/32"	13/32"
2825	2-1/8"	1-25/32"	3/8"
2826	2-11/32"	2"	13/32"
2828	2-15/32"	2-13/32"	3/8"
2870	3-9/32"	3-5/32"	3/8"
2872	3-11/32"	3-13/16"	3/8"
2874	3-35/64"	4-9/32"	3/8"
2876	3-21/64"	4-3/4"	3/8"

A = Overall length  
 B = Compression nut O.D. across flats  
 C = Body hex width



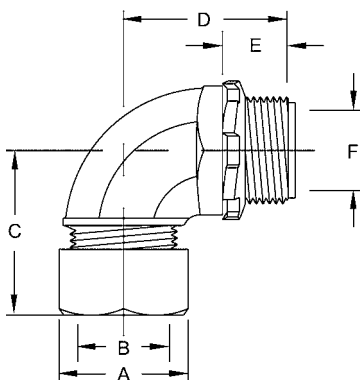
Compression Connectors						
INSULATED CATALOG NO.	UNINSULATED CATALOG NO.	A	B	C	D	
2832	2802	1-11/32"	9/16"	29/32"	1/2" - 14 NPSM	
2833	2803	1-3/8"	9/16"	1-3/32"	3/4" - 14 NPSM	
2834	2804	1-33/64"	23/32"	1-13/32"	1" - 11-1/2 NPSM	
2835	2805	1-53/64"	49/64"	1-25/32"	1-1/4" - 11-1/2 NPSM	
2836	2806	1-15/16"	49/64"	2-1/8"	1-1/2" - 11-1/2 NPSM	
2838	2808	2-15/64"	59/64"	2-21/32"	2" - 11-1/2 NPSM	
2890	2840	2-45/64"	1-11/64"	3-5/32"	2-1/2" - 8 NPSM	
2892	2842	2-49/64"	1-13/64"	3-13/16"	3" - 8 NPSM	
2894	2844	2-59/64"	1-15/64"	4-1/4"	3-1/2" - 8 NPSM	
2896	2846	2-59/64"	1-15/64"	4-49/64"	4" - 8 NPSM	

A = Overall length  
 B = Thread length  
 C = Compression nut across flats  
 D = Threads NPSM



Compression Offset Connectors						
CATALOG NUMBER	A	B	C	D	E	F
1952	2-5/32"	13/32"	15/16"	1/2" - 14	7/8"-18-2A	5/8"
1953	2-15/16"	15/32"	1-5/32"	3/4" - 14	1-5/64" - 18-2A	25/32"

A = Overall length  
 B = Thread length  
 C = Threaded hub O.D.  
 D = Threads NPSM  
 E = Threads UNS  
 F = Throat I.D.

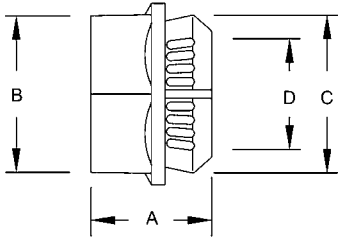


90° Short Angle Connectors							
CATALOG NUMBER	A	B	C	D	E	THREAD SPEC.	F
2072	1-1/8"	23/32"	1-9/32"	1-7/32"	1/2"	1/2" - 14 NPT	5/8"
2073	1-3/8"	15/32"	1-19/32"	1-15/32"	9/16"	3/4" - 14 NPT	13/16"

A = Compression nut O.D.  
 B = Compression nut I.D.  
 C = Length to end of nut  
 D = Length to end of thread  
 E = Thread length and thread spec.  
 F = Throat I.D.

**MALLEABLE IRON**

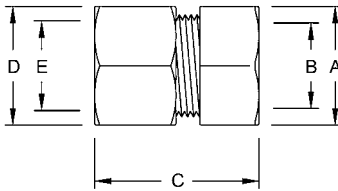
**EMT CONNECTORS & COMBINATION COUPLINGS**



**Two-Piece Connectors**

CATALOG NUMBER	A	B	C	D
2702	11/16"	1-3/64"	15/16"	39/64"
2703	13/16"	1-5/16"	1-5/32"	13/16"

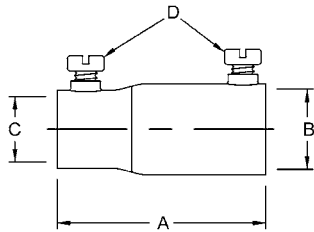
A = Overall length  
 B = O.D. of nut  
 C = O.D. of body  
 D = I.D. of throat



**EMT - Rigid - Couplings Threaded/Compression**

CATALOG NUMBER	A	B	C	D	E
1352	1-5/32"	3/4"	1-11/32"	1-1/8"	23/32"
1353	1-7/16"	31/32"	1-17/32"	1-3/8"	15/16"
1354	1-21/32"	1-7/32"	1-5/8"	1-43/64"	1-11/64"

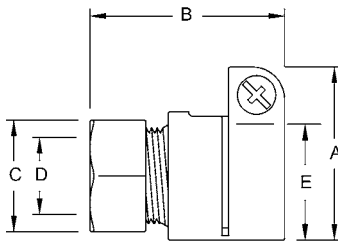
A = O.D. of hub  
 B = Throat I.D.  
 C = Overall length  
 D = Nut O.D.  
 E = Nut I.D.



**EMT - Rigid Couplings Set Screw**

CATALOG NUMBER	A	B	C	D
1432	2-13/64"	55/64"	23/32"	1/4-28 x 3/8" Pan Head
1433	2-21/32"	1-1/16"	59/64"	1/4-28 x 3/8" Pan Head
1434	3-5/64"	1-21/64"	1-11/64"	1/4-28 x 3/8" Pan Head

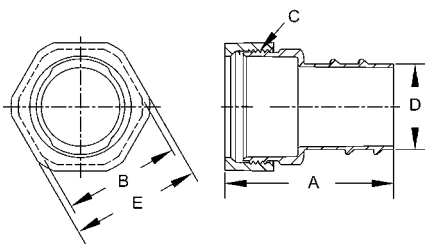
A = Overall length  
 B = I.D. rigid side  
 C = I.D. EMT side  
 D = Screw spec.



**EMT - Flex Couplings Squeeze/Compression**

CATALOG NUMBER	A	B	C	D	E
1941	1-1/4"	1-5/16"	1-7/64"	23/32"	17/32" - 5/8"
1942, 1942-8	1-1/2"	1-3/4"	1-7/64"	23/32"	13/16" - 15/16"
1943, 1943-8	1-3/4"	1-53/64"	1-3/8"	15/16"	1-31/32" - 1-1/8"

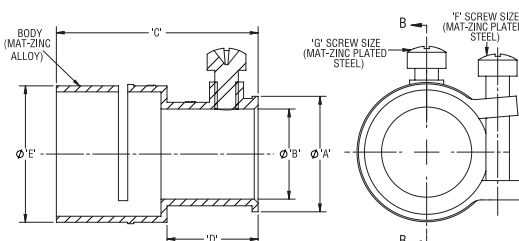
A = Width across flex side  
 B = Overall length  
 C = Nut O.D.  
 D = Nut I.D.  
 E = Clamping range (flex side)



**EMT - Rigid - Couplings Threaded/Compression**

CATALOG NUMBER	A	B	C THREAD SPEC.	D	E
1482	1-21/32"	59/64"	7/8"-18 UNS	5/8"	31/32"
1483	1-51/64"	1-1/8"	1-5/64"-18 UNS	13/16"	1-7/32"
1484	1-63/64"	1-23/64"	1-23/64"-18 UNS	1"	1-33/64"

A = Overall length  
 B = Body across flat  
 C = Thread spec.  
 D = Flex end O.D.  
 E = Nut across flat



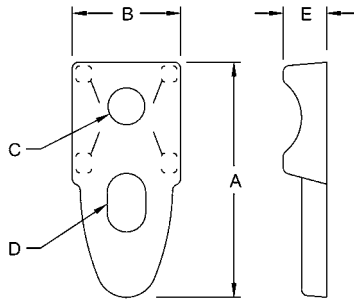
**Combination Couplings**

CATALOG NUMBER	A	B	C	D	E
1852	0.933"	0.728"	1.63"	0.736"	1.102"
1853	1.157"	0.945"	1.961"	0.803"	1.303"

A = Overall length  
 B = Body across flat  
 C = Thread spec.  
 D = Flex end O.D.  
 E = Nut across flat

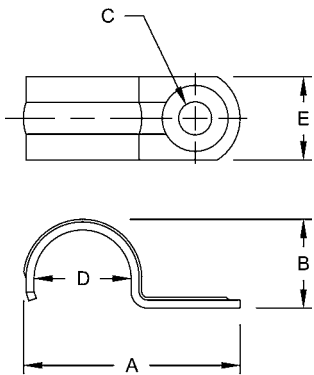
**DETAILED DRAWINGS**

**EMT CLAMPBACKS & STRAPS**



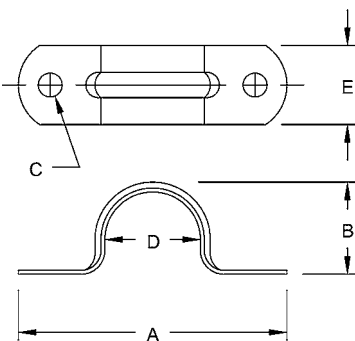
Clampbacks					
CATALOG NUMBER	A	B	C	D	E
1342	2-19/64"	1-1/32"	23/64"	3/8" x 9/16"	27/64"
1343	2-7/16"	1-11/64"	29/64"	27/64" x 21/32"	29/64"
1344	3-1/64"	1-17/64"	3/8"	33/64" x 23/32"	17/32"
1345	3-17/32"	1-19/32"	19/32"	1/2" x 47/64"	35/64"
1346	3-29/32"	1-39/64"	9/16"	9/16" x 15/16"	1/2"
1348	4-27/32"	1-63/64"	9/16"	37/64" x 25/32"	59/64"
1347	5-3/4"	2-13/32"	37/64"	39/64" x 1-1/4"	53/64"
1349	6-47/64"	2-5/8"	33/64"	19/32" x 1-15/64"	27/32"
1350	7-21/32"	3-17/64"	19/32"	43/64" x 1-7/64"	61/64"
1351	8-5/64"	3-7/16"	33/64"	7/8" x 1-19/64"	1-1/32"

A = Overall length  
 B = Width  
 C = Hole diameter  
 D = Slot size  
 E = Height



One Hole Push-on Straps					
CATALOG NUMBER	A	B	C	D	E
2082	1-5/8"	49/64"	1/4"	23/32"	5/8"
2083	2-3/16"	1"	9/32"	59/64"	5/8"
2084	2-9/16"	1-9/32"	9/32"	1-11/64"	3/4"
2085	3-1/8"	1-41/64"	9/32"	1-17/32"	7/8"
2086	3-5/8"	1-57/64"	11/32"	1-3/4"	1"
2088	4-7/16"	2-25/64"	11/32"	2-3/16"	1-1/8"
1337	5-5/16"	3-1/16"	21/32"	2-7/8"	1-1/4"
1339	6-1/16"	3-11/16"	21/32"	3-1/2"	1-1/4"
1340	6-7/8"	4-1/4"	21/32"	4"	1-1/4"
1341	7-3/8"	4-3/4"	21/32"	4-1/2"	1-1/4"

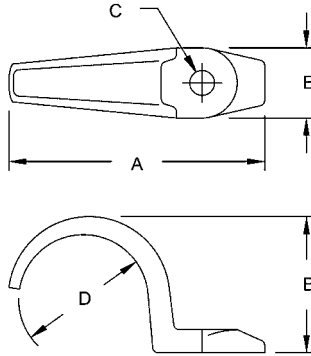
A = Overall length  
 B = Height  
 C = Hole size  
 D = Diameter  
 E = Width of strap



Two Hole Stamped Straps					
CATALOG NUMBER	A	B	C	D	E
2092	2.140"	.750"	.187"	.706"	.625"
2093	2.288"	1.015"	.187"	.922"	.625"
2094	2.750"	1.235"	.250"	1.163"	.750"
2095	3.520"	1.540"	.250"	1.510"	.750"
2096	3.770"	1.785"	.250"	1.740"	.750"
2098	4.453"	2.270"	.250"	2.147"	.750"
2239	5.720"	3.050"	.312"	2.875"	1.000"
2240	6.578"	3.670"	.312"	3.500"	1.000"
2241	7.156"	3.975"	.312"	4.000"	1.000"
2242	7.718"	4.700"	.312"	4.500"	1.000"

A = Overall length  
 B = Height  
 C = Hole size  
 D = Diameter  
 E = Width of strap

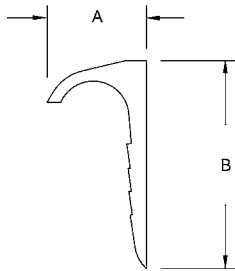
**EMT CLAMPBACKS & STRAPS**



One Hole Straps					
CATALOG NUMBER	A	B	C	D	E
1310	5-3/8"	3-1/32"	35/64"	2-7/8"	1-5/16"
1312	6-39/64"	3-25/32"	9/16"	3-1/2"	1-31/64"
1314	7-7/8"	4-13/32"	45/64"	4"	2"
1316	8-15/64"	4-27/32"	3/4"	4-1/2"	2"

A = Overall length  
 B = Height  
 C = Hole size  
 D = Diameter  
 E = Width of strap

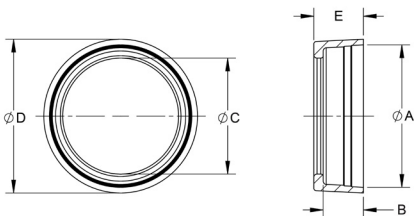
**NAIL-UP STRAPS**



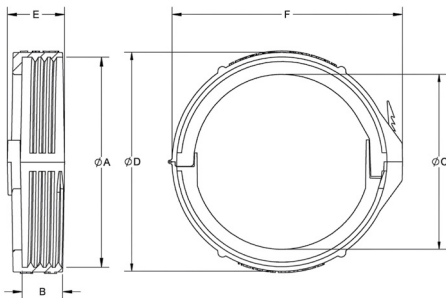
Nail-up Straps Stamped		
CATALOG NUMBER	A	B
2252	1-1/16"	2-3/16"
2253	1-1/4"	2-19/64"
2254	1-1/2"	2-13/32"

A = Width  
 B = Height

**EMT INSULATING BUSHINGS**



Insulating Bushings					
CATALOG NUMBER	A	B	C	D	E
2172RAC	0.72	0.41	0.56	0.84	0.54
2173RAC	0.93	0.40	0.74	1.05	0.53
2174RAC	1.18	0.50	0.96	1.30	0.64
2175RAC	1.53	0.50	1.24	1.65	0.63
2176RAC	1.77	0.49	1.44	1.91	0.62
2178RAC	2.22	0.50	1.90	2.38	0.63
2180RAC	2.93	1.11	2.24	3.05	1.23
2182RAC	3.54	1.11	3.57	3.70	1.23
2184RAC	4.04	1.11	4.07	4.21	1.24
2186RAC	4.54	1.09	4.56	4.80	1.23



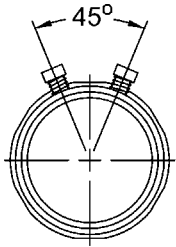
Universal Split Insulating Bushings – Polypropylene						
CATALOG NUMBER	A	B	C	D	E	F
1410USP	2.88	0.55	2.50	3.00	0.78	3.25
1412USP	3.50	0.80	3.00	3.50	1.05	3.75
1414USP	4.00	0.80	3.50	4.00	1.05	4.25
1416USP	4.50	0.80	4.00	4.50	1.05	4.75

A = Thread I.D.  
 B = Inner thread depth  
 C = Throat I.D.  
 D = Diameter  
 E = Length  
 F = Max. width

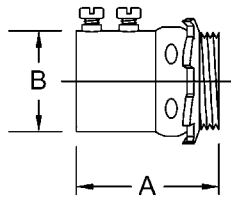


## DETAILED DRAWINGS

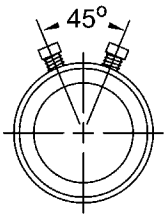
### RIGID AND IMC CONNECTORS & COUPLINGS



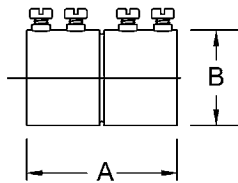
2" size



1-1/2" or smaller  
single set screw



2-1/2" - 4" sizes  
2 Set Screws  
45° Both Ends



1" or smaller  
1 - Screw Both Ends

#### Set Screw Connectors

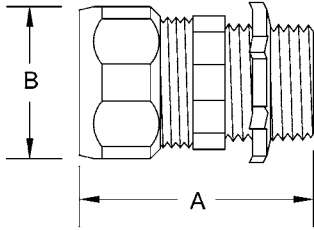
CATALOG NUMBER	A	B	THREAD SPEC.
3002	1-1/8"	1-1/8"	1/2"-14 NPS
3003	1-1/4"	1-3/8"	3/4"-14 NPS
3004	1-1/2"	1-5/8"	1"-11-1/2 NPS
3005	1-3/4"	2"	1-1/4"-11-1/2 NPS
3006	1-7/8"	2-1/4"	1-1/2"-11-1/2 NPS
3008	2"	2-3/4"	2"-11-1/2 NPS

#### Set Screw Couplings

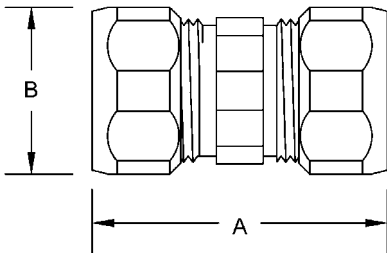
CATALOG NUMBER	A	B
3022	1-1/2"	1-1/8"
3023	1-1/2"	1-3/8"
3024	1-7/8"	1-5/8"
3025	1-3/16"	2"
3026	2-5/8"	2-1/4"
3028	2-3/4"	2-3/4"

A = Overall length  
B = Body O.D.

**RIGID COMPRESSION CONNECTORS**



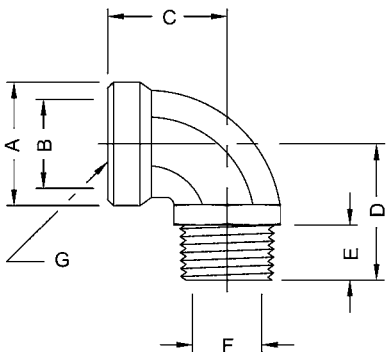
Connectors				
INSULATED CAT. NUMBER	UNINSULATED CAT. NUMBER	A	B	THREAD SPEC.
3802RAC	1802	1-11/32"	1-11/64"	1/2"-14 NPS
3803RAC	1803	1-31/64"	1-7/16"	3/4"-14 NPS
3804RAC	1804	1-37/64"	1-3/4"	1"-11-1/2 NPS
3805RAC	1805	1-55/64"	2-5/32"	1-1/4"-11-1/2 NPS
3806RAC	1806	1-15/16"	2-3/8"	1-1/2"-11-1/2 NPS
3808RAC	1808	2-7/32"	2-7/8"	2"-11-1/2 NPS
—	1810	4"	4-9/64"	2-1/2"- 8 NPS
—	1812	4-5/16"	4-23/32"	3"- 8 NPS
—	1814	4-3/8"	5-3/8"	3-1/2"- 8 NPS
—	1816	4-1/2"	5-29/32"	4"- 8 NPS



Couplings		
CATALOG NUMBER	A	B
1822	1-3/4"	1-3/16"
1823	1-13/16"	1-7/16"
1824	1-61/64"	1-3/4"
1825	2-21/32"	2-5/32"
1826	2-45/64"	2-3/8"
1828	2-15/16"	3-3/8"
1830	5-3/4"	3-15/16"
1832	5-3/4"	4-21/32"
1834	6"	5-13/64"
1836	6-13/16"	5-3/4"

A = Overall length  
B = Compression nut O.D.

**RIGID SHORT ELBOWS**

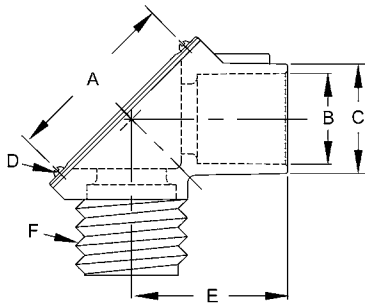


90° Short Elbows							
CATALOG NUMBER	A	B	C	D	E	F	G THREAD SPEC.
1722	1-5/64"	3/4"	1-1/16"	1-17/32"	1/2"	39/64"	1/2"-14 NPS
1723	1-9/32"	61/64"	1-9/32"	1-15/32"	9/16"	13/16"	3/4"-14 NPS

A = Hub O.D.  
B = Hub I.D.  
C = Length to end of hub  
D = Length to end of thread  
E = Thread length  
F = Throat I.D.  
G = Thread spec

**DETAILED DRAWINGS**

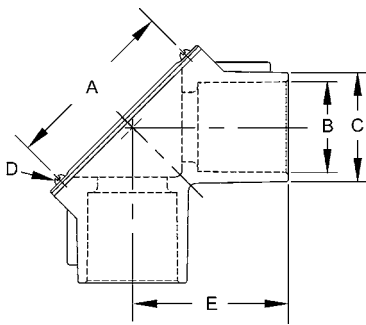
**RIGID HANDY ELLS**



**90° Handy Ells Threaded - Connectors**

CATALOG NUMBER	A	B	C	D	E	F
2662	1-1/2"	1/2"-14 NPSM	1"	8 - 32 x 1/4"	1-5/16"	1/2"-14 NPSM
2663	1-13/16"	3/4"-14 NPSM	1-15/64"	8 - 32 x 1/4"	1-13/32"	3/4"-14 NPSM
2664RAC	2-51/64"	1"-11-1/2 NPSM	1-35/64"	8 - 32 x 1/4"	1-27/32"	1"-11-1/2 NPSM

A = Distance between cover screws  
 B = Threaded hub end  
 C = Body O.D.  
 D = Screw size and length  
 E = Length to end of body  
 F = Threaded hub

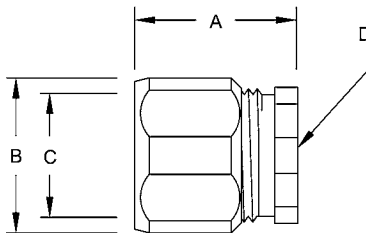


**90° Handy Ells Threaded - Couplings**

CATALOG NUMBER	A	B	C	D	E
2652	1-1/2"	1/2"-14 NPSM	1"	8 - 32 x 1/4"	1-5/16"
2653	1-13/16"	3/4"-14 NPSM	1-15/64"	8 - 32 x 1/4"	1-13/32"
2654	2-51/64"	1"-11-1/2 NPSM	1-35/64"	8 - 32 x 1/4"	1-27/32"
2655	2-27/32"	1-1/4"-11-1/2 NPSM	1-59/64"	8 - 32 x 1/4"	2-1/64"

A = Distance between cover screws  
 B = Threaded hub  
 C = Body O.D.  
 D = Screw size and length  
 E = Length to end of body

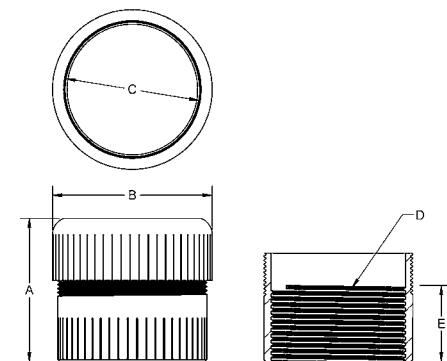
**RIGID THREE-PIECE COUPLINGS**



**Three-Piece Couplings**

CATALOG NUMBER	A	B	C	D THREAD SPEC.
1502	1-3/32"	1-7/32"	49/64"	1/2"-14 NPT
1503	1-1/8"	1-7/16"	31/32"	3/4"-14 NPT
1504	1-3/8"	1-3/4"	1-7/32"	1"-11-1/2 NPT
1505	1-11/16"	2-5/32"	1-9/16"	1-1/4"-11-1/2 NPT
1506	2-17/64"	2-3/4"	1-13/16"	1-1/2"-11-1/2 NPT
1508	2-13/32"	3-3/8"	2-9/32"	2"-11-1/2 NPT
1510	3-1/8"	4-1/16"	2-3/4"	2-1/2" - 8 NPT
1512	3-3/8"	4-17/32"	3-3/8"	3" - 8 NPT
1514	3-43/64"	5-3/16"	3-7/8"	3-1/2" - 8 NPT
1516	3-15/32"	5-3/4"	4-3/8"	4" - 8 NPT
1520	4-3/32"	6-3/4"	5-7/16"	5" - 8 NPT
1524	4-17/64"	8-1/16"	6-1/2"	6" - 8 NPT

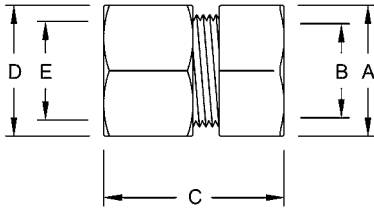
A = Overall length  
 B = O.D. body  
 C = I.D. body  
 D = Thread size



**Three-Piece Super Couplings**

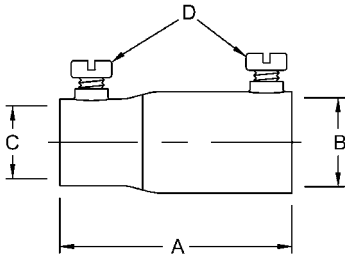
CATALOG NUMBER	A	B	C	D	E
1530RAC	3-1/8"	3-7/16"	2-15/16"	2-1/2 - 8 NPT	1-5/8"
1532RAC	3-5/16"	4-1/16"	3-1/2"	3 - 8 NPT	1-3/4"
1534RAC	3-1/2"	4-9/16"	4-1/16"	3-1/2 - 8 NPT	1-3/4"
1536RAC	3-9/16"	5-1/8"	4-1/2"	4 - 8 NPT	1-3/4"

A = Overall length  
 B = O.D. body  
 C = I.D. body  
 D = Thread Spec. Internal  
 E = Thread Length Internal

**RIGID COMBINATION COUPLINGS**

**Rigid - EMT Couplings Threaded/Compression**

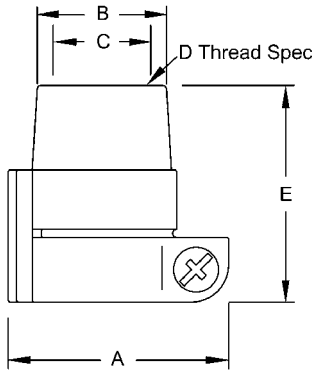
CATALOG NUMBER	A	B	C	D	E
1352	1-5/32"	3/4"	1-7/16"	1-1/8"	23/32"
1353	1-3/8"	31/32"	1-17/32"	1-3/8"	15/16"
1354	1-21/32"	1-7/32"	1-5/8"	1-43/64"	1-11/64"

A = Nut O.D.  
 B = Nut I.D.  
 C = Overall length  
 D = O.D. of Hub  
 E = Throat I.D.


**Rigid - EMT Couplings Set Screw**

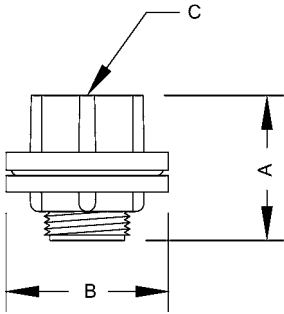
CATALOG NUMBER	A	B	C	D THREAD SPEC.
1432	2-13/64"	55/64"	23/32"	1/4-28 x 3/8" Pan Head
1433	2-21/32"	1-1/16"	59/64"	1/4-28 x 3/8" Pan Head
1434	3-1/16"	1-21/64"	1-11/64"	1/4-28 x 3/8" Pan Head

A = Overall length  
 B = I.D. rigid side  
 C = I.D. EMT side  
 D = Screw spec


**Rigid - Flex Couplings**

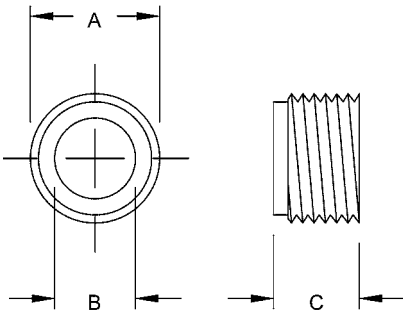
CATALOG NUMBER	A	B	C	D THREAD SPEC.	E
1552	1-43/64"	1-13/64"	3/4"	1/2"-14 NPT	1-1/2"
1553	1-7/8"	1-23/64"	31/32"	3/4"-14 NPT	1-3/4"
1554	2-5/16"	1-21/32"	1-7/32"	1"-11-1/2 NPT	1-53/64"

A = Width across flex side  
 B = Hub O.D.  
 C = Hub I.D.  
 D = Thread spec hub  
 E = Overall length

**DETAILED DRAWINGS**
**RIGID THREADED HUBS**

**Threaded Hubs Insulated Throat**

CATALOG NUMBER	A	B	C
1702	1.500"	1.437"	1/2"-14 NPT
1703	1.510"	1.685"	3/4"-14 NPT
1704	1.812"	1.921"	1"-11-1/2 NPT
1705	1.877"	2.370"	1-1/4"-11-1/2 NPT
1706	1.920"	2.745"	1-1/2"-11-1/2 NPT
1708	1.895"	3.236"	2"-11-1/2 NPT
1710	2.605"	3.708"	2-1/2"-8 NPT
1712	2.615"	4.370"	3"-8 NPT
1714	2.570"	4.941"	3-1/2"-8 NPT
1716	2.590"	5.450"	4"-8 NPT

A = Overall length  
 B = O.D.  
 C = Thread size

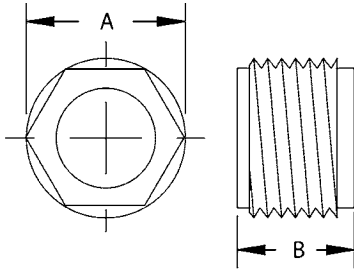
**RIGID REDUCING BUSHINGS**

**Reducing Bushings**

CATALOG NUMBER	A	THREAD SPEC.	B	THREAD SPEC.	C
1141	13/16"	1/2"-14 NPS	1/2"	3/8"-18 NPS	17/32"
1142	1-1/64"	3/4"-14 NPS	39/64"	1/2"-14 NPS	9/16"
1143	1-9/32"	1"-11-1/2 NPS	39/64"	1/2"-14 NPS	5/8"
1144	1-9/32"	1"-11-1/2 NPS	13/16"	3/4"-14 NPS	5/8"
1145	1-5/8"	1-1/4"-11-1/2 NPS	39/64"	1/2"-14 NPS	11/16"
1146	1-5/8"	1-1/4"-11-1/2 NPS	13/16"	3/4"-14 NPS	11/16"
1147	1-5/8"	1-1/4"-11-1/2 NPS	1-3/64"	1"-11-1/2 NPS	11/16"
1148	1-7/8"	1-1/2"-11-1/2 NPS	39/64"	1/2"-14 NPS	23/32"
1149	1-7/8"	1-1/2"-11-1/2 NPS	13/16"	3/4"-14 NPS	23/32"
1150	1-7/8"	1-1/2"-11-1/2 NPS	1-3/64"	1"-11-1/2 NPS	23/32"
1151	1-7/8"	1-1/2"-11-1/2 NPS	1-11/32"	1-1/4"-11-1/2 NPS	23/32"
1152	2-21/64"	2"-11-1/2 NPS	39/64"	1/2"-14 NPS	27/32"
1153	2-21/64"	2"-11-1/2 NPS	1-13/16"	3/4"-14 NPS	27/32"
1154	2-21/64"	2"-11-1/2 NPS	1-3/64"	1"-11-1/2 NPS	27/32"
1155	2-21/64"	2"-11-1/2 NPS	1-11/32"	1-1/4"-11-1/2 NPS	27/32"
1156	2-21/64"	2"-11-1/2 NPS	1-19/32"	1-1/2"-11-1/2 NPS	27/32"

A = O.D./thread size  
 B = Throat I.D./thread size  
 C = Thickness



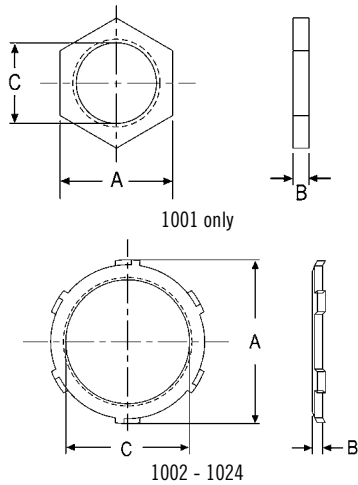
**RIGID REDUCING BUSHINGS**



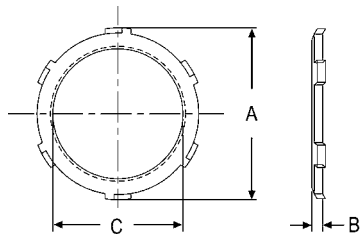
Reducing Bushings				
CATALOG NUMBER	A	THREAD SPEC.	B	THREAD SPEC.
1160	2-7/8"	2-1/2" - 8 NPT	1-5/16"	1-1/4"-11-1/2 NPT
1161	2-7/8"	2-1/2" - 8 NPT	1-5/16"	1-1/2"-11-1/2 NPT
1162	2-7/8"	2-1/2" - 8 NPT	1-5/16"	2"-11-1/2 NPT
1168	3-7/16"	3" - 8 NPT	1-5/16"	2"-11-1/2 NPT
1169	3-7/16"	3" - 8 NPT	1-9/16"	2-1/2" - 8 NPT
1175	4"	3-1/2" - 8 NPT	1-1/2"	2"-11-1/2 NPT
1176	4"	3-1/2" - 8 NPT	1-9/16"	2-1/2" - 8 NPT
1177	4"	3-1/2" - 8 NPT	1-5/8"	3" - 8 NPT
1185	4-7/16"	4" - 8 NPT	1-9/16"	3" - 8 NPT
1186	4-7/16"	4" - 8 NPT	1-3/4"	3-1/2" - 8 NPT

A = O.D./thread size  
B = Thickness

**RIGID LOCKNUTS**



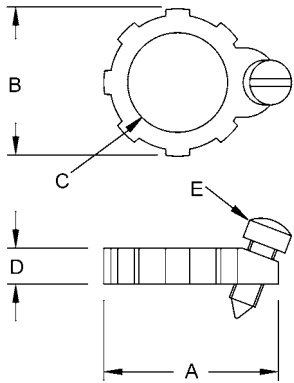
Locknuts			
CATALOG NUMBER	A	B	C
1001	0.850"	0.125"	3/8" NPSL - 18
1002	1.130"	0.125"	1/2" - 14
1003	1.390"	0.125"	3/4" - 14
1004	1.705"	0.170"	1" - 11.5
1005	2.065"	0.170"	1-1/4" - 11.5
1006	2.360"	0.170"	1-1/2" - 11.5
1008	2.860"	0.170"	2" - 11.5
1010	3.430"	0.170"	2-1/2" - 8
1012	4.110"	0.170"	3" - 8
1014	4.690"	0.170"	3-1/2" - 8
1016	5.265"	0.170"	4" - 8
1020	6.530"	0.314"	5" - 8
1024	7.850"	0.314"	6" - 8



Non-UL Locknuts			
CATALOG NUMBER	A	B	C
1192	1.13"	0.098"	1/2" - 14
1193	1.39"	0.098"	3/4" - 14
1194	1.70"	0.125"	1" - 11.5
1195	2.06"	0.125"	1-1/4" - 11.5
1196	2.36"	0.125"	1-1/2" - 11.5
1198	2.86"	0.125"	2" - 11.5
1197	3.43"	0.170"	2-1/2" - 8
1199	4.11"	0.170"	3" - 8
1200	4.69"	0.170"	3-1/2" - 8
1201	5.26"	0.170"	4" - 8
1219	6.53"	0.314"	5" - 8
1220	7.85"	0.314"	6" - 8

**DETAILED DRAWINGS**

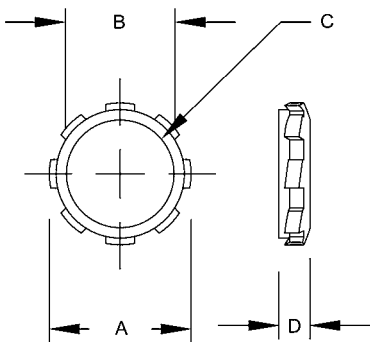
**RIGID LOCKNUTS**



**Bonding Locknuts**

CATALOG NUMBER	A	B	C THREAD SPEC.	D	E
1242	1.35"	1.04"	1/2"-14 NPT	.20"	6-32 x 1/2"
1243	1.58"	1.29"	3/4"-14 NPT	.20"	6-32 x 1/2"
1244	1.88"	1.59"	1"-11-1/2 NPT	.22"	6-32 x 1/2"
1245	2.30"	1.95"	1-1/4"-11-1/2 NPT	.23"	8-24 x 1/2"
1246	2.60"	2.23"	1-1/2"-11-1/2 NPT	.23"	8-24 x 1/2"
1248	3.09"	2.73"	2"-11-1/2 NPT	.26"	8-24 x 1/2"
1250	3.52"	3.31"	2-1/2"- 8 NPT	.45"	8-24 x 31/32"
1252	4.19"	4.00"	3"- 8 NPT	.45"	8-24 x 31/32"
1254	4.74"	4.52"	3-1/2"- 8 NPT	.45"	8-24 x 31/32"
1256	5.39"	5.05"	4"- 8 NPT	.45"	8-24 x 31/32"

A = Overall length  
 B = O.D.  
 C = Thread size  
 D = Thickness  
 E = Screw spec

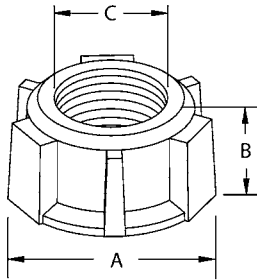


**Sealing Locknuts**

CATALOG NUMBER	A	B	C THREAD SPEC.	D
1202	1-9/64"	25/32"	1/2"-14 NPT	7/32"
1203	1-25/64"	63/64"	3/4"-14 NPT	15/64"
1204	1-23/32"	1-17/64"	1"-11-1/2 NPT	1/4"
1205	2-5/64"	1-37/64"	1-1/4"-11-1/2 NPT	9/32"
1206	2-3/8"	1-13/16"	1-1/2"-11-1/2 NPT	19/64"
1208	2-29/32"	2-5/16"	2"-11-1/2 NPT	19/64"
1207	3-15/32"	2-51/64"	2-1/2"- 8 NPT	5/16"
1209	4-3/16"	3-27/64"	3"- 8 NPT	3/8"
1210	4-11/16"	3-15/16"	3-1/2"- 8 NPT	3/8"
1211	5-9/32"	4-13/32"	4"- 8 NPT	3/8"

A = O.D.  
 B = I.D.  
 C = Thread size  
 D = Thickness

### RIGID BUSHINGS

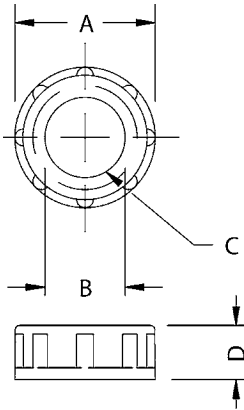


Bushings			
CATALOG NUMBER	A	B	C THROAT DIA.
1102RAC	1-5/32"	9/16"	5/8"
1103	1-13/32"	9-16"	53/64"
1104	1-3/4"	21/32"	1-1/32"
1105	2-1/8"	21/32"	1"
1106	2-11/32"	23/32"	1-39/64"
1108	2-23/32"	23/32"	2-3/64"
1110	3-9/32"	15/16"	2-29/64"
1112	3-7/8"	15/16"	3-3/64"
1114	4-13/32"	15/16"	3-17/32"
1116	4-29/32"	15/16"	4-1/16"

A = O.D.

B = Thickness

C = I.D.



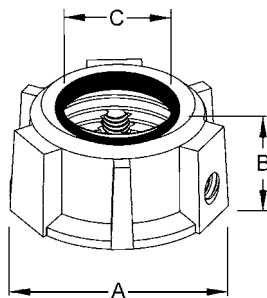
Insulating Bushings				
CATALOG NUMBER	A	B	C THREAD SPEC.	D
1402	1-1/16"	19/32"	1/2"-14 NPT	23/64"
1403	1-19/64"	25/32"	3/4"-14 NPT	13/32"
1404	1-5/8"	1"	1"-11-1/2 NPT	31/64"
1405	1-61/64"	1-9/64"	1-1/4"-11-1/2 NPT	31/64"
1406	2-3/16"	1-33/64"	1-1/2"-11-1/2 NPT	31/64"
1408	2-41/64"	1-61/64"	2"-11-1/2 NPT	35/64"
1410	3-1/4"	2-21/64"	2-1/2"- 8 NPT	5/8"
1412	3-29/32"	2-29/32"	3"- 8 NPT	11/16"
1414	4-13/32"	3-11/32"	3-1/2"- 8 NPT	11/16"
1416	4-15/16"	3-53/64"	4"- 8 NPT	11/16"
1420	5-63/64"	4-15/16"	5"- 8 NPT	49/64"
1424	7-1/16"	5-15/16"	6"- 8 NPT	49/64"

A = O.D.

B = I.D.

C = Thread size

D = Thickness



Insulated Bushings			
CATALOG NUMBER	A	B	C THROAT DIA.
1132	1-5/32"	9/16"	37/64"
1133	1-13/32"	9/16"	49/64"
1134	1-3/4"	21/32"	31/32"
1135	2-1/8"	21/32"	1-9/32"
1136	2-11/32"	23/32"	1-1/2"
1138	2-23/32"	23/32"	1-61/64"
1126	3-9/32"	15/16"	2-19/64"
1127	3-7/8"	15/16"	2-29/32"
1128	4-13/32"	15/16"	3-3/8"
1129	4-29/32"	15/16"	3-55/64"

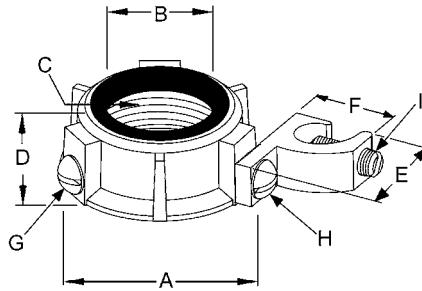
A = O.D.

B = Thickness

C = I.D.

**DETAILED DRAWINGS**

**RIGID INSULATED GROUNDING BUSHINGS**



**150 Degree Insulated Grounding Bushings - Lay-in Lug**

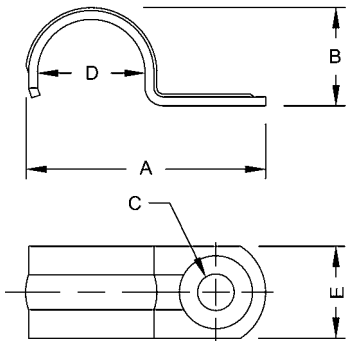
CATALOG NUMBER	A	B	C	D	E	F	G SET SCREW	H PAN HEAD SCREW	I SET SCREW
1212	1-5/32"	9/16"	1/2"-14 NPS	37/64"	1-1/16"	3/8"	10-32 x 1/4"	10-32 x 1/4"	14-28 x 5/8"
1213	1-13/32"	9/16"	3/4"-14 NPS	3/4"	1-1/16"	3/8"	10-32 x 1/4"	10-32 x 1/4"	14-28 x 5/8"
1214	1-3/4"	21/32"	1"-11-1/2 NPS	31/32"	1-1/16"	3/8"	10-32 x 1/4"	10-32 x 1/4"	14-28 x 5/8"
1215	2-1/8"	21/32"	1-1/4"-11-1/2 NPS	1-9/32"	1-1/16"	3/8"	10-32 x 1/4"	10-32 x 1/4"	14-28 x 5/8"
1216	2-11/32"	23/32"	1-1/2"-11-1/2 NPS	1-1/2"	1-1/16"	3/8"	10-32 x 1/4"	10-32 x 1/4"	14-28 x 5/8"
1218	2-23/32"	23/32"	2"-11-1/2 NPS	1-61/64"	1-1/16"	3/8"	10-32 x 1/4"	10-32 x 1/4"	14-28 x 5/8"
1290	3-9/32"	15/16"	2-1/2"- 8 NPS	2-19/64"	1-1/2"	19/32"	10-32 x 5/16"	1/4-20 x 3/8"	3/8-24 x 7/8"
1292RAC	3-7/8"	15/16"	3"- 8 NPS	2-29/32"	1-1/2"	19/32"	10-32 x 5/16"	1/4-20 x 3/8"	3/8-24 x 7/8"
1294	4-13/32"	15/16"	3-1/2"- 8 NPS	3-3/8"	2-13/64"	51/64"	5/16-24 x 3/8"	5/16-24 x 17/32"	9/16-18 x 1-1/4"
1296	4-29/32"	15/16"	4"- 8 NPS	3-55/64"	2-13/64"	51/64"	5/16-24 x 7/16"	5/16-24 x 17/32"	9/16-18 x 1-1/4"
1262DC	1-5/32"	9/16"	1/2"-14 NPS	37/64"	1-1/16"	3/8"	10-32 x 1/4"	10-32 x 1/4"	14-28 x 5/8"
1263DC	1-13/32"	9/16"	3/4"-14 NPS	3/4"	1-1/16"	3/8"	10-32 x 1/4"	10-32 x 1/4"	14-28 x 5/8"
1264DC	1-3/4"	21/32"	1"-11-1/2 NPS	31/32"	1-1/16"	3/8"	10-32 x 1/4"	10-32 x 1/4"	14-28 x 5/8"

**150 Degree Insulated Grounding Bushings - Feed-thru Lug**

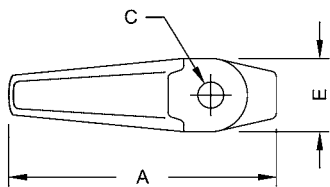
1222	1-5/32"	9/16"	1/2"-14 NPS	37/64"	1-1/16"	1/2"	10-32 x 1/4"	10-32 x 7/32"	14-28 x 3/8"
1223	1-13/32"	9/16"	3/4"-14 NPS	49/64"	1-1/16"	1/2"	10-32 x 1/4"	10-32 x 7/32"	14-28 x 3/8"
1224	1-3/4"	21/32"	1"-11-1/2 NPS	31/32"	1-1/16"	1/2"	10-32 x 1/4"	10-32 x 1/4"	14-28 x 3/8"
1225	2-1/8"	21/32"	1-1/4"-11-1/2 NPS	1-9/32"	1-1/16"	1/2"	10-32 x 1/4"	10-32 x 1/4"	14-28 x 3/8"
1226	2-11/32"	23/32"	1-1/2"-11-1/2 NPS	1-1/2"	1-1/16"	1/2"	10-32 x 1/4"	10-32 x 1/4"	14-28 x 3/8"
1228	2-23/32"	23/32"	2"-11-1/2 NPS	1-61/64"	1-1/16"	1/2"	10-32 x 1/4"	10-32 x 1/4"	14-28 x 3/8"
1230	3-9/32"	15/16"	2-1/2"- 8 NPS	2-19/64"	1-15/32"	5/8"	5/16-24 x 3/8"	5/16-24 x 3/8"	7/16-20 x 3/8"
1232RAC	3-7/8"	15/16"	3"- 8 NPS	2-29/32"	1-15/32"	5/8"	5/16-24 x 3/8"	5/16-24 x 3/8"	7/16-20 x 3/8"
1234	4-13/32"	15/16"	3-1/2"- 8 NPS	3-3/8"	1-3/4"	27-32"	5/16-24 x 3/8"	5/16-24 x 27/64"	5/8-18 x 11/16"
1236	4-29/32"	15/16"	4"- 8 NPS	3-55/64"	1-3/4"	27-32"	5/16-24 x 7/16"	5/16-24 x 27/64"	5/8-18 x 11/16"

A = O.D.  
 B = I.D.  
 C = Thread size  
 D = Thickness  
 E = Height of lug

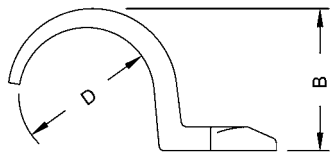
F = Width of lug  
 G = Screw spec, bonding screw  
 H = Screw spec, screw that holds lug to bushing  
 I = Screw spec, screw that holds ground wire

**RIGID STRAPS**

**One-Hole Push-on Straps**

CATALOG NUMBER	A	B	C	D	E
1332	1-59/64"	7/8"	9/32"	55/64"	7/8"
1333	2-5/16"	1-3/32"	9/32"	1-1/16"	3/4"
1334	2-11/16"	1-1/4"	9/32"	1-5/16"	3/4"
1335	3-1/8"	1-5/8"	11/32"	1-5/8"	7/8"
1336	3-27/32"	1-7/8"	13/32"	1-15/16"	7/8"
1338	4-9/16"	2-7/16"	13/32"	2-3/8"	7/8"
1337	5-5/16"	3"	21/32"	2-7/8"	1-1/4"
1339	6-1/16"	3-9/16"	21/32"	3-1/2"	1-1/4"
1340	6-7/8"	3-7/8"	21/32"	4"	1-1/4"
1341	7-3/8"	4-1/4"	21/32"	4-1/2"	1-1/4"

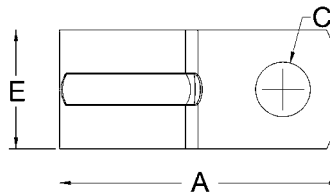

**One-Hole Straps**

CATALOG NUMBER	A	B	C	D	E
1301	1-7/8"	25/32"	11/32"	11/16"	21/32"
1302	2-1/64"	31/32"	9/32"	27/32"	5/8"
1303	2-7/32"	1-1/32"	5/16"	1-1/16"	3/4"
1304	2-23/32"	1-5/16"	23/64"	1-5/16"	29/32"
1305	3-1/32"	1-25/32"	13/32"	1-21/32"	51/64"
1306	3-27/32"	2-5/64"	27/64"	1-29/32"	1-1/16"
1308	4-1/2"	2-35/64"	9/16"	2-3/8"	1-13/32"
1310	5-3/8"	3-1/32"	35/64"	2-7/8"	1-5/16"
1312	6-39/64"	3-25/32"	9/16"	3-1/2"	1-31/64"
1314	7-7/8"	4-13/32"	45/64"	4"	2"
1316	8-15/64"	4-27/32"	3/4"	4-1/2"	2"


**One-Hole Straps**

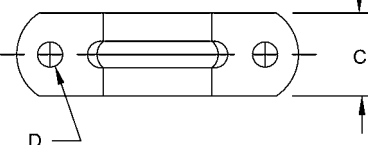
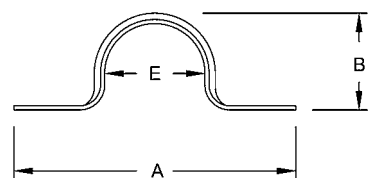
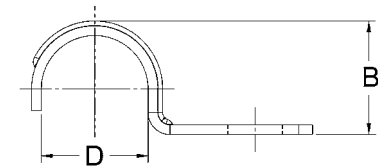
CATALOG NUMBER	A	B	C	D	E
2081	1.347"	.545"	.262"	.512"	.570"

A = Overall length      C = Hole size      E = Width of strap  
 B = Height                  D = Diameter


**Two-Hole Straps**

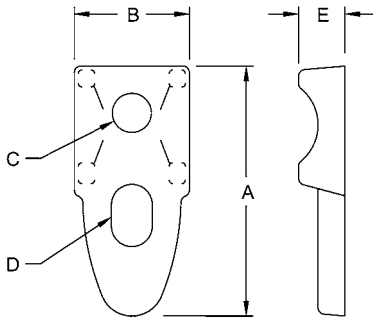
CATALOG NUMBER	A	B	C	D	E
2232	2-9/16"	7/8"	19/32"	3/16"	13/16"
2233	2-3/8"	1-1/8"	19/32"	3/16"	1-1/16"
2234	2-15/16"	1-31/32"	23/32"	1/4"	1-5/16"
2235	3-3/4"	1-11/16"	23/32"	1/4"	1-21/32"
2236	4-1/8"	1-7/8"	23/32"	1/4"	1-7/8"
2238	5"	2-7/16"	23/32"	17/64"	2-3/8"
2239	5-3/4"	3-1/8"	1"	5/16"	2-7/8"
2240	6-23/32"	3-11/16"	1"	5/16"	3-35/64"
2241	7-1/2"	3-15/16"	1"	5/16"	4-3/64"
2242	7-7/8"	4-11/16"	1"	5/16"	4-35/64"
2245-2	10-11/16"	5-43/64"	1-1/4"	21/32"	5-49/64"
2246-2	12-9/64"	6-19/32"	1-1/4"	21/32"	7"

A = Overall length      C = Strap width      E = Diameter  
 B = Overall height      D = Hole diameter



**DETAILED DRAWINGS**

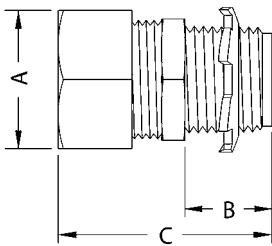
**RIGID CLAMPBACKS**



Clamp Backs					
CATALOG NUMBER	A	B	C	D	E
1342	2-19/64"	1-1/32"	23/64"	3/8" x 9/16"	27/64"
1343	2-7/16"	1-11/64"	29/64"	27/64" x 21/32"	29/64"
1344	3-1/64"	1-17/64"	3/8"	33/64" x 23/32"	17/32"
1345	3-17/32"	1-19/32"	19/32"	1/2" x 47/64"	35/64"
1346	3-29/32"	1-39/64"	9/16"	9/16" x 15/16"	1/2"
1348	4-27/32"	1-63/64"	9/16"	37/64" x 25/32"	59/64"
1347	5-3/4"	2-13/32"	37/64"	39/64" x 1-1/4"	53/64"
1349	6-47/64"	2-5/8"	33/64"	19/32" x 1-15/64"	27/32"
1350	7-21/32"	3-17/64"	19/32"	43/64" x 1-7/64"	61/64"
1351	8-5/64"	3-7/16"	33/64"	7/8" x 1-19/64"	1-1/32"

A = Overall length  
 B = Width  
 C = Hole diameter  
 D = Slot size  
 E = Height

**LIQUIDTIGHT CONDUIT AND CORD CONNECTORS**

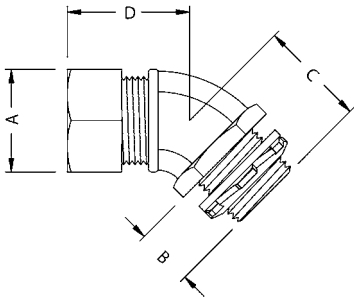


Straight Connectors					
INSULATED CATALOG NO.	UNINSULATED CATALOG NO.	A	B	THREAD SPEC.	C
3511RAC	—	1-1/16"	1/2"	1/2"-14 NPT	1-29/64"
—	3401	1-1/16"	1/2"	1/2"-14 NPT	1-29/64"
—	3401-8	1-1/16"	1/2"	1/2"-14 NPT	1-29/64"
3512RAC	3402	1-3/16"	1/2"	1/2"-14 NPT	1-15/32"
3512-8	3402-8	1-3/16"	1/2"	1/2"-14 NPT	1-15/32"
3513RAC	3403	1-13/32"	9/16"	3/4"-14 NPT	1-31/64"
3513-8	3403-8	1-13/32"	9/16"	3/4"-14 NPT	1-31/64"
3514RAC	3404	1-45/64"	19/32"	1"-11-1/2 NPT	1-51/64"
3514-8	3404-8	1-45/64"	19/32"	1"-11-1/2 NPT	1-51/64"
3515RAC	3405	2-3/16"	43/64"	1-1/4"-11-1/2 NPT	1-7/8"
3516	3406	2-13/32"	47/64"	1-1/2"-11-1/2 NPT	2-11/64"
3518	3408	3-1/32"	21/32"	2"-11-1/2 NPT	2-9/32"
3520	3410	3-5/8"	1"	2-1/2"- 8 NPT	3-5/16"
3522	3412	3-3/8"	1-3/64"	3"- 8 NPT	3-1/2"
3524	3414	3-31/32"	1-1/8"	3-1/2"- 8 NPT	3-5/8"
3526	3416	5-35/64"	1-5/32"	4"- 8 NPT	3-5/8"

A = Nut Flats  
 B = Thread length and thread spec.  
 C = Overall Length

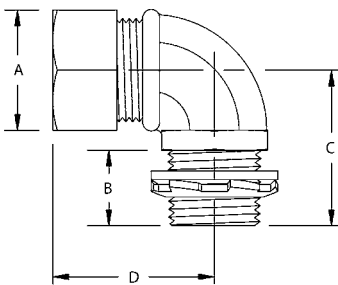


### LIQUIDTIGHT CONDUIT AND CORD CONNECTORS



#### 45° Connectors

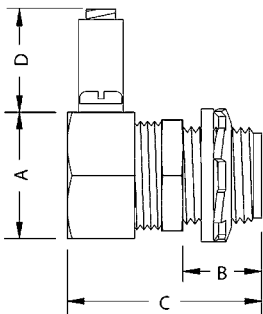
INSULATED CATALOG NO.	UNINSULATED CATALOG NO.	A	B	THREAD SPEC.	C	D
3561	3441	1-1/16"	17/32"	1/2"-14 NPT	1-3/8"	1-1/32"
3562	3442	1-3/16"	9/16"	1/2"-14 NPT	1-1/4"	1-1/16"
3563	3443	1-13/32"	19/32"	3/4"-14 NPT	1-21/32"	1-3/16"
3564	3444	1-45/64"	5/8"	1"-11-1/2 NPT	1-21/32"	1-13/32"
3565	3445	2-3/16"	23/32"	1-1/4"-11-1/2 NPT	1-13/16"	1-1/2"
3566	3446	2-3/8"	47/64"	1-1/2"-11-1/2 NPT	2"	1-9/16"
3568	3448	3-1/32"	49/64"	2"-11-1/2 NPT	2-3/8"	1-3/4"



#### 90° Connectors

INSULATED CATALOG NO.	UNINSULATED CATALOG NO.	A	B	THREAD SPEC.	C	D
3541RAC	3421	1-3/64"	35/64"	1/2"-14 NPT	1-3/8"	1-7/16"
—	3421-8	1-3/64"	35/64"	1/2"-14 NPT	1-3/8"	1-7/16"
3542	3422	1-11/64"	9/16"	1/2"-14 NPT	1-13/32"	1-5/8"
3542-8	3422-8	1-11/64"	9/16"	1/2"-14 NPT	1-13/32"	1-5/8"
3543	3423	1-13/32"	37/64"	3/4"-14 NPT	1-5/8"	1-7/8"
3543-8	3423-8	1-13/32"	37/64"	3/4"-14 NPT	1-5/8"	1-7/8"
3544	3424	1-45/64"	41/64"	1"-11-1/2 NPT	1-15/16"	2-1/8"
3544-8	3424-8	1-45/64"	41/64"	1"-11-1/2 NPT	1-15/16"	2-1/8"
3545	3425	2-3/16"	21/32"	1-1/4"-11-1/2 NPT	2-1/64"	2-1/4"
3546	3426	2-13/32"	49/64"	1-1/2"-11-1/2 NPT	2-1/4"	2-5/8"
3548	3428	3-1/32"	3/4"	2"-11-1/2 NPT	2-15/32"	3"
3550	3430	3-45/64"	1-1/32"	2-1/2"- 8 NPT	3-11/32"	5"
3552	3432	4-13/32"	1-1/16"	3"- 8 NPT	4-25/32"	5-7/16"
3556	3436	5-17/32"	1-3/16"	4"- 8 NPT	5-15/64"	6"

A = Nut Flats  
 B = Thread length and thread spec.  
 C = Thread to bend  
 D = Nut to bend



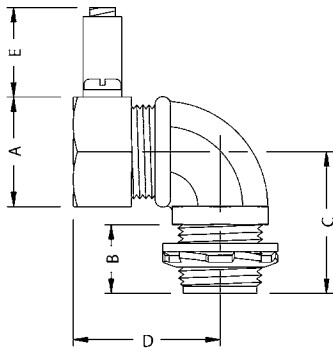
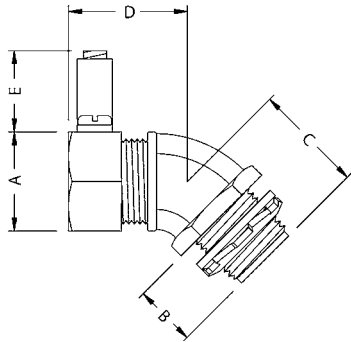
#### Straight Connectors with Ground Lug

INSULATED CATALOG NO.	A	B	THREAD SPEC.	C	D
3511-3	1-1/16"	1/2"	1/2"-14 NPT	1-29/64"	25/32"
3512-3	1-3/16"	1/2"	1/2"-14 NPT	1-15/32"	25/32"
3513-3	1-13/32"	9/16"	3/4"-14 NPT	1-31/64"	25/32"
3514-3	1-45/64"	19/32"	1"-11-1/2 NPT	1-51/64"	25/32"
3515-3	2-3/16"	43/64"	1-1/4"-11-1/2 NPT	1-7/8"	25/32"
3516-3	2-13/32"	47/64"	1-1/2"-11-1/2 NPT	2-11/64"	25/32"
3518-3	3-1/32"	21/32"	2"-11-1/2 NPT	2-9/32"	25/32"
3520-3	3-5/8"	1"	2-1/2"- 8 NPT	3-5/16"	1-11/64"
3522-3	3-3/8"	1-3/64"	3"- 8 NPT	3-1/2"	1-11/64"
3524-3	3-31/32"	1-1/8"	3-1/2"- 8 NPT	3-5/8"	1-13/16"
3526-3	5-35/64"	1-5/32"	4"- 8 NPT	3-5/8"	1-13/16"

A = Nut Flats  
 B = Thread length and thread spec.  
 C = Overall length  
 D = Lug height

**DETAILED DRAWINGS**

LIQUIDTIGHT CONDUIT AND CORD CONNECTORS



**45° Insulated Connectors with Ground Lug**

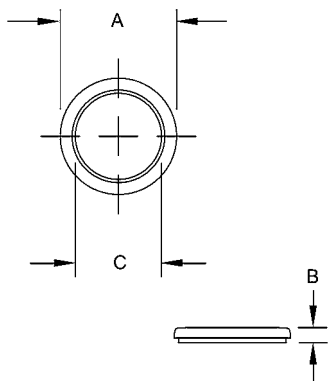
INSULATED CATALOG NO.	A	B	THREAD SPEC.	C	D	E
3561-3	1-1/16"	17/32"	1/2"-14 NPT	1-3/8"	1-1/32"	25/32"
3562-3	1-3/16"	9/16"	1/2"-14 NPT	1-1/4"	1-1/16"	25/32"
3563-3	1-13/32"	19/32"	3/4"-14 NPT	1-21/32"	1-3/16"	25/32"
3564-4	1-45/64"	5/8"	1"-11-1/2 NPT	1-21/32"	1-13/32"	25/32"
3565-3	2-3/16"	23/32"	1-1/4"-11-1/2 NPT	1-13/16"	1-1/2"	25/32"
3566-3	2-3/8"	47/64"	1-1/2"-11-1/2 NPT	2"	1-9/16"	25/32"
3568-3	3-1/32"	49/64"	2"-11-1/2 NPT	2-3/8"	1-3/4"	25/32"

**90° Insulated Connectors with Ground Lug**

INSULATED CATALOG NO.	A	B	THREAD SPEC.	C	D	E
3541-3	1-3/64"	35/64"	1/2"-14 NPT	1-3/8"	1-7/16"	25/32"
3542-3	1-11/64"	9/16"	1/2"-14 NPT	1-13/32"	1-5/8"	25/32"
3543-3	1-13/32"	37/64"	3/4"-14 NPT	1-5/8"	1-7/8"	25/32"
3544-3	1-45/64"	41/64"	1"-11-1/2 NPT	1-15/16"	2-1/8"	25/32"
3545-3	2-3/16"	21/32"	1-1/4"-11-1/2 NPT	2-1/64"	2-1/4"	25/32"
3546-3	2-13/32"	49/64"	1-1/2"-11-1/2 NPT	2-1/4"	2-5/8"	25/32"
3548-3	3-1/32"	3/4"	2"-11-1/2 NPT	2-15/32"	3"	25/32"
3550-3	3-45/64"	1-1/32"	2-1/2"- 8 NPT	3-11/32"	5"	1-11/64"
3552-3	4-13/32"	1-1/16"	3"- 8 NPT	4-25/32"	5-7/16"	1-11/64"
3556-3	5-17/32"	1-3/16"	4"- 8 NPT	5-15/64"	6"	1-13/64"

- A = Nut Flats
- B = Thread length and thread spec.
- C = Thread to bend
- D = Nut to bend
- E = Lug height

SEALING WASHERS

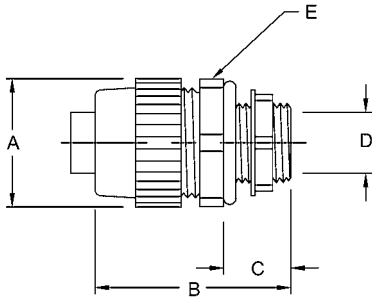


**Sealing Washers - Steel**

CATALOG NUMBER	A	B	C
2452	1-5/64"	5/64"	51/64"
2452-8	1-5/64"	5/64"	51/64"
2453	1-11/32"	5/32"	1"
2453-8	1-11/32"	5/32"	1"
2454	1-5/8"	11/64"	1-1/4"
2454-8	1-5/8"	11/64"	1-1/4"
2455	2"	11/64"	1-39/64"
2456	2-23/64"	3/16"	1-27/32"
2458	2-53/64"	3/16"	2-5/16"

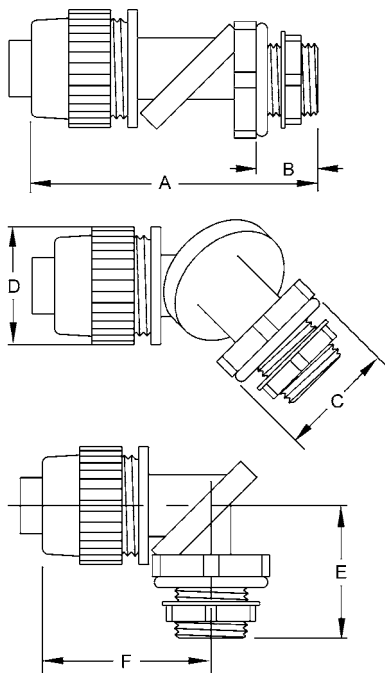
- A = O.D.
- B = Thickness
- C = I.D.

LIQUIDTIGHT CONDUIT AND CORD CONNECTORS



Straight Connectors - Nylon - For Type B Conduit						
CATALOG NUMBER	A	B	C	D	E	
					A/C*	A/F**
4721	1.14"	1.63"	.57"	.42"	1.41"	1.30"
4722	1.30"	2.14"	.57"	.55"	1.41"	1.30"
4722-8	1.30"	2.14"	.57"	.55"	1.41"	1.30"
4723	1.53"	2.22"	.58"	.74"	1.85"	1.53"
4723-8	1.53"	2.22"	.58"	.74"	1.85"	1.53"
4724	1.80"	2.32"	.72"	.96"	1.94"	1.80"
4724-8	1.80"	2.32"	.72"	.96"	1.94"	1.80"
4725	2.20"	2.15"	.74"	1.30"	2.38"	2.18"
4726	2.49"	2.35"	.76"	1.46"	2.63"	2.43"
4728	3.05"	2.51"	.79"	1.90"	3.13"	2.93"

Straight Connectors - Nylon - For Extra Flexible Tubing						
CATALOG NUMBER	A	B	C	D	E	
					A/C*	A/F**
4741	1.14"	1.63"	.57"	.42"	1.41"	1.30"
4742	1.30"	2.14"	.57"	.55"	1.41"	1.30"
4743	1.53"	2.22"	.58"	.74"	1.85"	1.53"
4744	1.80"	2.32"	.72"	.96"	1.94"	1.80"
4745	2.20"	2.15"	.74"	1.30"	2.38"	2.18"
4746	2.49"	2.35"	.76"	1.46"	2.63"	2.43"
4748	3.05"	2.51"	.79"	1.90"	3.13"	2.93"



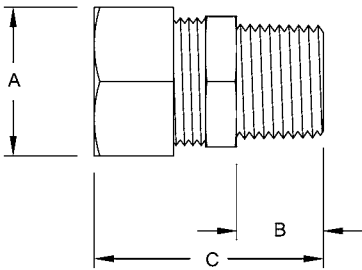
Multi Position Connectors - Nylon - For Extra Flexible Tubing							
CATALOG NUMBER	A	B	C		D	E	F
			A/C*	A/F**			
4731	3.27"	.57"	1.41"	1.30"	1.30"	1.43"	2.00"
4732	3.27"	.57"	1.41"	1.30"	1.30"	1.43"	2.00"
4732-8	3.27"	.57"	1.41"	1.30"	1.30"	1.43"	2.00"
4733	3.66"	.58"	1.65"	1.53"	1.53"	1.59"	2.23"
4733-8	3.66"	.58"	1.65"	1.53"	1.53"	1.59"	2.23"
4734	4.00"	.72"	1.94"	1.80"	1.80"	1.84"	2.30"
4734-8	4.00"	.72"	1.94"	1.80"	1.80"	1.84"	2.30"

Multi Position Connectors - Nylon for Extra Flexible Tubing							
CATALOG NUMBER	A	B	C		D	E	F
			A/C*	A/F**			
4751	3.27"	.57"	1.41"	1.30"	1.30"	1.43"	2.00"
4752	3.27"	.57"	1.41"	1.30"	1.30"	1.43"	2.00"
4753	3.66"	.58"	1.65"	1.53"	1.53"	1.59"	2.23"
4754	4.00"	.72"	1.94"	1.80"	1.80"	1.84"	2.30"

\*A/C = Across corners  
 \*\*A/C = Across flats

**DETAILED DRAWINGS**

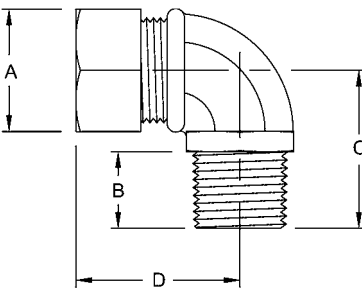
**LIQUIDTIGHT CONDUIT AND CORD CONNECTORS**



**Straight Strain Relief Cord Connectors**

HUB SIZE	FORM SIZE	A	B	THREAD SPEC.	C
1/2"	F1	1-1/16"	1/2"	1/2"-14 NPT	1-29/64"
1/2"	F2	1-3/16"	1/2"	1/2"-14 NPT	1-15/32"
3/4"	F3	1-13/32"	9/16"	3/4"-14 NPT	1-31/64"
1"	F4	1-45/64"	19/32"	1"-11-1/2 NPT	1-51/64"
1-1/4"	F5	2-3/16"	43/64"	1-1/4"-11-1/2 NPT	1-7/8"
1-1/2"	F6	2-13/32"	47/64"	1-1/2"-11-1/2 NPT	2-11/64"

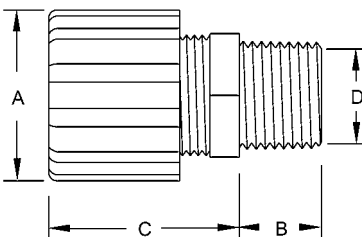
A = Nut Flats  
 B = Thread length and thread spec.  
 C = Overall Length



**90° Strain Relief Cord Connectors**

HUB SIZE	FORM SIZE	A	THREAD SPEC.	B	C	D
1/2"	F1	1-3/64"	1/2"-14 NPT	35/64"	1-3/8"	1-7/16"
1/2"	F2	1-11/64"	1/2"-14 NPT	9/16"	1-13/32"	1-5/8"
3/4"	F3	1-13/32"	3/4"-14 NPT	37/64"	1-5/8"	1-7/8"

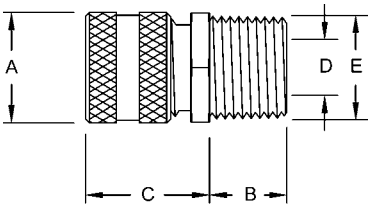
A = Nut Flats  
 B = Thread length and thread spec.  
 C = Thread to bend  
 D = Nut to bend



**Strain Relief Cord Connectors - Nylon**

HUB SIZE	FORM SIZE	A	B	C	D
1/4"	F1	63/64"	7/16"	1-3/32"	21/64"
3/8"	F1	63/64"	7/16"	1-3/32"	7/16"
1/2"	F2	1-1/4"	17/32"	1-1/2"	37/64"
3/4"	F3	1-31/64"	35/64"	1-5/8"	49/64"
1"	F4	1-27/32"	11/16"	1-3/4"	1-1/64"

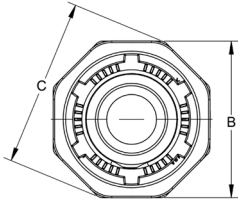
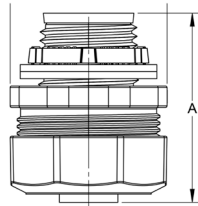
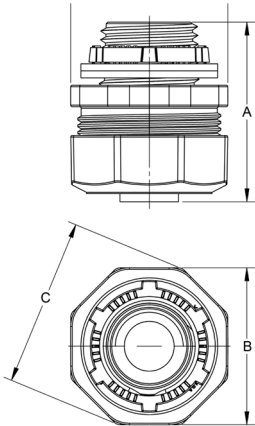
A = Nut O.D.  
 B = Thread length  
 C = Length to shoulder  
 D = Throat I.D.



**Straight Strain Relief Cord Connectors - Aluminum**

HUB SIZE	FORM SIZE	A DIA.	B REF.	C	D	E	
						A/C*	A/F**
1/2"	F1	.88"	.46"	.90"	.44"	1.00"	.88"
1/2"	F2	1.13"	.55"	1.10"	.64"	1.11"	1.00"
1/2"	F3	1.38"	.55"	1.50"	.64"	1.40"	1.25"
3/4"	F2	1.13"	.55"	1.10"	.64"	1.29"	1.13"
3/4"	F3	1.38"	.55"	1.50"	.82"	1.40"	1.25"
1"	F4	1.75"	.71"	1.60"	1.02"	1.81"	1.62"

\*A/C = Across corners      A = Nut O.D.      D = Throat I.D.  
 \*\*A/C = Across flats      B = Thread length      E = Hex  
 C = Length to shoulder

**DIE-CAST ZINC LIQUIDTIGHT CONNECTORS**

**Straight Connector, Insulated**

CATALOG NUMBER	SIZE	A	B	THREAD SPEC.	C	D
3401DC	3/8"	1.47"	1.28"	1/2" - 14 NPT	1.37"	0.61"
3402DC	1/2"	1.40"	1.29"	1/2" - 14 NPT	1.38"	0.61"
3403DC	3/4"	1.43"	1.58"	3/4" - 14 NPT	1.69"	0.82"
3404DC	1"	1.87"	1.84"	1" - 11-1/2 NPT	1.94"	1"
3405DC	1-1/4"	1.88"	2.27"	1 1/4" - 11 1/2 NPT	2.42"	1.36"
3406DC	1-1/2"	1.97"	2.48"	1 1/2" - 11 1/2 NPT	2.64"	1.60"
3408DC	2"	1.95"	3.01"	2" - 11 1/2 NPT	3.25"	2.07"

**Straight Connector, Uninsulated**

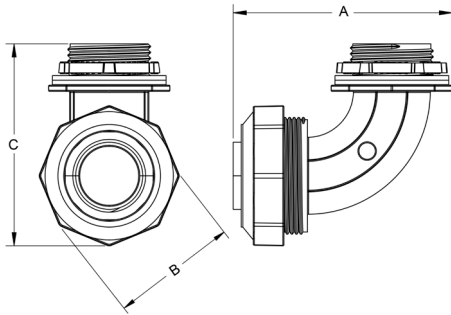
CATALOG NUMBER	SIZE	A	B	THREAD SPEC.	C	D
3511DC	3/8"	1.55"	1.28"	1/2" - 14 NPT	1.37"	0.41"
3512DC	1/2"	1.49"	1.29"	1/2" - 14 NPT	1.38"	0.54"
3513DC	3/4"	1.52"	1.58"	3/4" - 14 NPT	1.69"	0.71"
3514DC	1"	1.95"	1.84"	1" - 11-1/2 NPT	1.94"	0.94"
3515DC	1-1/4"	1.95"	2.27"	1 1/4" - 11-1/2 NPT	2.42"	1.26"
3516DC	1-1/2"	2.05"	2.48"	1 1/2" - 11-1/2 NPT	2.64"	1.41"
3518DC	2"	2.04"	3.01"	2" - 11-1/2 NPT	3.25"	1.89"
3520DC	2-1/2"	3.43"	3.78"	2 1/2" - 8 NPT	4.13"	2.32"
3522DC	3"	3.43"	4.35"	3" - 8 NPT	4.90"	2.95"
3524DC	3-1/2"	4.08"	4.85"	3 1/2" - 8 NPT	5.49"	3.32"
3526DC	4"	4.05"	5.25"	4" - 8 NPT	5.94"	3.82"

A = Overall length  
B = Clamping range

C = Max. width  
D = Throat I.D.

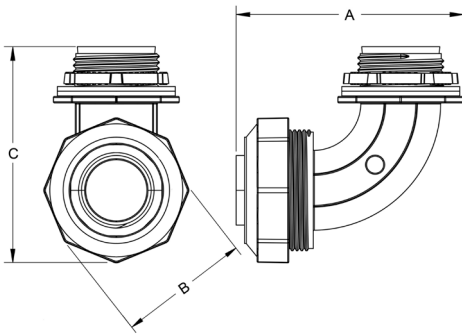
## DETAILED DRAWINGS

### DIE-CAST ZINC LIQUIDTIGHT CONNECTORS



#### 90° Insulated

CATALOG NUMBER	SIZE	A	B	THREAD SPEC.	C	D
3421DC	3/8"	2.27"	1.37"	1/2" - 14 NPT	2.27"	0.41
3422DC	1/2"	2.27"	1.38"	1/2" - 14 NPT	2.27"	0.54
3423DC	3/4"	2.44"	1.69"	3/4" - 14 NPT	2.44"	0.71
3424DC	1"	3.37"	1.95"	1" - 11 1/2 NPT	3.37"	0.95
3425DC	1-1/4"	3.57"	2.42"	1 1/4" - 11 1/2 NPT	3.57"	1.27
3426DC	1-1/2"	3.74"	2.63"	1 1/2" - 11 1/2 NPT	3.74"	1.41
3428DC	2"	4.41"	3.25"	2" - 11 1/2 NPT	4.41"	1.90



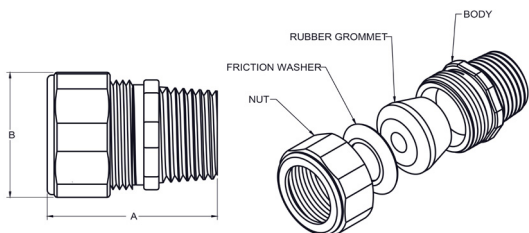
#### 90° Uninsulated

CATALOG NUMBER	SIZE	A	B	THREAD SPEC.	C	D
3541DC	3/8"	2.27"	1.28"	1/2" - 14 NPT	2.27"	0.41
3542DC	1/2"	2.27"	1.29"	1/2" - 14 NPT	2.27"	0.54
3543DC	3/4"	2.44"	1.58"	3/4" - 14 NPT	2.44"	0.71
3544DC	1"	3.37"	1.84"	1" - 11 1/2 NPT	3.37"	0.95
3545DC	1-1/4"	3.57"	2.27"	1 1/4" - 11 1/2 NPT	3.57"	1.27
3546DC	1-1/2"	3.74"	2.48"	1 1/2" - 11 1/2 NPT	3.74"	1.41
3548DC	2"	4.41"	3.02"	2" - 11 1/2 NPT	4.41"	1.90
3550DC	2-1/2"	6.39"	3.78"	2 1/2" - 8 NPT	5.68"	2.32
3552DC	3"	7.13"	4.35"	3" - 8 NPT	6.48"	2.95
3554DC	3-1/2"	8.49"	4.85"	3 1/2" - 8 NPT	7.16"	3.33
3556DC	4"	8.85"	5.25"	4" - 8 NPT	7.90"	3.82

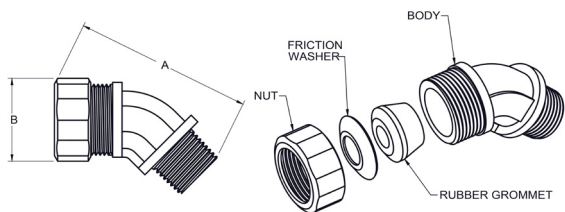
A = Overall length  
B = Clamping range

C = Overall height  
D = Throat I.D.



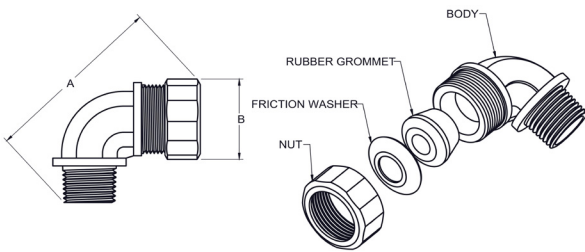
**COLOR-CODED CORD GRIP CONNECTORS**

**Straight Connectors**

CATALOG NUMBER	TRADE SIZE	COLOR CODE	CABLE RANGE (IN.)	DIM A	DIM B
3722-0	1/2"	Red	.150-.250	1.44	1.13
3722-1	1/2"	White	.250-.350	1.44	1.13
3722-2	1/2"	Blue	.350-.450	1.44	1.13
3722-3	1/2"	Green	.450-.560	1.44	1.13
3722-4	1/2"	Brown	.550-.650	1.44	1.13
3723-0	3/4"	Red	.150-.250	1.5	1.25
3723-1	3/4"	White	.250-.350	1.5	1.25
3723-2	3/4"	Blue	.350-.450	1.5	1.25
3723-3	3/4"	Green	.450-.560	1.5	1.25
3723-4	3/4"	Brown	.550-.650	1.5	1.25
3723-6	3/4"	Yellow	.750-.850	1.69	1.31
3723-5	3/4"	Purple	.650-.750	1.69	1.31
3724-0	1"	Green	.450-.560	1.75	1.5
3724-1	1"	Brown	.550-.650	1.75	1.5
3724-5	1"	Yellow	.750-.850	1.75	1.5
3724-2	1"	Purple	.850-.950	1.94	1.63
3724-3	1"	Gray	.950-1.050	1.94	1.63
3724-4	1"	Black	.650-.750	1.75	1.5
3725-0	1-1/4"	Purple	.750-.850	1.94	1.88
3725-1	1-1/4"	Gray	.850-.950	1.94	1.88
3725-2	1-1/4"	Black	.950-1.050	2.06	2
3725-4	1-1/4"	Orange	1.250-1.375	2.06	2
3725-5	1-1/4"	Red	1.050-1.150	2.06	2
3725-3	1-1/4"	White	1.150-1.250	2.06	2
3726-0	1-1/2"	Black	.950-1.050	2.13	2.25
3726-1	1-1/2"	Orange	1.050-1.150	2.13	2.25
3726-2	1-1/2"	Red	1.150-1.250	2.13	2.25
3726-3	1-1/2"	White	1.250-1.375	2.13	2.25


**45° Connectors**

CATALOG NUMBER	TRADE SIZE	COLOR CODE	CABLE RANGE (IN.)	DIM A	DIM B
3745-0	1/2"	RED	.150-.250	2.56	1.25
3745-1	1/2"	WHITE	.250-.350	2.56	1.25
3745-2	1/2"	BLUE	.350-.450	2.56	1.25
3745-3	1/2"	GREEN	.450-.560	2.56	1.25
3745-4	1/2"	BROWN	.550-.650	2.56	1.25
3746-0	3/4"	RED	.150-.250	2.88	1.44
3746-1	3/4"	WHITE	.250-.350	2.88	1.44
3746-2	3/4"	BLUE	.350-.450	2.88	1.44
3746-3	3/4"	GREEN	.450-.560	2.88	1.44
3746-4	3/4"	BROWN	.550-.650	2.88	1.44
3746-5	3/4"	YELLOW	.650-.750	2.88	1.44
3746-6	3/4"	PURPLE	.750-.850	2.88	1.44
3747-0	1"	GREEN	.450-.560	3.13	1.75
3747-1	1"	BROWN	.550-.650	3.13	1.75
3747-2	1"	YELLOW	.650-.750	3.13	1.75
3747-3	1"	PURPLE	.750-.850	3.13	1.75
3747-4	1"	GRAY	.850-.950	3.94	1.75
3747-5	1"	BLACK	.950-1.050	3.94	1.75

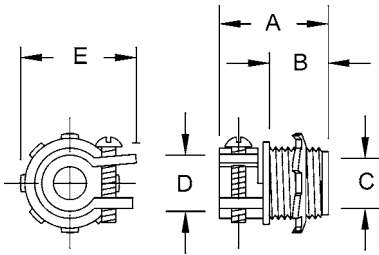
COLOR-CODED CORD GRIP CONNECTORS



**90° Connectors**

CATALOG NUMBER	TRADE SIZE	COLOR CODE	CABLE RANGE (IN.)	DIM A	DIM B
3794-0	1/2"	RED	.150-.250	2.75	1.25
3794-1	1/2"	WHITE	.250-.350	2.75	1.25
3794-2	1/2"	BLUE	.350-.450	2.75	1.25
3794-3	1/2"	GREEN	.450-.560	2.75	1.25
3794-4	1/2"	BROWN	.550-.650	2.75	1.25
3795-0	3/4"	RED	.150-.250	3.25	1.44
3795-1	3/4"	WHITE	.250-.350	3.25	1.44
3795-2	3/4"	BLUE	.350-.450	3.25	1.44
3795-3	3/4"	GREEN	.450-.560	3.25	1.44
3795-4	3/4"	BROWN	.550-.650	3.25	1.44
3795-5	3/4"	YELLOW	.650-.750	3.25	1.44
3795-6	3/4"	PURPLE	.750-.850	3.25	1.44
3796-0	1"	GREEN	.450-.560	3.75	1.75
3796-1	1"	BROWN	.550-.650	3.75	1.75
3796-2	1"	YELLOW	.650-.750	3.75	1.75
3796-3	1"	PURPLE	.750-.850	3.75	1.75
3796-4	1"	GRAY	.850-.950	3.88	1.75
3796-5	1"	BLACK	.950-1.050	3.88	1.75

FLEXIBLE METAL CONDUIT FITTINGS

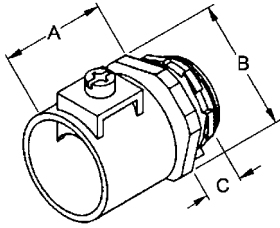


Straight Squeeze Connector, Insulated						
CATALOG NUMBER	A	B	THREAD SPEC.	C	D	E
3301	1-1/16"	13/32"	1/2"-14 NPS	.345	.528 - .640	1-23/64"
3302	1-23/64"	17/32"	1/2"-14 NPS	.590	.855 - .910	1-5/8"
3302-8	1-23/64"	17/32"	1/2"-14 NPS	.590	.855 - .910	1-5/8"
3303	1-15/32"	31/64"	3/4"-14 NPS	.763	1.043 - 1.122	1-15/16"
3303-8	1-15/32"	31/64"	3/4"-14 NPS	.763	1.043 - 1.122	1-15/16"
3304	1-11/16"	33/64"	1"-11-1/2 NPT	.935	1.364 - 1.408	2-25/64"
3304-8	1-11/16"	33/64"	1"-11-1/2 NPT	.935	1.364 - 1.408	2-25/64"
3305	1-51/64"	33/64"	1-1/4"-11-1/2 NPT	1.190	1.670 MAX.	2-9/16"
3306	2-15/32"	43/64"	1-1/2"-11-1/2 NPT	1.450	1.970 MAX.	2-27/32"
3308	2-3/4"	45/64"	2"-11-1/2 NPT	1.930	2.450 MAX.	3-11/32"
3310	3"	1-3/64"	2-1/2"- 8 NPS	2.358	3.080 MAX	4-5/32"
3312	3-15/64"	1-5/64"	3"- 8 NPS	2.290	3.645 MAX	5"
3314	5-13/64"	1-21/64"	3-1/2"- 8 NPS	3.425	4.060 MAX	6-5/8"
3316	5-23/32"	1-39/64"	4"- 8 NPS	3.915	4.560 MAX	7-15/64"
Straight Squeeze Connector, Uninsulated						
CATALOG NUMBER	A	B	THREAD SPEC.	C	D	E
2101	1-1/16"	13/32"	1/2"-14 NPS	.345	.528 - .640	1-23/64"
2102	1-33/64"	17/32"	1/2"-14 NPS	.590	.855 - .910	1-5/8"
2102-8	1-33/64"	17/32"	1/2"-14 NPS	.590	.855 - .910	1-5/8"
2103	1-15/32"	31/64"	3/4"-14 NPS	.763	1.043 - 1.122	1-15/16"
2103-8	1-15/32"	31/64"	3/4"-14 NPS	.763	1.043 - 1.122	1-15/16"
2104	1-11/16"	33/64"	1"-11-1/2 NPT	.935	1.364 - 1.408	2-25/64"
2104-8	1-11/16"	33/64"	1"-11-1/2 NPT	.935	1.364 - 1.408	2-25/64"
2105	1-51/64"	33/64"	1-1/4"-11-1/2 NPT	1.190	1.670 MAX.	2-9/16"
2106	2-15/32"	43/64"	1-1/2"-11-1/2 NPT	1.450	1.970 MAX.	2-27/32"
2108	2-3/4"	45/64"	2"-11-1/2 NPT	1.930	2.450 MAX.	3-11/32"
2110	3"	1-3/64"	2-1/2"- 8 NPS	2.358	3.080 MAX	4-5/32"
2112	3-15/64"	1-5/64"	3"- 8 NPS	2.290	3.645 MAX	5"
2114	5-1/64"	1-21/64"	3-1/2"- 8 NPS	3.425	4.060 MAX	6-5/8"
2116	5-23/64"	1-39/64"	4"- 8 NPS	3.915	4.560 MAX	7-15/64"

A = Overall length  
 B = Thread length and thread spec  
 C = Throat I.D.  
 D = Clamping range  
 E = Maximum width body

**DETAILED DRAWINGS**

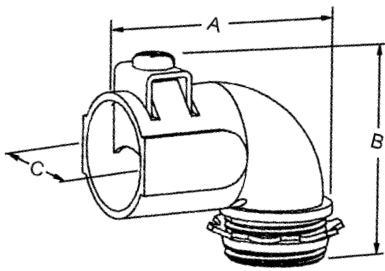
**FLEXIBLE METAL CONDUIT FITTINGS**



**Straight DOUBLE BITE Saddle Connectors**

CATALOG NUMBER	A	B	C
3301DB	1-3/16"	1-1/4"	1/2"
3302DB	1-3/8"	1-1/4"	7/16"
3303DB	1-3/8"	1-7/16"	7/16"
3304DB	1-9/16"	1-13/16"	1/2"
3305DB	2-3/16"	2-1/8"	5/8"
3306DB	2-7/16"	2-1/2"	5/8"
3308DB	2-9/16"	3"	5/8"
3310DB	2-11/16"	3-5/8"	13/16"
3312DB	2-13/16"	4-1/4"	15/16"
3314DB	2-15/16"	4-3/4"	1"
3316DB	3"	5-3/16"	1-1/16"

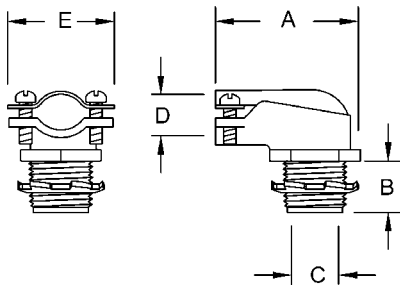
A = Overall length  
 B = O.D. body  
 C = Thread length



**90° DOUBLE BITE Saddle Connectors**

CATALOG NUMBER	A	B	C
3201DB	1-3/4"	2-1/16"	1"
3202DB	2-1/8"	2-1/4"	1-1/4"
3203DB	2-1/2"	2-1/2"	1-3/8"
3204DB	2-13/16"	2-7/8"	1-11/16"

A = Throat length  
 B = Overall height  
 C = Throat I.D.

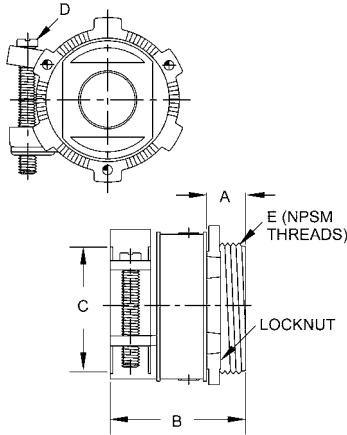


**90° Squeeze Connectors**

INSULATED CATALOG NO.	UNINSULATED CATALOG NO.	A	B	THREAD SPEC	C	D	E
3201	2201	2-1/64"	23/64"	1/2"-14 NPS	.570"	.390-.630"	1-3/8"
3202	2202	2-15/64"	27/64"	1/2"-14 NPS	.570"	.817-.950"	1-51/64"
3202-8	2202-8	2-15/64"	27/64"	1/2"-14 NPS	.570"	.817-.950"	1-51/64"
3203	2203	2-1/2"	1/2"	3/4"-14 NPS	.822"	.830-1.110"	1-31/32"
3203-8	2203-8	2-1/2"	1/2"	3/4"-14 NPS	.822"	.830-1.110"	1-31/32"
3204	2204	2-27/32"	33/64"	1"-11-1/2 NPS	.950"	1.295" MAX	2-11/32"
—	2204-8	2-27/32"	33/64"	1"-11-1/2 NPS	.950"	1.295" MAX	2-11/32"
3205	2205	4-13/64"	43/64"	1-1/4"-11-1/2 NPS	1.210"	1.535" MAX	2-55/64"
3206	2206	4-57/64"	19/32"	1-1/2"-11-1/2 NPS	1.450"	1.890" MAX	3-3/32"
3208	2208	6-35/64"	51/64"	2"-11-1/2 NPS	1.883"	2.415" MAX	3-51/64"
3210	2210	7-9/16"	1-7/64"	2-1/2"- 8 NPS	2.300"	2.515" MAX	4-21/64"
3212	2212	8-31/32"	1-3/64"	3"- 8 NPS	2.940"	3.025" MAX	5-1/16"
3214	2214	11-15/64"	1-17/64"	3-1/2"- 8 NPS	3.440"	3.700" MAX	6-51/64"
3216	2216	12-11/32"	1-9/16"	4"- 8 NPS	3.935"	4.050" MAX	7-17/64"

A = Overall length  
 B = Thread length and thread spec  
 C = Throat I.D.  
 D = Clamping range  
 E = Maximum width body

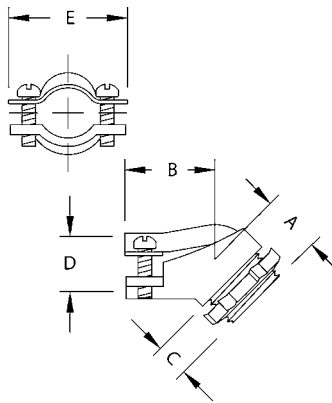
**FLEXIBLE METAL CONDUIT FITTINGS**



**Straight Squeeze Connectors, Uninsulated**

CATALOG NUMBER	A	B	C	D	E
2191	13/32"	1"	21/32"	NO. 10x1.00	1/2"-14 NPSM
2192	1/2"	1-1/2"	63/64"	NO. 10x1.00	1/2"-14 NPSM
2193	1/2"	1-19/32"	1-3/16"	NO. 12x1.00	3/4"-14 NPSM
2194	9/16"	1-49/64"	1-29/64"	NO. 12x1.25	1"-11-1/2 NPSM
2195RAC	43/64"	1-31/32"	1-47/64"	NO. 12x1.25	1-1/4"-11-1/2 NPSM
2196RAC	19/32"	2"	2"	NO. 12x1.25	1-1/2"-11-1/2 NPSM
2198	19/32"	2-7/64"	2-35/64"	1/4-20x1.50	2"-11-1/2 NPSM

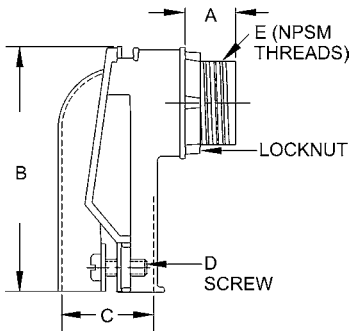
A = Thread length  
 B = Overall length  
 C = Conduit opening  
 D = Screw spec  
 E = Thread spec



**45° Squeeze Connectors, Uninsulated**

CATALOG NUMBER	A	B	C	THREAD SPEC.	D	E
2221	5/8"	1-3/16"	1/2"	1/2" - 14	7/16" - 5/8"	1-3/8"
2222	1-3/16"	2"	1/2"	1/2" - 14	25-32" - 29/32"	1-3/8"

A = Length to end of fitting  
 B = Length to bend  
 C = Thread length and thread spec  
 D = Clamping range  
 E = Maximum width body



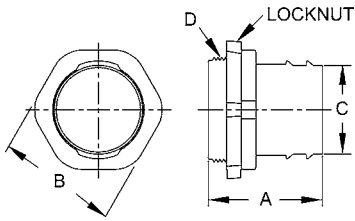
**90° Squeeze Connectors, Uninsulated**

CATALOG NUMBER	A	B	C		D	E
			MIN.	MAX.		
2691	25/64"	1-25/32"	29/64"	25/32"	NO. 8 x 1/2"	1/2"-14 NPSM
2692	7/16"	2-1/8"	45/64"	1-5/32"	NO. 8 x 5/8"	1/2"-14 NPSM
2693	7/16"	2-3/32"	63/64"	1-13/32"	NO. 8 x 5/8"	3/4"-14 NPSM
2694	17/32"	2-27/32"	1-7/64"	1-53/64"	NO. 12 x 1"	1"-11-1/2 NPSM
2695	19/32"	3-15/16"	1-3/8"	2-1/16"	NO. 12 x 1"	1-1/4"-11-1/2 NPSM
2696	45/64"	6-1/16"	1-27/32"	2-1/16"	NO. 1/4-20 x 1-1/2"	1-1/2"-11-1/2 NPSM
2698	45/64"	6-1/4"	1-27/32"	2-1/16"	NO. 1/4-20 x 1-1/2"	2"-11-1/2 NPSM

A = Thread length  
 B = Overall length  
 C = Clamping range  
 D = Screw  
 E = Thread spec

**DETAILED DRAWINGS**

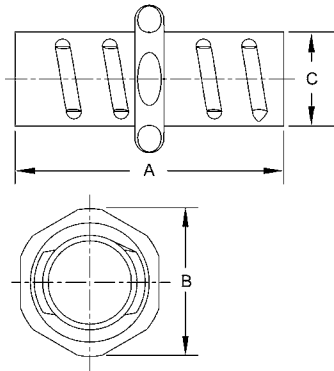
**FLEXIBLE METAL CONDUIT FITTINGS**



**Screw-in Type Connectors - Uninsulated**

CATALOG NUMBER	A	B	C	D THREAD SPEC.
2281	1-19/64"	59/64"	3/8"	1/2"-14 NPSM
2282	1-3/8"	59/64"	5/8"	1/2"-14 NPSM
2283	1-5/8"	1-1/8"	53/64"	3/4"-14 NPSM

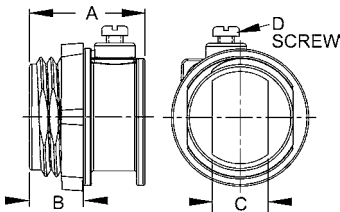
A = Overall length  
 B = Dia. across flats  
 C = Body Dia.  
 D = Thread spec



**Screw-in Type Couplings**

CATALOG NUMBER	A	B	C
2272	1-51/64"	31/32"	5/8"
2273	2-7/64"	1-7/32"	53/64"

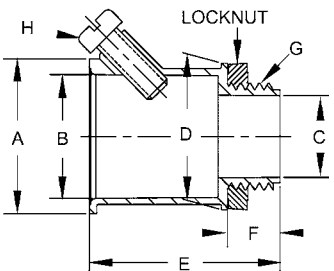
A = Overall length  
 B = Dia. across corners  
 C = Body Dia.



**Set Screw Connector**

CATALOG NUMBER	A	B	THREAD SPEC.	C	D
2511	25/32"	3/8"	1/2-14 NPSM	3/8"	10-24 x 1/2"

A = Overall length  
 B = Thread length  
 C = Throat Dia.  
 D = Screw Size



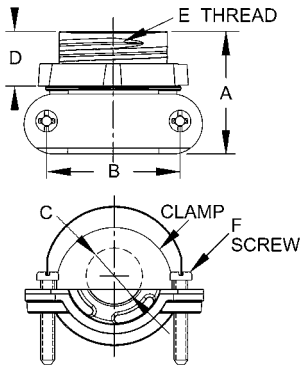
**Set Screw Connector**

CATALOG NUMBER	A	B	C	D	E	F	G	H
2632	1-3/16"	61/64"	39/64"	1-1/8"	1-1/2"	3/64"	1/2-14 NPSM	10-24 x 1/2"

A = Body O.D.  
 B = Body I.D.  
 C = Throat I.D.  
 D = Hub Dia.  
 E = Overall length  
 F = Thread length  
 G = Thread spec  
 H = Screw size and length



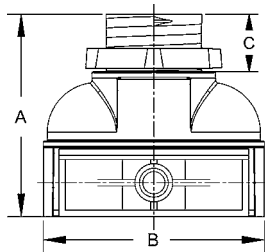
**FLEXIBLE METAL CONDUIT FITTINGS**



**Clamp Type Connector**

CATALOG NUMBER	A	B	C	THREAD SPEC.	D	E
2661	27/32"	7/8"	23/64"	3/8"	1/2-14 NPSM	8-32 x 3/4"

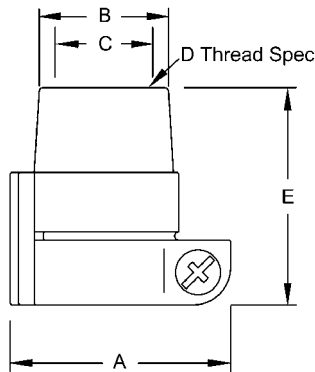
- A = Length
- B = Screw centerlines
- C = Clamping range
- D = Thread length
- E = Thread spec.
- F = Screw



**Duplex Connector**

CATALOG NUMBER	A	B	C
2611	1-1/2"	1-21/32"	7/16"

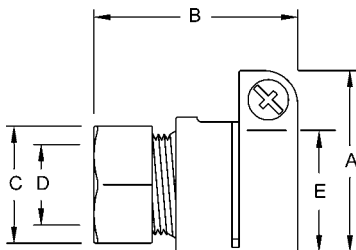
- A = Overall length
- B = Width
- C = Thread length



**Flex to Rigid Couplings**

CATALOG NUMBER	A	B	C	D THREAD SPEC.	E
1552	1-43/64"	1-13/64"	31/32"	1/2"- 14 NPT	1-1/2"
1553	1-3/4"	1-23/64"	1-1/8"	3/4"- 14 NPT	1-3/4"
1554	2-5/16"	1-21/32"	1-13/34"	1"- 11-1/2 NPT	1-53/64"

- A = Width across flex side
- B = Hub O.D.
- C = Hub I.D.
- D = Thread spec. hub
- E = Overall length



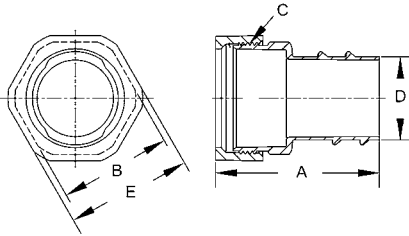
**Flex EMT Squeeze Couplings**

CATALOG NUMBER	A	B	C	D	E
1941	1-1/4"	1-5/16"	1-7/64"	23/32"	17/32"-5/8"
1942	1-1/2"	1-3/4"	1-7/64"	23/32"	13/16"-15/16"
1942-8	1-1/2"	1-3/4"	1-7/64"	23/32"	13/16"-15/16"
1943	1-3/4"	1-53/64"	1-3/8"	15/16"	1-1/32"-1-1/8"
1943-8	1-3/4"	1-53/64"	1-3/8"	15/16"	1-1/32"-1-1/8"

- A = Width across flex side
- B = Overall length
- C = Nut O.D.
- D = Nut I.D.
- E = Clamping range (flex side)

**DETAILED DRAWINGS**

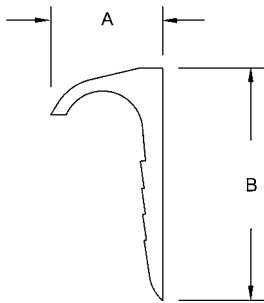
**FLEXIBLE METAL CONDUIT FITTINGS**



**Flex EMT Couplings Screw-In/Compression**

CATALOG NUMBER	A	B	C THREAD SPEC.	D	E
1482	1-21/32"	59/64"	7/8"-18 UNS	5/8"	31/32"
1483	1-51/64"	1-1/8"	1-5/64"-18 UNS	13/16"	1-7/32"
1484	1-63/64"	1-23/64"	1-23/64"-18 UNS	1"	1-33/64"

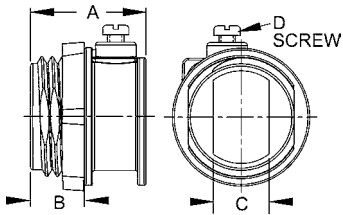
A = Overall length  
 B = Body across flat  
 C = Thread spec  
 D = Throat I.D.  
 E = Nut across flat



**Nail-up Straps Stamped**

CATALOG NUMBER	A	B
2252	1-1/16"	2-3/16"
2253	1-1/4"	2-19/64"
2254	1-1/2"	2-13/32"

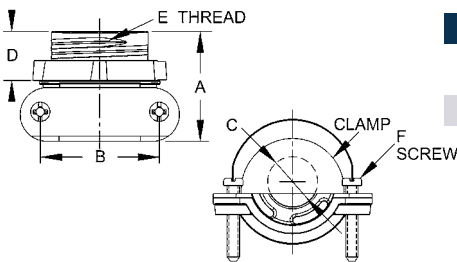
**ARMORED CABLE CONNECTORS**



**Set Screw Connector**

CATALOG NUMBER	A	B	THREAD SPEC.	C	D
2511	25/32"	3/8"	1/2-14 NPSM	3/8"	10-24 x 1/2"

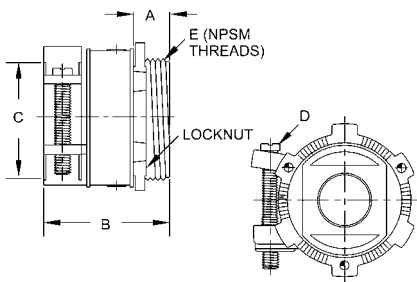
A = Overall length  
 B = Thread length  
 C = Throat Dia.  
 D = Screw Size



**Clamp Type Connector**

CATALOG NUMBER	A	B	C	THREAD SPEC.	D	E
2661	27/32"	7/8"	23/64"	3/8"	1/2-14 NPSM	8-32 x 3/4"

A = Length  
 B = Screw centerlines  
 C = Clamping range  
 D = Thread length  
 E = Thread spec.  
 F = Screw

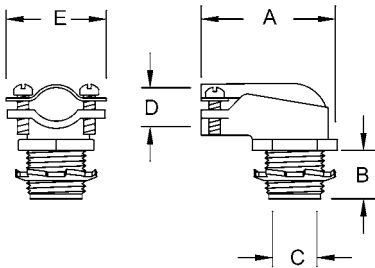


**Squeeze Type Connectors, Uninsulated**

CATALOG NUMBER	A	B	C	D	E
2191	13/32"	1"	21/32"	NO. 10x1.00	1/2"-14 NPSM
2192	1/2"	1-1/2"	63/64"	NO. 10x1.00	1/2"-14 NPSM
2193	1/2"	1-19/32"	1-3/16"	NO. 12x1.00	3/4"-14 NPSM
2194	9/16"	1-49/64"	1-29/64"	NO. 12x1.25	1"-11-1/2 NPSM

A = Thread length  
 B = Overall length  
 C = Conduit opening  
 D = Screw spec  
 E = Thread spec

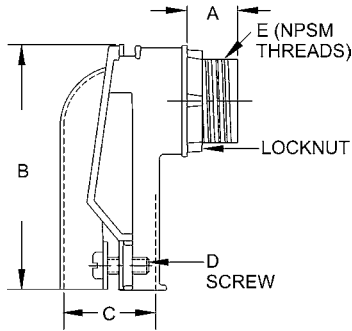
### ARMORED CABLE CONNECTORS



#### 90° Squeeze Connectors

INSULATED CATALOG NO.	UNINSULATED CATALOG NO.	A	B	THREAD SPEC	C	D	E
3201	2201	2-1/64"	23/64"	1/2"-14 NPS	.570"	.390-.630"	1-3/8"
3202	2202	2-15/64"	27/64"	1/2"-14 NPS	.570"	.817-.950"	1-51/64"
3202-8	2202-8	2-15/64"	27/64"	1/2"-14 NPS	.570"	.817-.950"	1-51/64"
3203	2203	2-1/2"	1/2"	3/4"-14 NPS	.822"	.830-1.110"	1-31/32"
3203-8	2203-8	2-1/2"	1/2"	3/4"-14 NPS	.822"	.830-1.110"	1-31/32"

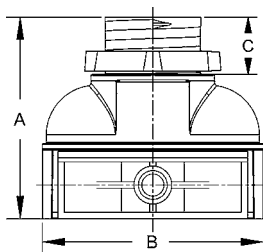
- A = Overall length
- B = Thread length and thread spec
- C = Throat I.D.
- D = Clamping range
- E = Maximum width body



#### 90° Squeeze Connectors, Uninsulated

CATALOG NUMBER	A	B	C		D	E
			MIN.	MAX.		
2691	25/64"	1-25/32"	29/64"	25/32"	NO. 8 x 1/2"	1/2"-14 NPSM
2692	7/16"	2-1/8"	45/64"	1-5/32"	NO. 8 x 5/8"	1/2"-14 NPSM
2693	7/16"	2-3/32"	63/64"	1-13/32"	NO. 8 x 5/8"	3/4"-14 NPSM

- A = Thread length
- B = Overall length
- C = Clamping range
- D = Screw
- E = Thread spec

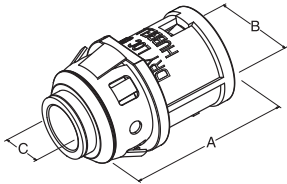


#### Duplex Connector

CATALOG NUMBER	A	B	C
2611	1-1/2"	1-21/32"	7/16"

- A = Overall length
- B = Width
- C = Thread length

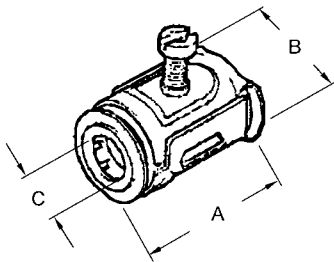
METAL CLAD CABLE CONNECTORS



**Push-in Connectors**

CATALOG NUMBER	A	B	C
<b>38RAC</b>	1-7/16"	27/32"	13/32"
<b>40RAC</b>	1-7/16"	27/32"	13/32"

A = Overall length  
 B = Body O.D.  
 C = Throat I.D.

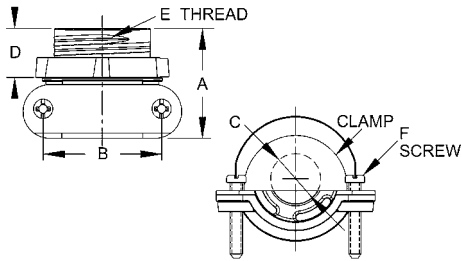


**Screw Type Cable Connectors**

CATALOG NUMBER	A	B	C
<b>2800</b>	1-7/16"	7/8"	7/16"
<b>2801</b>	1-11/16"	1-5/16"	9/16"

A = Overall length  
 B = Body O.D.  
 C = Throat I.D.

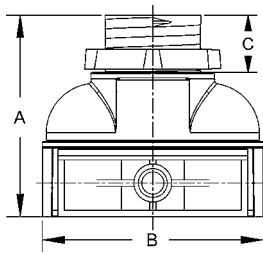
METAL CLAD CABLE CONNECTORS



**Clamp Type Cable Connector**

CATALOG NUMBER	A	B	C	THREAD SPEC.	D	E
2661	27/32"	7/8"	23/64"	3/8"	1/2-14 NPSM	8-32 x 3/4"

A = Length  
 B = Screw centerlines  
 C = Clamping range  
 D = Thread length  
 E = Thread spec.  
 F = Screw

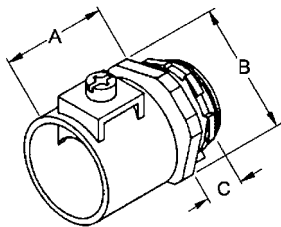


**Duplex Connector**

CATALOG NUMBER	A	B	C
2611	1-1/2"	1-21/32"	7/16"

A = Overall length  
 B = Width  
 C = Thread length

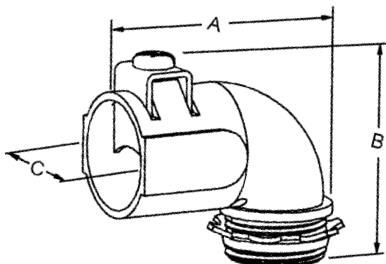
DOUBLE BITE SADDLE CONNECTORS



**Straight Saddle Connectors**

CATALOG NUMBER	A	B	C
3301DB	1-3/16"	1-1/4"	1/2"
3302DB	1-3/8"	1-1/4"	7/16"
3303DB	1-3/8"	1-7/16"	7/16"
3304DB	1-9/16"	1-13/16"	1/2"
3305DB	2-3/16"	2-1/8"	5/8"
3306DB	2-7/16"	2-1/2"	5/8"
3308DB	2-9/16"	3"	5/8"
3310DB	2-11/16"	3-5/8"	13/16"
3312DB	2-13/16"	4-1/4"	15/16"
3314DB	2-15/16"	4-3/4"	1"
3316DB	3"	5-3/16"	1-1/16"

A = Overall length  
 B = O.D. body  
 C = Thread length



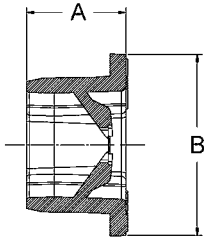
**90° Saddle Connectors**

CATALOG NUMBER	A	B	C
3201DB	1-3/4"	2-1/16"	1"
3202DB	2-1/8"	2-1/4"	1-1/4"
3203DB	2-1/2"	2-1/2"	1-3/8"
3204DB	2-13/16"	2-7/8"	1-11/16"

A = Throat length  
 B = Overall height  
 C = Throat I.D.

**DETAILED DRAWINGS**

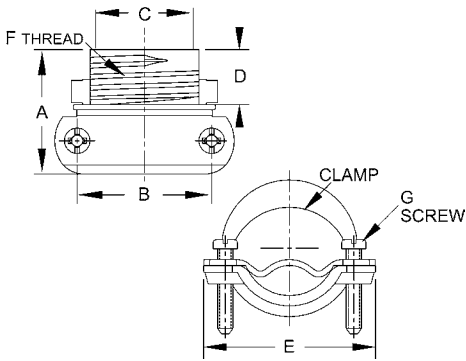
**NONMETALLIC SHEATHED CABLE CONNECTORS & ACCESSORIES**



**Nonmetallic Sheathed Cable Connector**

CATALOG NUMBER	A	B
4714	5/8"	1-9/64"

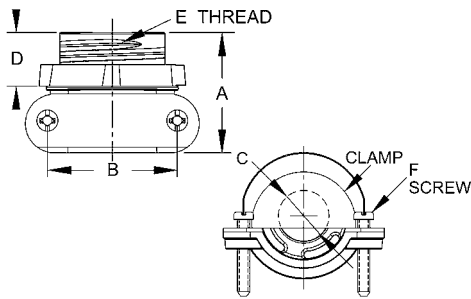
A = Overall length  
B = Flange O.D.



**Clamp Type Cable Connectors**

CATALOG NUMBER	A	B	C	D	E	F	G
2711	13/16"	7/8"	5/8"	23/64"	1-11/64"	1/2"-1/4 NPSM	NO. 8-32 x 3/4"
2863	15/16"	1-3/16"	27/32"	27/64"	1-21/32"	3/4"-1/4 NPSM	NO.10-24 x 1"
2864	1-7/64"	1-7/16"	1-3/64"	33/64"	1-15/16"	1"-11-1/2 NPSM	NO.10-24 x 1"

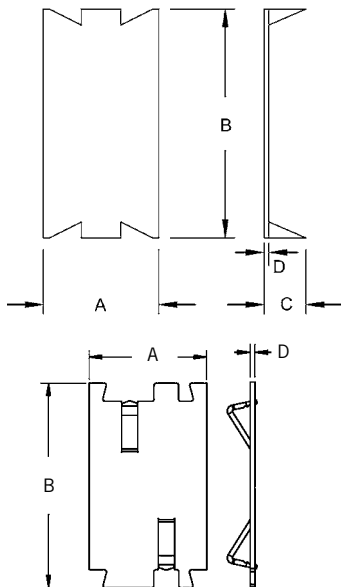
A = Length  
B = Screw centerlines  
C = Throat I.D.  
D = Thread length  
E = Max. body width  
F = Thread spec.  
G = Screw



**Clamp Type Cable Connector**

CATALOG NUMBER	A	B	C	D	E	F
2661	27/32"	7/8"	23/64"	3/8"	1/2"-14 NPSM	8-32 x 3/4"

A = Length  
B = Screw centerlines  
C = Throat I.D.  
D = Thread length  
E = Thread spec.  
F = Screw



**Cable Protectors**

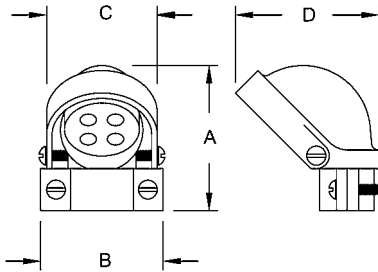
CATALOG NUMBER	A	B	C	D
2709	1-1/2"	2-9/16"	1/2"	1/16"
2709-9	1-1/2"	2-9/16"	1/2"	1/16"
2710	1-1/2"	2-9/16"	1/2"	1/16"

**PUZZLE-PLATE® Cable Protectors**

2712	1-1/2"	2-5/8"	—	3/64"
2712-9R	1-1/2"	2-5/8"	—	1/16"
2712R	1-1/2"	2-5/8"	—	1/16"
2713	1-1/2"	5"	—	3/64"
2713R	1-1/2"	5"	—	1/16"

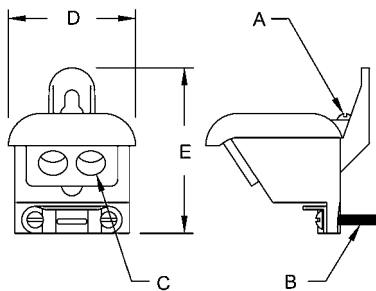
A = Width  
B = Height  
C = Thickness – measure from the tip of the tang  
D = Thickness of material



**SERVICE ENTRANCE FITTINGS**

**Entrance Heads, Clamp Type for Rigid/IMC or EMT**

CATALOG NUMBER	A	B	C	D	INSULATING HOLE DIA.
2402	2-11/16"	2-1/4"	2-1/8"	2-37/64"	4 Holes 19/64" Dia.
2403	2-55/64"	2-1/4"	2-9/32"	2-63/64"	2 Holes 3/8" Dia., 3 Holes 13/32" Dia.
2404	3-9/32"	2-39/64"	2-39/64"	3-3/8"	3 Holes 1/2" Dia., 2 Holes 7/16" Dia.
2405	3-1/4"	3-3/32"	3-3/32"	4-7/32"	3 Holes 5/8" Dia., 2 Holes 7/16" Dia.
2406	4-43/64"	3-3/4"	3-13/32"	5-3/32"	3 Holes 3/4" Dia., 2 Holes 19/32" Dia., 1 Hole 7/16" Dia.
2408	6"	4-1/2"	4-23/32"	6-19/32"	3 Holes 1" Dia., 2 Holes 3/4" Dia., 1 Hole 17/32" Dia.
2410	8"	5-13/16"	6-7/16"	9-57/64"	3 Holes 1-5/16" Dia., 3 Holes 7/8" Dia., 1 Hole 1" Dia.
2412	8-7/64"	6-3/8"	6-7/16"	10-1/64"	3 Holes 1-5/16" Dia., 3 Holes 7/8" Dia., 1 Hole 1" Dia.
2414	9-9/16"	7-7/64"	8-5/32"	13-1/16"	3 Holes 1-5/16" Dia., 4 Holes 1-1/8" Dia.
2416	9-11/32"	7-61/64"	8-5/32"	13-7/32"	3 Holes 1-3/4" Dia., 4 Holes 1-1/8" Dia.

A = Height                      C = Width of head  
B = Width of clamp          D = Depth of head

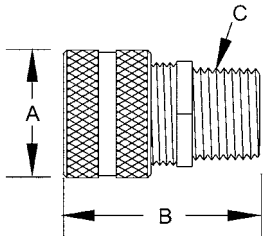

**Entrance Heads, Clamp Type for SEU Cable**

CATALOG NUMBER	A	B	C	D	E
2430	8-32 x 1/2"	10-24 x 1"	17/32"	3-5/16"	3-5/16"
2440	12-24 x 1/2"	12-24 x 1"	13/16"	4-1/2"	5"

A = Cover screw spec      D = Depth of head  
B = Clamp screw spec      E = Height  
C = Hole size

**DETAILED DRAWINGS**

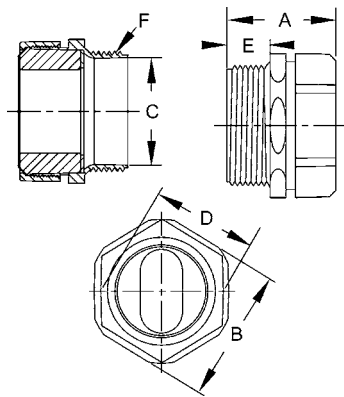
**SERVICE ENTRANCE FITTINGS**



**Underground Feeder (UF) Connectors, Liquid Tight**

CATALOG NUMBER	A	B	C
4899-9	1.25"	1.65"	1/2" - 14
4799-1	1.32"	2.03"	1/2" - 14
4799-3	1.56"	2.15"	3/4" - 14
2462	1.25"	1.75"	1/2" - 14

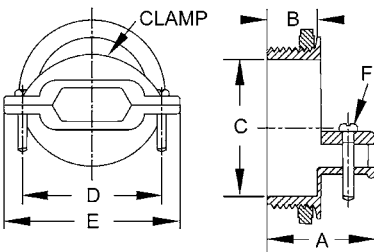
A = Nut O.D.  
 B = Length  
 C = Thread spec



**Service Entrance Cable Connectors, Liquid Tight**

CATALOG NUMBER	A	B	C	D	E	F
2475	2"	1-27/32"	1-23/64"	1-49/64"	39/64"	1-1/4" -11-1/2
2485	2"	1-27/32"	1-23/64"	1-49/64"	39/64"	1-1/4" -11-1/2
2486	2-3/16"	2-5/32"	1-19/32"	2-7/64"	39/64"	1-1/2" -11-1/2
2498	2-13/32"	2-37/64"	2-1/16"	2-21/32"	49/64"	2" -11-1/2
2468	2-13/32"	2-37/64"	2-1/16"	2-21/32"	49/64"	2" -11-1/2

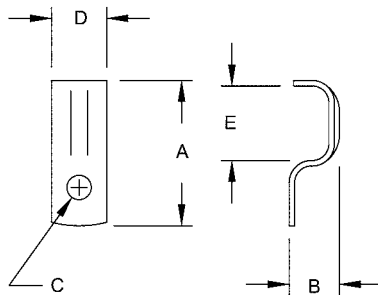
A = Overall length  
 B = Nut across flat  
 C = Throat dia.  
 D = Body across flat  
 E = Thread length  
 F = Thread spec



**Non-watertight Connectors for Oval or Round Cable**

CATALOG NUMBER	A	B	C	D	E	F
2853/2863	15/16"	27/64"	3/4" - 14 NPSM	1-3/16"	1-21/32"	No. 10-24 x 1"
2854/2864	1-7/64"	33/64"	1" - 11-1/2 NPSM	1-7/16"	1-15/16"	No. 10-24 x 1"
2855	1-5/16"	39/64"	1-1/4" - 11-1/2 NPSM	1-5/8"	2-1/4"	No. 10-24 x 1"
2856	1-21/64"	19/32"	1-1/2" - 11-1/2 NPSM	2-13/64"	2-27/32"	No. 10-24 x 1"
2858	1-37/64"	47/64"	2" - 11-1/2 NPSM	2-3/4"	3-1/2"	No. 12-24 x 1"

A = Overall length  
 B = Thread length and thread spec  
 C = Throat I.D.  
 D = Screw center to center  
 E = Maximum body width  
 F = Screw size

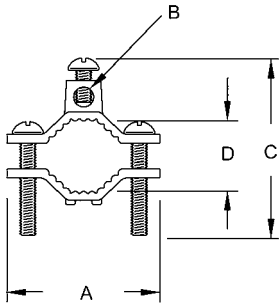


**One Hole Cable Straps**

CATALOG NUMBER	A	B	C	D	E
2441	1-5/8"	37/64"	9/32"	5/8"	13/16"
2442	1-55/64"	3/4"	9/32"	5/8"	1-3/64"
2443	1-21/32"	1"	9/32"	1"	1-7/16"
2444	2-59/64"	1-9/64"	9/32"	1"	1-45/64"

A = Overall length  
 B = Height  
 C = Hole size  
 D = Width of strap  
 E = Inside length

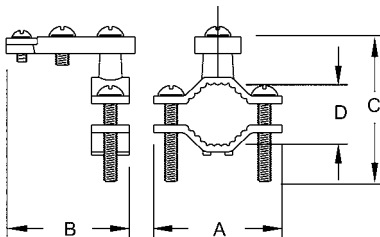
### GROUNDING



#### Ground Clamps for Bare Ground Wires

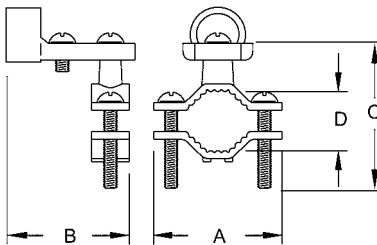
CATALOG NUMBER	A	B	C	D
2504	2-1/4"	5/16"	2-5/16"	11/16"-1-5/16"
2505	3-9/16"	5/16"	3-1/8"	1-3/8"-2-1/2"
2506	2-1/4"	5/16"	2-5/16"	11/16"-1-5/16"

A = Width  
 B = Hole diameter  
 C = Height  
 D = Min./Max. clamping range



#### Ground Clamps for Bare Armored Ground Wires

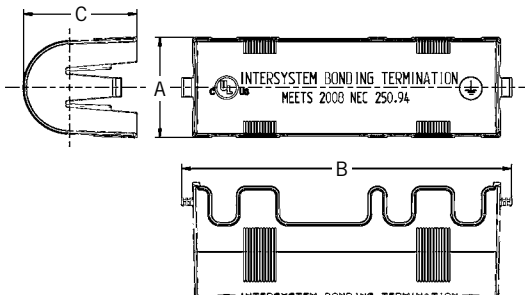
CATALOG NUMBER	A	B	C	D
2507	2-1/4"	2-3/8"	2-3/4"	9/16"-1-5/16"
2508	3-5/8"	2-1/4"	3-5/8"	1-3/8"-2-1/2"



#### Ground Clamps for 1/2" Rigid Conduit

CATALOG NUMBER	A	B	C	D
2512	2-1/4"	2-1/2"	3-1/8"	5/8"-1-3/8"
2522	3-9/16"	1-15/16"	3-1/2"	1-1/4"-2-1/2"
2513	2-5/16"	2-1/8"	3-1/2"	11/16"-1-3/8"
2523	3-5/8"	2-3/16"	4-3/8"	1-7/16"-2-1/2"

A = Width  
 B = Length  
 C = Height  
 D = Min./Max. clamping range



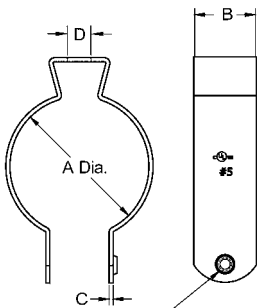
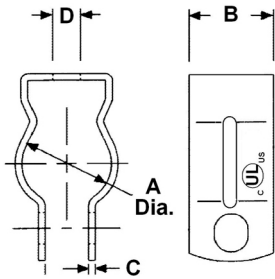
#### Intersystem Bonding Bridge for Solid or Stranded Conductors

CATALOG NUMBER	A	B	C
RACIBB-5	1.378"	4.606"	1.575"
RACIBB	1.378"	4.606"	1.575"

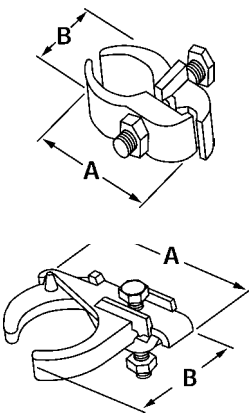
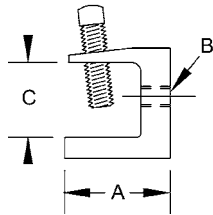
A = Width  
 B = Length  
 C = Height

**DETAILED DRAWINGS**

**CONDUIT SUPPORT FITTINGS**



1/4-20UNC-2B THREAD ON EXTRUDED HOLE



**Conduit Hangers with Nut and Bolt**

CATALOG NUMBER	A	B	C	D
2052	0.80"	0.75"	0.04"	0.25"
2053	1.00"	0.75"	0.04"	0.25"
2054	1.20"	0.87"	0.04"	0.25"
2041	1.50"	0.87"	0.04"	0.25"
2055	1.70"	0.87"	0.04"	0.25"
2056	1.87"	1.00"	0.04"	0.31"
2058	2.25"	1.00"	0.04"	0.31"
2057	2.87"	1.25"	0.63"	0.31"
2059	3.50"	1.25"	0.63"	0.31"
2060	4.00"	1.25"	0.63"	0.31"
2061	4.50"	1.25"	0.63"	0.31"

**Conduit Hangers with Bolt and Threaded Hole**

2052TH	0.78"	0.73"	.055 - .062"	0.26"
2053TH	0.99"	0.72"	.055 - .062"	0.26"
2054TH	1.25"	0.89"	.055 - .062"	0.26"
2041TH	1.52"	0.88"	.055 - .062"	0.26"
2055TH	1.71"	1.00"	.055 - .062"	0.33"
2056TH	1.92"	1.00"	.055 - .062"	0.33"
2058TH	2.30"	1.00"	.055 - .062"	0.33"

**Beam Clamps**

CATALOG NUMBER	A	B	C
2500	1-23/32"	1/4" - 20	21/32"
2524	1-11/32"	1/4" - 20	27/32"
2536	1-1/2"	5/16" - 8	15/16"
2538	1-27/32"	3/8" - 16	1-3/16"
2510	2-11/32"	1/2" - 13	1-1/4"

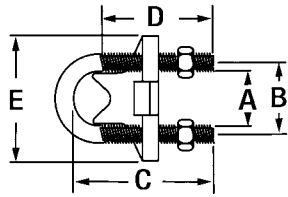
**Parallel Conduit Clamps**

CATALOG NUMBER	A	B
2322PC	2-7/8"	1-7/16"
2323PC	3-1/16"	1-11/16"
2324PC	3-1/4"	2"
2325PC	3-5/8"	2-1/8"
2326PC	3-7/8"	2-3/16"
2328PC	4-5/8"	2-7/8"
2330PC	5-1/4"	3-1/4"
2332PC	5-7/8"	3-7/8"
2334PC	6-5/16"	4-5/16"
2336PC	6-13/16"	4-13/16"

**Edge Conduit Clamps**

CATALOG NUMBER	A	B
2302EC	2-13/16"	2-1/8"
2303EC	2-15/16"	2-3/8"
2304EC	3-1/16"	2-5/8"
2305EC	3-1/16"	3-1/16"
2306EC	3-15/16"	3-1/4"
2308EC	4-1/2"	4-1/16"
2310PC	5-1/8"	4-5/8"
2312PC	5-3/4"	5-1/4"

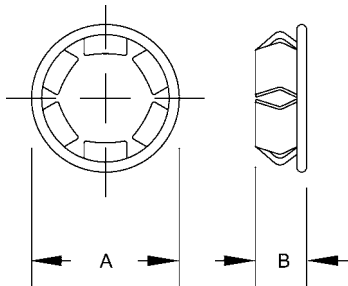
### CONDUIT SUPPORT FITTINGS



#### Right Angle Conduit Clamps

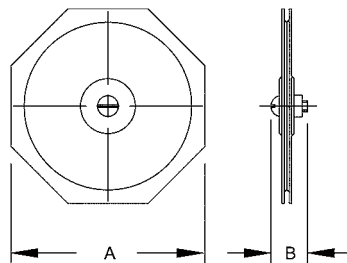
CATALOG NUMBER	A	B	C	D	E
2352RC	1"	1-1/4"	2-1/2"	1-13/16"	2-1/16"
2353RC	1-1/8"	1-33/8"	2-13/16"	1-13/16"	2-1/4"
2354RC	1-3/8"	1-5/8"	3-1/16"	1-13/16"	2-9/16"
2355RC	1-3/4"	2"	3-3/16"	1-13/16"	2-7/8"
2356RC	2"	2-3/8"	3-1/2"	1-13/16"	3-1/4"
2358RC	2-1/2"	2-1/2"	4-1/2"	2-5/8"	4-1/16"
2360RC	3"	3-1/4"	4-7/8"	2-5/8"	4-1/2"
2362RC	3-1/2"	3-7/8"	5-3/8"	2-5/8"	5-1/8"
2364RC	4"	4-9/16"	5-7/8"	2-5/8"	5-5/8"
2366RC	4-11/16"	5-1/16"	6-11/16"	2-5/8"	6-1/8"

### MISCELLANEOUS FITTINGS



#### Knockout Seals, One Piece

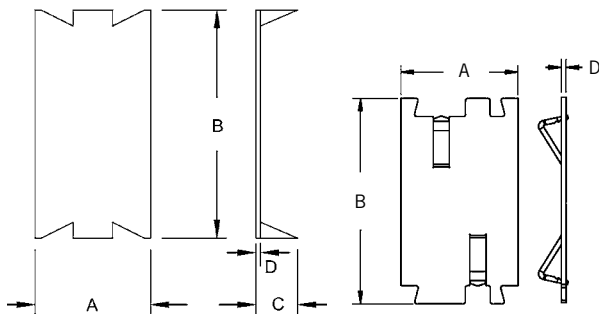
CATALOG NUMBER	A	B
1042	1-5/64"	23/64"
1043	1-15/64"	5/16"
1044	1-29/64"	11/32"
1045	1-13/16"	11/32"
1046	2-13/64"	11/32"
1048	2-43/64"	3/8"



#### Knockout Seals, Two Piece

CATALOG NUMBER	A	B
1037	3-3/16"	5/8"
1039	3-13/16"	5/8"
1040	4-3/8"	5/8"
1041	4-29/32"	5/8"

A = O. D.  
B = Height



#### Cable Protectors

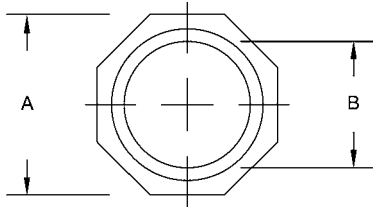
CATALOG NUMBER	A	B	C	D
2709	1-1/2"	2-9/16"	1/2"	1/16"
2709-9	1-1/2"	2-9/16"	1/2"	1/16"
2710	1-1/2"	2-9/16"	1/2"	1/16"

#### PUZZLE-PLATE® Cable Protectors

2712	1-1/2"	2-5/8"	—	3/64"
2712-9R	1-1/2"	2-5/8"	—	1/16"
2712R	1-1/2"	2-5/8"	—	1/16"
2713	1-1/2"	5"	—	3/64"
2713R	1-1/2"	5"	—	1/16"

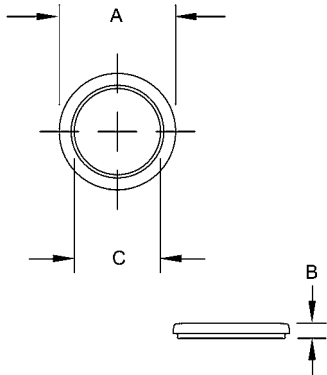
A = Width  
B = Height

C = Thickness – measure from the tip of the tang  
D = Thickness of material

**DETAILED DRAWINGS**
**MISCELLANEOUS FITTINGS**


Reducing Washers		
CATALOG NUMBER	A	B
1365	1-1/4"	7/8"
1366	1-17/32"	7/8"
1367	1-17/32"	1-3/32"
1368	1-31/32"	7/8"
1369	1-31/32"	1-3/32"
1370	1-31/32"	1-3/8"
1371	2-5/32"	7/8"
1372	2-5/32"	1-3/32"
1373	2-5/32"	1-3/8"
1374	2-5/32"	1-3/4"
1375	2-11/16"	7/8"
1376	2-11/16"	1-3/32"
1377	2-11/16"	1-3/8"
1378	2-11/16"	1-3/4"
1379	2-11/16"	1-31/32"
1380	3-3/16"	1-3/8"
1381	3-3/16"	1-3/4"
1382	3-3/16"	1-31/32"
1383	3-3/16"	2-15/32"
1384	3-13/16"	1-3/4"
1385	3-13/16"	1-31/32"
1386	3-13/16"	2-15/32"
1387	3-13/16"	3"
1389	4-3/8"	2-15/32"
1390	4-3/8"	3"
1391	4-3/8"	3-5/8"
1392	4-29/32"	2-15/32"
1393	4-29/32"	3"
1394	4-29/32"	3-5/8"

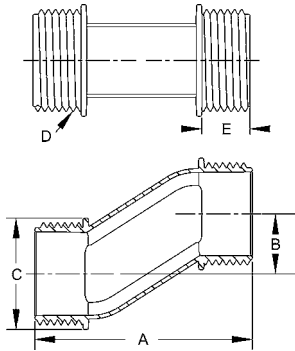
A = Across flats      B = I.D.



Sealing Washers - Steel			
CATALOG NUMBER	A	B	C
2452	1-5/64"	5/64"	51/64"
2452-8	1-5/64"	5/64"	51/64"
2453	1-11/32"	5/32"	1"
2453-8	1-11/32"	5/32"	1"
2454	1-5/8"	11/64"	1-1/4"
2454-8	1-5/8"	11/64"	1-1/4"
2455	2"	11/64"	1-39/64"
2456	2-23/64"	3/16"	1-27/32"
2458	2-53/64"	3/16"	2-5/16"

A = O.D.      B = Thickness      C = I.D.



**MISCELLANEOUS FITTINGS**

**Offset Nipples**

CATALOG NUMBER	A	B	C	D	E
1452	2-27/64"	3/4"	15/16"	1/2" - 14 NPSM	7/16"
1453	2-13/32"	3/4"	1-3/16"	3/4" - 14 NPSM	7/16"
1454	2-23/32"	3/4"	1-25/64"	1" - 11/12 NPSM	39/64"
1455	2-13/16"	3/4"	1-13/16"	1-1/4" - 11-1/2 NPSM	19/32"
1456	3-1/32"	3/4"	2-1/16"	1-1/2" - 11-1/2 NPSM	11/16"
1458	3-5/32"	3/4"	2-9/16"	2" - 11-1/2 NPSM	3/4"

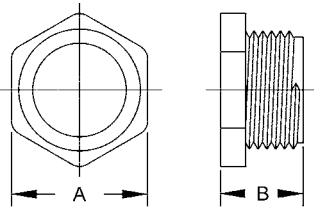
A = Overall length

D = Thread spec

B = Offset

E = Thread length

C = Hub dia.


**Uninsulated Nipples**

CATALOG NUMBER	A	B
1662	15/16"	19/32"
1663	1-3/16"	23/32"
1664	1-3/8"	55/64"
1665	1-47/64"	7/8"
1666	2-1/8"	29/32"
1668	2-35/64"	1-5/32"
1670	3-7/32"	1-7/16"
1672	3-51/64"	1-7/16"
1674	4-17/64"	1-7/16"
1676	4-51/64"	1-7/16"

A = Across flats

B = Length









*In-use Covers and Conduit Bodies*





## STANDARDS

HUBBELL® TAYMAC® UPC Vendor Number 092326 or 050169.

Where applicable, HUBBELL® TAYMAC® products are engineered in accordance with the standards established by Underwriters Laboratories and the Canadian Standards Association. Dimensional data listed in this catalog is intended for general reference with broad tolerance limits.

### 2020 NEC®

When specifying HUBBELL® TAYMAC® Weatherproof boxes and covers, consult the requirements of the National Electrical Code®, Section 314.16 (B) and 406.9 (B). Section 314.16 (B) details the NEC® requirements for the maximum number of conductors allowed for a HUBBELL® TAYMAC® Weatherproof installation. Article 406.9 (B) provides details on the NEC® requirements for receptacles being used in wet locations.

For your convenience, we have reprinted the pertinent NEC® sections. In all cases, consult your local electrical code and inspector interpretation.

### Wiring Capacity: HUBBELL® TAYMAC® Weatherproof Boxes and Extensions

#### Maximum Number of Conductors or Minimum Size Box (Article 314.16 (B))

The purpose of Section 314.16 (B) is to determine the maximum conductor count or the minimum box size required for the job. It also can be used to figure how many other conductors may be added without exceeding the Code-prescribed limit. Most applications have determined the number of conductors. The rules of Section 314.16 (B) are used to determine the Code recognized limit, or smallest box that may be installed.

Selection of any HUBBELL® TAYMAC® Weatherproof box or extension for use in any electrical circuit work must take into consideration the maximum number of wires permitted in the box. Safe electrical practice demands that wires not be jammed into boxes because of the possibility of nicks, abrasions, or other damage to the insulating material, creating the potential for ground faults or short circuits.

#### 314.16 Number of Conductors in Outlet, Device, and Junction Boxes, and Conduit Bodies.

Boxes and conduit bodies shall be of an approved size to provide free space for all enclosed conductors. In no case shall the volume of the box, as calculated in 314.16(A), be less than the fill calculation as calculated in 314.16(B). The minimum volume for conduit bodies shall be as calculated in 314.16(C).

The provisions of this section shall not apply to terminal housings supplied with motors or generators.

Informational Note: For volume requirements of motor or generator terminal housings, see 430.12.

Boxes and conduit bodies enclosing conductors 4 AWG or larger shall also comply with the provisions of 314.28. Outlet and device boxes shall also comply with 314.24.

**(A) Box Volume Calculations.** The volume of a wiring enclosure (box) shall be the total volume of the assembled sections and, where used, the space provided by plaster rings, domed covers, extension rings, and so forth, that are marked with their volume or are made from boxes the dimensions of which are listed in Table 314.16(A). Where a box is provided with one or more securely installed barriers, the volume shall be apportioned to each of the resulting spaces. Each barrier, if not marked with its volume, shall be considered to take up 8.2 cm<sup>3</sup> (1/2 in<sup>3</sup>) if metal, and 16.4 cm<sup>3</sup> (1.0 in<sup>3</sup>) if nonmetallic.

**(1) Standard Boxes.** The volumes of standard boxes that are not marked with their volume shall be as given in Table 314.16(A).

**(2) Other Boxes.** Boxes 1650 cm<sup>3</sup> (100 in.<sup>3</sup>) or less, other than those described in Table 314.16(A), and nonmetallic boxes shall be durably and legibly marked by the manufacturer with their volume(s). Boxes described in Table 314.16(A) that have a volume larger than is designated in the table shall be permitted to have their volume marked as required by this section.

**(B) Box Fill Calculations.** The volumes in paragraphs 314.16(B)(1) through (B)(5), as applicable, shall be added together. No allowance shall be required for small fittings such as locknuts and bushings. Each space within a box installed with a barrier shall be calculated separately.

**(1) Conductor Fill.** Each conductor that originates outside the box and terminates or is spliced within the box shall be counted once, and each conductor that passes through the box without splice or termination shall be counted once. Each loop or coil of unbroken conductor not less than twice the minimum length required for free conductors in 300.14 shall be counted twice. The conductor fill shall be calculated using Table 314.16(B). A conductor, no part of which leaves the box, shall not be counted.

*Exception: An equipment grounding conductor or conductors or not over four fixture wires smaller than 14 AWG, or both, shall be permitted to be omitted from the calculations where they enter a box from a domed luminaire or similar canopy and terminate within that box.*

**(2) Clamp Fill.** Where one or more internal cable clamps, whether factory or field supplied, are present in the box, a single volume allowance in accordance with Table 314.16(B) shall be made based on the largest conductor present in the

box. No allowance shall be required for a cable connector with its clamping mechanism outside the box.

A clamp assembly that incorporates a cable termination for the cable conductors shall be listed and marked for use with specific nonmetallic boxes. Conductors that originate within the clamp assembly shall be included in conductor fill calculations covered in 314.16(B)(1) as though they entered from outside the box. The clamp assembly shall not require a fill allowance, but the volume of the portion of the assembly that remains within the box after installation shall be excluded from the box volume as marked in 314.16(A)(2).

**(3) Support Fittings Fill.** Where one or more luminaire studs or hickey are present in the box, a single volume allowance in accordance with Table 314.16(B) shall be made for each type of fitting based on the largest conductor present in the box.

**(4) Device or Equipment Fill.** For each yoke or strap containing one or more devices or equipment, a double volume allowance in accordance with Table 314.16(B) shall be made for each yoke or strap based on the largest conductor connected to a device(s) or equipment supported by that yoke or strap. A device or utilization equipment wider than a single 50 mm (2 in.) device box as described in Table 314.16(A) shall have double volume allowances provided for each gang required for mounting.

**(5) Equipment Grounding Conductor Fill.** Where up to four equipment grounding conductors or equipment bonding jumpers enter a box, a single volume allowance in accordance with Table 314.16(B) shall be made based on the largest equipment grounding conductor or equipment bonding jumper entering in the box.

A 1/4 volume allowance shall be made for each additional equipment grounding conductor or equipment bonding jumper that enters the box, based on the largest equipment grounding conductor or equipment bonding conductor.

#### (C) Conduit Bodies.

**(1) General.** Conduit bodies enclosing 6 AWG conductors or smaller, other than short-radius conduit bodies as described in 314.16(C)(3), shall have a cross-sectional area not less than twice the cross-sectional area of the largest conduit or tubing to which they can be attached. The maximum number of conductors permitted shall be the maximum number permitted by Table 1 of Chapter 9 for the conduit or tubing to which it is attached.

**(2) With Splices, Taps, or Devices.** Only those conduit bodies that are durably and legibly marked



by the manufacturer with their volume shall be permitted to contain splices, taps, or devices. The maximum number of conductors shall be calculated in accordance with 314.16(B). Conduit bodies shall be supported in a rigid and secure manner.

**(3) Short Radius Conduit Bodies.** Conduit bodies such as capped elbows and service-entrance elbows that enclose conductors 6 AWG or smaller, and are only intended to enable the installation of the raceway and the contained conductors, shall not contain splices, taps, or devices and shall be of an approved size to provide free space for all conductors enclosed in the conduit body.

**406.9 Receptacles in Damp or Wet Locations.**

**(A) Damp Locations.** A receptacle installed outdoors in a location protected from the weather or in other damp locations shall have an enclosure for the receptacle that is weatherproof when the receptacle is covered (attachment plug cap not inserted and receptacle covers closed).

An installation suitable for wet locations shall also be considered suitable for damp locations.

A receptacle shall be considered to be in a location protected from the weather where located under roofed open porches, canopies, marquees, and the like, and will not be subjected to a beat-ing rain or water runoff. All 15- and 20-ampere, 125- and 250-volt nonlocking receptacles shall be a listed weather-resistant type.

Informational Note: The types of receptacles covered by this requirement are identified as 5-15, 5-20, 6-15, and 6-20 in ANSI/NEMA WD 6-2016, Wiring Devices — Dimensional Specifications.

**(B) Wet Locations.**

**(1) Receptacles of 15 and 20 Amperes in a Wet Location.** Receptacles of 15 and 20 amperes, 125 and 250 volts installed in a wet location shall have an enclosure that is weatherproof whether or not the attachment plug cap is inserted. An outlet box hood installed for this purpose shall be listed and shall be identified as “extra-duty.” Other listed products, enclosures, or assemblies providing weatherproof protection that do not utilize an outlet box hood need not be marked “extra duty.”

Informational Note No. 1: Requirements for extra-duty outlet box hoods are found in ANSI/UL 514D-2016, Cover Plates for Flush-Mounted Wiring Devices.

“Extra duty” identification and requirements are not applicable to listed receptacles, faceplates, outlet boxes, enclosures, or assemblies that are identified as either being suitable for wet locations or rated as one of the outdoor enclosure-type numbers of Table 110.28 that does not utilize an outlet box hood.

*Exception: 15- and 20-ampere, 125- through 250-volt receptacles installed in a wet location and subject to routine high-pressure spray washing shall be permitted to have an enclosure that is weatherproof when the attachment plug is removed. All 15- and 20-ampere, 125- and 250-volt nonlocking-type receptacles shall be listed and so identified as the weatherresistant type.*

Informational Note No. 2: The configuration of weatherresistant receptacles covered by this requirement are identified as 5-15, 5-20, 6-15, and 6-20 in ANSI/NEMA WD 6-2016, Wiring Devices — Dimensional Specifications.

**(2) Other Receptacles.** All other receptacles installed in a wet location shall comply with 406.9(B)(2)(a) or (B)(2)(b).

(a) A receptacle installed in a wet location, where the product intended to be plugged into it is not attended while in use, shall have an enclosure that is weatherproof with the attachment plug cap inserted or removed.

(b) A receptacle installed in a wet location where the product intended to be plugged into it will be attended while in use (e.g., portable tools) shall have an enclosure that is weatherproof when the attachment plug is removed.

**(C) Bathtub and Shower Space.** Receptacles shall not be installed within or a zone measured 900 mm (3 ft) horizontally and 2.5 m (8 ft) vertically from the top of the bathtub rim or shower stall threshold. The identified zone is all-encompassing and shall include the space directly over the tub or shower stall.

*Exception: In bathrooms with less than the required zone the receptacle(s) shall be permitted to be installed opposite the bathtub rim or shower stall threshold on the farthest wall within the room.*

**(D) Protection for Floor Receptacles.** Standpipes of floor receptacles shall allow floor-cleaning equipment to be operated without damage to receptacles.

**(E) Flush Mounting with Faceplate.** The enclosure for a receptacle installed in an outlet box flush-mounted in a finished surface shall be made weatherproof by means of a weatherproof faceplate assembly that provides a watertight connection between the plate and the finished surface.

National Electric Code® and NEC® is a registered Trademark of the National Fire Protection Association.

GENERAL FEATURES AND BENEFITS

HUBBELL® TAYMAC® Weatherproof products all offer these features and benefits:

- Rugged seamless die cast construction that will not allow entry of moisture
- Reinforced connector outlets to provide a secure mechanical installation
- State-of-the-art powder coat paint for maximum weatherability and scratch resistance
- Bilingual instructions provided with every product
- Installation hardware and ground screws included where applicable
- Shrink-wrap packaging that keeps all components together
- UPC-A barcoding to help lower transaction costs Refer to the pages that follow for more specific information about HUBBELL® TAYMAC® products.

**Calculate The Minimum Size Box**

Section 314-16(B) describes in detail the method of counting wires, as well as clamps, fittings, or devices (i.e., switches, receptacles, combination devices) — by establishing an equivalent conductor-value for each. These values are added together to get a total number of conductors. The minimum size box is the smallest one in cubic inch size that can accommodate that number of conductors.

**Points to Remember:**

1. No matter how many ground wires come into a box, they only count as one conductor within the box.
2. Any wire running unbroken through the box counts as one wire.
3. Each wire coming into a splice device (crimp or twist-on type) is counted as one wire.

Size of Conductor (AWG)	Free Space Within Box for Each Conductor	cm <sup>3</sup>	in. <sup>3</sup>
18		24.6	1.50
16		28.7	1.75
14		32.8	2.00
12		36.9	2.25
10		41.0	2.50
8		49.2	3.00
6		81.9	5.00

4. Each wire coming into the box and connecting to a device counts as one wire of that size.
5. Where devices are mounted in the box, the total conductor count must be increased by two for each mounting strap.

**Example – TAYMAC® Weatherproof**

Supply power to a single switch with #14 conduc-tors. Metal conduit will be used as the wire way. You must provide space for four conductors and one switch, totally a conductor count of 6. Read across the line in Table 314.16(B) for a #14 conductor. Multiply 6 times the free space within a box. For each conductor for a #14 conductor 2.00. This example requires a minimum box of 12.0 cubic inches.

## NONMETALLIC IN-USE COVERS

### 1-GANG

#### APPLICATIONS

- Designed to provide weatherproof protection while an outlet is in use

#### PRODUCT FEATURES

- High-impact polycarbonate construction provides maximum durability
- Quick-Fit keyhole mounting system allows installation in under a minute
- Includes attached gasket and mounting hardware
- Universal Fit Adapter System Technology (U-Fast) for 16-in-1 configurations, comes pre-configured for GFCI
- Lockable tab (fits up to 1/8" shackle / Extra Duty covers fit up to 1/4" shackle)

#### COMPLIANCES

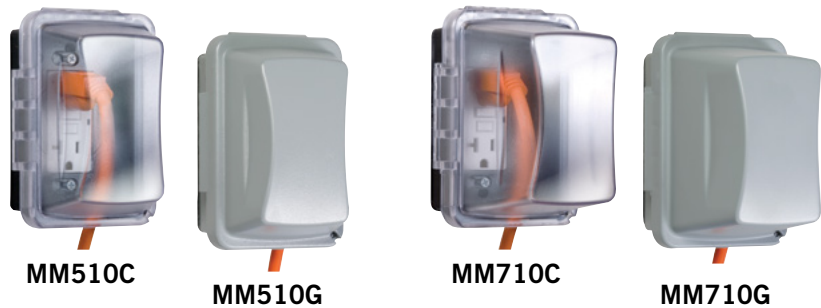
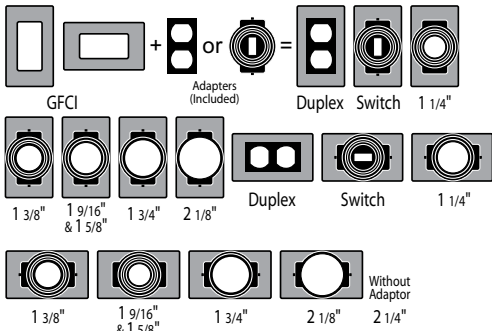
- cULus File E116141
- 2020 NEC® 406.9 (A) compliant
- 2020 NEC® 406.9 (B) compliant (Extra Duty)
- NEMA 3R rated



Fits Full-Size Padlock



## 16-in-1 CONFIGURATIONS



CATALOG #	DESCRIPTION	DEPTH	COLOR	PKG. TYPE	STD. PKG.	BARCODE
<b>1-Gang In-Use Covers</b>						
MM420C	Extra Duty® Horizontal/Vertical 16-in-1 Standard	2.75"	Clear	Shrink	8	
MM420G	Extra Duty® Horizontal/Vertical 16-in-1 Standard	2.75"	Gray	Shrink	8	
MM420W	Extra Duty® Horizontal/Vertical 16-in-1 Standard	2.75"	White	Shrink	8	
MM720C	Extra Duty® Horizontal/Vertical 16-in-1 Jumbo	4.75"	Clear	Shrink	4	
MM720G	Extra Duty® Horizontal/Vertical 16-in-1 Jumbo	4.75"	Gray	Shrink	4	
MM410C	Horizontal/Vertical 16-in-1 Standard	2.75"	Clear	Shrink	10	
MM410CA	Horizontal/Vertical 16-in-1 Standard w/Round Box Adaptor	2.75"	Clear	Shrink	10	
MM410CW	Horizontal/Vertical 16-in-1 Standard	2.75"	Clear w/ White Base	Shrink	10	
MM410G	Horizontal/Vertical 16-in-1 Standard	2.75"	Gray	Shrink	10	
MM410W	Horizontal/Vertical 16-in-1 Standard	2.75"	White	Shrink	10	
MM510C	Horizontal/Vertical 16-in-1 Deep	3.25"	Clear	Shrink	8	
MM510G	Horizontal/Vertical 16-in-1 Deep	3.25"	Gray	Shrink	8	
MM710C	Horizontal/Vertical 16-in-1 Jumbo	4.75"	Clear	Shrink	5	
MM710G	Horizontal/Vertical 16-in-1 Jumbo	4.75"	Gray	Shrink	5	

SEE END OF SECTION (PG C23) FOR DETAILED DRAWINGS >>

2-GANG



MM7420C



MM7420G

**APPLICATIONS**

- Designed to provide weatherproof protection while an outlet is in use

**PRODUCT FEATURES**

- High-impact polycarbonate construction provides maximum durability
- Quick-Fit keyhole mounting system allows installation in under a minute
- Includes attached gasket and mounting hardware
- Universal Fit Adapter System Technology (U-Fast) comes pre-configured for GFCI
- Lockable tab (fits up to 1/8" shackle)
- Made in USA

**COMPLIANCES**

- cULus File E116141
- 2020 NEC® 406.9 (A) compliant (MM7440C and MM7440G)
- 2020 NEC® 406.9 (B) compliant (Extra Duty MM2420C and G) (MM7420C and G)
- NEMA 3R rated

\* MM7440 pre-configured for Duplex.  
MM2410/MM2420 pre-configured for GFCI.



MM2420C



MM2420G



MM2410C



MM2410G

**40-in-1 CONFIGURATIONS**

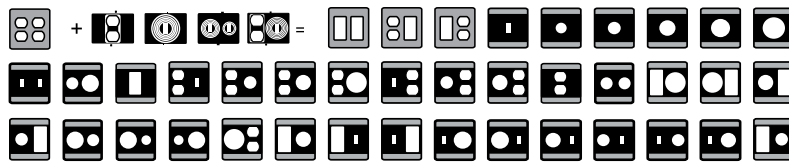
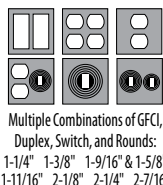


MM7440C



MM7440G

**55-in-1 CONFIGURATIONS**



CATALOG #	DESCRIPTION	DEPTH	COLOR	PKG. TYPE	STD. PKG.	BARCODE
<b>2-Gang In-Use Jumbo Covers</b>						
MM7420C	Extra Duty® 55-in-1 Jumbo	5.00"	Clear	Shrink	3	
MM7420G	Extra Duty® 55-in-1 Jumbo	5.00"	Gray	Shrink	3	
MM7440C	40-in-1 Jumbo	4.75"	Clear	Shrink	3	
MM7440G	40-in-1 Jumbo	4.75"	Gray	Shrink	3	
<b>2-Gang In-Use Covers</b>						
MM2420C	Extra Duty® 55-in-1 Standard	2.75"	Clear	Shrink	6	
MM2420G	Extra Duty® 55-in-1 Standard	2.75"	Gray	Shrink	4	
MM2410C	55-in-1 Standard	2.75"	Clear	Shrink	6	
MM2410G	55-in-1 Standard	2.75"	Gray	Shrink	6	

SEE END OF SECTION (PG C24) FOR DETAILED DRAWINGS >>

**NONMETALLIC FLAT DEVICE COVERS**

**1-GANG**

**APPLICATIONS**

- For use whenever weatherproof protection is required for an outdoor receptacle or switch

**PRODUCT FEATURES**

- High-impact polycarbonate construction provides maximum durability
- Quick-Fit keyhole mounting system allows installation in under a minute
- Includes attached gasket and mounting hardware
- Universal Fit Adapter System Technology (U-Fast) comes pre-configured for GFCI
- Lockable tab (fits up to 1/8" shackle)
- Made in USA

**COMPLIANCES**

- cULus File E116141
- 2020 NEC® 406.9 (A) compliant (MM1410C, G, and W)
- NEMA 3R rated



MM110C



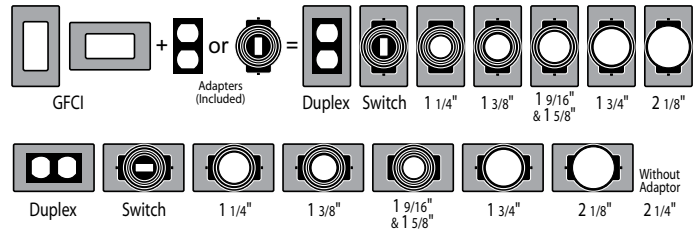
MM110G



MM110W

**16-in-1**

**CONFIGURATIONS**



**2-GANG**



MM1410C

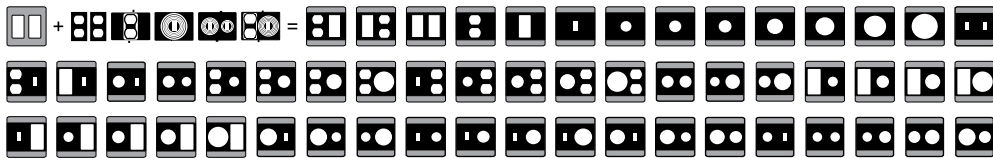


MM1410G



MM1410W

**55-in-1**  
**CONFIGURATIONS**



Multiple combinations of duplex, GFCI, switch, and rounds: 1-1/4", 1-3/8", 1-9/16", 1-5/8", 1-11/16", 1-3/4", 2-1/8", 2-1/4", 2-7/16"

CATALOG #	DESCRIPTION	DEPTH	COLOR	PKG. TYPE	STD. PKG.	BARCODE
<b>1-Gang Flat Covers</b>						
MM110C	Horizontal/Vertical 16-in-1	.625"	Clear	Shrink	10	
MM110G	Horizontal/Vertical 16-in-1	.625"	Gray	Shrink	10	
MM110W	Horizontal/Vertical 16-in-1	.625"	White	Shrink	10	
<b>2-Gang Flat Covers</b>						
MM1410C	55-in-1 Standard	.625"	Clear	Shrink	10	
MM1410G	55-in-1 Standard	.625"	Gray	Shrink	10	
MM1410W	55-in-1 Standard	.625"	White	Shrink	10	

SEE END OF SECTION (PG C24) FOR DETAILED DRAWINGS >>





**1-GANG**



**APPLICATIONS**

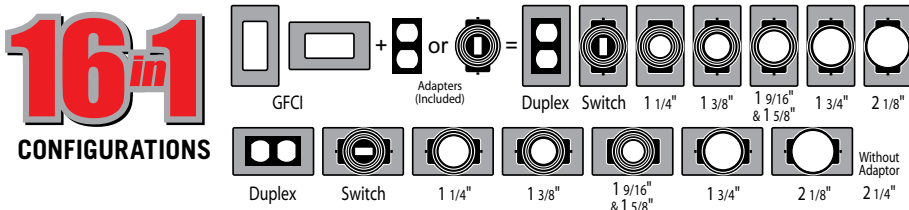
- Expandable design for weatherproof protection while an outlet is in use

**PRODUCT FEATURES**

- Revolutionary patented design expands from 1" to 3" for in-use needs
- 100% paintable surface
- Ultra rugged polycarbonate & synthetic neoprene rubber will not dry rot, crack or deteriorate in sunlight
- Includes attached gasket and mounting hardware
- Quick-Fit keyhole mounting system allows installation in under a minute
- Universal Fit Adapter System Technology (U-Fast) comes pre-configured for GFCI

**COMPLIANCES**

- cULus File E116141
- 2020 NEC® 406.9 (A) compliant
- 2020 NEC® 406.9 (B) compliant (Extra Duty)
- NEMA 3R rated



**2-GANG**



**55-in-1 CONFIGURATIONS**



Multiple Combinations of GFCI, Duplex, Switch, and Rounds:  
1-1/4" 1-3/8" 1-9/16" 1-11/16" 2-1/8" 2-1/4" 2-7/16" & 1-5/8"

CATALOG #	DESCRIPTION	DEPTH	COLOR	PKG. TYPE	STD. PKG.	BARCODE
<b>1-Gang Flat Expandable In-Use Covers</b>						
ML500G	Extra Duty® 16-in-1 Flat Expandable Vertical/Horizontal	1" to 3"	Gray	Shrink	10	
ML500W	Extra Duty® 16-in-1 Flat Expandable Vertical/Horizontal	1" to 3"	White	Shrink	10	
ML500Z	Extra Duty® 16-in-1 Flat Expandable Vertical/Horizontal	1" to 3"	Bronze	Shrink	10	
ML450G	16-in-1 Flat Expandable Vertical/Horizontal	1" to 3"	Gray	Shrink	10	
ML450W	16-in-1 Flat Expandable Vertical/Horizontal	1" to 3"	White	Shrink	10	
ML450Z	16-in-1 Flat Expandable Vertical/Horizontal	1" to 3"	Bronze	Shrink	10	
<b>2-Gang Flat Expandable In-Use Covers</b>						
ML2500G	Extra Duty® 55-in-1 Flat Expandable	1" to 3"	Gray	Shrink	6	
ML2450G	55-in-1 Flat Expandable	1" to 3"	Gray	Shrink	6	

SEE END OF SECTION (PG C25) FOR DETAILED DRAWINGS >>

**NONMETALLIC FLAT PROFILE IN-USE RECESSED ENCLOSURE**

1-GANG COVER

**APPLICATIONS**

- In-use weatherproof enclosures can be used in new or old work, and are compatible with common siding types and materials such as vinyl, wood, stucco, brick or block

**PRODUCT FEATURES**

- Mounts horizontally or vertically
- Accommodates duplex, GFCI or round receptacle (not included)
- Universal Fit Adapter System Technology (U-Fast) comes pre-configured for GFCI
- Electrical box and siding flange included
- For all common siding types and materials (vinyl, wood, stucco, brick or block)
- Installation instructions and mounting hardware included

**COMPLIANCES**

- cUL<sub>us</sub> File E313240
- 2020 NEC® 406.9 (A) compliant
- 2020 NEC® 406.9 (B) compliant (Extra Duty)



MR420CW



MR420CZ



Vinyl Siding



Brick



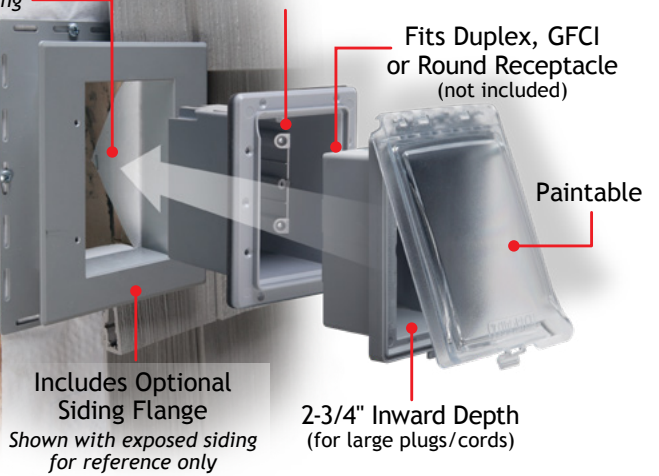
Stucco

Stud or Wall Mount  
Suitable for 2x4 framing (depth) or larger

**Electrical Box**  
21.0 CU IN wiring capacity  
(4) NM Sheathed cable clamps  
(2) 0.5"/0.75" eccentric knockouts

Fits Duplex, GFCI or Round Receptacle (not included)

Paintable



Includes Optional Siding Flange  
Shown with exposed siding for reference only

2-3/4" Inward Depth (for large plugs/cords)

CATALOG #	DESCRIPTION	DEPTH	COLOR	PKG. TYPE	STD. PKG.	BARCODE
<b>Weatherproof In-Use Recessed Enclosure</b>						
MR420CG	Extra Duty® Weatherproof In-Use Recessed Enclosure	4.98"	Gray	Boxed	4	
MR420CW	Extra Duty® Weatherproof In-Use Recessed Enclosure	4.98"	White	Boxed	4	
MR420CZ	Extra Duty® Weatherproof In-Use Recessed Enclosure	4.98"	Bronze	Boxed	4	

SEE END OF SECTION (PG C25) FOR DETAILED DRAWINGS >>





1-GANG COVER AND KIT

**APPLICATIONS**

- Provides safe, code-compliant way to add an outlet to raised outdoor floors
- Suitable for lights, fans, device chargers and other electric appliances
- Protects from water spray, rain or snow
- Cost effective upgrade for today's outdoor living

**PRODUCT FEATURES**

- Provides convenient power access on raised wood or composite decks and porches
- Low profile design meets ADA standards, includes beveled edge and slip-resistant texture
- Heavy duty UV-resistant polycarbonate for durability even in harsh environments
- Cord hooks hold two power cords in place, including most 16 gauge grounded extension cords
- Fits standard duplex, decorator and GFCI receptacles
- Rain chamber and "drip loop" design provide two levels of in-use protection
- Pre-attached weatherproof gasket keeps water from entering around the self-closing lid

**COMPLIANCES**

- cUL<sup>us</sup> Listed
- NEC & NEMA 3R Compliant



**Complete Kit**

**KIT DOCKG320G**

**DOC320G**  
(cover only)

**KIT DOCKG320W**

**DOC320W**  
(cover only)

**KIT DOCKG320Z**

**DOC320Z**  
(cover only)



*Enhance Your Outdoor Space!*

CATALOG #	DESCRIPTION	DIMS.	COLOR	PKG. TYPE	STD. PKG.	BAR CODE
<b>Weatherproof Deck Outlet Cover</b>						
<b>DOC320G</b>	1-Gang, Deck Outlet Cover	7.125" x 3.25" x 8.5"	Gray	Box	4	
<b>DOC320W</b>	1-Gang, Deck Outlet Cover	7.125" x 3.25" x 8.5"	White	Box	4	
<b>DOC320Z</b>	1-Gang, Deck Outlet Cover	7.125" x 3.25" x 8.5"	Bronze	Box	4	
<b>Weatherproof Deck Outlet Kit</b>						
<b>DOCKG320G</b>	1-Gang, Deck Outlet Cover, 1-Gang metallic outlet box & Hubbell Pro GFCI	7.125" x 3.25" x 8.5"	Gray	Box	4	
<b>DOCKG320W</b>	1-Gang, Deck Outlet Cover, 1-Gang metallic outlet box & Hubbell Pro GFCI	7.125" x 3.25" x 8.5"	White	Box	4	
<b>DOCKG320Z</b>	1-Gang, Deck Outlet Cover, 1-Gang metallic outlet box & Hubbell Pro GFCI	7.125" x 3.25" x 8.5"	Bronze	Box	4	

SEE END OF SECTION (PG C25-C26) FOR DETAILED DRAWINGS >>

## NONMETALLIC RECEPTACLE / COVER COMBOS AND COMPLETE KITS

### IN-USE COVER COMBOS AND COMPLETE KITS

#### APPLICATIONS

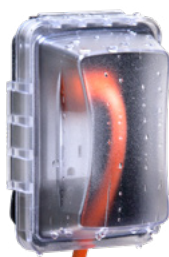
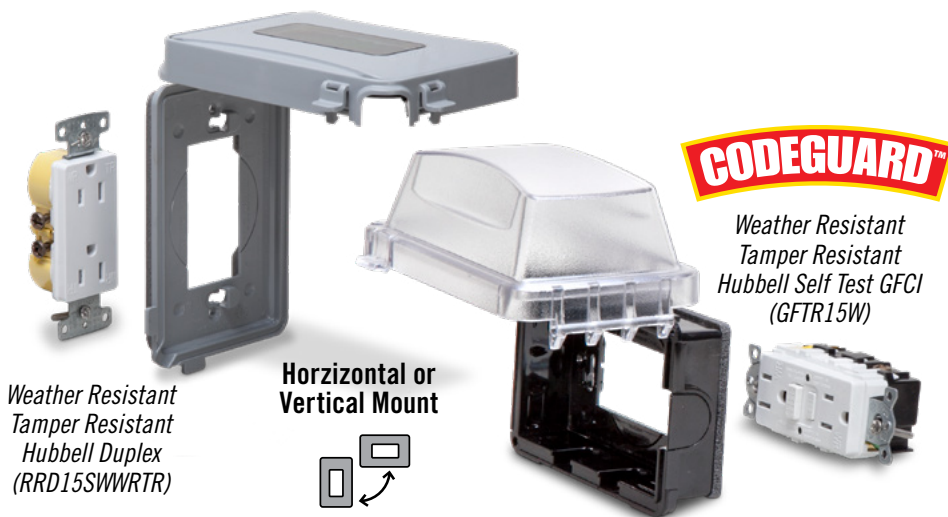
- Receptacle and cover combos for use whenever weatherproof protection is required while receptacle is in use

#### PRODUCT FEATURES

- High quality Hubbell WR/TR device included
- Quick-Fit keyhole mounting system allows cover installation in under a minute
- Universal Fit Adapter System Technology (U-Fast) comes pre-configured for GFCI
- Includes attached gasket and hardware
- Includes receptacle and cover
- Installation instructions and mounting hardware included

#### COMPLIANCES

- cUL<sub>us</sub> File E313240
- 2020 NEC<sup>®</sup> 406.9 (A) compliant
- 2020 NEC<sup>®</sup> 406.9 (B) compliant (Extra Duty)
- NEMA 3R rated



**MD410C**



**MG510CS**  
*Includes Self Test GFCI*



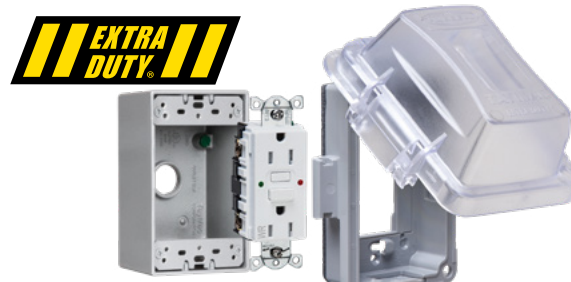
**MG420CS**  
*Includes Self Test GFCI*



**MD450G**



**MG500GS**  
*Includes Self Test GFCI*



**MKG420CS**  
*Includes Self Test GFCI*

CATALOG #	DESCRIPTION	DEPTH	COLOR	PKG. TYPE	STD. PKG.	BARCODE
<b>Receptacle / In-Use Cover Combos</b>						
<b>MG420CS</b>	Extra Duty <sup>®</sup> Hubbell WR/TR 15 AMP Self Test GFCI / Cover Combo	2.75"	Clear	Shrink	4	
<b>MD410C</b>	Hubbell WR/TR 15 AMP Decorator Duplex / Cover Combo	2.75"	Clear	Shrink	10	
<b>MG510CS</b>	Hubbell WR/TR 15 AMP Self Test GFCI / Deep Cover Combo	3.25"	Clear	Shrink	8	
<b>MD450G</b>	Hubbell WR/TR 15 AMP Duplex/Expandable Cover Combo	1" to 3"	Gray	Shrink	8	
<b>MG500GS</b>	Extra Duty <sup>®</sup> Hubbell WR/TR 15 AMP GFCI/Expandable Cover Combo	1" to 3"	Gray	Shrink	6	
<b>Complete In-Use Cover Kits</b>						
<b>MKG420CS</b>	Extra Duty <sup>®</sup> In-Use Cover, Box and Hubbell WR/TR 15A Self Test GFCI Kit	2.75"	Clear	Shrink	4	

SEE END OF SECTION (PG C26 - C27) FOR DETAILED DRAWINGS >>



IN-USE METAL COVER COMBOS AND COMPLETE KITS

**CODEGUARD™**



MD5881-0

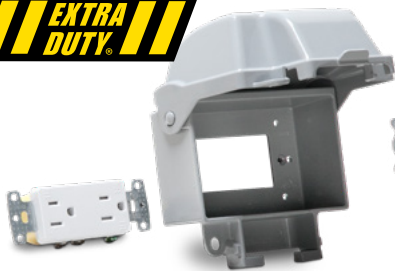
**EXTRA DUTY®**



MG5881-0

**EXTRA DUTY®**

**EXTRA DUTY®**



MD5802-0



MG5802-0

**EXTRA DUTY®**



**MKG4280SS**

*Includes Self Test GFCI*

**APPLICATIONS**

- Receptacle and metal cover combos for use whenever weatherproof protection is required

**PRODUCT FEATURES**

- High quality Hubbell WR/TR device included
- Heavy duty die-cast metal construction
- Includes gasket and mounting hardware
- Durable powder coat finish
- Lockable tab
- Includes receptacle and cover

**COMPLIANCES**

- File E212332
- 2020 NEC® 406.9 (B) compliant (Extra Duty)
- NEMA 3R rated

CATALOG #	DESCRIPTION	DEPTH	COLOR	PKG. TYPE	STD. PKG.	BARCODE
<b>Receptacle / Metal In-Use Cover Combos</b>						
MD5881-0	Extra Duty® Hubbell WR/TR 15A Duplex / Vertical In-Use Metal Cover Combo	3"	Gray	Shrink	4	
MG5802-0	Extra Duty® Hubbell WR/TR 15A GFCI / Horizontal In-Use Metal Cover Combo	3"	Gray	Shrink	3	
MG5881-0	Extra Duty® Hubbell WR/TR 15A GFCI / Vertical In-Use Metal Cover Combo	3"	Gray	Shrink	4	
MD5802-0	Extra Duty® Hubbell WR/TR 15A Duplex / Horizontal In-Use Metal Cover Combo	3"	Gray	Shrink	3	
<b>Complete Metal In-Use Cover Kits</b>						
MKG4280SS	Extra Duty® In-Use Cover, Box and Hubbell WR/TR 15A Self Test GFCI	2" to 3.5"	Gray	Clamshell	4	

SEE END OF SECTION (PG C27) FOR DETAILED DRAWINGS >>



**METAL IN-USE COVERS**

IN-USE METAL COVERS

**APPLICATIONS**

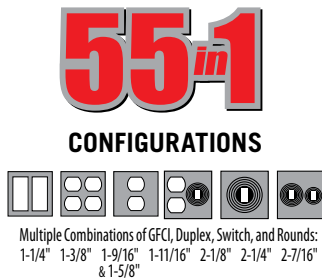
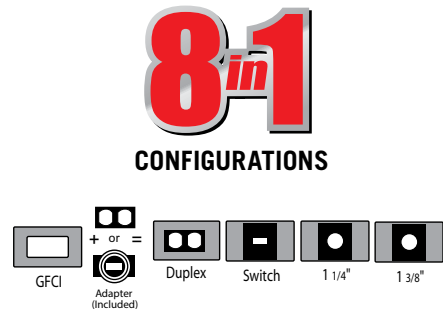
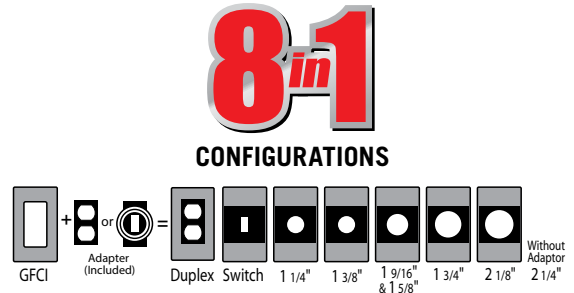
- Designed to provide weatherproof protection while an outlet is in use

**PRODUCT FEATURES**

- Heavy duty die-cast metal construction
- Meets or exceeds Extra Duty® specifications
- Quick-Fit keyhole mounting system allows cover installation in under a minute
- Includes gasket and mounting hardware
- Universal Fit Adapter System Technology (U-Fast) comes pre-configured for GFCI
- Durable powder coat finish
- Lockable tab (fits up to 1/4" shackle)

**COMPLIANCES**

- cULus File E212332
- 2020 NEC® compliant
- NEMA 3R rated



CATALOG #	DESCRIPTION	DEPTH	COLOR	PKG. TYPE	STD. PKG.	BARCODE
<b>Metal In-Use Covers</b>						
MX3200	Extra Duty® Vertical 8-in-1	3.125"	Gray	Shrink	4	
MX3300	Extra Duty® Horizontal 8-in-1	3.5"	Gray	Shrink	4	
MX6200	Extra Duty® 2-Gang 55-in-1	3.5"	Gray	Shrink	4	
MX7200	Extra Duty® Jumbo 2-Gang 55-in-1	5.125"	Gray	Shrink	2	

SEE END OF SECTION (PG C28) FOR DETAILED DRAWINGS >>



IN-USE LOW PROFILE METAL COVERS



MX4280S



MX4280WH

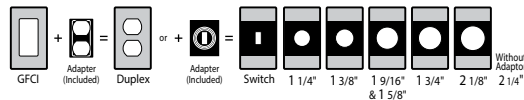


MX4280Z



**8-in-1**

CONFIGURATIONS



APPLICATIONS

- Designed to provide weatherproof protection while an outlet is in use

PRODUCT FEATURES

- Heavy duty die-cast metal construction
- Meets or exceeds Extra Duty® specifications
- Quick-Fit keyhole mounting system allows cover installation in under a minute
- Includes gasket and mounting hardware
- Universal Fit Adapter System Technology (U-Fast) comes pre-configured for GFCI
- Durable powder coat finish
- Lockable open or closed and fits fullsize padlock (up to 5/16" shackle)

COMPLIANCES

- cULus File E212332
- 2020 NEC® compliant
- NEMA 3R rated

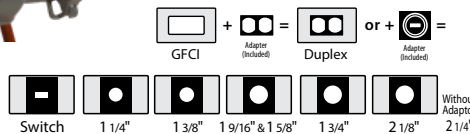


MX4380S



**8-in-1**

CONFIGURATIONS

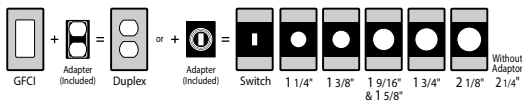


MX5280S



**8-in-1**

CONFIGURATIONS



MX7280S



**55-in-1**

CONFIGURATIONS



Multiple Combinations of GFCI, Duplex, Switch, and Rounds:  
1-1/4" 1-3/8" 1-9/16" 1-11/16" 2-1/8" 2-1/4" 2-7/16" & 1-5/8"

CATALOG #	DESCRIPTION	DEPTH	COLOR	PKG. TYPE	STD. PKG.	BARCODE
<b>Metal Low Profile In-Use Covers</b>						
MX4280S	Extra Duty® Vertical 8-in-1	2" to 3-1/2"	Gray	Shrink	6	
MX4280WH	Extra Duty® Vertical 8-in-1	2" to 3-1/2"	White	Shrink	6	
MX4280Z	Extra Duty® Vertical 8-in-1	2" to 3-1/2"	Bronze	Shrink	6	
MX4380S	Extra Duty® Horizontal 8-in-1	2" to 3-1/2"	Gray	Shrink	4	
MX5280S	Extra Duty® Vertical Deep 8-in-1	2-1/2" to 4-1/2"	Gray	Shrink	2	
MX7280S	Extra Duty® Vertical 2-Gang 55-in-1	2" to 3-1/2"	Gray	Shrink	2	

SEE END OF SECTION (PG C28) FOR DETAILED DRAWINGS >>

**WEATHERPROOF ACCESSORIES**

ACCESSORIES

**APPLICATIONS**

- Use in conjunction with other weatherproof products



**GS100**



**GS400**



**PRBA400G**



**GK300**



**SG100S**

CATALOG #	DESCRIPTION	COLOR	PKG. TYPE	STD. PKG.	BARCODE
<b>Gaskets</b>					
<b>GK300</b>	Kit of Six Gaskets: (2) 1-Gang, (2) 2-Gang and (2) Round Outlet Box	Black	Poly Bag	10	
<b>GS100</b>	2 Pack 1-Gang Gaskets	Black	Poly Bag	10	
<b>GS400</b>	2 Pack 3-Gang Gaskets	Black	Poly Bag	10	
<b>Ground Spike</b>					
<b>SG100S</b>	9" Die Cast Metal, Fits 1/2" Hole	Gray	Open	12	
<b>Round Box Adapter</b>					
<b>PRBA400G</b>	Plastic Round Box Adapter (Use to install outdoor device cover on round receptacle box)	Gray	Shrink	10	

SEE END OF SECTION (PG C29) FOR DETAILED DRAWINGS >>





**RIGID/IMC CONDUIT BODIES**

**RLB050 - RLB400**

**LB050 - LB400**

**RLC050 - RLC400**

**RLL050 - RLL400**

**LL050 - LL400**
**APPLICATIONS**

- For use with threaded Rigid/IMC conduit for pulling access or to split a run into multiple directions. Removable cover included with complete assemblies allow access for maintenance and making taps and splices to conductors.

**PRODUCT FEATURES**

- Durable die-cast aluminum construction
- Premium powder coat finish
- Complete assemblies include a NBR synthetic rubber gasket and a stamped aluminum cover with combination head screws

**COMPLIANCES**

- cULus File E331564
- 2020 NEC® compliant
- NEMA 3R rated

CATALOG #	DESCRIPTION	UNIT CTN QTY	SHIP CTN QTY	BARCODE
<b>Threaded Conduit Fittings: LB Assembly</b>				
RLB050	1/2" Rigid LB Assembly	-	10	
RLB075	3/4" Rigid LB Assembly	-	10	
RLB100	1" Rigid LB Assembly	-	5	
RLB125	1-1/4" Rigid LB Assembly	-	2	
RLB150	1-1/2" Rigid LB Assembly	-	2	
RLB200	2" Rigid LB Assembly	-	2	
RLB250	2-1/2" Rigid LB Assembly	-	1	
RLB300	3" Rigid LB Assembly	-	1	
RLB350	3-1/2" Rigid LB Assembly	-	1	
RLB400	4" Rigid LB Assembly	-	1	
<b>Threaded Conduit Fittings: LB Body</b>				
LB050	1/2" Rigid LB Type Body	10	100	
LB075	3/4" Rigid LB Type Body	10	50	
LB100	1" Rigid LB Type Body	5	25	
LB125	1-1/4" Rigid LB Type Body	2	10	
LB150	1-1/2" Rigid LB Type Body	2	10	
LB200	2" Rigid LB Type Body	1	5	
LB250	2-1/2" Rigid LB Type Body	-	1	
LB300	3" Rigid LB Type Body	-	1	
LB350	3-1/2" Rigid LB Type Body	-	1	
LB400	4" Rigid LB Type Body	-	1	
<b>Threaded Conduit Fittings: C Assembly</b>				
RLC050	1/2" Rigid C Assembly	-	5	
RLC075	3/4" Rigid C Assembly	-	5	
RLC100	1" Rigid C Assembly	-	5	
RLC125	1-1/4" Rigid C Assembly	-	2	
RLC150	1-1/2" Rigid C Assembly	-	2	
RLC200	2" Rigid C Assembly	-	2	
RLC250	2-1/2" Rigid C Assembly	-	1	
RLC300	3" Rigid C Assembly	-	1	
RLC350	3-1/2" Rigid C Assembly	-	1	
RLC400	4" Rigid C Assembly	-	1	

CATALOG #	DESCRIPTION	UNIT CTN QTY	SHIP CTN QTY	BARCODE
<b>Threaded Conduit Fittings: C Body</b>				
RC050	1/2" Rigid C Type Body	10	100	
RC075	3/4" Rigid C Type Body	10	50	
RC100	1" Rigid C Type Body	5	25	
RC125	1-1/4" Rigid C Type Body	2	10	
RC150	1-1/2" Rigid C Type Body	2	10	
RC200	2" Rigid C Type Body	1	5	
RC250	2-1/2" Rigid C Type Body	-	1	
RC300	3" Rigid C Type Body	-	1	
RC350	3-1/2" Rigid C Type Body	-	1	
RC400	4" Rigid C Type Body	-	1	
<b>Threaded Conduit Fittings: LL Assembly</b>				
RLL050	1/2" Rigid LL Assembly	-	5	
RLL075	3/4" Rigid LL Assembly	-	5	
RLL100	1" Rigid LL Assembly	-	5	
RLL125	1-1/4" Rigid LL Assembly	-	2	
RLL150	1-1/2" Rigid LL Assembly	-	2	
RLL200	2" Rigid LL Assembly	-	2	
RLL250	2-1/2" Rigid LL Assembly	-	1	
RLL300	3" Rigid LL Assembly	-	1	
RLL350	3-1/2" Rigid LL Assembly	-	1	
RLL400	4" Rigid LL Assembly	-	1	
<b>Threaded Conduit Fittings: LL Body</b>				
LL050	1/2" Rigid LL Type Body	10	100	
LL075	3/4" Rigid LL Type Body	10	50	
LL100	1" Rigid LL Type Body	5	25	
LL125	1-1/4" Rigid LL Type Body	2	10	
LL150	1-1/2" Rigid LL Type Body	2	10	
LL200	2" Rigid LL Type Body	1	5	
LL250	2-1/2" Rigid LL Type Body	-	1	
LL300	3" Rigid LL Type Body	-	1	
LL350	3-1/2" Rigid LL Type Body	-	1	
LL400	4" Rigid LL Type Body	-	1	

SEE END OF SECTION (PG C30-C31) FOR DETAILED DRAWINGS &gt;&gt;

## CONDUIT BODIES

### RIGID/IMC CONDUIT BODIES

#### APPLICATIONS

- For use with threaded Rigid/IMC conduit for pulling access or to split a run into multiple directions. Removable cover included with complete assemblies allow access for maintenance and making taps and splices to conductors.

#### PRODUCT FEATURES

- Durable die-cast aluminum construction
- Premium powder coat finish
- Complete assemblies include a NBR synthetic rubber gasket and a stamped aluminum cover with combination head screws

#### COMPLIANCES

- cUL<sub>us</sub> File E331564
- 2020 NEC<sup>®</sup> compliant
- NEMA 3R rated



RLR050 - RLR400



LR050 - LR400



RSLB050 - RSLB200



RLT050 - RLT400



T050 - T400

CATALOG #	DESCRIPTION	UNIT CTN QTY	SHIP CTN QTY	BARCODE
<b>Threaded Conduit Fittings: LR Assembly</b>				
RLR050	1/2" Rigid LR Assembly	-	5	
RLR075	3/4" Rigid LR Assembly	-	5	
RLR100	1" Rigid LR Assembly	-	5	
RLR125	1-1/4" Rigid LR Assembly	-	2	
RLR150	1-1/2" Rigid LR Assembly	-	2	
RLR200	2" Rigid LR Assembly	-	2	
RLR250	2-1/2" Rigid LR Assembly	-	1	
RLR300	3" Rigid LR Assembly	-	1	
RLR350	3-1/2" Rigid LR Assembly	-	1	
RLR400	4" Rigid LR Assembly	-	1	
<b>Threaded Conduit Fittings: LR Body</b>				
LR050	1/2" Rigid LR Type Body	10	100	
LR075	3/4" Rigid LR Type Body	10	50	
LR100	1" Rigid LR Type Body	5	25	
LR125	1-1/4" Rigid LR Type Body	2	10	
LR150	1-1/2" Rigid LR Type Body	2	10	
LR200	2" Rigid LR Type Body	1	5	
LR250	2-1/2" Rigid LR Type Body	-	1	
LR300	3" Rigid LR Type Body	-	1	
LR350	3-1/2" Rigid LR Type Body	-	1	
LR400	4" Rigid LR Type Body	-	1	

CATALOG #	DESCRIPTION	UNIT CTN QTY	SHIP CTN QTY	BARCODE
<b>Threaded Conduit Fittings: T Assembly</b>				
RLT050	1/2" Rigid T Assembly	-	5	
RLT075	3/4" Rigid T Assembly	-	5	
RLT100	1" Rigid T Assembly	-	5	
RLT125	1-1/4" Rigid T Assembly	-	2	
RLT150	1-1/2" Rigid T Assembly	-	2	
RLT200	2" Rigid T Assembly	-	2	
RLT250	2-1/2" Rigid T Assembly	-	1	
RLT300	3" Rigid T Assembly	-	1	
RLT350	3-1/2" Rigid T Assembly	-	1	
RLT400	4" Rigid T Assembly	-	1	
<b>Threaded Conduit Fittings: T Body</b>				
T050	1/2" Rigid T Type Body	10	100	
T075	3/4" Rigid T Type Body	10	50	
T100	1" Rigid T Type Body	5	25	
T125	1-1/4" Rigid T Type Body	2	10	
T150	1-1/2" Rigid T Type Body	2	10	
T200	2" Rigid T Type Body	-	2	
T250	2-1/2" Rigid T Type Body	-	1	
T300	3" Rigid T Type Body	-	1	
T350	3-1/2" Rigid T Type Body	-	1	
T400	4" Rigid T Type Body	-	1	

CATALOG #	DESCRIPTION	UNIT CTN QTY	SHIP CTN QTY	BARCODE
<b>Threaded Service Entrance Elbow</b>				
RSLB050	1/2" Rigid SLB	-	10	
RSLB075	3/4" Rigid SLB	-	5	
RSLB100	1" Rigid SLB	-	3	
RSLB125	1-1/4" Rigid SLB	-	2	
RSLB150	1-1/2" Rigid SLB	-	2	
RSLB200	2" Rigid SLB	-	2	

SEE END OF SECTION (PG C31-C32) FOR DETAILED DRAWINGS >>



**EMT CONDUIT BODIES**

**EALB050 - EALB400**

**ELB050 - ELB400**

**EAC050 - EAC400**

**EC050 - EC400**

**EALL050 - EALL400**

**ELL050 - ELL400**
**APPLICATIONS**

- For use with EMT conduit for pulling access or to split a run into multiple directions. Removable cover included with complete assemblies allow access for maintenance and making taps and splices to conductors.

**PRODUCT FEATURES**

- Durable die-cast aluminum construction
- Premium powder coat finish
- Combination head set screws
- Complete assemblies include a NBR synthetic rubber gasket and a stamped aluminum cover with combination head screws

**COMPLIANCES**

- cUL<sub>us</sub> File E331564
- 2020 NEC<sup>®</sup> compliant
- NEMA 3R rated

CATALOG #	DESCRIPTION	UNIT CTN QTY	SHIP CTN QTY	BARCODE
<b>EMT Conduit Fittings: LB Assembly</b>				
EALB050	1/2" EMT LB Assembly	10	100	
EALB075	3/4" EMT LB Assembly	10	50	
EALB100	1" EMT LB Assembly	5	25	
EALB125	1-1/4" EMT LB Assembly	2	10	
EALB150	1-1/2" EMT LB Assembly	2	10	
EALB200	2" EMT LB Assembly	1	5	
EALB250	2-1/2" EMT LB Assembly	-	1	
EALB300	3" EMT LB Assembly	-	1	
EALB350	3-1/2" EMT LB Assembly	-	1	
EALB400	4" EMT LB Assembly	-	1	
<b>EMT Conduit Fittings: LB Body</b>				
ELB050	1/2" EMT LB Type Body	10	100	
ELB075	3/4" EMT LB Type Body	10	50	
ELB100	1" EMT LB Type Body	5	25	
ELB125	1-1/4" EMT LB Type Body	2	10	
ELB150	1-1/2" EMT LB Type Body	2	10	
ELB200	2" EMT LB Type Body	1	5	
ELB250	2-1/2" EMT LB Type Body	-	1	
ELB300	3" EMT LB Type Body	-	1	
ELB350	3-1/2" EMT LB Type Body	-	1	
ELB400	4" EMT LB Type Body	-	1	
<b>EMT Conduit Fittings: C Assembly</b>				
EAC050	1/2" EMT C Assembly	10	100	
EAC075	3/4" EMT C Assembly	5	50	
EAC100	1" EMT C Assembly	5	25	
EAC125	1-1/4" EMT C Assembly	5	25	
EAC150	1-1/2" EMT C Assembly	5	10	
EAC200	2" EMT C Assembly	1	5	
EAC250	2-1/2" EMT C Assembly	-	1	
EAC300	3" EMT C Assembly	-	1	
EAC350	3-1/2" EMT C Assembly	-	1	
EAC400	4" EMT C Assembly	-	1	

CATALOG #	DESCRIPTION	UNIT CTN QTY	SHIP CTN QTY	BARCODE
<b>EMT Conduit Fittings: C Body</b>				
EC050	1/2" EMT C Type Body	10	100	
EC075	3/4" EMT C Type Body	10	50	
EC100	1" EMT C Type Body	5	25	
EC125	1-1/4" EMT C Type Body	2	10	
EC150	1-1/2" EMT C Type Body	2	10	
EC200	2" EMT C Type Body	1	5	
EC250	2-1/2" EMT C Type Body	-	1	
EC300	3" EMT C Type Body	-	1	
EC350	3-1/2" EMT C Type Body	-	1	
EC400	4" EMT C Type Body	-	1	
<b>EMT Conduit Fittings: LL Assembly</b>				
EALL050	1/2" EMT LL Assembly	10	100	
EALL075	3/4" EMT LL Assembly	5	50	
EALL100	1" EMT LL Assembly	5	25	
EALL125	1-1/4" EMT LL Assembly	2	10	
EALL150	1-1/2" EMT LL Assembly	2	10	
EALL200	2" EMT LL Assembly	1	5	
EALL250	2-1/2" EMT LL Assembly	-	1	
EALL300	3" EMT LL Assembly	-	1	
EALL350	3-1/2" EMT LL Assembly	-	1	
EALL400	4" EMT LL Assembly	-	1	
<b>EMT Conduit Fittings: LL Body</b>				
ELL050	1/2" EMT LL Type Body	10	100	
ELL075	3/4" EMT LL Type Body	10	50	
ELL100	1" EMT LL Type Body	5	25	
ELL125	1-1/4" EMT LL Type Body	2	10	
ELL150	1-1/2" EMT LL Type Body	2	10	
ELL200	2" EMT LL Type Body	1	5	
ELL250	2-1/2" EMT LL Type Body	-	1	
ELL300	3" EMT LL Type Body	-	1	
ELL350	3-1/2" EMT LL Type Body	-	1	
ELL400	4" EMT LL Type Body	-	1	

SEE END OF SECTION (PG C32 - C34) FOR DETAILED DRAWINGS &gt;&gt;

## CONDUIT BODIES

### EMT CONDUIT BODIES

#### APPLICATIONS

- For use with EMT conduit for pulling access or to split a run into multiple directions. Removable cover included with complete assemblies allow access for maintenance and making taps and splices to conductors.

#### PRODUCT FEATURES

- Durable die-cast aluminum construction
- Premium powder coat finish
- Combination head set screws
- Complete assemblies include a NBR synthetic rubber gasket and a stamped aluminum cover with combination head screws

#### COMPLIANCES

- cUL<sup>us</sup> File E331564
- 2020 NEC<sup>®</sup> compliant
- NEMA 3R rated



EALR050 - EALR400



ELR050 - ELR400



EAT050 - EAT400



ET050 - ET400

CATALOG #	DESCRIPTION	UNIT CTN QTY	SHIP CTN QTY	BARCODE
<b>EMT Conduit Fittings: LR Assembly</b>				
EALR050	1/2" EMT LR Assembly	10	100	
EALR075	3/4" EMT LR Assembly	5	10	
EALR100	1" EMT LR Assembly	5	25	
EALR125	1-1/4" EMT LR Assembly	2	10	
EALR150	1-1/2" EMT LR Assembly	2	10	
EALR200	2" EMT LR Assembly	1	5	
EALR250	2-1/2" EMT LR Assembly	-	1	
EALR300	3" EMT LR Assembly	-	1	
EALR350	3-1/2" EMT LR Assembly	-	1	
EALR400	4" EMT LR Assembly	-	1	
<b>EMT Conduit Fittings: LR Body</b>				
ELR050	1/2" EMT LR Type Body	10	100	
ELR075	3/4" EMT LR Type Body	10	50	
ELR100	1" EMT LR Type Body	5	25	
ELR125	1-1/4" EMT LR Type Body	2	10	
ELR150	1-1/2" EMT LR Type Body	2	10	
ELR200	2" EMT LR Type Body	1	5	
ELR250	2-1/2" EMT LR Type Body	-	1	
ELR300	3" EMT LR Type Body	-	1	
ELR350	3-1/2" EMT LR Type Body	-	1	
ELR400	4" EMT LR Type Body	-	1	

CATALOG #	DESCRIPTION	UNIT CTN QTY	SHIP CTN QTY	BARCODE
<b>EMT Conduit Fittings: T Assembly</b>				
EAT050	1/2" EMT T Assembly	10	50	
EAT075	3/4" EMT T Assembly	10	50	
EAT100	1" EMT T Assembly	5	25	
EAT125	1-1/4" EMT T Assembly	2	10	
EAT150	1-1/2" EMT T Assembly	2	10	
EAT200	2" EMT T Assembly	-	2	
EAT250	2-1/2" EMT T Assembly	-	1	
EAT300	3" EMT T Assembly	-	1	
EAT350	3-1/2" EMT T Assembly	-	1	
EAT400	4" EMT T Assembly	-	1	
<b>EMT Conduit Fittings: T Body</b>				
ET050	1/2" EMT T Type Body	10	100	
ET075	3/4" EMT T Type Body	10	50	
ET100	1" EMT T Type Body	5	25	
ET125	1-1/4" EMT T Type Body	2	10	
ET150	1-1/2" EMT T Type Body	2	10	
ET200	2" EMT T Type Body	-	2	
ET250	2-1/2" EMT T Type Body	-	1	
ET300	3" EMT T Type Body	-	1	
ET350	3-1/2" EMT T Type Body	-	1	
ET400	4" EMT T Type Body	-	1	

SEE END OF SECTION (PG C34-C35) FOR DETAILED DRAWINGS >>



**COMBO (RIGID/IMC OR EMT) BODIES**

**COLB050 - COLB200**

**CLB050 - CLB200**

**COC050 - COC200**

**CC050 - CC200**
**APPLICATIONS**

- For use with threaded Rigid/IMC or EMT conduit for pulling access or to split a run into multiple directions. Removable cover included with complete assemblies allow access for maintenance and making taps and splices to conductors.

**PRODUCT FEATURES**

- Durable die-cast aluminum construction
- Premium powder coat finish
- Combination head set screws
- Complete assemblies include a NBR synthetic rubber gasket and a stamped aluminum cover with combination head screws

**COMPLIANCES**

- cUL<sup>us</sup> File E331564
- 2020 NEC<sup>®</sup> compliant
- NEMA 3R rated

CATALOG #	DESCRIPTION	UNIT CTN QTY	SHIP CTN QTY	BARCODE
<b>Combo Conduit Fittings: LB Assembly</b>				
COLB050	1/2" Combo LB Assembly	10	100	
COLB075	3/4" Combo LB Assembly	10	50	
COLB100	1" Combo LB Assembly	5	25	
COLB125	1-1/4" Combo LB Assembly	2	10	
COLB150	1-1/2" Combo LB Assembly	2	10	
COLB200	2" Combo LB Assembly	-	5	
<b>Combo Conduit Fittings: LB Body</b>				
CLB050	1/2" Combo LB Type Body	10	100	
CLB075	3/4" Combo LB Type Body	10	50	
CLB100	1" Combo LB Type Body	5	25	
CLB125	1-1/4" Combo LB Type Body	2	10	
CLB150	1-1/2" Combo LB Type Body	2	10	
CLB200	2" Combo LB Type Body	-	5	

CATALOG #	DESCRIPTION	UNIT CTN QTY	SHIP CTN QTY	BARCODE
<b>Combo Conduit Fittings: C Assembly</b>				
COC050	1/2" Combo C Assembly	10	100	
COC075	3/4" Combo C Assembly	10	50	
COC100	1" Combo C Assembly	5	25	
COC125	1-1/4" Combo C Assembly	2	10	
COC150	1-1/2" Combo C Assembly	2	10	
COC200	2" Combo C Assembly	-	5	
<b>Combo Conduit Fittings: C Body</b>				
CC050	1/2" Combo C Type Body	10	100	
CC075	3/4" Combo C Type Body	10	50	
CC0100	1" Combo C Type Body	5	25	
CC0125	1-1/4" Combo C Type Body	2	10	
CC150	1-1/2" Combo C Type Body	2	10	
CC200	2" Combo C Type Body	-	5	

SEE END OF SECTION (PG C36-C38) FOR DETAILED DRAWINGS &gt;&gt;



## CONDUIT BODIES

### COMBO (RIGID/IMC OR EMT) BODIES

#### APPLICATIONS

- For use with EMT conduit for pulling access or to split a run into multiple directions. Removable cover included with complete assemblies allow access for maintenance and making taps and splices to conductors.

#### PRODUCT FEATURES

- Durable die-cast aluminum construction
- Premium powder coat finish
- Combination head set screws
- Complete assemblies include a NBR synthetic rubber gasket and a stamped aluminum cover with combination head screws

#### COMPLIANCES

- cUL<sup>us</sup> File E331564
- 2020 NEC<sup>®</sup> compliant
- NEMA 3R rated



**COLL050 - COLL200**



**CLL050 - CLL200**



**COLR050 - COLR200**



**COT050 - COT200**



**CT050 - CT200**



**CLR050 - CLR200**

CATALOG #	DESCRIPTION	UNIT CTN QTY	SHIP CTN QTY	BARCODE
<b>Combo Conduit Fittings: LL Assembly</b>				
<b>COLL050</b>	1/2" Combo LL Assembly	10	100	
<b>COLL075</b>	3/4" Combo LL Assembly	10	50	
<b>COLL100</b>	1" Combo LL Assembly	5	25	
<b>COLL125</b>	1-1/4" Combo LL Assembly	2	10	
<b>COLL150</b>	1-1/2" Combo LL Assembly	2	10	
<b>COLL200</b>	2" Combo LL Assembly	-	5	
<b>Combo Conduit Fittings: LL Body</b>				
<b>CLL050</b>	1/2" Combo LL Type Body	10	100	
<b>CLL075</b>	3/4" Combo LL Type Body	10	50	
<b>CLL100</b>	1" Combo LL Type Body	5	25	
<b>CLL125</b>	1-1/4" Combo LL Type Body	2	10	
<b>CLL150</b>	1-1/2" Combo LL Type Body	2	10	
<b>CLL200</b>	2" Combo LL Type Body	-	5	
<b>Combo Conduit Fittings: LR Assembly</b>				
<b>COLR050</b>	1/2" Combo LR Assembly	10	100	
<b>COLR075</b>	3/4" Combo LR Assembly	10	50	
<b>COLR100</b>	1" Combo LR Assembly	5	25	
<b>COLR125</b>	1-1/4" Combo LR Assembly	2	10	
<b>COLR150</b>	1-1/2" Combo LR Assembly	2	10	
<b>COLR200</b>	2" Combo LR Assembly	-	5	

CATALOG #	DESCRIPTION	UNIT CTN QTY	SHIP CTN QTY	BARCODE
<b>EMT Conduit Fittings: LR Body</b>				
<b>CLR050</b>	1/2" Combo LR Type Body	10	100	
<b>CLR075</b>	3/4" Combo LR Type Body	10	50	
<b>CLR100</b>	1" Combo LR Type Body	5	25	
<b>CLR125</b>	1-1/4" Combo LR Type Body	2	10	
<b>CLR150</b>	1-1/2" Combo LR Type Body	2	10	
<b>CLR200</b>	2" Combo LR Type Body	-	5	
<b>Combo Conduit Fittings: T Assembly</b>				
<b>COT050</b>	1/2" Combo T Assembly	10	100	
<b>COT075</b>	3/4" Combo T Assembly	10	50	
<b>COT100</b>	1" Combo T Assembly	5	25	
<b>COT125</b>	1-1/4" Combo T Assembly	2	10	
<b>COT150</b>	1-1/2" Combo T Assembly	2	10	
<b>COT200</b>	2" Combo T Assembly	-	5	
<b>Combo Conduit Fittings: T Body</b>				
<b>CT050</b>	1/2" Combo T Type Body	10	100	
<b>CT075</b>	3/4" Combo T Type Body	10	50	
<b>CT100</b>	1" Combo T Type Body	5	25	
<b>CT125</b>	1-1/4" Combo T Type Body	2	10	
<b>CT150</b>	1-1/2" Combo T Type Body	2	10	
<b>CT200</b>	2" Combo T Type Body	-	5	

SEE END OF SECTION (PG C37 - C39) FOR DETAILED DRAWINGS >>





**CONDUIT BODY COVERS**

**Stamped Steel Cover**
**SSC050 - SSC400**

**Stamped Aluminum Cover**
**CSC050 - CSC400**

**Rubber Gasket**
**CRG050 - CRG400**
**APPLICATIONS**

- For use with TayMac threaded Rigid/IMC, EMT, or Combo conduit bodies.

**PRODUCT FEATURES**

- Covers made of durable stamped steel or aluminum construction
- Retained combination head screws included with covers
- Gasket made of NBR synthetic rubber

**COMPLIANCES**

- cULus File E331564
- 2020 NEC® compliant
- NEMA 3R rated

CATALOG #	DESCRIPTION	UNIT CTN QTY	SHIP CTN QTY	BARCODE
<b>Conduit Body Stamped Steel Covers</b>				
SSC050	1/2" Stamped Steel Cover	25	250	
SSC075	3/4" Stamped Steel Cover	25	250	
SSC100	1" Stamped Steel Cover	10	100	
SSC125	1-1/4" Stamped Steel Cover	-	25	
SSC150	1-1/2" Stamped Steel Cover	-	25	
SSC200	2" Stamped Steel Cover	-	25	
SSC250	2-1/2" Stamped Steel Cover	-	10	
SSC300	3" Stamped Steel Cover	-	10	
SSC350	3-1/2" Stamped Steel Cover	-	5	
SSC400	4" Stamped Steel Cover	-	5	

CATALOG #	DESCRIPTION	UNIT CTN QTY	SHIP CTN QTY	BARCODE
<b>Conduit Body Stamped Aluminum Covers</b>				
CSC050	1/2" Stamped Alum. Cover	-	100	
CSC075	3/4" Stamped Alum. Cover	-	100	
CSC100	1" Stamped Alum. Cover	-	50	
CSC125	1-1/4" Stamped Alum. Cover	-	50	
CSC150	1-1/2" Stamped Alum. Cover	-	25	
CSC200	2" Stamped Alum. Cover	-	10	
CSC250	2-1/2" Stamped Alum. Cover	-	10	
CSC300	3" Stamped Alum. Cover	-	10	
CSC350	3-1/2" Stamped Alum. Cover	-	10	
CSC400	4" Stamped Alum. Cover	-	10	

CATALOG #	DESCRIPTION	UNIT CTN QTY	SHIP CTN QTY	BARCODE
<b>Conduit Body Gaskets</b>				
CRG050	1/2" Rubber Gasket	-	500	
CRG075	3/4" Rubber Gasket	-	500	
CRG100	1" Rubber Gasket	-	500	
CRG125	1-1/4" Rubber Gasket	-	200	
CRG150	1-1/2" Rubber Gasket	-	200	
CRG200	2" Rubber Gasket	-	100	
CRG250	2-1/2" Rubber Gasket	-	50	
CRG300	3" Rubber Gasket	-	50	
CRG350	3-1/2" Rubber Gasket	-	50	
CRG400	4" Rubber Gasket	-	50	

SEE END OF SECTION (PG C39) FOR DETAILED DRAWINGS &gt;&gt;

## CONDUIT BODIES

### UNIVERSAL CONDUIT BODIES


#### APPLICATIONS

- For rigid/IMC or EMT. Configures to all standard bodies (LB, LR, LL, T, C)

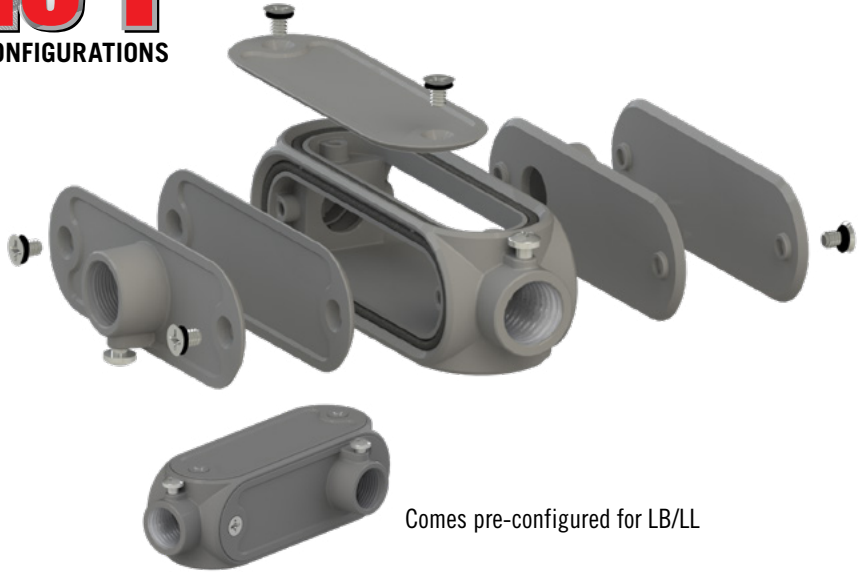
#### PRODUCT FEATURES

- Unique interchangeable panels can be configured to LB, LR, LL, T or C
- Suitable for weatherproof installs
- Use set screws for EMT conduit, and threaded hubs for threaded Rigid/IMC conduit or fittings
- Available in trade sizes 1/2", 3/4" and 1"
- Lightweight, Durable TAYMAC TUFF Die Cast Aluminum Construction
- Seamless pre-affixed gasket and self-aligning covers/panels
- More wiring capacity than standard bodies and meets 2014 NEC 314.16(C)(2) for volume marking
- Tri-combo head set screws
- Unique design lends to easy, time-saving installations
- Captive screws  with attached O-ring for ease of use and a weatherproof seal
- Includes 4 steel reducer bushings in the 1" size – (2) 1" to 3/4", (2) 1" to 1/2"; (2) 3/4" to 1/2" bushings in the 3/4" size
- Not suitable for use in hazardous location applications
- Includes (1) body, (3) blank covers/panels, (1) T panel, (1) LL/LB/LR panel, reducer bushings\*, (1) closure plug and extra hardware

#### COMPLIANCES

-  File E331564
- NEC® and NEMA 3 compliant

**10-in-1**  
CONFIGURATIONS



Comes pre-configured for LB/LL



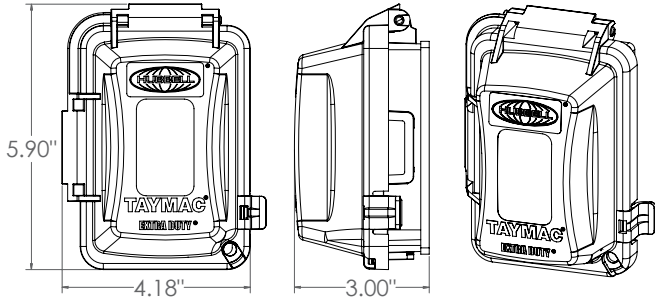
\* 1/2" trade size does not include reducer bushings.

CATALOG #	DESCRIPTION	VOLUME	SHIP CTN QTY	PKG. TYPE	BARCODE
<b>U-Conduit 10-in-1 Universal Conduit Body</b>					
UCB050	1/2" Universal Conduit Body	5.8 cu in (95 cc)	10	Shrink Wrap	
UCB075	3/4" Universal Conduit Body	9.5 cu in (156 cc)	10	Shrink Wrap	
UCB0100	1" Universal Conduit Body	14.3 cu in (234 cc)	10	Shrink Wrap	

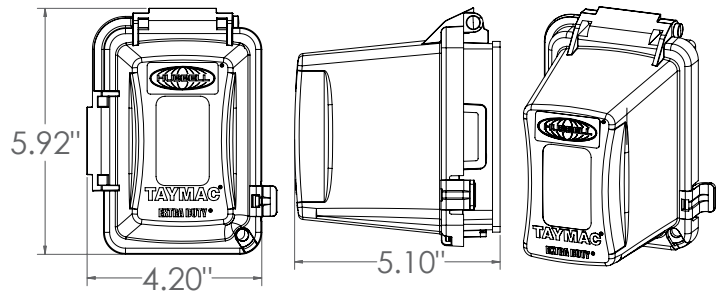
SEE END OF SECTION (PG C40) FOR DETAILED DRAWINGS >>

NONMETALLIC IN-USE COVERS

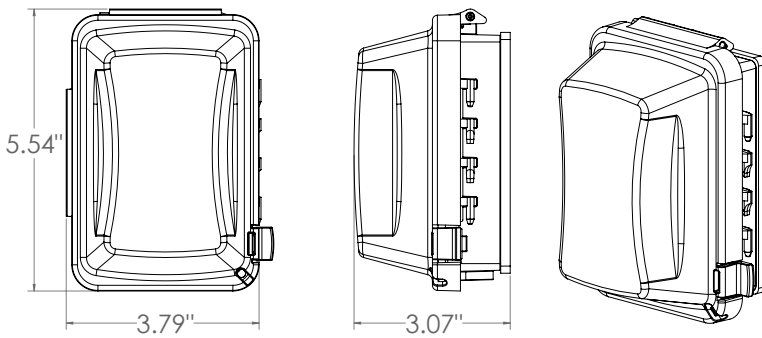
**MM420**



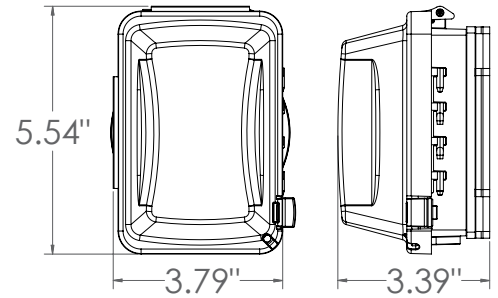
**MM720**



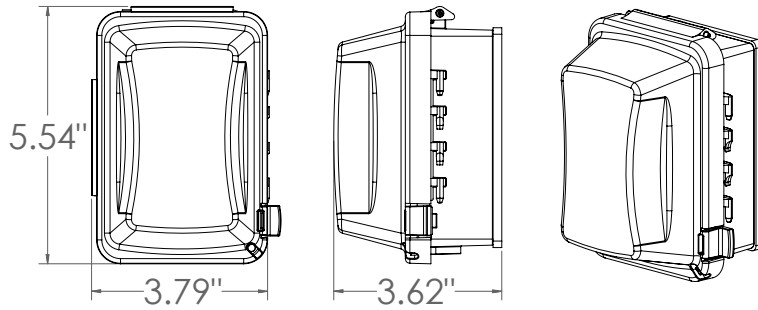
**MM410**



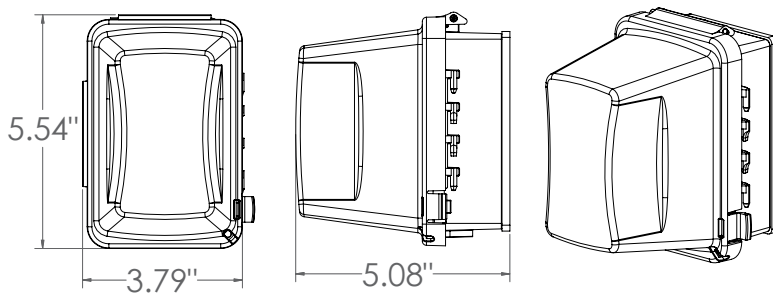
**MM410CA (Round Box Adapter Plate)**



**MM510**



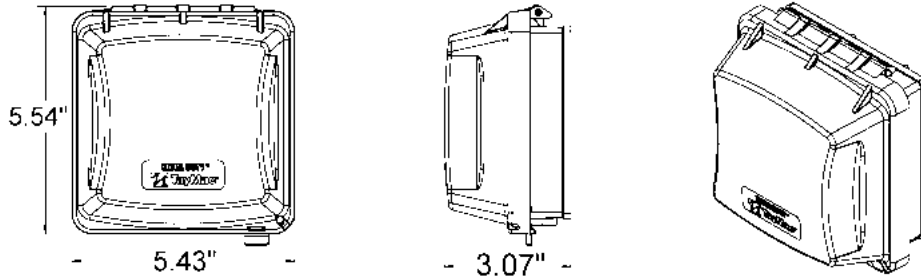
**MM710**



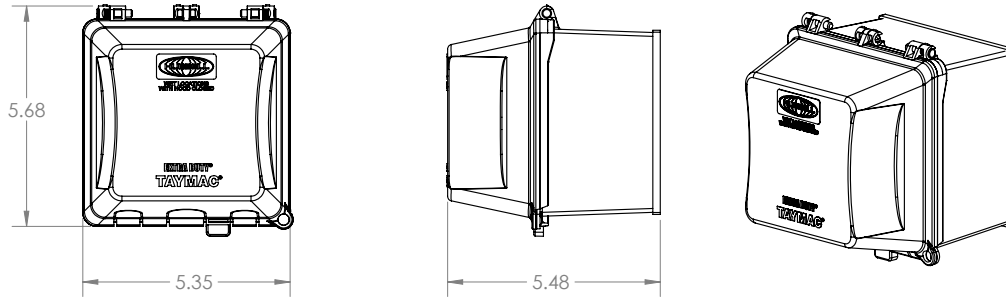
**DETAILED DRAWINGS**

NONMETALLIC IN-USE COVERS

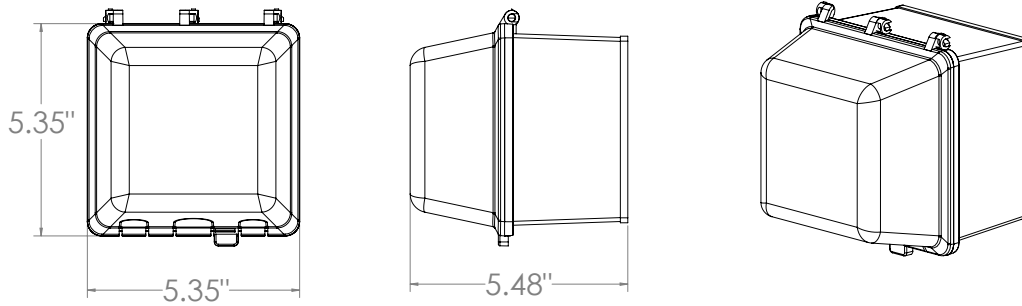
**MM2420**



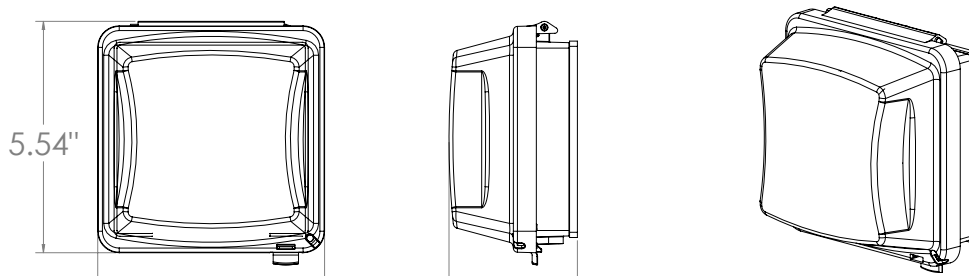
**MM7420**



**MM7440**

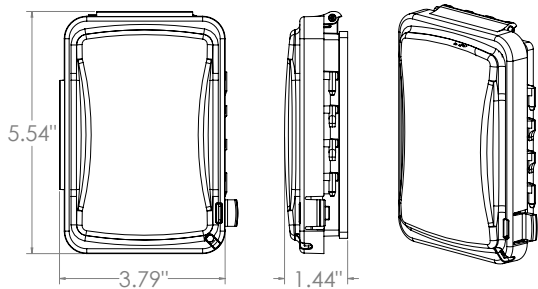


**MM2410**

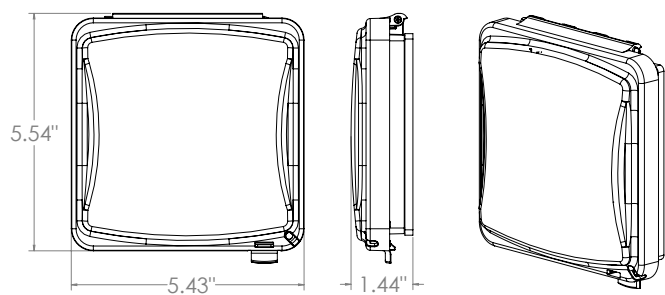


NONMETALLIC FLAT COVERS

**MM110**

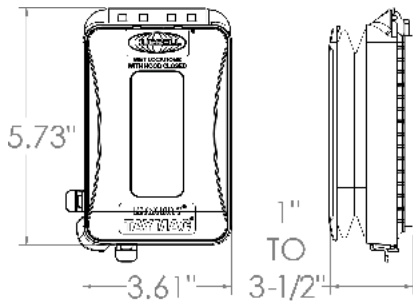


**MM1410**

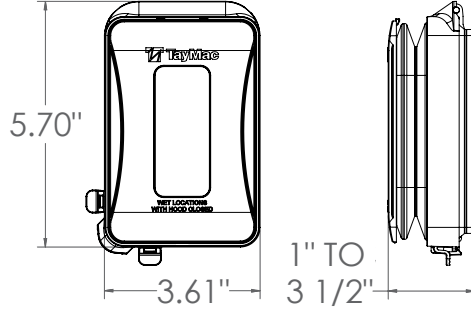


FLAT EXPANDABLE IN-USE COVERS

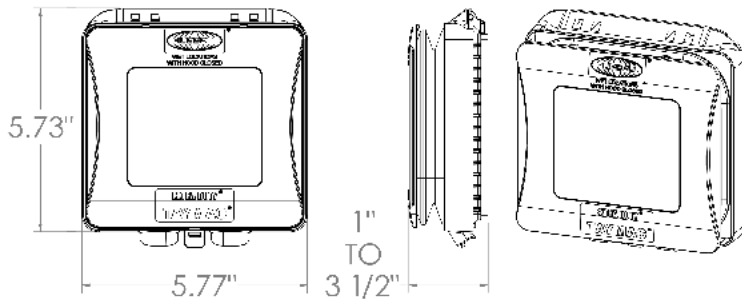
**ML500**



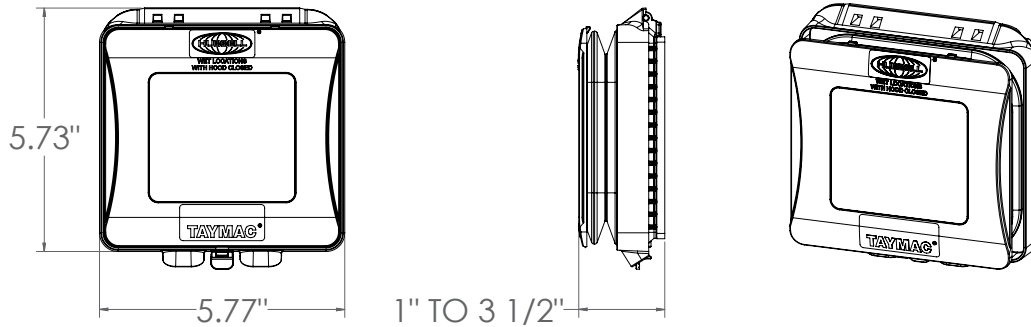
**ML450**



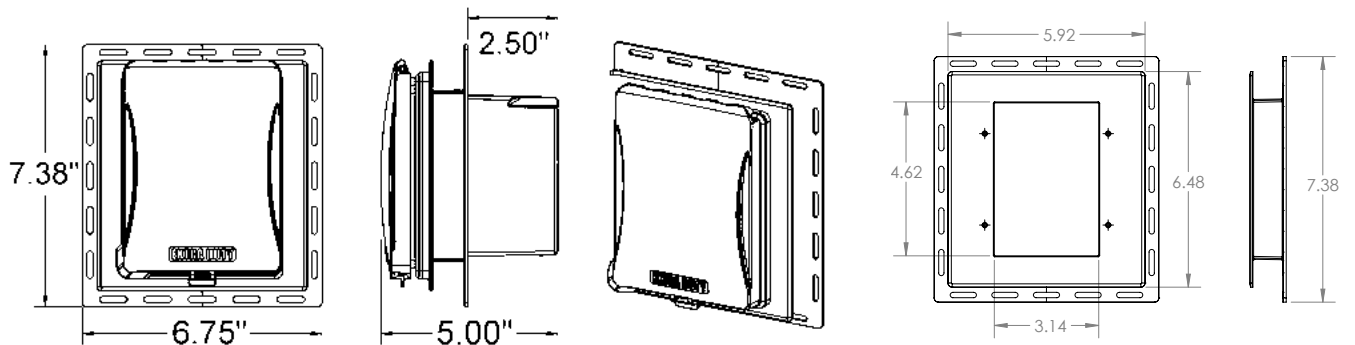
**ML2500**



**ML2450**



**MR420**

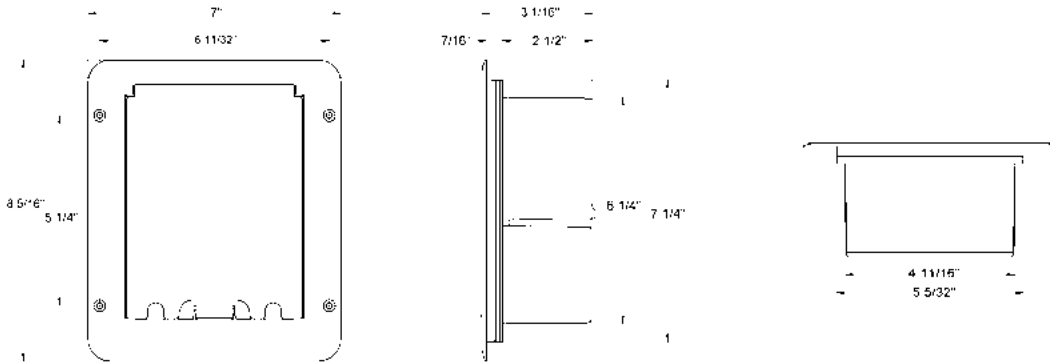


OPTIONAL SIDING FLANGE

**DETAILED DRAWINGS**

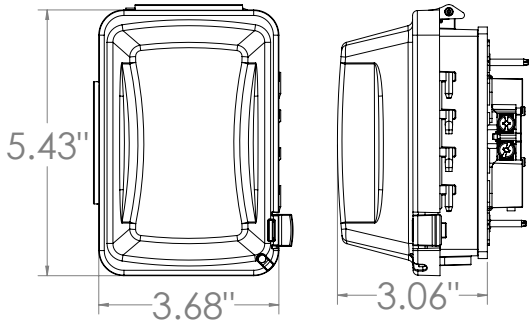
**OUTDOOR OUTLET COVERS**

**DOC320  
DOCKG320**

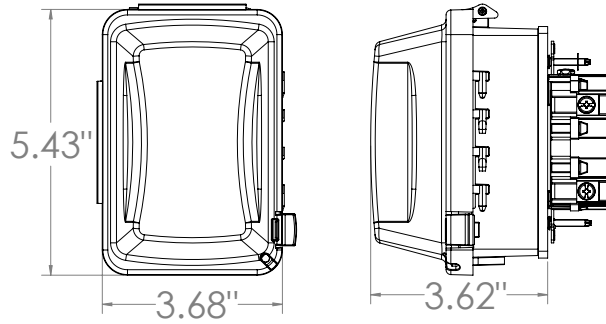


**IN-USE COVER COMBOS**

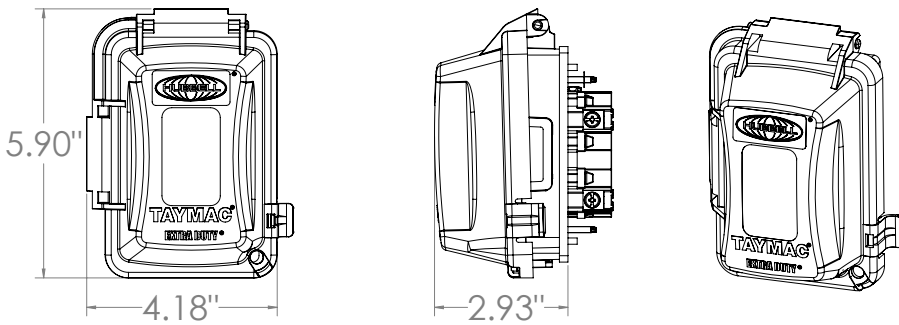
**MD410**



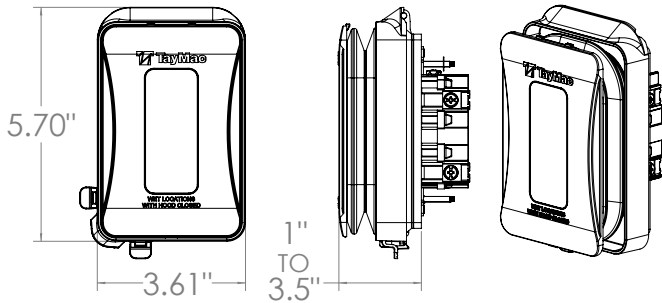
**MG510**



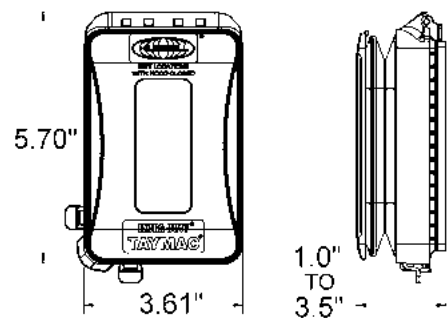
**MG420**



**MD450**



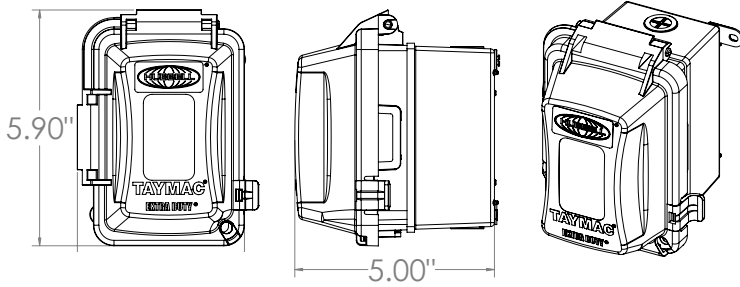
**MG500**





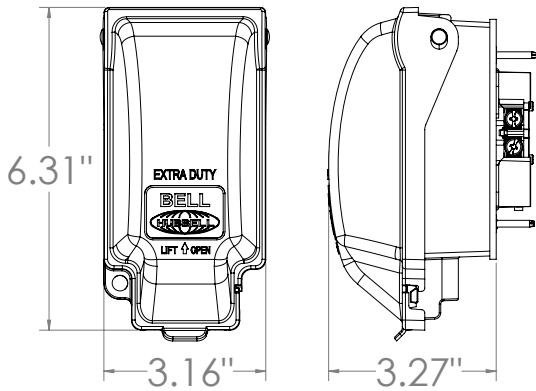
IN-USE COVER COMPLETE KITS

MKG420C

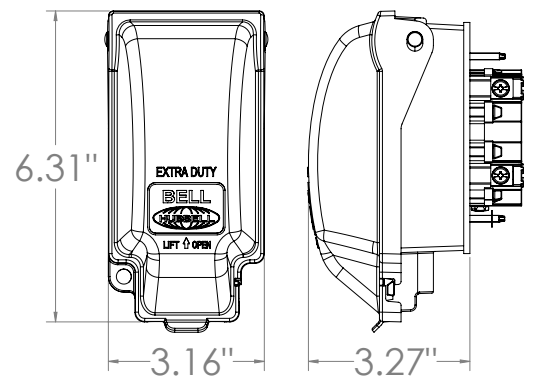


METAL IN-USE COVER COMBOS

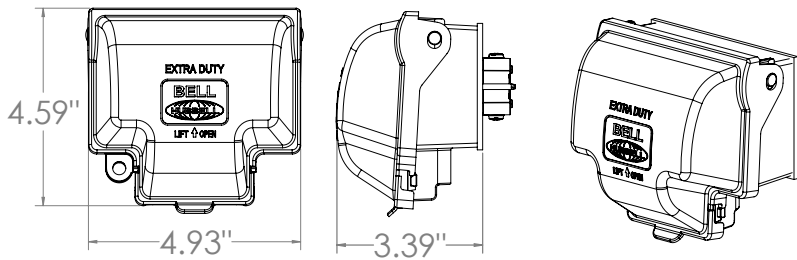
MD5881



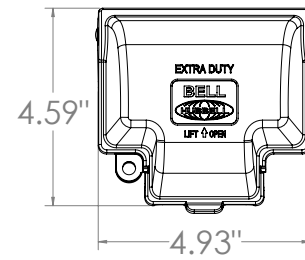
MG5881



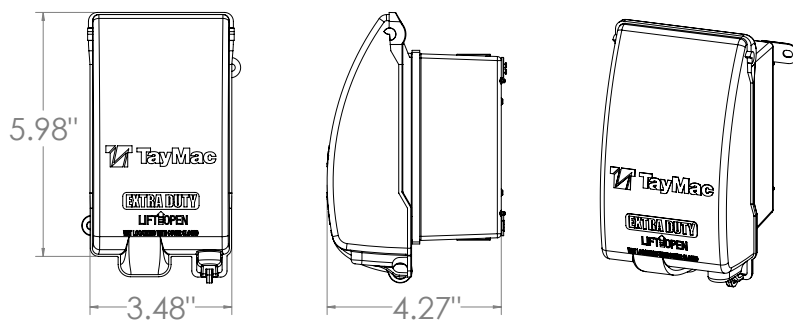
MD5802



MG5802



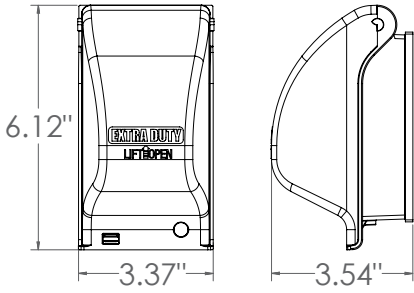
MKG4280S



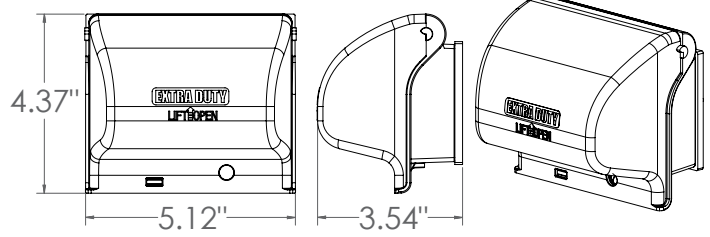
**DETAILED DRAWINGS**

METAL IN-USE COVERS

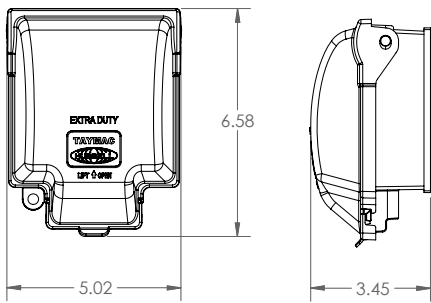
**MX3200**



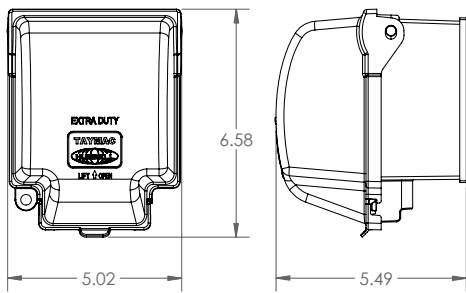
**MX3300**



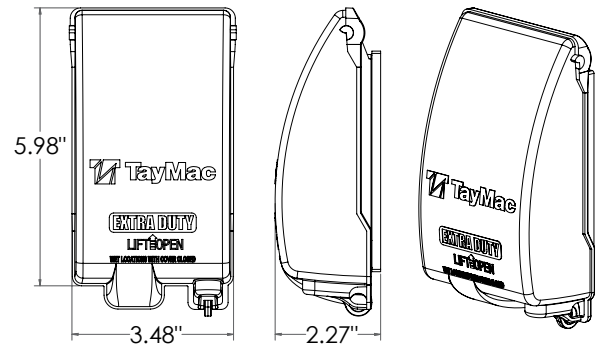
**MX6200**



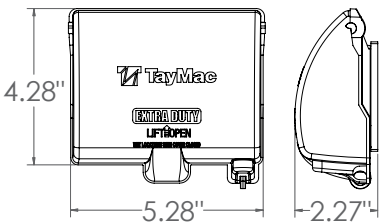
**MX7200**



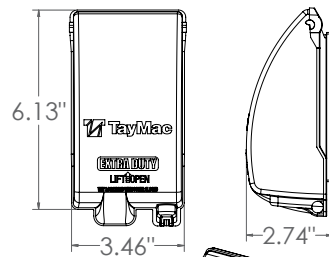
**MX4280S**



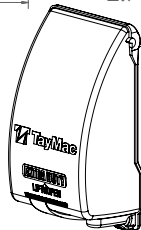
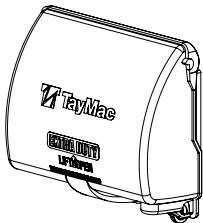
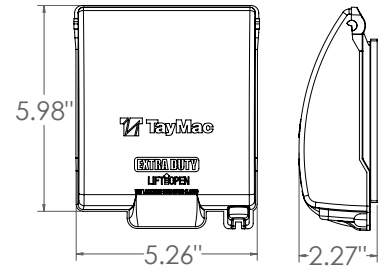
**MX4380S**



**MX5280S**

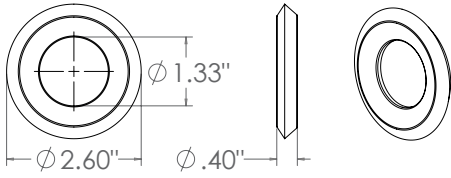


**MX7280S**

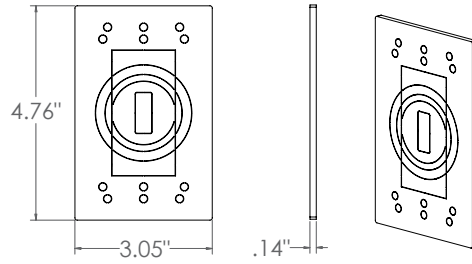


ACCESSORIES

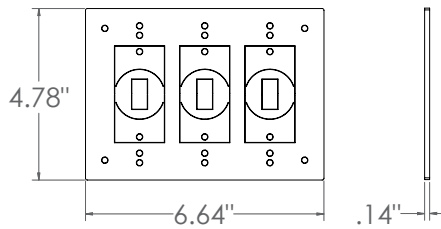
**GK240**



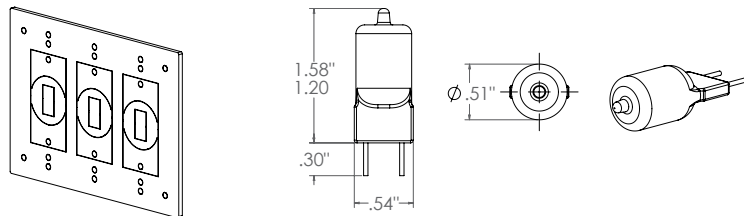
**GS100**



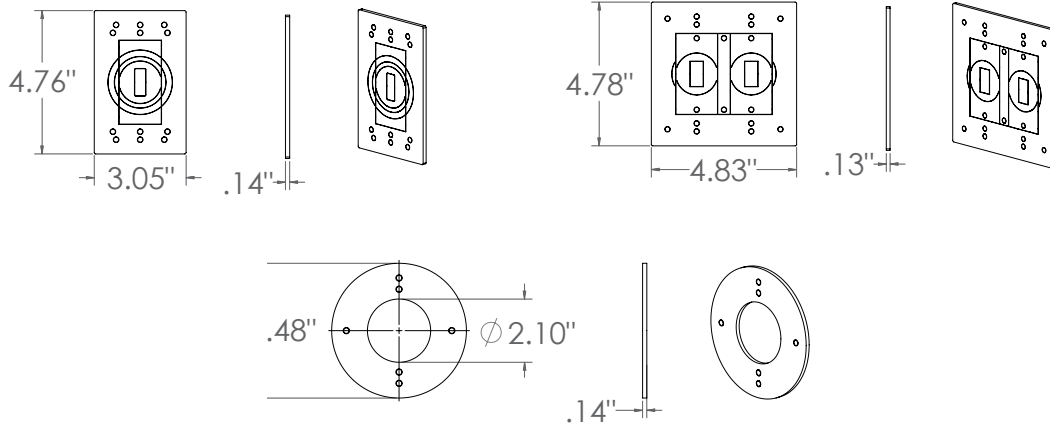
**GS400**



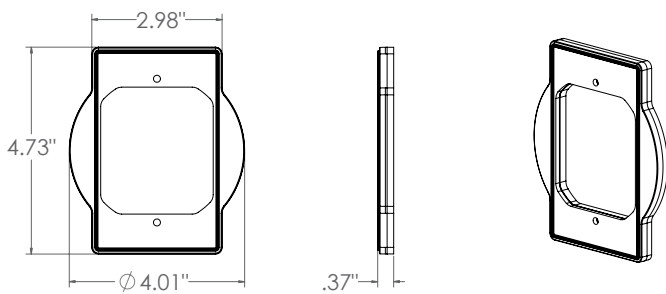
**HB75W**



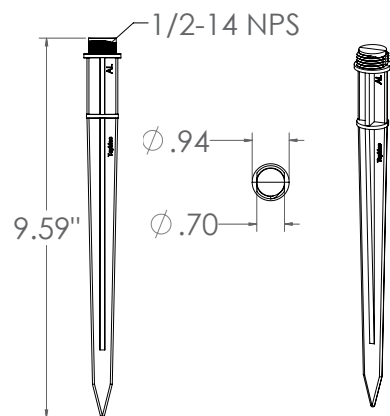
**GK300**



**PRBA400G**



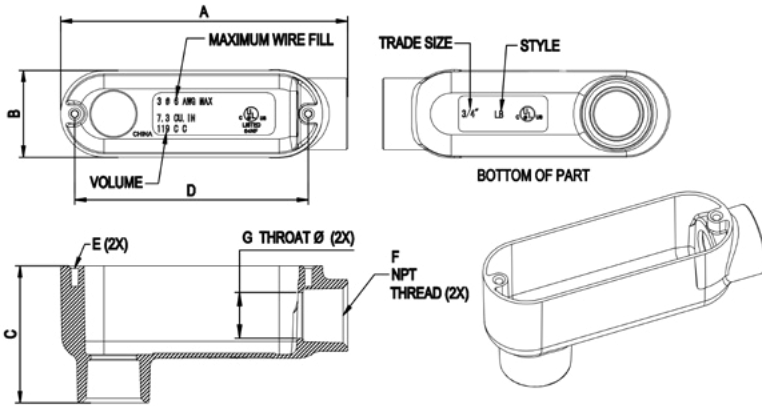
**SG100S**



CONDUIT BODIES

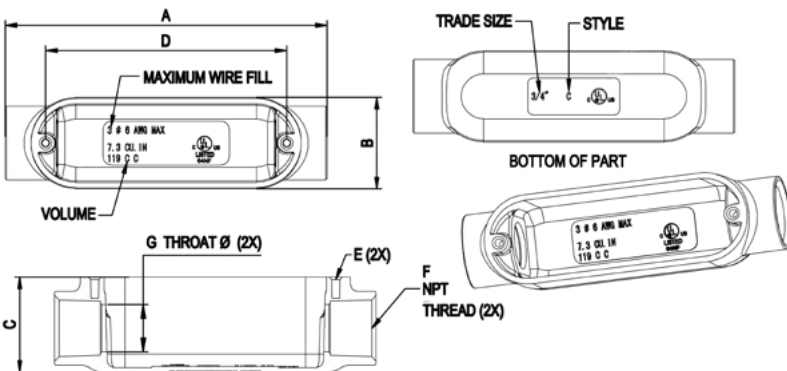
RLB/LB

TRADE SIZE	CATALOG NUMBER	A	B	C	D ±0.010 [25]	E TAPPED HOLES	F NPT THREAD	G THROAT DIA +0/-0.020[0.51]	VOLUME	MAXIMUM WIRE FILL
1/2"	RLB050	4.31	1.34	2.09	3.500	#8-32UNC-2B	1/2-14NPT	0.612	4.3 CU.IN	
		109.5	34.0	53.1	88.90			15.54	70 CC	
3/4"	RLB075	5.08	1.56	2.39	4.125	#8-32UNC-2B	3/4-14NPT	0.814	7.3 CU.IN	3 # 6 AWG MAX
		129.0	39.6	60.7	104.78			20.68	119 CC	
1"	RLB100	5.92	1.82	2.78	4.830	#8-32UNC-2B	1-11 1/2NPT	1.039	12.0 CU.IN	3 # 4 AWG MAX
		150.4	46.2	70.6	122.68			26.39	196 CC	
1-1/4"	RLB125	7.82	2.51	3.52	6.500	#12-24UNC-2B	1-1/4-11 1/2NPT	1.370	32.3 CU.IN	3 # 2 AWG MAX
		198.6	63.8	89.4	165.10			34.80	529 CC	
1-1/2"	RLB150	7.82	2.51	3.52	6.500	#12-24UNC-2B	1-1/2-11 1/2NPT	1.600	34.2 CU.IN	3 # 2 AWG MAX
		198.6	63.8	89.4	165.10			40.64	560 CC	
2"	RLB200	10.05	3.19	4.51	8.562	#12-24UNC-2B	2-11 1/2NPT	2.057	71.4 CU.IN	3 # 2/0 MAX
		255.3	81.0	114.6	217.47			52.25	1170 CC	
2-1/2"	RLB250	12.83	4.49	5.31	11.250	#5/16UNC-2B	2-1/2-8NPT	2.459	157.4 CU.IN	3 # 4/0 MAX
		325.9	114.0	134.9	285.75			62.46	2579 CC	
3"	RLB300	12.83	4.49	5.91	11.250	#5/16UNC-2B	3-8NPT	3.058	179.8 CU.IN	3 # 250 MAX
		325.9	114.0	150.1	285.75			77.67	2946 CC	
3-1/2"	RLB350	15.65	5.55	7.09	13.687	#5/16UNC-2B	3-1/2-8NPT	3.538	323.0 CU.IN	3 # 250 MAX
		397.5	141.0	180.1	347.65			89.87	5293 CC	
4"	RLB400	15.65	5.55	7.09	13.687	#5/16UNC-2B	4-8NPT	4.016	323.0 CU.IN	3 # 250 MAX
		397.5	141.0	180.1	347.65			102.01	5293 CC	



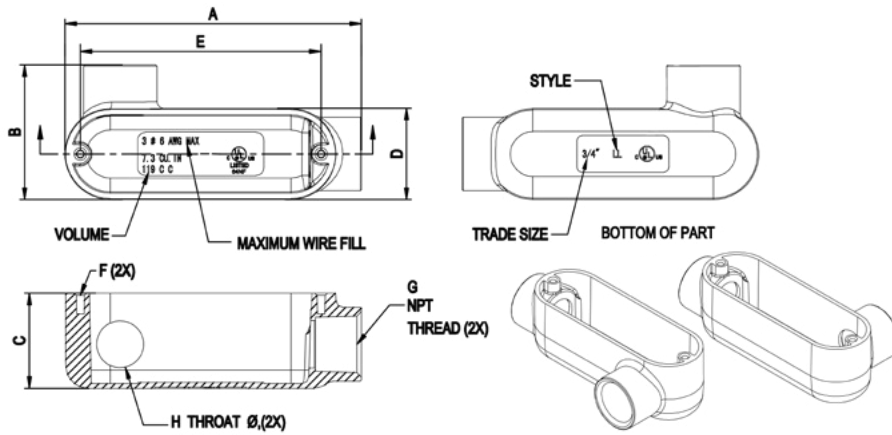
RLC/RC

TRADE SIZE	CATALOG NUMBER	A	B	C	D ±0.010 [25]	E TAPPED HOLES	F NPT THREAD	G THROAT DIA +0/-0.020[0.51]	VOLUME	MAXIMUM WIRE FILL
1/2"	RLC050	4.72	1.34	1.36	3.500	#8-32UNC-2B	1/2-14NPT	0.612	4.3 CU.IN	
		119.9	34.0	34.5	88.90			15.54	70 CC	
3/4"	RLC075	5.51	1.56	1.63	4.125	#8-32UNC-2B	3/4-14NPT	0.814	7.3 CU.IN	3 # 6 AWG MAX
		140.0	39.6	41.3	104.78			20.68	119 CC	
1"	RLC100	6.46	1.82	1.89	4.830	#8-32UNC-2B	1-11 1/2NPT	1.039	12.0 CU.IN	3 # 4 AWG MAX
		164.1	46.2	48.0	122.68			26.39	196 CC	
1-1/4"	RLC125	8.35	2.51	2.50	6.500	#12-24UNC-2B	1-1/4-11 1/2NPT	1.370	32.3 CU.IN	3 # 2 AWG MAX
		212.1	63.8	63.5	165.10			34.80	529 CC	
1-1/2"	RLC150	8.35	2.51	2.50	6.500	#12-24UNC-2B	1-1/2-11 1/2NPT	1.600	34.2 CU.IN	3 # 2 AWG MAX
		212.1	63.8	63.5	165.10			40.64	560 CC	
2"	RLC200	10.55	3.19	3.41	8.562	#12-24UNC-2B	2-11 1/2NPT	2.057	71.4 CU.IN	3 # 2/0 MAX
		268.0	81.0	86.6	217.47			52.25	1170 CC	
2-1/2"	RLC250	13.46	4.49	3.98	11.250	#5/16UNC-2B	2-1/2-8NPT	2.459	157.4 CU.IN	3 # 4/0 MAX
		341.9	114.0	101.1	285.75			62.46	2579 CC	
3"	RLC300	13.46	4.49	4.53	11.250	#5/16UNC-2B	3-8NPT	3.058	179.8 CU.IN	3 # 250 MAX
		341.9	114.0	115.1	285.75			77.67	2946 CC	
3-1/2"	RLC350	16.30	5.55	5.59	13.687	#5/16UNC-2B	3-1/2-8NPT	3.538	323.0 CU.IN	3 # 250 MAX
		414.0	141.0	142.0	347.65			89.87	5293 CC	
4"	RLC400	16.30	5.55	5.59	13.687	#5/16UNC-2B	4-8NPT	4.016	323.0 CU.IN	3 # 250 MAX
		414.0	141.0	142.0	347.65			102.01	5293 CC	



RLL/LL

TRADE SIZE	CATALOG NUMBER	A	B	C	D	E ±0.010 [25]	F TAPPED HOLES	G NPT THREAD	H THROAT DIA +0/-0.020[0.51]	VOLUME	MAXIMUM WIRE FILL
1/2"	RLL050	4.31	2.03	1.36	1.34	3.500	#8-32UNC-2B	1/2-14NPT	0.612	4.3 CU.IN	
		109.5	51.6	34.5	34.0	88.90			15.54	70 CC	
3/4"	RLL075	5.08	2.30	1.63	1.56	4.125	#8-32UNC-2B	3/4-14NPT	0.814	7.3 CU.IN	3 # 6 AWG MAX
		129.0	58.4	41.3	39.6	104.78			20.68	119 CC	
1"	RLL100	5.92	2.68	1.89	1.82	4.830	#8-32UNC-2B	1-11 1/2NPT	1.039	12.0 CU.IN	3 # 4 AWG MAX
		150.4	68.1	48.0	46.2	122.68			26.39	196 CC	
1-1/4"	RLL125	7.82	3.52	2.50	2.51	6.500	#12-24UNC-2B	1-1/4-11 1/2NPT	1.370	32.3 CU.IN	3 # 2 AWG MAX
		198.6	89.4	63.5	63.8	165.10			34.80	529 CC	
1-1/2"	RLL150	7.82	3.52	2.50	2.51	6.500	#12-24UNC-2B	1-1/2-11 1/2NPT	1.600	34.2 CU.IN	3 # 2 AWG MAX
		198.6	89.4	63.5	63.8	165.10			40.64	560 CC	
2"	RLL200	10.05	4.27	3.41	3.19	8.562	#12-24UNC-2B	2-11 1/2NPT	2.057	71.4 CU.IN	3 # 2/0 MAX
		255.3	108.5	86.6	81.0	217.47			52.25	1170 CC	
2-1/2"	RLL250	12.83	5.89	3.98	4.49	11.250	#5/16UNC-2B	2-1/2-8NPT	2.459	157.4 CU.IN	3 # 4/0 MAX
		325.9	149.6	101.1	114.0	285.75			62.46	2579 CC	
3"	RLL300	12.83	5.89	4.53	4.49	11.250	#5/16UNC-2B	3-8NPT	3.058	179.8 CU.IN	3 # 250 MAX
		325.9	149.6	115.1	114.0	285.75			77.67	2946 CC	
3-1/2"	RLL350	15.65	7.66	5.59	5.55	13.687	#5/16UNC-2B	3-1/2-8NPT	3.538	323.0 CU.IN	3 # 250 MAX
		397.5	194.6	142.0	141.0	347.65			89.87	5293 CC	
4"	RLL400	15.65	7.66	5.59	5.55	13.687	#5/16UNC-2B	4-8NPT	4.016	323.0 CU.IN	3 # 250 MAX
		397.5	194.6	142.0	141.0	347.65			102.01	5293 CC	

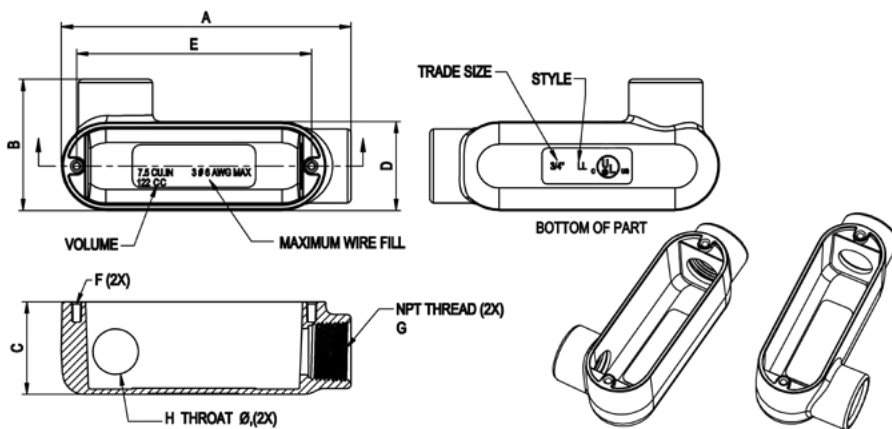


RLB/RLC/RLL/RLR/RLT (cover plate)

TRADE SIZE	A	B	C	D ± 0.02	E	F	G
1/2"	3.900	1.340	0.070	3.500	2.890	0.827	0.181
	99.1	34.0	1.8	88.9	73.4	21.0	4.6
3/4"	4.665	1.535	0.070	4.126	3.465	0.886	0.181
	118.5	39.0	1.8	104.8	88.0	22.5	4.6
1"	5.374	1.732	0.070	4.831	4.291	1.398	0.181
	136.5	44.0	1.8	122.7	109.0	35.5	4.6
1-1/4"	7.283	2.500	0.070	6.500	5.827	1.437	0.181
	185.0	63.5	1.8	165.1	148.0	36.5	4.6
1-1/2"	7.283	2.500	0.070	6.500	5.827	1.437	0.181
	185.0	63.5	1.8	165.1	148.0	36.5	4.6
2"	9.488	3.150	0.070	8.563	7.539	1.732	0.181
	241.0	80.0	1.8	217.5	191.5	44.0	4.6
2-1/2"	12.205	4.528	0.098	11.25	10.236	2.362	0.197
	310.0	115.0	2.5	285.8	260.0	60.0	5.0
3"	12.205	4.528	0.098	11.25	10.236	2.362	0.197
	310.0	115.0	2.5	285.8	260.0	60.0	5.0
3-1/2"	14.961	5.512	0.098	13.69	12.598	2.992	0.197
	380.0	140.0	2.5	347.6	320.0	76.0	5.0
4"	14.961	5.512	0.098	13.685	12.598	2.992	0.197
	380.0	140.0	2.5	347.6	320.0	76.0	5.0

RLR/LR

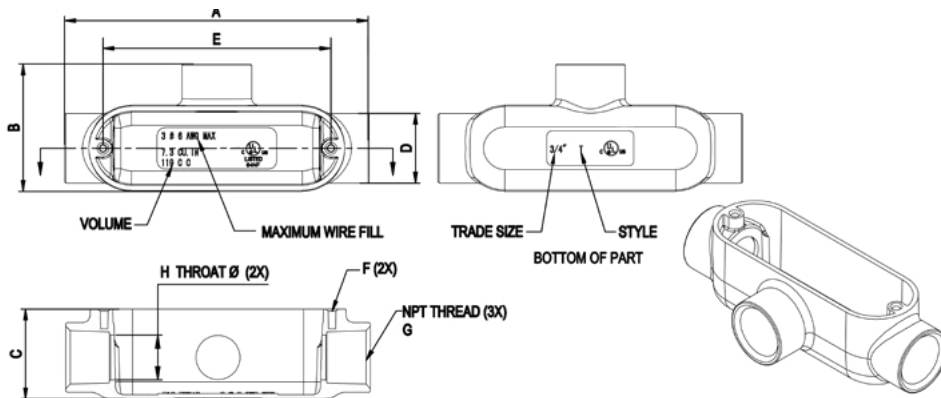
TRADE SIZE	CATALOG NUMBER	A	B	C	D	E ±0.010 [25]	F TAPPED HOLES	G NPT THREAD	H THROAT DIA +0/-0.020[0.51]	VOLUME	MAXIMUM WIRE FILL
1/2"	RLR050	4.31	2.03	1.36	1.34	3.500	#8-32UNC-2B	1/2-14NPT	0.612	4.3 CU.IN	
		109.5	51.6	34.5	34.0	88.90			15.54	70 CC	
3/4"	RLR075	5.08	2.30	1.63	1.56	4.125	#8-32UNC-2B	3/4-14NPT	0.814	7.3 CU.IN	3 # 6 AWG MAX
		129.0	58.4	41.3	39.6	104.78			20.68	119 CC	
1"	RLR100	5.92	2.68	1.89	1.82	4.830	#8-32UNC-2B	1-11 1/2NPT	1.039	12.0 CU.IN	3 # 4 AWG MAX
		150.4	68.1	48.0	46.2	122.68			26.39	196 CC	
1-1/4"	RLR125	7.82	3.52	2.50	2.51	6.500	#12-24UNC-2B	1-1/4-11 1/2NPT	1.370	32.3 CU.IN	3 # 2 AWG MAX
		198.6	89.4	63.5	63.8	165.10			34.80	529 CC	
1-1/2"	RLR150	7.82	3.52	2.50	2.51	6.500	#12-24UNC-2B	1-1/2-11 1/2NPT	1.600	34.2 CU.IN	3 # 2 AWG MAX
		198.6	89.4	63.5	63.8	165.10			40.64	560 CC	
2"	RLR200	10.05	4.27	3.41	3.19	8.562	#12-24UNC-2B	2-11 1/2NPT	2.057	71.4 CU.IN	3 # 2/0 MAX
		255.3	108.5	86.6	81.0	217.47			52.25	1170 CC	
2-1/2"	RLR250	12.83	5.89	3.98	4.49	11.250	#5/16UNC-2B	2-1/2-8NPT	2.459	157.4 CU.IN	3 # 4/0 MAX
		325.9	149.6	101.1	114.0	285.75			62.46	2579 CC	
3"	RLR300	12.83	5.89	4.53	4.49	11.250	#5/16UNC-2B	3-8NPT	3.058	179.8 CU.IN	3 # 250 MAX
		325.9	149.6	115.1	114.0	285.75			77.67	2946 CC	
3-1/2"	RLR350	15.65	7.66	5.59	5.55	13.687	#5/16UNC-2B	3-1/2-8NPT	3.538	323.0 CU.IN	3 # 250 MAX
		397.5	194.6	142.0	141.0	347.65			89.87	5293 CC	
4"	RLR400	15.65	7.66	5.59	5.55	13.687	#5/16UNC-2B	4-8NPT	4.016	323.0 CU.IN	3 # 250 MAX
		397.5	194.6	142.0	141.0	347.65			102.01	5293 CC	



## DETAILED DRAWINGS

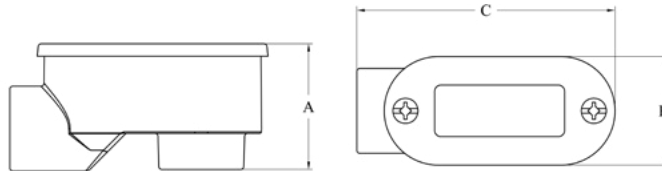
### RLT/T

TRADE SIZE	CATALOG NUMBER	A	B	C	D	E ±0.010 [±.25]	F TAPPED HOLES	G NPT THREAD	H THROAT DIA +0/-0.020[0.51]	VOLUME	MAXIMUM WIRE FILL
1/2"	RLT050	4.72	2.03	1.36	1.34	3.500	#8-32UNC-2B	1/2-14NPT	0.612	4.3 CU.IN	70 CC
		119.9	51.6	34.5	34.0	88.90			15.54	7.3 CU.IN	
3/4"	RLT075	5.51	2.30	1.63	1.56	4.125	#8-32UNC-2B	3/4-14NPT	0.814	7.3 CU.IN	119 CC
		140.0	58.4	41.3	39.6	104.78			20.68	12.0 CU.IN	
1"	RLT100	6.46	2.68	1.89	1.82	4.830	#8-32UNC-2B	1-11 1/2NPT	1.039	12.0 CU.IN	196 CC
		164.1	68.1	48.0	46.2	122.68			26.39	32.3 CU.IN	
1-1/4"	RLT125	8.35	3.52	2.50	2.51	6.500	#12-24UNC-2B	1-1/4-11 1/2NPT	1.370	32.3 CU.IN	529 CC
		212.1	89.4	63.5	63.8	165.10			34.80	34.2 CU.IN	
1-1/2"	RLT150	8.35	3.52	2.50	2.51	6.500	#12-24UNC-2B	1-1/2-11 1/2NPT	1.600	34.2 CU.IN	560 CC
		212.1	89.4	63.5	63.8	165.10			40.64	71.4 CU.IN	
2"	RLT200	10.55	4.27	3.41	3.19	8.562	#12-24UNC-2B	2-11 1/2NPT	2.057	71.4 CU.IN	1170 CC
		268.0	108.5	86.6	81.0	217.47			52.25	157.4 CU.IN	
2-1/2"	RLT250	13.46	5.89	3.98	4.49	11.250	#5/16UNC-2B	2-1/2-8NPT	2.459	157.4 CU.IN	2579 CC
		341.9	149.6	101.1	114.0	285.75			62.46	179.8 CU.IN	
3"	RLT300	13.46	5.89	4.53	4.49	11.250	#5/16UNC-2B	3-8NPT	3.058	179.8 CU.IN	2946 CC
		341.9	149.6	115.1	114.0	285.75			77.67	323.0 CU.IN	
3-1/2"	RLT350	16.30	7.66	5.59	5.55	13.687	#5/16UNC-2B	3-1/2-8NPT	3.538	323.0 CU.IN	5293 CC
		414.0	194.6	142.0	141.0	347.65			89.87	323.0 CU.IN	
4"	RLT400	16.30	7.66	5.59	5.55	13.687	#5/16UNC-2B	4-8NPT	4.016	323.0 CU.IN	5293 CC
		414.0	194.6	142.0	141.0	347.65			102.01		



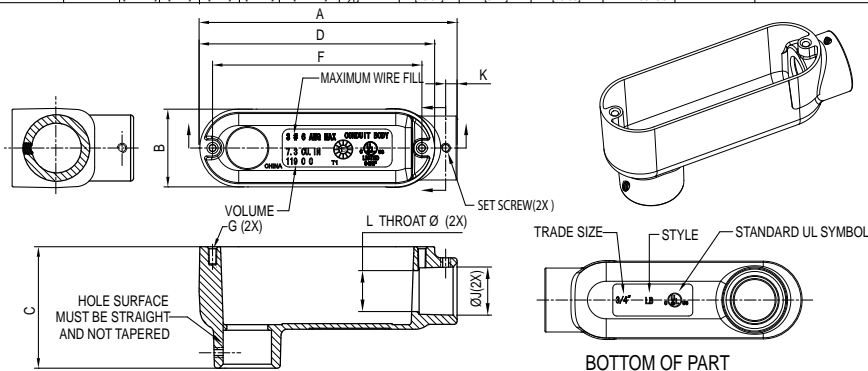
### RSLB

CATALOG NUMBER	CONDUIT SIZE	A	B	C
RSLB050	1/2"	1.587	1.366	3.26
RSLB075	3/4"	1.878	1.693	3.663
RSLB100	1"	2.087	1.917	4.272
RSLB125	1-1/4"	2.579	2.39	5.506
RSLB150	1-1/2"	2.697	2.654	6.217
RSLB200	2"	3.075	3.122	6.715



### EALB/ELB

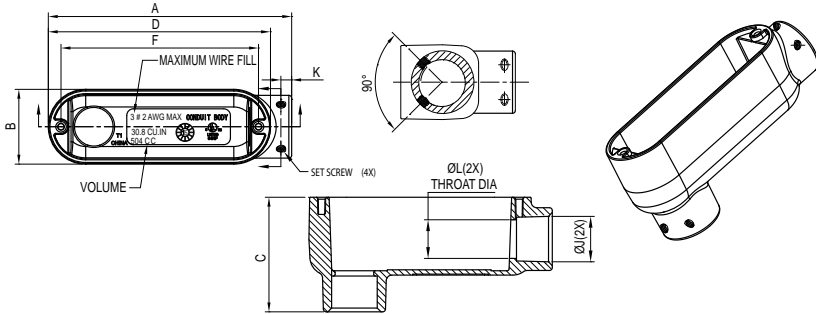
TRADE SIZE	CATALOG NUMBER	A	B	C	D	F ±0.010[±.25]	G TAPPED HOLES	ØJ	K	ØL	VOLUME	MAXIMUM WIRE FILL	SET SCREW (2X)
1/2"	ELB050	4.31	1.34	2.09	3.90	3.500	#8-32UNC-2B	0.721	0.225	0.612	4.3 CU.IN	70 CC	#12-24UNCX0.30[7.62] LONG
		109.5	34.0	53.0	99.0	88.90		18.32	5.72	15.54			
3/4"	ELB075	5.08	1.56	2.39	4.63	4.125	#8-32UNC-2B	0.955	0.225	0.814	7.3 CU.IN	119 CC	#12-24UNCX0.30[7.62] LONG
		128.1	39.7	60.9	117.5	104.77		24.26	5.72	20.68			
1"	ELB100	5.92	1.82	2.78	5.35	4.830	#8-32UNC-2B	1.178	0.225	1.039	12.0 CU.IN	196 CC	#12-24UNCX0.30[7.62] LONG
		150.35	46.2	70.5	135.8	122.88		29.92	5.72	26.39			





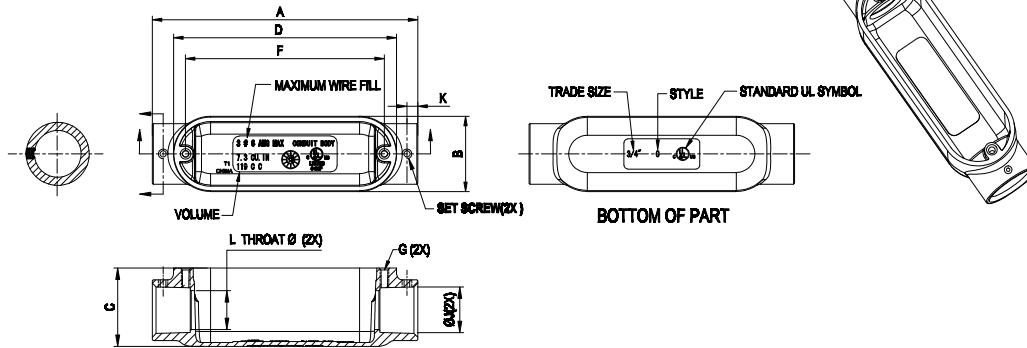
**EALB/ELB (cont.)**

TRADE SIZE	CATALOG NUMBER	A	B	C	D	F ±0.01(0,25)	G TAPPED HOLES	ØJ	K	ØL	VOLUME	MAXIMUM WIRE FILL	SET SCREW (4X)
1-1/4"	ELB125	7.82 (198.9)	2.51 (63.7)	3.52 (89.5)	7.24 (184.0)	6.500 (165.1)	#12-24UNC 2B	1.525 (38.74)	0.260 (6.60)	1.370 (34.90)	30.8 CU.IN 504 CC	3 # 2 AWG MAX	#12-24UNCX0.30(7.62) LONG
1-1/2"	ELB150	7.82 (198.9)	2.51 (63.7)	3.52 (89.5)	7.24 (184.0)	6.500 (165.1)	#12-24UNC 2B	1.795 (44.58)	0.338 (8.58)	1.800 (40.64)	30.8 CU.IN 504 CC	3 # 2 AWG MAX	#12-24UNCX0.30(7.62) LONG
2"	ELB200	10.05 (255.9)	3.19 (81.0)	4.51 (114.5)	9.49 (241.0)	8.962 (227.49)	#12-24UNC 2B	2.212 (56.19)	0.350 (8.89)	2.025 (51.44)	67.0 CU.IN 1089 CC	3 # 2/0 MAX	#5/16-24UNFX05(14.0) LONG
2-1/2"	ELB250	12.83 (326)	4.49 (114.0)	5.31 (135.0)	12.20 (310.0)	11.250 (285.75)	#5/16UNC- 2B	2.895 (73.53)	0.375 (9.53)	2.660 (67.56)	157.3 CU.IN 2578 CC	3 # 250 MAX	#5/16-24UNFX05(14.0) LONG
3"	ELB300	13.46 (342)	4.49 (114.0)	5.31 (135.0)	12.20 (310.0)	11.250 (285.75)	#5/16UNC- 2B	3.520 (89.41)	0.375 (9.53)	3.272 (83.11)	179.8 CU.IN 2946 CC	3 # 250 MAX	#5/16-24UNFX05(14.0) LONG
3-1/2"	ELB350	15.65 (397.5)	5.55 (141.0)	7.09 (180.0)	15.0 (381.0)	13.887 (347.65)	#5/16UNC- 2B	4.035 (102.50)	0.500 (12.7)	3.755 (95.38)	323.0 CU.IN 5293 CC	3 # 250 MAX	#5/16-24UNFX05(14.0) LONG
4"	ELB400	15.65 (397.5)	5.55 (141.0)	7.09 (180.0)	15.0 (381.0)	13.887 (347.65)	#5/16UNC- 2B	4.525 (114.94)	0.500 (12.7)	4.225 (107.32)	323.0 CU.IN 5293 CC	3 # 250 MAX	#5/16-24UNFX05(14.0) LONG

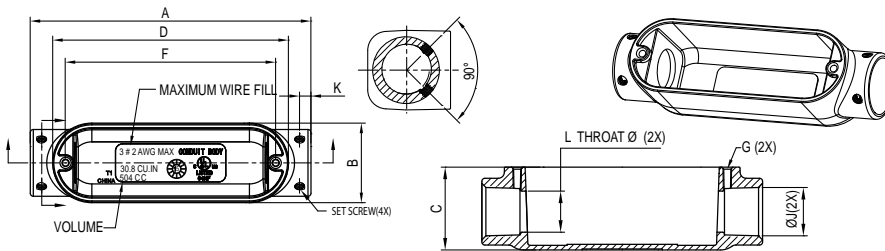


**EAC/EC**

TRADE SIZE	CATALOG NUMBER	A	B	C	D	F ±0.01(0,25)	G TAPPED HOLES	ØJ	K	ØL	VOLUME	MAXIMUM WIRE FILL	SET SCREW(S)
1/2"	EC200	4.75 (120)	1.51 (38.1)	1.30 (33.0)	3.00 (76.2)	2.500 (63.5)	#8-32UNC- 2B	0.711 (18.0)	0.226 (5.74)	0.815 (20.7)	4.3 CU.IN 70 CC	3 # 2 AWG MAX	#12-24UNCX0.30(7.62) LONG
3/8"	EC275	5.81 (148)	1.76 (44.8)	1.80 (45.7)	4.00 (101.6)	3.125 (79.27)	#8-32UNC- 2B	0.930 (23.6)	0.328 (8.33)	0.914 (23.2)	7.8 CU.IN 128 CC	3 # 8 AWG MAX	#12-24UNCX0.30(7.62) LONG
1"	EC-100	6.48 (165)	2.54 (64.5)	2.60 (66.0)	5.00 (127.0)	3.625 (92.18)	#8-32UNC- 2B	1.110 (28.1)	0.375 (9.53)	1.010 (25.6)	12.0 CU.IN 198 CC	3 # 4 AWG MAX	#12-24UNCX0.30(7.62) LONG



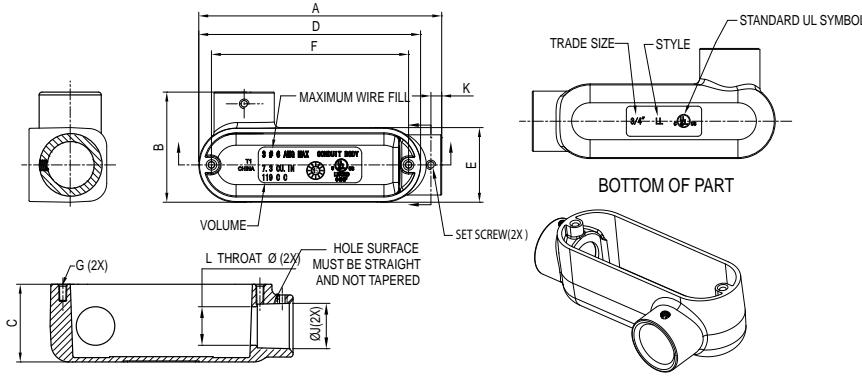
TRADE SIZE	CATALOG NUMBER	A	B	C	D	F ±0.01(0,25)	G TAPPED HOLES	ØJ	K	ØL	VOLUME	MAXIMUM WIRE FILL	SET SCREW (4X)
1-1/4"	EC125	8.35 (212)	2.51 (63.7)	2.50 (63.5)	7.24 (184.0)	6.500 (165.1)	#12-24UNC 2B	1.525 (38.74)	0.260 (6.60)	1.370 (34.90)	30.8 CU.IN 504 CC	3 # 2 AWG MAX	#12-24UNCX0.30(7.62) LONG
1-1/2"	EC150	8.35 (212)	2.51 (63.7)	2.50 (63.5)	7.24 (184.0)	6.500 (165.1)	#12-24UNC 2B	1.795 (44.58)	0.338 (8.58)	1.800 (40.64)	30.8 CU.IN 504 CC	3 # 2 AWG MAX	#12-24UNCX0.30(7.62) LONG
2"	EC200	10.55 (268)	3.19 (81.0)	3.41 (86.5)	9.49 (241.0)	8.962 (227.49)	#12-24UNC 2B	2.212 (56.19)	0.350 (8.89)	2.025 (51.44)	67.0 CU.IN 1089 CC	3 # 2/0 MAX	#5/16-24UNFX05(14.0) LONG
2-1/2"	EC250	13.46 (342)	4.49 (114.0)	3.98 (101.0)	12.20 (310.0)	11.250 (285.75)	#5/16UNC- 2B	2.895 (73.53)	0.375 (9.53)	2.660 (67.56)	157.3 CU.IN 2578 CC	3 # 250 MAX	#5/16-24UNFX05(14.0) LONG
3"	EC300	13.46 (342)	4.49 (114.0)	4.53 (115.0)	12.20 (310.0)	11.250 (285.75)	#5/16UNC- 2B	3.520 (89.41)	0.375 (9.53)	3.272 (83.11)	179.8 CU.IN 2946 CC	3 # 250 MAX	#5/16-24UNFX05(14.0) LONG
3-1/2"	EC350	16.30 (414)	5.55 (141.0)	5.59 (142.0)	15.0 (381.0)	13.887 (347.65)	#5/16UNC- 2B	4.035 (102.50)	0.500 (12.7)	3.755 (95.38)	318.3 CU.IN 5215 CC	3 # 250 MAX	#5/16-24UNFX05(14.0) LONG
4"	EC400	16.30 (414)	5.55 (141.0)	5.59 (142.0)	15.0 (381.0)	13.887 (347.65)	#5/16UNC- 2B	4.525 (114.94)	0.500 (12.7)	4.225 (107.32)	323.0 CU.IN 5293 CC	3 # 250 MAX	#5/16-24UNFX05(14.0) LONG



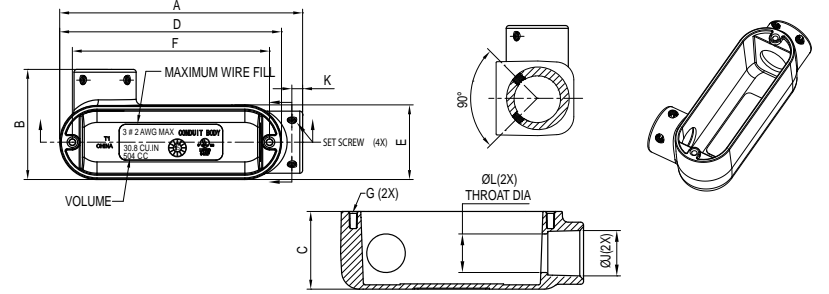
# DETAILED DRAWINGS

## EALL/EL

TRADE SIZE	CATALOG NUMBER	A	B	C	D	E	F ±0.010(±.25)	G TAPPED HOLES	ØJ	K	ØL	VOLUME	MAXIMUM WIRE FILL	SET SCREW (2X)
1/2"	ELL050	4.31 (109.5)	2.03 (51.5)	1.36 (34.5)	3.90 (99.0)	1.34 (34.0)	3.50 (88.9)	#8-32UNC-2B	0.721 (18.32)	0.225 (5.72)	0.612 (15.54)	4.3 CU IN 70 CC		#12-24UNCX0.30(7.62) LONG
3/4"	ELL075	5.08 (128.1)	2.30 (58.5)	1.626 (41.3)	4.63 (117.5)	1.56 (39.7)	4.125 (104.77)	#8-32UNC-2B	0.955 (24.26)	0.225 (5.72)	0.814 (20.88)	7.3 CU IN 119 CC	3 # 6 AWG MAX	#12-24UNCX0.30(7.62) LONG
1"	ELL100	5.92 (150.3)	2.68 (68.1)	1.89 (48.0)	5.35 (135.8)	1.82 (46.2)	4.830 (122.88)	#8-32UNC-2B	1.176 (29.92)	0.225 (5.72)	1.039 (26.39)	12.0 CU IN 196 CC	3 # 4 AWG MAX	#12-24UNCX0.30(7.62) LONG

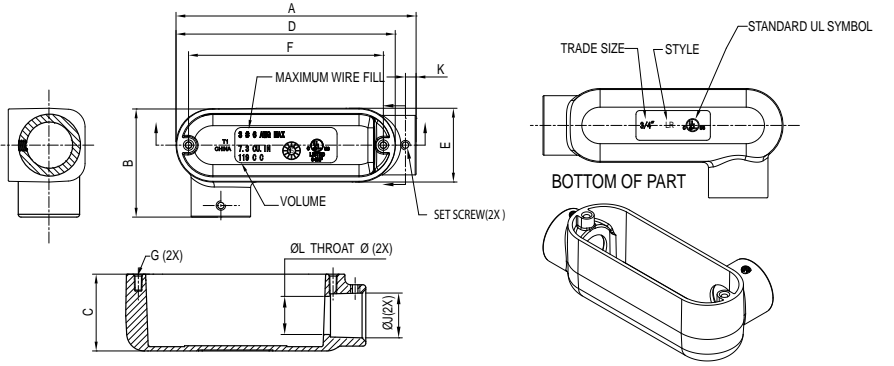


TRADE SIZE	CATALOG NUMBER	A	B	C	D	E	F ±0.010(±.25)	G TAPPED HOLES	ØJ	K	ØL	VOLUME	MAXIMUM WIRE FILL	SET SCREW (4X)
1-1/4"	ELL125	7.82 (198.5)	3.52 (89.4)	2.50 (63.5)	7.24 (184.0)	2.51 (63.7)	6.500 (165.1)	#12-24UNC-2B	1.525 (38.74)	0.260 (6.60)	1.370 (34.80)	30.8 CU IN 504 CC	3 # 2 AWG MAX	#12-24UNCX0.30(7.62) LONG
1-1/2"	ELL150	7.82 (198.5)	3.52 (89.4)	2.50 (63.5)	7.24 (184.0)	2.51 (63.7)	6.500 (165.1)	#12-24UNC-2B	1.755 (44.58)	0.338 (8.58)	1.600 (40.64)	30.8 CU IN 504 CC	3 # 2 AWG MAX	#12-24UNCX0.30(7.62) LONG
2"	ELL200	10.05 (255.9)	4.27 (108.5)	3.41 (86.5)	9.49 (241.0)	3.19 (81.0)	8.562 (217.48)	#12-24UNC-2B	2.272 (57.68)	0.350 (8.89)	2.025 (51.44)	67.0 CU IN 1098 CC	3 # 2/0 MAX	#5/16-24UNFX055(14.0) LONG
2-1/2"	ELL250	12.83 (326)	5.89 (148.5)	3.98 (101.0)	12.20 (310.0)	4.49 (114.0)	11.250 (285.75)	#5/16UNC-2B	2.895 (73.53)	0.375 (9.53)	2.660 (67.56)	157.3 CU IN 2576 CC	3 # 250 MAX	#5/16-24UNFX055(14.0) LONG
3"	ELL300	12.83 (326)	5.89 (148.5)	4.33 (110.0)	12.20 (310.0)	4.49 (114.0)	11.250 (285.75)	#5/16UNC-2B	3.320 (84.41)	0.375 (9.53)	3.272 (83.11)	179.8 CU IN 2946 CC	3 # 250 MAX	#5/16-24UNFX055(14.0) LONG
3-1/2"	ELL350	15.65 (397.5)	7.66 (194.5)	5.59 (142.0)	15.0 (381.0)	5.55 (141.0)	13.687 (347.85)	#5/16UNC-2B	4.035 (102.50)	0.500 (12.7)	3.785 (95.38)	323.0 CU IN 5293 CC	3 # 250 MAX	#5/16-24UNFX055(14.0) LONG
4"	ELL400	15.65 (397.5)	7.66 (194.5)	5.59 (142.0)	15.0 (381.0)	5.55 (141.0)	13.687 (347.85)	#5/16UNC-2B	4.225 (107.32)	0.500 (12.7)	4.225 (107.32)	323.0 CU IN 5293 CC	3 # 250 MAX	#5/16-24UNFX055(14.0) LONG



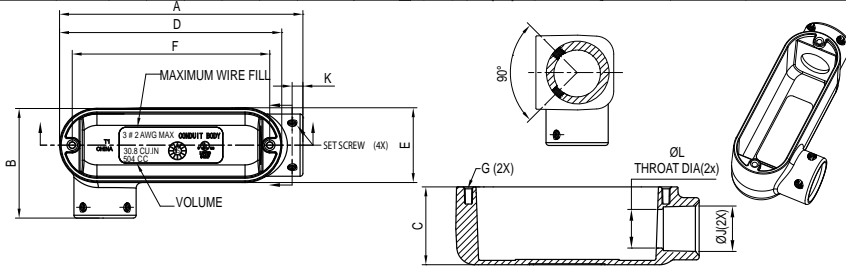
## EALR/ELR

TRADE SIZE	CATALOG NUMBER	A	B	C	D	E	F ±0.010(±.25)	G TAPPED HOLES	ØJ	K	ØL	VOLUME	MAXIMUM WIRE FILL	SET SCREW (2X)
1/2"	ELR050	4.31 (109.5)	2.03 (51.5)	1.36 (34.5)	3.90 (99.0)	1.34 (34.0)	3.500 (88.9)	#8-32UNC-2B	0.721 (18.32)	0.225 (5.72)	0.612 (15.54)	4.3 CU IN 70 CC		#12-24UNCX0.30(7.62) LONG
3/4"	ELR075	5.08 (128.1)	2.30 (58.5)	1.626 (41.3)	4.63 (117.5)	1.56 (39.7)	4.125 (104.77)	#8-32UNC-2B	0.955 (24.26)	0.225 (5.72)	0.814 (20.88)	7.3 CU IN 119 CC	3 # 6 AWG MAX	#12-24UNCX0.30(7.62) LONG
1"	ELR100	5.92 (150.3)	2.68 (68.1)	1.89 (48.0)	5.35 (135.8)	1.82 (46.2)	4.830 (122.88)	#8-32UNC-2B	1.176 (29.92)	0.225 (5.72)	1.039 (26.39)	12.0 CU IN 196 CC	3 # 4 AWG MAX	#12-24UNCX0.30(7.62) LONG



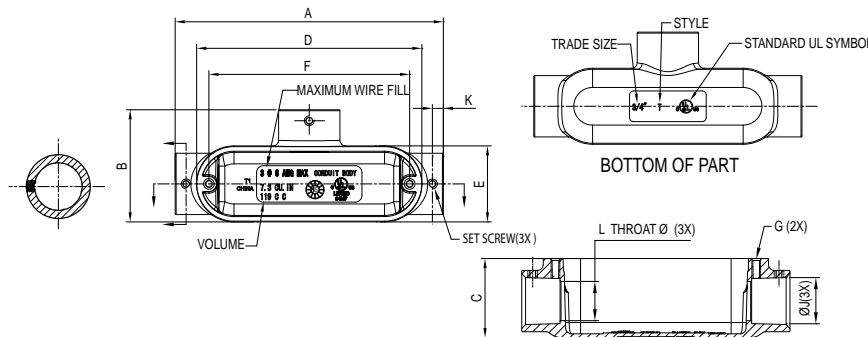
**EALR/ELR (cont.)**

TRADE SIZE	CATALOG NUMBER	A	B	C	D	E	F ±0.01(0.25)	G TAPPED HOLES	ØJ	K	ØL	VOLUME	MAXIMUM WIRE FILL	SET SCREW (4X)
1-1/4"	ELR125	7.82 (198.6)	3.52 (89.4)	2.50 (63.5)	7.24 (184.0)	2.51 (63.7)	6.500 (165.1)	#12-24UNC-2B	1.525 (38.74)	0.260 (6.60)	1.370 (34.80)	30.8 CU.IN 504 CC	3 # 2 AWG MAX	#12-24UNCX0.30(7.62) LONG
1-1/2"	ELR150	7.82 (198.6)	3.52 (89.4)	2.50 (63.5)	7.24 (184.0)	2.51 (63.7)	6.500 (165.1)	#12-24UNC-2B	1.755 (44.58)	0.338 (8.58)	1.600 (40.54)	30.8 CU.IN 504 CC	3 # 2 AWG MAX	#12-24UNCX0.30(7.62) LONG
2"	ELR200	10.05 (255.3)	4.27 (108.5)	3.41 (86.5)	9.49 (241.0)	3.19 (81.0)	8.562 (217.48)	#12-24UNC-2B	2.212 (56.18)	0.350 (8.89)	2.025 (51.44)	67.0 CU.IN 1098 CC	3 # 2/0 MAX	#5/16-24UNFX055(14.0) LONG
2-1/2"	ELR250	12.83 (326)	5.89 (148.5)	3.98 (101.0)	12.20 (310.0)	4.49 (114.0)	11.250 (285.75)	#5/16UNC-2B	2.895 (73.53)	0.375 (9.53)	2.660 (67.58)	157.3 CU.IN 2578 CC	3 # 250 MAX	#5/16-24UNFX055(14.0) LONG
3"	ELR300	13.46 (342)	5.89 (148.5)	4.53 (115.0)	12.20 (310.0)	4.49 (114.0)	11.250 (285.75)	#5/16UNC-2B	3.520 (89.41)	0.375 (9.53)	3.272 (83.11)	179.8 CU.IN 2946 CC	3 # 250 MAX	#5/16-24UNFX055(14.0) LONG
3-1/2"	ELR350	15.65 (397.5)	7.66 (194.5)	5.59 (142.0)	15.0 (381.0)	5.55 (141.0)	13.687 (347.65)	#5/16UNC-2B	4.035 (102.50)	0.500 (12.7)	3.755 (95.38)	318.3 CU.IN 5215 CC	3 # 250 MAX	#5/16-24UNFX055(14.0) LONG
4"	ELR400	16.65 (423.5)	7.66 (194.5)	5.59 (142.0)	15.0 (381.0)	5.55 (141.0)	13.687 (347.65)	#5/16UNC-2B	4.525 (114.94)	0.500 (12.7)	4.225 (107.32)	323.0 CU.IN 5293 CC	3 # 250 MAX	#5/16-24UNFX055(14.0) LONG

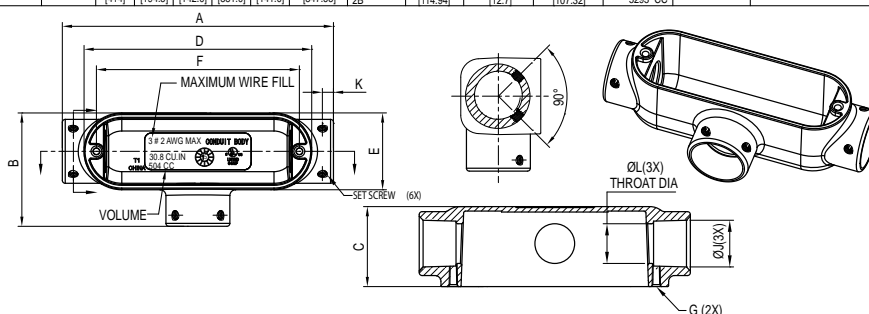


**EAT/ET**

TRADE SIZE	CATALOG NUMBER	A	B	C	D	E	F ±0.01(0.25)	G TAPPED HOLES	ØJ	K	ØL	VOLUME	MAXIMUM WIRE FILL	SET SCREW(3X)
1/2"	ET050	4.72 (120)	2.03 (51.5)	1.36 (34.5)	3.90 (99.0)	1.34 (34.0)	3.500 (88.90)	#8-32UNC-2B	0.721 (18.32)	0.225 (5.72)	0.612 (15.54)	4.3 CU.IN 70 CC		#12-24UNCX0.30(7.62) LONG
3/4"	ET075	5.51 (140)	2.60 (65.5)	1.62 (41.3)	4.63 (117.5)	1.36 (34.7)	4.125 (104.77)	#8-32UNC-2B	0.855 (21.72)	0.225 (5.72)	0.814 (20.68)	7.3 CU.IN 119 CC	3 # 6 AWG MAX	#12-24UNCX0.30(7.62) LONG
1"	ET100	6.46 (164)	2.88 (73.1)	1.89 (48.0)	5.35 (136.4)	1.82 (46.2)	4.830 (122.68)	#8-32UNC-2B	1.178 (29.92)	0.225 (5.72)	1.039 (26.39)	12.0 CU.IN 196 CC	3 # 4 AWG MAX	#12-24UNCX0.30(7.62) LONG



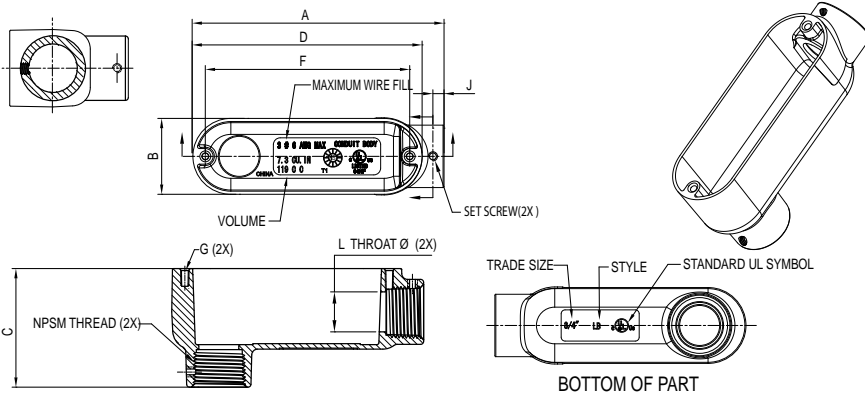
TRADE SIZE	CATALOG NUMBER	A	B	C	D	E	F ±0.01(0.25)	G TAPPED HOLES	ØJ	K	ØL	VOLUME	MAXIMUM WIRE FILL	SET SCREW(6X)
1-1/4"	ET125	8.35 (212)	3.52 (89.4)	2.50 (63.5)	7.24 (184.0)	2.51 (63.7)	6.500 (165.1)	#12-24UNC-2B	1.525 (38.74)	0.260 (6.60)	1.370 (34.80)	30.8 CU.IN 504 CC	3 # 2 AWG MAX	#12-24UNCX0.30(7.62) LONG
1-1/2"	ET150	8.35 (212)	3.52 (89.4)	2.50 (63.5)	7.24 (184.0)	2.51 (63.7)	6.500 (165.1)	#12-24UNC-2B	1.755 (44.58)	0.338 (8.58)	1.600 (40.54)	30.8 CU.IN 504 CC	3 # 2 AWG MAX	#12-24UNCX0.30(7.62) LONG
2"	ET200	10.55 (268)	4.27 (108.5)	3.41 (86.5)	9.49 (241.0)	3.19 (81.0)	8.562 (217.48)	#12-24UNC-2B	2.212 (56.18)	0.350 (8.89)	2.025 (51.44)	67.0 CU.IN 1098 CC	3 # 2/0 MAX	#5/16-24UNFX055(14.0) LONG
2-1/2"	ET250	13.46 (342)	5.89 (148.5)	3.98 (101.0)	12.20 (310.0)	4.49 (114.0)	11.250 (285.75)	#5/16UNC-2B	2.895 (73.53)	0.375 (9.53)	2.660 (67.58)	157.3 CU.IN 2578 CC	3 # 250 MAX	#5/16-24UNFX055(14.0) LONG
3"	ET300	13.46 (342)	5.89 (148.5)	4.53 (115.0)	12.20 (310.0)	4.49 (114.0)	11.250 (285.75)	#5/16UNC-2B	3.520 (89.41)	0.375 (9.53)	3.272 (83.11)	179.8 CU.IN 2946 CC	3 # 250 MAX	#5/16-24UNFX055(14.0) LONG
3-1/2"	ET350	16.30 (414)	7.66 (194.5)	5.59 (142.0)	15.0 (381.0)	5.55 (141.0)	13.687 (347.65)	#5/16UNC-2B	4.035 (102.50)	0.500 (12.7)	3.755 (95.38)	318.3 CU.IN 5215 CC	3 # 250 MAX	#5/16-24UNFX055(14.0) LONG
4"	ET400	16.30 (414)	7.66 (194.5)	5.59 (142.0)	15.0 (381.0)	5.55 (141.0)	13.687 (347.65)	#5/16UNC-2B	4.525 (114.94)	0.500 (12.7)	4.225 (107.32)	323.0 CU.IN 5293 CC	3 # 250 MAX	#5/16-24UNFX055(14.0) LONG



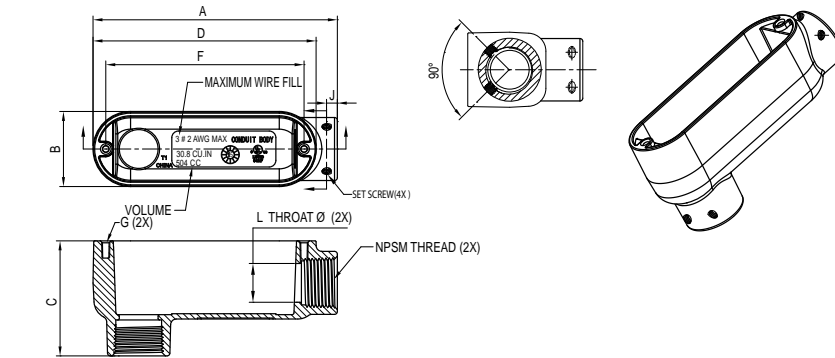
# DETAILED DRAWINGS

## COLB/CLB

TRADE SIZE	CATALOG NUMBER	A	B	C	D	F ±0.010(.25)	G TAPPED HOLES	NPSM THREAD	J	L ±0.0005(.5)	VOLUME	MAXIMUM WIRE FILL	SET SCREW (2X)
1/2"	CLB050	4.31 [109.5]	1.34 [34.0]	2.09 [53.0]	3.90 [99.0]	3.90 [99.0]	#8-32UNC-2B	1/2-14NPSM	0.225 [5.72]	0.612 [15.54]	4.3 CU.IN 70 CC		#12-24UNCX0.30(7.62) LONG
3/4"	CLB075	5.08 [129.1]	1.56 [39.7]	2.39 [60.2]	4.63 [117.5]	4.125 [104.7]	#8-32UNC-2B	3/4-14NPSM	0.225 [5.72]	0.814 [20.68]	7.3 CU.IN 119 CC	3 # 6 AWG MAX	#12-24UNCX0.30(7.62) LONG
1"	CLB100	5.92 [150.35]	1.82 [46.2]	2.78 [70.5]	5.35 [135.8]	4.830 [122.89]	#8-32UNC-2B	1-11 1/2NPSM	0.225 [5.72]	1.039 [26.39]	12.0 CU.IN 196 CC	3 # 4 AWG MAX	#12-24UNCX0.30(7.62) LONG

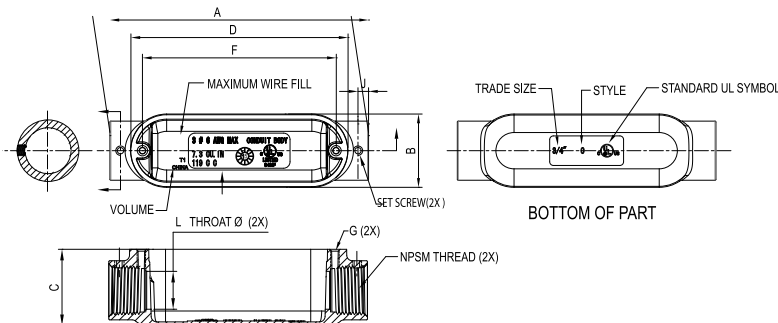


TRADE SIZE	CATALOG NUMBER	A	B	C	D	F ±0.010(.25)	G TAPPED HOLES	NPSM THREAD	J	L ±0.0005(.5)	VOLUME	MAXIMUM WIRE FILL	SET SCREW (4X)
1-1/4"	CLB125	7.82 [198.3]	2.51 [63.7]	3.52 [89.5]	7.24 [184.0]	6.500 [165.1]	#12-24UNC-2B	1-1/4-11NPSM	0.260 [6.60]	1.390 [34.90]	30.8 CU.IN 504 CC	3 # 2 AWG MAX	#12-24UNCX0.30(7.62) LONG
1-1/2"	CLB150	7.82 [198.3]	2.51 [63.7]	3.52 [89.5]	7.24 [184.0]	6.500 [165.1]	#12-24UNC-2B	1-1/2-11NPSM	0.338 [8.58]	1.600 [40.64]	30.8 CU.IN 504 CC	3 # 2 AWG MAX	#12-24UNCX0.30(7.62) LONG
2"	CLB200	10.08 [255.3]	3.18 [81.0]	4.51 [114.5]	9.49 [241.0]	8.502 [217.48]	#12-24UNC-2B	2-11/2NPSM	0.350 [8.89]	2.097 [52.25]	67.0 CU.IN 1098 CC	3 # 2/0 MAX	#5/16-24UNFX055(14.0) LONG



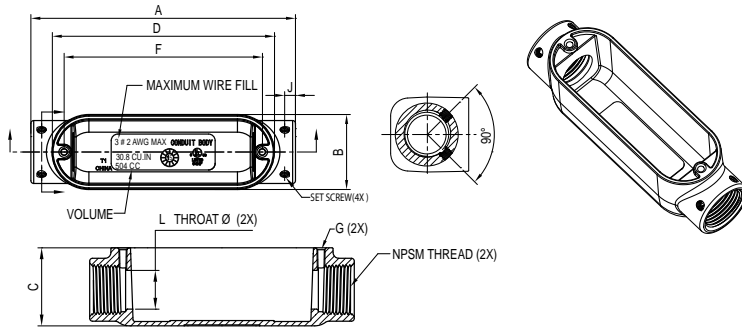
## COC/CC

TRADE SIZE	CATALOG NUMBER	A	B	C	D	F ±0.010(.25)	G TAPPED HOLES	NPSM THREAD	J	L ±0.0005(.5)	VOLUME	MAXIMUM WIRE FILL	SET SCREW (2X)
1/2"	CC050	4.72 [120.0]	1.34 [34.0]	1.36 [34.5]	3.90 [99.0]	3.90 [99.0]	#8-32UNC-2B	1/2-14NPSM	0.225 [5.72]	0.612 [15.54]	4.3 CU.IN 70 CC		#12-24UNCX0.30(7.62) LONG
3/4"	CC075	5.51 [140]	1.56 [39.7]	1.609 [41.3]	4.63 [117.5]	4.125 [104.7]	#8-32UNC-2B	3/4-14NPSM	0.225 [5.72]	0.814 [20.68]	7.3 CU.IN 119 CC	3 # 6 AWG MAX	#12-24UNCX0.30(7.62) LONG
1"	CC100	6.46 [164]	1.82 [46.2]	1.89 [48.0]	5.35 [135.8]	4.830 [122.89]	#8-32UNC-2B	1-11 1/2NPSM	0.225 [5.72]	1.039 [26.39]	12.0 CU.IN 196 CC	3 # 4 AWG MAX	#12-24UNCX0.30(7.62) LONG



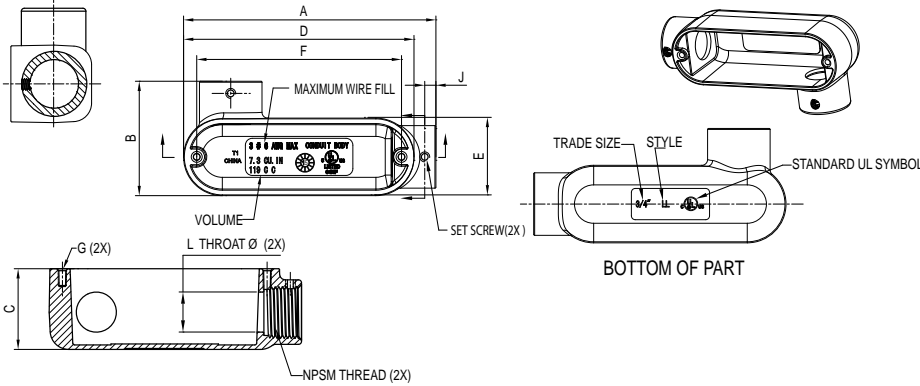
**COC/CC (cont.)**

TRADE SIZE	CATALOG NUMBER	A	B	C	D	F ±0.010(.25)	G TAPPED HOLES	NPSM THREAD	J	L ±0 -0.008(.51)	VOLUME	MAXIMUM WIRE FILL	SET SCREW (4X)
1-1/4"	CC125	8.35 [212]	2.51 [63.7]	2.50 [63.5]	7.24 [184.0]	6.500 [165.1]	#12-24UNC-2B	1-1/4-11 1/2NPSM	0.260 [6.60]	1.370 [34.80]	30.8 CU.IN 504 CC	3 # 2 AWG MAX	#12-24UNCX0.30[7.62] LONG
1-1/2"	CC150	8.35 [212]	2.51 [63.7]	2.50 [63.5]	7.24 [184.0]	6.500 [165.1]	#12-24UNC-2B	1-1/2-11 1/2NPSM	0.338 [8.58]	1.600 [40.64]	30.8 CU.IN 504 CC	3 # 2 AWG MAX	#12-24UNCX0.30[7.62] LONG
2"	CC200	10.55 [268]	3.19 [81.0]	3.41 [86.5]	9.49 [241.0]	8.562 [217.48]	#12-24UNC-2B	2-1/1 1/2NPSM	0.350 [8.89]	2.057 [52.25]	67.0 CU.IN 1098 CC	3 # 2/0 MAX	#5/16-24UNFX055[14.0] LONG

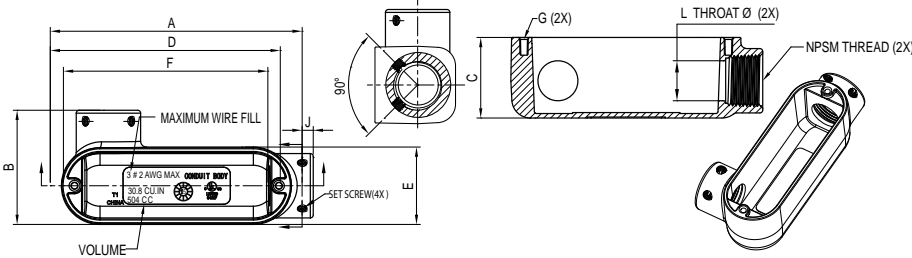


**COLL/CLL**

TRADE SIZE	CATALOG NUMBER	A	B	C	D	E	F ±0.010(.25)	G TAPPED HOLES	NPSM THREAD	J	L ±0 -0.008(.51)	VOLUME	MAXIMUM WIRE FILL	SET SCREW (2X)
1/2"	CLL050	4.31 [109.5]	2.03 [51.5]	1.96 [49.5]	3.90 [99.0]	1.34 [34.0]	3.900 [99.0]	#8-32UNC-2B	1/2-14NPSM	0.225 [5.72]	0.612 [15.54]	4.3 CU.IN 70 CC		#12-24UNCX0.30[7.62] LONG
3/4"	CLL075	5.08 [129.1]	2.30 [58.5]	1.626 [41.3]	4.63 [117.5]	1.56 [39.7]	4.125 [104.77]	#8-32UNC-2B	3/4-14NPSM	0.225 [5.72]	0.814 [20.68]	7.3 CU.IN 119 CC	3 # 6 AWG MAX	#12-24UNCX0.30[7.62] LONG
1"	CLL100	5.92 [150.55]	2.66 [66.1]	1.89 [48.0]	5.35 [135.6]	1.82 [46.2]	4.830 [122.88]	#8-32UNC-2B	1-1/11 1/2NPSM	0.225 [5.72]	1.039 [26.39]	12.0 CU.IN 196 CC	3 # 4 AWG MAX	#12-24UNCX0.30[7.62] LONG



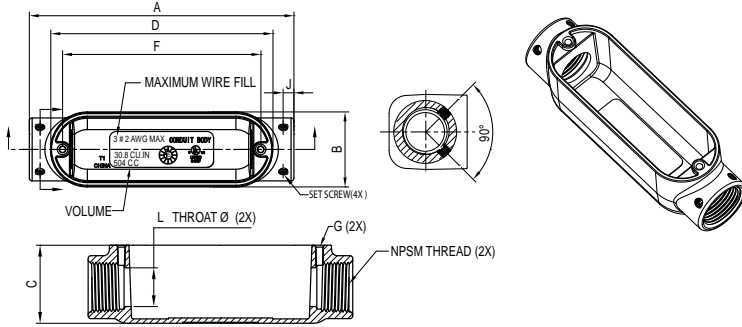
TRADE SIZE	CATALOG NUMBER	A	B	C	D	E	F ±0.010(.25)	G TAPPED HOLES	NPSM THREAD	J	L ±0 -0.008(.51)	VOLUME	MAXIMUM WIRE FILL	SET SCREW (4X)
1-1/4"	CLL125	7.82 [198.6]	3.52 [89.4]	2.50 [63.5]	7.24 [184.0]	2.51 [63.7]	6.500 [165.1]	#12-24UNC-2B	1-1/11 1/2NPSM	0.260 [6.60]	1.370 [34.80]	30.8 CU.IN 504 CC	3 # 2 AWG MAX	#12-24UNCX0.30[7.62] LONG
1-1/2"	CLL150	7.82 [198.6]	3.52 [89.4]	2.50 [63.5]	7.24 [184.0]	2.51 [63.7]	6.500 [165.1]	#12-24UNC-2B	1-1/11 1/2NPSM	0.338 [8.58]	1.600 [40.64]	30.8 CU.IN 504 CC	3 # 2 AWG MAX	#12-24UNCX0.30[7.62] LONG
2"	CLL200	10.55 [265.3]	4.27 [108.5]	3.41 [86.5]	9.49 [241.0]	3.19 [81.0]	8.562 [217.48]	#12-24UNC-2B	2-1/11 1/2NPSM	0.350 [8.89]	2.057 [52.25]	67.0 CU.IN 1098 CC	3 # 2/0 MAX	#5/16-24UNFX055[14.0] LONG



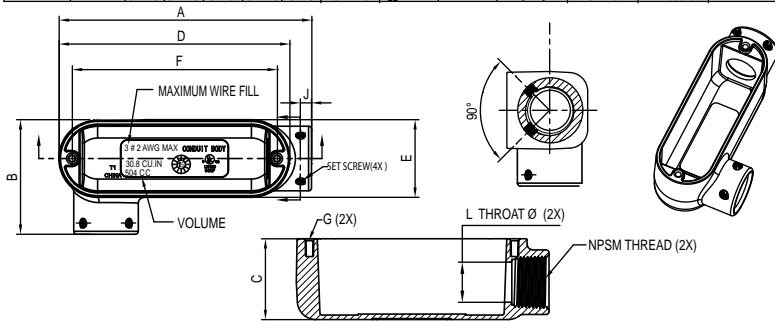
# DETAILED DRAWINGS

## COLR/CLR

TRADE SIZE	CATALOG NUMBER	A	B	C	D	F ±0.010(.25)	G TAPPED HOLES	NPSM THREAD	J	L +0 -0.008(.51)	VOLUME	MAXIMUM WIRE FILL	SET SCREW (4X)
1-1/4"	CC125	8.35 [212]	2.51 [63.7]	2.50 [63.5]	7.24 [184.0]	6.500 [165.1]	#12-24UNC-2B	1-1/4-11 1/2NPSM	0.260 [6.60]	1.370 [34.80]	30.8 CU IN 504 CC	3 # 2 AWG MAX	#12-24UNCX0.30[7.62] LONG
1-1/2"	CC150	8.35 [212]	2.51 [63.7]	2.50 [63.5]	7.24 [184.0]	6.500 [165.1]	#12-24UNC-2B	1-1/2-11 1/2NPSM	0.338 [8.58]	1.600 [40.64]	30.8 CU IN 504 CC	3 # 2 AWG MAX	#12-24UNCX0.30[7.62] LONG
2"	CC200	10.65 [269]	3.19 [81.0]	3.41 [86.5]	9.46 [241.0]	8.562 [217.48]	#12-24UNC-2B	2-11 1/2NPSM	0.350 [8.89]	2.057 [52.25]	67.0 CU IN 1088 CC	3 # 2/0 MAX	#5/16-24UNFX055[14.0] LONG

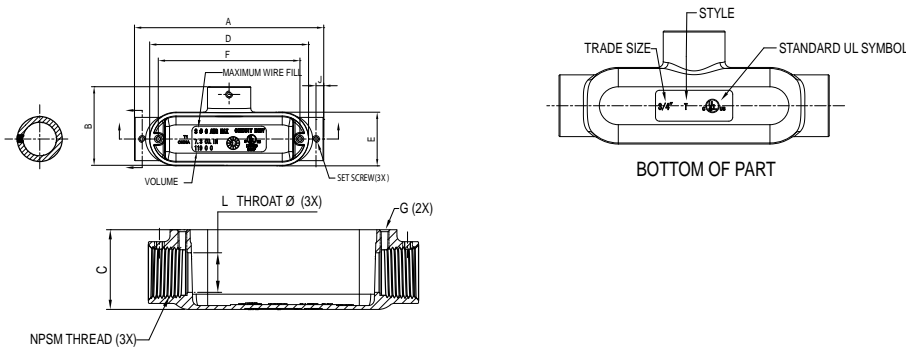


TRADE SIZE	CATALOG NUMBER	A	B	C	D	E	F ±0.010(.25)	G TAPPED HOLES	NPSM THREAD	J	L +0 -0.008(.51)	VOLUME	MAXIMUM WIRE FILL	SET SCREW (4X)
1-1/4"	CLR125	7.82 [198.6]	3.52 [89.4]	2.50 [63.5]	7.24 [184.0]	2.51 [63.7]	6.500 [165.1]	#12-24UNC-2B	1-1/4-11 1/2NPSM	0.260 [6.60]	1.370 [34.80]	30.8 CU IN 504 CC	3 # 2 AWG MAX	#12-24UNCX0.30[7.62] LONG
1-1/2"	CLR150	7.82 [198.6]	3.52 [89.4]	2.50 [63.5]	7.24 [184.0]	2.51 [63.7]	6.500 [165.1]	#12-24UNC-2B	1-1/2-11 1/2NPSM	0.338 [8.58]	1.600 [40.64]	30.8 CU IN 504 CC	3 # 2 AWG MAX	#12-24UNCX0.30[7.62] LONG
2"	CLR200	10.05 [255.3]	4.27 [108.5]	3.41 [86.5]	9.49 [241.0]	3.19 [81.0]	8.562 [217.48]	#12-24UNC-2B	2-11 1/2NPSM	0.350 [8.89]	2.057 [52.25]	67.0 CU IN 1088 CC	3 # 2/0 MAX	#5/16-24UNFX055[14.0] LONG



## COT/CT

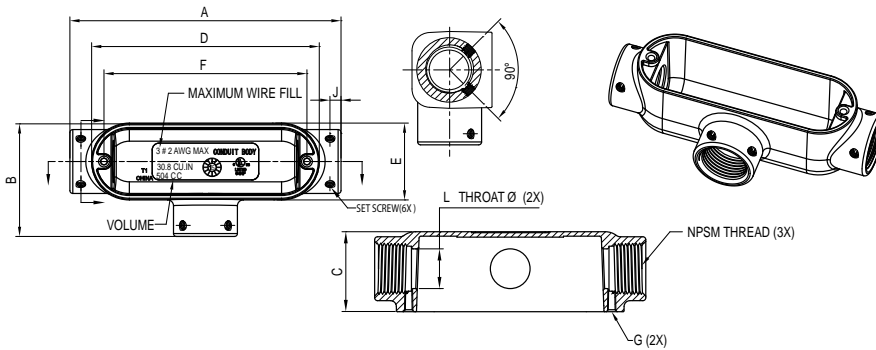
TRADE SIZE	CATALOG NUMBER	A	B	C	D	E	F ±0.010(.25)	G TAPPED HOLES	NPSM THREAD	J	L +0 -0.008(.51)	VOLUME	MAXIMUM WIRE FILL	SET SCREW (3X)
1/2"	CT050	4.72 [120]	2.03 [51.5]	1.38 [34.9]	3.90 [99.0]	1.34 [34.0]	3.500 [88.90]	#8-32UNC-2B	1/2-14NPSM	0.225 [5.72]	0.612 [15.54]	4.3 CU IN 70 CC		#12-24UNCX0.30[7.62] LONG
3/4"	CT075	5.51 [140]	2.30 [58.5]	1.626 [41.3]	4.63 [117.5]	1.56 [39.7]	4.125 [104.77]	#8-32UNC-2B	3/4-14NPSM	0.225 [5.72]	0.814 [20.68]	7.3 CU IN 119 CC	3 # 6 AWG MAX	#12-24UNCX0.30[7.62] LONG
1"	CT100	6.46 [164]	2.98 [75.1]	1.89 [48.0]	5.35 [135.8]	1.82 [46.2]	4.830 [122.58]	#8-32UNC-2B	1-11 1/2NPSM	0.225 [5.72]	1.039 [26.39]	12.0 CU IN 196 CC	3 # 4 AWG MAX	#12-24UNCX0.30[7.62] LONG





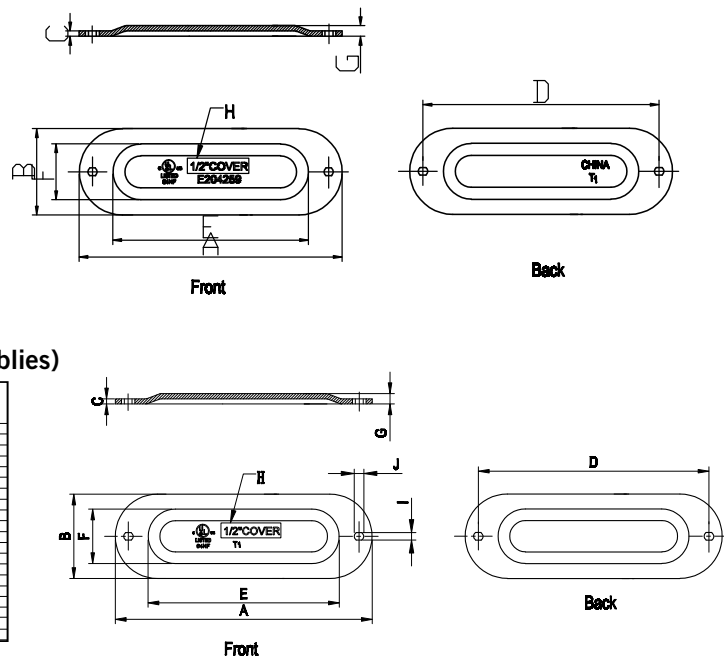
**COT/CT (cont.)**

TRADE SIZE	CATALOG NUMBER	A	B	C	D	E	F ±0.010(.25)	G TAPPED HOLES	NPSM THREAD	J	L ±0.0025(.51)	VOLUME	MAXIMUM WIRE FILL	SET SCREW (6x)
1-1/4"	CT125	8.35 [212]	3.52 [89.4]	2.50 [63.5]	7.24 [184.0]	2.51 [63.7]	6.500 [165.1]	#12-24UNC 2B	1-1/4 11 1/2NPSM	0.260 [6.60]	1.370 [34.80]	30.8 CU.IN 504 CC	3 # 2 AWG MAX	#12-24UNCX.30[7.62] LONG
1-1/2"	CT150	8.35 [212]	3.52 [89.4]	2.50 [63.5]	7.24 [184.0]	2.51 [63.7]	6.500 [165.1]	#12-24UNC 2B	1-1/2 11 1/2NPSM	0.338 [8.58]	1.800 [45.70]	30.8 CU.IN 504 CC	3 # 2 AWG MAX	#12-24UNCX.30[7.62] LONG
2"	CT200	10.55 [268]	4.27 [108.5]	3.41 [86.5]	9.49 [241.0]	3.19 [81.0]	8.562 [217.88]	#12-24UNC 2B	2-1/2 11 1/2NPSM	0.350 [8.89]	2.067 [52.25]	67.0 CU.IN 1098 CC	3 # 2/0 MAX	#5/16-24UNFX.05[14.0] LONG



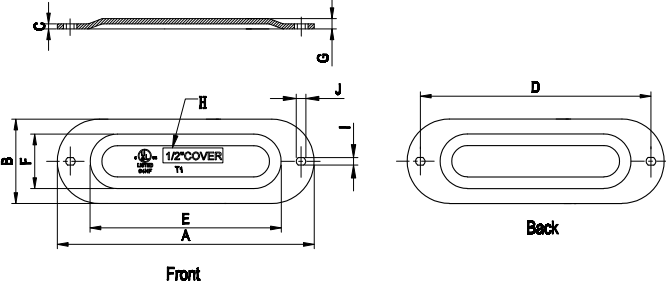
**SSC STAMPED STEEL COVER**

TRADE SIZE	CATALOG NUMBER	A	B	C	D±0.2	E	F	G	CAPTIVE SCREW	F
1/2"	SSC050	3.900 [99.0]	1.340 [34.0]	0.860 [21.8]	3.200 [81.3]	2.800 [71.1]	0.897 [22.8]	0.191 [4.8]	#8-32UNCX.1/4[6.2]	1/2" COVER
3/4"	SSC075	4.480 [113.8]	1.290 [32.8]	0.780 [19.8]	4.120 [104.6]	3.490 [88.6]	0.860 [21.8]	0.191 [4.8]	#8-32UNCX.1/4[6.2]	3/4" COVER
1"	SSC100	5.374 [136.8]	1.191 [30.3]	0.680 [17.3]	4.891 [124.2]	4.291 [109.0]	0.830 [21.1]	0.191 [4.8]	#8-32UNCX.1/4[6.2]	1" COVER
1-1/4"	SSC125	7.293 [185.3]	2.500 [63.5]	0.680 [17.3]	6.800 [172.7]	5.027 [127.6]	0.827 [21.1]	0.191 [4.8]	#10-32UNCX.1/2[12.7]	1 1/4" X 1/2" COVER
1-1/2"	SSC150	7.293 [185.3]	2.500 [63.5]	0.680 [17.3]	6.800 [172.7]	5.027 [127.6]	0.827 [21.1]	0.191 [4.8]	#10-32UNCX.1/2[12.7]	1 1/2" COVER
2"	SSC200	9.488 [241.0]	3.150 [80.0]	0.680 [17.3]	8.889 [227.5]	7.293 [185.3]	0.827 [21.1]	0.191 [4.8]	#10-32UNCX.1/2[12.7]	2" COVER
2-1/2"	SSC250	12.205 [310.0]	4.528 [115.0]	0.680 [17.3]	11.252 [285.8]	9.293 [235.9]	0.827 [21.1]	0.191 [4.8]	#12-24UNCX.3/4[19.0]	2 1/2" X 2" COVER
3"	SSC300	12.205 [310.0]	4.528 [115.0]	0.680 [17.3]	11.252 [285.8]	9.293 [235.9]	0.827 [21.1]	0.191 [4.8]	#12-24UNCX.3/4[19.0]	3" COVER
3-1/2"	SSC350	14.961 [380.0]	5.512 [140.0]	0.680 [17.3]	13.885 [352.6]	12.205 [310.0]	0.827 [21.1]	0.191 [4.8]	#14-30UNCX.1/2[12.7]	3 1/2" X 3" COVER
4"	SSC400	14.961 [380.0]	5.512 [140.0]	0.680 [17.3]	13.885 [352.6]	12.205 [310.0]	0.827 [21.1]	0.191 [4.8]	#14-30UNCX.1/2[12.7]	4" COVER



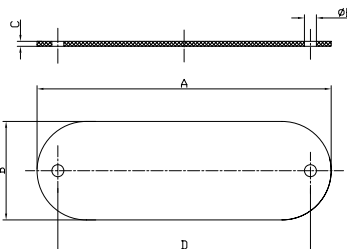
**CSC STAMPED ALUM. COVER (included w/assemblies)**

TRADE SIZE	CATALOG NUMBER	A	B	C	D±0.2	E	F	G	CAPTIVE SCREW	H	I	J
1/2"	CSC050	3.900 [99.0]	1.340 [34.0]	0.860 [21.8]	3.200 [81.3]	2.800 [71.1]	0.897 [22.8]	0.191 [4.8]	#8-32UNCX.3/16[4.8]	1/2" COVER	0.140 [3.5]	0.254 [6.4]
3/4"	CSC075	4.480 [113.8]	1.290 [32.8]	0.680 [17.3]	4.120 [104.6]	3.490 [88.6]	0.860 [21.8]	0.191 [4.8]	#8-32UNCX.3/16[4.8]	3/4" COVER	0.140 [3.5]	0.254 [6.4]
1"	CSC100	5.374 [136.8]	1.191 [30.3]	0.680 [17.3]	4.891 [124.2]	4.291 [109.0]	0.830 [21.1]	0.191 [4.8]	#8-32UNCX.3/16[4.8]	1" COVER	0.140 [3.5]	0.254 [6.4]
1-1/4"	CSC125-1/4"	7.293 [185.3]	2.500 [63.5]	0.680 [17.3]	6.800 [172.7]	5.027 [127.6]	0.827 [21.1]	0.191 [4.8]	#10-32UNCX.1/2[12.7]	1 1/4" X 1/2" COVER	0.190 [4.8]	0.254 [6.4]
1-1/2"	CSC150-1/2"	7.293 [185.3]	2.500 [63.5]	0.680 [17.3]	6.800 [172.7]	5.027 [127.6]	0.827 [21.1]	0.191 [4.8]	#10-32UNCX.1/2[12.7]	1 1/2" COVER	0.190 [4.8]	0.254 [6.4]
2"	CSC200	9.488 [241.0]	3.150 [80.0]	0.680 [17.3]	8.889 [227.5]	7.293 [185.3]	0.827 [21.1]	0.191 [4.8]	#10-32UNCX.1/2[12.7]	2" COVER	0.190 [4.8]	0.254 [6.4]
2-1/2"	CSC250-3/4"	12.205 [310.0]	4.528 [115.0]	0.680 [17.3]	11.252 [285.8]	9.293 [235.9]	0.827 [21.1]	0.191 [4.8]	#12-24UNCX.1/2[12.7]	2 1/2" X 2" COVER	0.291 [7.4]	0.305 [7.8]
3"	CSC300-3/4"	12.205 [310.0]	4.528 [115.0]	0.680 [17.3]	11.252 [285.8]	9.293 [235.9]	0.827 [21.1]	0.191 [4.8]	#12-24UNCX.1/2[12.7]	3" COVER	0.291 [7.4]	0.305 [7.8]
3-1/2"	CSC350-4/4"	14.961 [380.0]	5.512 [140.0]	0.680 [17.3]	13.885 [352.6]	12.205 [310.0]	0.827 [21.1]	0.191 [4.8]	#14-30UNCX.1/2[12.7]	3 1/2" X 3" COVER	0.291 [7.4]	0.305 [7.8]
4"	CSC400-4/4"	14.961 [380.0]	5.512 [140.0]	0.680 [17.3]	13.885 [352.6]	12.205 [310.0]	0.827 [21.1]	0.191 [4.8]	#14-30UNCX.1/2[12.7]	4" COVER	0.291 [7.4]	0.305 [7.8]

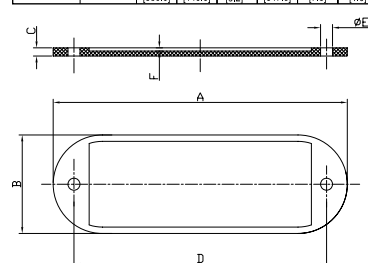


**CRG RUBBER GASKET**

TRADE SIZE	CATALOG NUMBER	A	B	C	D±0.2	ØE
1/2"	CRG050	3.900 [99.0]	1.340 [34.0]	0.067 [1.7]	3.500 [89.3]	0.157 [4.0]
3/4"	CRG075	4.485 [113.8]	1.335 [34.0]	0.067 [1.7]	4.120 [104.6]	0.157 [4.0]
1"	CRG100	5.374 [136.8]	1.191 [30.3]	0.067 [1.7]	4.831 [122.7]	0.157 [4.0]
1-1/4"	CRG125	7.283 [185.0]	2.500 [63.5]	0.067 [1.7]	6.500 [165.1]	0.189 [4.8]
1-1/2"	CRG150	7.283 [185.0]	2.500 [63.5]	0.067 [1.7]	6.500 [165.1]	0.189 [4.8]
2"	CRG-200	9.488 [241.0]	3.150 [80.0]	0.067 [1.7]	8.563 [217.5]	0.189 [4.8]



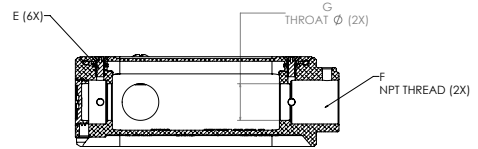
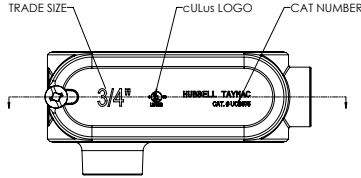
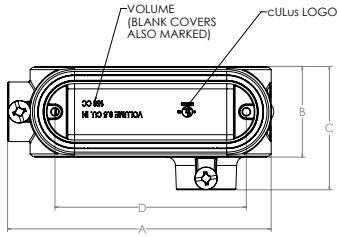
TRADE SIZE	CATALOG NUMBER	A	B	C	D±0.2	ØE	F
2-1/2"	CRG250	12.205 [310.0]	4.528 [115.0]	0.125 [3.2]	11.252 [285.8]	0.307 [7.8]	0.0394 [1.0]
3"	CRG300	12.205 [310.0]	4.528 [115.0]	0.125 [3.2]	11.252 [285.8]	0.307 [7.8]	0.0394 [1.0]
3-1/2"	CRG350	14.961 [380.0]	5.512 [140.0]	0.125 [3.2]	13.885 [352.6]	0.307 [7.8]	0.0394 [1.0]
4"	CRG400	14.961 [380.0]	5.512 [140.0]	0.125 [3.2]	13.885 [352.6]	0.307 [7.8]	0.0394 [1.0]



U • CONDUIT BODIES

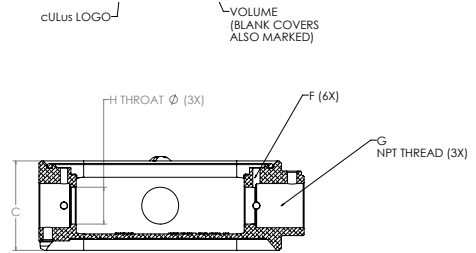
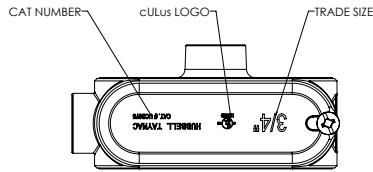
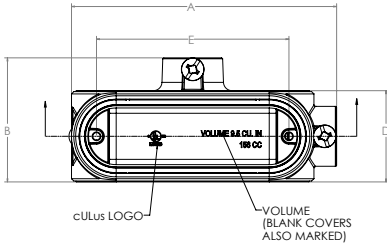
LL/LR/LB

TRADE SIZE	CATALOG NUMBER	A	B	C	D	E	F	G	SET SCREW	VOLUME
1/2"	UCB050	5.10	1.73	2.29	3.55	#10-32 UNF	1/2-14 NPT	0.60	#10-24 UNC	5.8 CU. IN 95 CC
3/4"	UCB075	5.75	1.96	2.69	4.18	#10-32 UNF	3/4-14 NPT	0.80	1/4-20 UNC	9.5 CU. IN 156 CC
1"	UCB0100	6.41	2.23	2.99	4.68	#10-32 UNF	1-11.5 NPT	0.98	1/4-20 UNC	14.3 CU. IN 234 CC



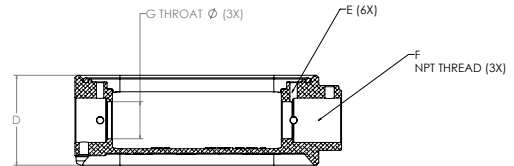
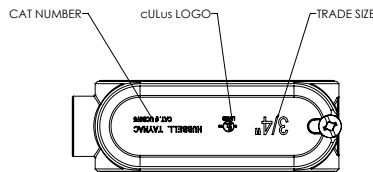
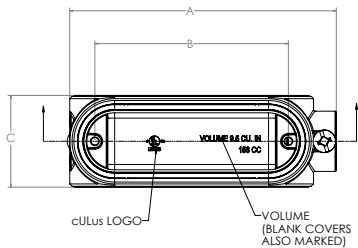
T

TRADE SIZE	CATALOG NUMBER	A	B	C	D	E	F	G	H	SET SCREW	VOLUME
1/2"	UCB050	5.10	2.29	1.71	1.73	3.55	#10-32 UNF	1/2-14 NPT	0.60	#10-24 UNC	5.8 CU. IN 95 CC
3/4"	UCB075	5.75	2.69	1.98	1.96	4.18	#10-32 UNF	3/4-14 NPT	0.80	1/4-20 UNC	9.5 CU. IN 156 CC
1"	UCB0100	6.41	2.99	2.21	2.23	4.68	#10-32 UNF	1-11.5 NPT	0.98	1/4-20 UNC	14.3 CU. IN 234 CC



C

TRADE SIZE	CATALOG NUMBER	A	B	C	D	E	F	G	SET SCREW	VOLUME
1/2"	UCB050	5.10	3.55	1.73	1.71	#10-32 UNF	1/2-14 NPT	0.60	#10-24 UNC	5.8 CU. IN 95 CC
3/4"	UCB075	5.75	4.18	1.96	1.98	#10-32 UNF	3/4-14 NPT	0.80	1/4-20 UNC	9.5 CU. IN 156 CC
1"	UCB0100	6.41	4.68	2.23	2.21	#10-32 UNF	1-11.5 NPT	0.98	1/4-20 UNC	14.3 CU. IN 234 CC









## *Weatherproof Boxes, Covers and Lighting*

D





**STANDARDS, 2020 NATIONAL ELECTRICAL CODE®**
**STANDARDS**

BELL® UPC Vendor Number 050169.

Where applicable, BELL® products are engineered in accordance with the standards established by Underwriters Laboratories and the Canadian Standards Association. Dimensional data listed in this catalog is intended for general reference with broad tolerance limits.

**2020 NEC®**

When specifying BELL® Weatherproof boxes and covers, consult the requirements of the National Electrical Code®, Article 314.16 (B) and 406.9 (B). Article 314.16 (B) details the NEC® requirements for the maximum number of conductors allowed for a BELL® Weatherproof installation. Article 406.9 (B) provides details on the NEC® requirements for receptacles being used in wet locations.

For your convenience, we have reprinted the pertinent NEC® articles. In all cases, consult your local electrical code and inspector interpretation.

**Wiring Capacity: BELL® Weatherproof Boxes and Extensions**
**Maximum Number of Conductors or Minimum Size Box (Article 314.16 (B))**

The purpose of Section 314.16 (B) is to determine the maximum conductor count or the minimum box size required for the job. It also can be used to figure how many other conductors may be added without exceeding the Code-prescribed limit. Most applications have determined the number of conductors. The rules of Section 314.16 (B) are used to determine the Code recognized limit, or smallest box that may be installed.

Selection of any BELL® Weatherproof box or extension for use in any electrical circuit work must take into consideration the maximum number of wires permitted in the box. Safe electrical practice demands that wires not be jammed into boxes because of the possibility of nicks, abrasions, or other damage to the insulating material, creating the potential for ground faults or short circuits.

**314.16 Number of Conductors in Outlet, Device, and Junction Boxes, and Conduit Bodies.** Boxes and conduit bodies shall be of an approved size to provide free space for all enclosed conductors. In no case shall the volume of the box, as calculated in 314.16(A), be less than the fill calculation as calculated in 314.16(B). The minimum volume for conduit bodies shall be as calculated in 314.16(C).

The provisions of this section shall not apply to terminal housings supplied with motors or generators.

Boxes and conduit bodies enclosing conductors 4

AWG or larger shall also comply with the provisions of 314.28. Outlet and device boxes shall also comply with 314.24.

**(A) Box Volume Calculations.** The volume of a wiring enclosure (box) shall be the total volume of the assembled sections and, where used, the space provided by plaster rings, domed covers, extension rings, and so forth, that are marked with their volume or are made from boxes the dimensions of which are listed in Table 314.16(A). (1) Standard Boxes. The volumes of standard boxes that are not marked with their volume shall be as given in Table 314.16(A).

**(2) Other Boxes.** Boxes 1650 cm<sup>3</sup> (100 in.<sup>3</sup>) or less, other than those described in Table 314.16(A), and nonmetallic boxes shall be durably and legibly marked by the manufacturer with their volume. Boxes described in Table 314.16(A) that have a volume larger than is designated in the table shall be permitted to have their volume marked as required by this section.

**(B) Box Fill Calculations.** The volumes in paragraphs 314.16(B)(1) through (B)(5), as applicable, shall be added together. No allowance shall be required for small fittings such as locknuts and bushings. Each space within a box installed with a barrier shall be calculated separately.

**(1) Conductor Fill.** Each conductor that originates outside the box and terminates or is spliced within the box shall be counted once, and each conductor that passes through the box without splice or termination shall be counted once. Each loop or coil of unbroken conductor not less than twice the minimum length required for free conductors in 300.14 shall be counted twice. The conductor fill shall be calculated using Table 314.16(B). A conductor, no part of which leaves the box, shall not be counted.

*Exception: An equipment grounding conductor or conductors or not over four fixture wires smaller than 14 AWG, or both, shall be permitted to be omitted from the calculations where they enter a box from a domed luminaire or similar canopy and terminate within that box.*

**(2) Clamp Fill.** Where one or more internal cable clamps, whether factory or field supplied, are present in the box, a single volume allowance in accordance with Table 314.16(B) shall be made based on the largest conductor present in the box. No allowance shall be required for a cable connector with its clamping mechanism outside the box.

**(3) Support Fittings Fill.** Where one or more luminaire studs or hickey are present in the box, a single volume allowance in accordance with Table

314.16(B) shall be made for each type of fitting based on the largest conductor present in the box.

**(4) Device or Equipment Fill.** For each yoke or strap containing one or more devices or equipment, a double volume allowance in accordance with Table 314.16(B) shall be made for each yoke or strap based on the largest conductor connected to a device(s) or equipment supported by that yoke or strap. A device or utilization equipment wider than a single 50 mm (2 in.) device box as described in Table 314.16(A) shall have double volume allowances provided for each gang required for mounting.

**(5) Equipment Grounding Conductor Fill.** Where up to four equipment grounding conductors or equipment bonding jumpers enter a box, a single volume allowance in accordance with Table 314.16(B) shall be made based on the largest equipment grounding conductor or equipment bonding jumper entering in the box. A 1/4 volume allowance shall be made for each additional equipment grounding conductor or equipment bonding jumper that enters the box, based on the largest equipment grounding conductor or equipment bonding conductor.

**(C) Conduit Bodies.**

**(1) General.** Conduit bodies enclosing 6 AWG conductors or smaller, other than short-radius conduit bodies as described in 314.16(C)(3), shall have a cross-sectional area not less than twice the cross-sectional area of the largest conduit or tubing to which they can be attached. The maximum number of conductors permitted shall be the maximum number permitted by Table 1 of Chapter 9 for the conduit or tubing to which it is attached.

**(2) With Splices, Taps, or Devices.** Only those conduit bodies that are durably and legibly marked by the manufacturer with their volume shall be permitted to contain splices, taps, or devices. The maximum number of conductors shall be calculated in accordance with 314.16(B). Conduit bodies shall be supported in a rigid and secure manner.

**(3) Short Radius Conduit Bodies.** Conduit bodies such as capped elbows and service-entrance elbows that enclose conductors 6 AWG or smaller, and are only intended to enable the installation of the raceway and the contained conductors, shall not contain splices, taps, or devices and shall be of an approved size to provide free space for all conductors enclosed in the conduit body.

**406.9 Receptacles in Damp or Wet Locations.**

**(A) Damp Locations.** A receptacle installed outdoors in a location protected from the weather or in other damp locations shall have an enclosure for the receptacle that is weatherproof when the receptacle



is covered (attachment plug cap not inserted and receptacle covers closed).

An installation suitable for wet locations shall also be considered suitable for damp locations.

A receptacle shall be considered to be in a location protected from the weather where located under roofed open porches, canopies, marquees, and the like, and will not be subjected to a beating rain or water runoff. All 15- and 20-ampere, 125- and 250-volt nonlocking receptacles shall be a listed weather-resistant type.

**Informational Note:** The types of receptacles covered by this requirement are identified as 5-15, 5-20, 6-15, and 6-20 in ANSI/NEMA WD 6-2016, Wiring Devices — Dimensional Specifications.

### (B) Wet Locations.

**(1) Receptacles of 15 and 20 Amperes in a Wet Location.** 15- and 20-ampere, 125- and 250-volt receptacles installed in a wet location shall have an enclosure that is weatherproof whether or not the attachment plug cap is inserted. An outlet box hood installed for this purpose shall be listed and shall be identified as “extra-duty.” All 15- and 20-ampere, 125- and 250-volt nonlocking-type receptacles shall be listed weather-resistant type.

**Informational Note No. 1:** Requirements for extra-duty outlet box hoods are found in ANSI/UL 514D-2016, Cover Plates for Flush-Mounted Wiring Devices.

**Informational Note No. 2:** The types of receptacles covered by this requirement are identified as 5-15, 5-20, 6-15, and 6-20 in ANSI/NEMA WD 6-2016, Wiring Devices — Dimensional Specifications.

*Exception: 15- and 20-ampere, 125- through 250-volt receptacles installed in a wet location and subject to routine high-pressure spray washing shall be permitted to have an enclosure that is weatherproof when the attachment plug is removed.*

**(2) Other Receptacles.** All other receptacles installed in a wet location shall comply with 406.9(B)(2)(a) or (B)(2)(b).

(a) A receptacle installed in a wet location, where the product intended to be plugged into it is not attended while in use, shall have an enclosure that is weatherproof with the attachment plug cap inserted or removed.

(b) A receptacle installed in a wet location where the product intended to be plugged into it will be attended while in use (e.g., portable tools) shall have an enclosure that is weatherproof when the attachment plug is removed.

**(C) Bathtub and Shower Space.** Receptacles shall not be installed within a zone measured 900 mm (3 ft) horizontally and 2.5 m (8 ft) vertically from the top of the bathtub rim or shower stall threshold. The identified zone is all-encompassing and shall include the space directly over the tub or shower stall.

**(D) Protection for Floor Receptacles.** Standpipes of floor receptacles shall allow floor-cleaning equipment to be operated without damage to receptacles.

**(E) Flush Mounting with Faceplate.** The enclosure for a receptacle installed in an outlet box flush-mounted in a finished surface shall be made weatherproof by

means of a weatherproof faceplate assembly that provides a watertight connection between the plate and the finished surface.

### GENERAL FEATURES AND BENEFITS

BELL® Weatherproof products all offer these features and benefits:

- Rugged seamless die cast construction that will not allow entry of moisture
- Reinforced connector outlets to provide a secure mechanical installation
- State-of-the-art powder coat paint for maximum weatherability and scratch resistance
- Bilingual instructions provided with every product
- Installation hardware and ground screws included where applicable
- Shrink-wrap packaging that keeps all components together
- UPC-A barcoding to help lower transaction costs

Refer to the pages that follow for more specific information about BELL® products.

National Electric Code® and NEC® is a registered Trademark of the National Fire Protection Association.

### Calculate The Minimum Size Box

Section 314-16(B) describes in detail the method of counting wires, as well as clamps, fittings, or devices (i.e., switches, receptacles, combination devices) — by establishing an equivalent conductor-value for each. These values are added together to get a total number of conductors. The minimum size box is the smallest one in cubic inch size that can accommodate that number of conductors.

#### Points to Remember:

1. No matter how many ground wires come into a box, they only count as one conductor within the box.
2. Any wire running unbroken through the box counts as one wire.
3. Each wire coming into a splice device (crimp or twist-on type) is counted as one wire.
4. Each wire coming into the box and connecting to a device counts as one wire of that size.

Table 314.16(B) Volume Allowance Required per Conductor		
Size of Conductor (AWG)	Free Space Within Box for Each Conductor	
	cm <sup>3</sup>	in. <sup>3</sup>
18	24.6	1.50
16	28.7	1.75
14	32.8	2.00
12	36.9	2.25
10	41.0	2.50
8	49.2	3.00
6	81.9	5.00

5. Where devices are mounted in the box, the total conductor count must be increased by two for each mounting strap.

#### Example – BELL® Weatherproof

Supply power to a single switch with #14 conductors. Metal conduit will be used as the wire way. You must provide space for four conductors and one switch, totally a conductor count of 6. Read across the line in Table 314.16(B) for a #14 conductor. Multiply 6 times the free space within a box. For each conductor for a #14 conductor 2.00. This example requires a minimum box of 12.0 cubic inches.

## DIE-CAST ALUMINUM BOXES

### 1-GANG

#### APPLICATIONS

- For use in branch circuit wiring in wet, damp or dry locations
- May be used as a weatherproof junction box, or as a housing for receptacles, switches and GFCI's

#### PRODUCT FEATURES

- Reinforced connector outlets
- Durable powder coat finish
- Eight box mounting options with detachable lugs provided
- Two closure plugs included
- Ground screw installed
- Multilingual instructions in each package
- Internal threads on hubs comply with NEMA requirements. Hubs accept all threaded fittings and threaded conduit

#### COMPLIANCES

- – File 195978
- NEMA 3R Rated



5320-0 to 5320-9  
5324-0 to 5324-5



5320-1



5320-2



5321-0 to  
5321-6, 5330-0



5322-0, 5331-0



5323-0, 5332-0



5385-0 to  
5387-0

CATALOG #	CUBIC IN. (CM <sup>3</sup> )	DESCRIPTION		PKG. TYPE	STD. PKG.	BARCODE
		COLOR	OUTLETS			
<b>2" Deep, with Lugs – Three Threaded Outlets – 4-1/2" X 2-3/4"</b>						
5320-0	18.3 (299.9)	Gray	(3) 1/2"	Shrink	20	
5320-1	18.3 (299.9)	White	(3) 1/2"	Shrink	20	
5320-2	18.3 (299.9)	Bronze	(3) 1/2"	Shrink	20	
5320-5	18.3 (299.9)	Gray	(3) 1/2"	Carded	6	
5320-6	18.3 (299.9)	White	(3) 1/2"	Carded	6	
5320-7	18.3 (299.9)	Bronze	(3) 1/2"	Carded	6	
5320-9	18.3 (299.9)	Gray	(3) 1/2"	Bulk	50	
5324-0	18.3 (299.9)	Gray	(3) 3/4"	Shrink	20	
5324-1	18.3 (299.9)	White	(3) 3/4"	Shrink	20	
5324-5	18.3 (299.9)	Gray	(3) 3/4"	Carded	6	
<b>2" Deep, with Lugs – Four Threaded Outlets – 4-1/2" X 2-3/4"</b>						
5321-0	18.3 (299.9)	Gray	(4) 1/2"	Shrink	20	
5321-1	18.3 (299.9)	White	(4) 1/2"	Shrink	20	
5321-2	18.3 (299.9)	Bronze	(4) 1/2"	Shrink	20	
5321-5	18.3 (299.9)	Gray	(4) 1/2"	Carded	6	
5321-6	18.3 (299.9)	White	(4) 1/2"	Carded	6	
5330-0	18.3 (299.9)	Gray	(4) 3/4"	Shrink	20	
<b>2" Deep, with Lugs – Five Threaded Outlets – 4-1/2" X 2-3/4"</b>						
5322-0	18.3 (299.9)	Gray	(5) 1/2"	Shrink	20	
5331-0	18.3 (299.9)	Gray	(5) 3/4"	Shrink	20	
5323-0	18.3 (299.9)	Gray	(5) 1/2"	Shrink	20	
5332-0	18.3 (299.9)	Gray	(5) 3/4"	Shrink	20	
<b>2-5/8" Deep, with Lugs – Three Threaded Outlets – 4-1/2" X 2-3/4"</b>						
5385-0	22.5 (368.7)	Gray	(3) 1/2"	Shrink	15	
5386-0	22.5 (368.7)	Gray	(3) 3/4"	Shrink	15	
5387-0	22.5 (368.7)	Gray	(3) 1"	Shrink	15	

SEE END OF SECTION (PG D36) FOR DETAILED DRAWINGS >>

## DIE-CAST ALUMINUM EXTENSIONS AND ADAPTERS

### 1-GANG



**5406-0**  
(No ground screw provided)



**5399-0, 5403-0**  
(Includes one closure plug)



**5400-0 to 5400-5  
5405-0**  
(Includes three closure plugs)

#### APPLICATIONS

- Use to provide additional capacity needed for NEC box fill requirements
- Adapters allow installer to add “take-offs” to new boxes/devices

#### PRODUCT FEATURES

- Installation hardware, gasket, and ground screw provided
- Closure plugs provided for two and six outlet styles
- Internal threads and hubs comply with NEMA requirements. Hubs accept all threaded fittings and threaded conduit

#### COMPLIANCES

- – File E195978
- NEMA 3R Rated

CATALOG #	CUBIC IN. (CM <sup>3</sup> )	DESCRIPTION		PKG. TYPE	STD. PKG.	BARCODE
		COLOR	OUTLETS			
<b>1-Gang Extension – 4-1/2" X 2-3/4" X 1" Deep</b>						
5406-0	9.5 (155.7)	Gray	—	Shrink	25	
<b>1-Gang – Extension Adapters – 5-1/4" X 3-1/2" X 1-1/2" Deep – Two threaded outlets</b>						
5399-0	9.5 (155.7)	Gray	(2) 1/2"	Shrink	20	
5403-0	11.0 (180.3)	Gray	(2) 3/4"	Shrink	20	
<b>1-Gang – Extension Adapters – 5-1/4" X 3-1/2" X 1-1/2" Deep – Six Threaded outlets</b>						
5400-0	9.5 (155.7)	Gray	(6) 1/2"	Shrink	20	
5400-5	9.5 (155.7)	Gray	(6) 1/2"	Carded	6	
5405-0	11.0 (180.3)	Gray	(6) 3/4"	Shrink	20	



**5412-0, 5413-0**  
(Includes one closure plug)



**5414-0, 5415-0**  
(Includes three closure plugs)

#### APPLICATIONS

- Used to provide additional capacity needed for NEC box fill requirements
- Allows installer to add “take-offs” to new boxes/devices

#### PRODUCT FEATURES

- Unique swing-arm design speeds installation. Allows the installer better visibility when lining up and threading fasteners
- Rugged die-cast construction
- Reinforced connector outlets
- Durable powder coat finish
- Installation hardware, ground screw and gasket provided
- Multilingual instructions in each package
- Internal threads and hubs comply with NEMA requirements. Hubs accept all threaded fittings and threaded conduit

#### COMPLIANCES

- – File E195978
- NEMA 3R Rated

CATALOG #	CUBIC IN. (CM <sup>3</sup> )	DESCRIPTION		PKG. TYPE	STD. PKG.	BARCODE
		COLOR	OUTLETS			
<b>Swing-Arm – Extension Adapters – 5-1/4" X 3-1/2" X 1-1/2" Deep – Two Threaded Outlets</b>						
5412-0	13.8 (226.1)	Gray	(2) 1/2"	Shrink	10	
5413-0	13.8 (226.1)	Gray	(2) 3/4"	Shrink	10	
<b>Swing-Arm – Extension Adapters – 5-1/4" X 3-1/2" X 1-1/2" Deep – Six Threaded Outlets</b>						
5414-0	12.8 (209.8)	Gray	(6) 1/2"	Shrink	10	
5415-0	12.8 (209.8)	Gray	(6) 3/4"	Shrink	10	

SEE END OF SECTION (PG D36) FOR DETAILED DRAWINGS >>

## DIE-CAST ALUMINUM BOXES

### 2-GANG

#### APPLICATIONS

- For use in branch circuit wiring in wet, damp or dry locations
- May be used as a weatherproof junction box, or as a housing for receptacles, switches and GFCI's

#### PRODUCT FEATURES

- Reinforced connector outlets
- Durable powder coat finish
- Eight box mounting options with detachable lugs provided
- Closure plugs included
- Ground screw installed
- Multilingual instructions in each package
- Internal threads on hubs comply with NEMA requirements. Hubs accept all threaded fittings and threaded conduit

#### COMPLIANCES

- – File E195978
- NEMA 3R Rated



5333-0, 5341-0



5335-0, 5343-0



5337-0 to 5337-5,  
5345-0



5337-1



5337-2



5334-0, 5342-0



5340-0, 5348-0



5338-0, 5346-0



5388-0, 5389-0

CATALOG #	CUBIC IN. (CM <sup>3</sup> )	DESCRIPTION		PKG. TYPE	STD. PKG.	BARCODE
		COLOR	OUTLETS			
<b>2" Deep, with Lugs – Three Threaded Outlets – 4-1/2" X 4-1/2"</b>						
5333-0	32.0 (524.4)	Gray	(3) 1/2"	Shrink	12	
5341-0	32.0 (524.4)	Gray	(3) 3/4"	Shrink	12	
<b>2" Deep, with Lugs – Four Threaded Outlets – 4-1/2" X 4-1/2"</b>						
5335-0	31.0 (508.0)	Gray	(4) 1/2"	Shrink	12	
5343-0	31.0 (508.0)	Gray	(4) 3/4"	Shrink	12	
<b>2" Deep, with Lugs – Five Threaded Outlets – 4-1/2" X 4-1/2"</b>						
5337-0	31.0 (508.0)	Gray	(5) 1/2"	Shrink	12	
5337-1	31.0 (508.0)	White	(5) 1/2"	Shrink	12	
5337-5	31.0 (508.0)	Gray	(5) 1/2"	Carded	4	
5345-0	31.0 (508.0)	Gray	(5) 3/4"	Shrink	12	
5334-0	32.0 (524.4)	Gray	(5) 1/2"	Shrink	12	
5342-0	32.0 (524.4)	Gray	(5) 3/4"	Shrink	12	
<b>2" Deep, with Lugs – Seven Threaded Outlets – 4-1/2" X 4-1/2"</b>						
5340-0	30.2 (494.9)	Gray	(7) 1/2"	Shrink	12	
5348-0	30.2 (494.9)	Gray	(7) 3/4"	Shrink	12	
5338-0	31.0 (508.0)	Gray	(7) 1/2"	Shrink	12	
5346-0	31.0 (508.0)	Gray	(7) 3/4"	Shrink	12	
<b>2-5/8" Deep, with Lugs – Five Threaded Outlets – 4-1/2" X 4-1/2"</b>						
5388-0	36.0 (589.9)	Gray	(5) 3/4"	Shrink	9	
5389-0	36.0 (589.9)	Gray	(5) 1"	Shrink	9	

SEE END OF SECTION (PG D37) FOR DETAILED DRAWINGS >>



### 2-GANG EXTENSION


**5407-0**
**APPLICATION**

- Used to provide additional capacity needed for NEC box fill requirements

**PRODUCT FEATURES**

- Rugged seamless construction
- Durable powder coat finish
- Installation hardware and gasket provided
- Multilingual instructions in each package

**COMPLIANCES**

- – File E195978
- NEMA 3R Rated

CATALOG #	CUBIC IN. (CM <sup>3</sup> )	DESCRIPTION		PKG. TYPE	STD. PKG.	BARCODE
		COLOR	OUTLETS			
<b>2-Gang Extension – 4-21/32" X 4-21/32" X 1-1/32" Deep</b>						
5407-0	16.0 (262.2)	Gray	—	Shrink	10	

### 3-GANG


**5390-0**
**APPLICATIONS**

- For use in branch circuit wiring in wet, damp or dry locations
- Can be used as a weatherproof junction box, or as a housing for receptacles, switches and GFCI's

**PRODUCT FEATURES**

- Seamless die-cast aluminum construction
- Reinforced connector outlets
- Durable powder coat finish
- Eight box mounting options with detachable lugs provided
- Four closure plugs included
- Ground screws installed
- Multilingual instructions in each package
- Internal threads and hubs comply with NEMA requirements. Hubs accept all threaded fittings and threaded conduit

**COMPLIANCES**

- – File E195978
- NEMA 3R Rated

CATALOG #	CUBIC IN. (CM <sup>3</sup> )	DESCRIPTION		PKG. TYPE	STD. PKG.	BARCODE
		COLOR	OUTLETS			
<b>3-Gang Box – 2-5/8" Deep, with Lugs – Seven Threaded Outlets – 4-1/2" X 6-3/8"</b>						
5390-0	55.0 (901.3)	Gray	(7) 3/4"	Boxed	1	

**DIE-CAST ALUMINUM ROUND SPLICE BOXES AND EXTENSION ADAPTER**
**4" ROUND BOX**
**APPLICATIONS**

- For use in branch circuit wiring in wet, damp or dry locations
- Designed for use as a weatherproof junction box. May be used with BELL® round cluster covers and round lampholder combinations

**PRODUCT FEATURES**

- Rugged die-cast construction
- Reinforced connector outlets
- Durable powder coat finish
- Cast-in mounting lugs provide fast, secure installation
- Includes four closure plugs, installed ground screw and multilingual instructions

**COMPLIANCES**

- – File E195978
- NEMA 3R Rated


**5361-0 to  
5361-7, 5372-0**
**5361-1**
**5361-2**

CATALOG #	CUBIC IN. (CM <sup>3</sup> )	DESCRIPTION		PKG. TYPE	STD. PKG.	BARCODE
		COLOR	OUTLETS			
<b>4" Round Splice Box – Five Threaded Outlets – 1-1/2" Deep</b>						
5361-0	16.0 (262.2)	Gray	(5) 1/2"	Shrink	16	
5361-1	16.0 (262.2)	White	(5) 1/2"	Shrink	16	
5361-2	16.0 (262.2)	Bronze	(5) 1/2"	Shrink	16	
5361-5	16.0 (262.2)	Gray	(5) 1/2"	Carded	6	
5361-6	16.0 (262.2)	White	(5) 1/2"	Carded	6	
5361-7	16.0 (262.2)	Bronze	(5) 1/2"	Carded	6	
5372-0	16.0 (262.2)	Gray	(5) 3/4"	Shrink	16	

**ROUND EXTENSION ADAPTERS**
**APPLICATIONS**

- For use with 4" round splice boxes
- Extension adapters are used to increase box capacity and allow the installer to add "take-offs" to new boxes/devices

**PRODUCT FEATURES**

- Rugged die-cast construction
- Reinforced connector outlets
- Durable powder coat finish
- Includes installation hardware, closure plugs, gasket and multilingual instructions

**COMPLIANCES**

- – File E195978
- NEMA 3R Rated


**5363-0**

CATALOG #	CUBIC IN. (CM <sup>3</sup> )	DESCRIPTION		PKG. TYPE	STD. PKG.	BARCODE
		COLOR	OUTLETS			
<b>4" Round Extension Adapter – Four Threaded Outlets – 1-1/2" Deep</b>						
5363-0	16.3 (267.1)	Gray	(4) 1/2"	Shrink	16	



### MULTICONFIGURATION COVERS



MX1050S



MX1050W



MX1050Z

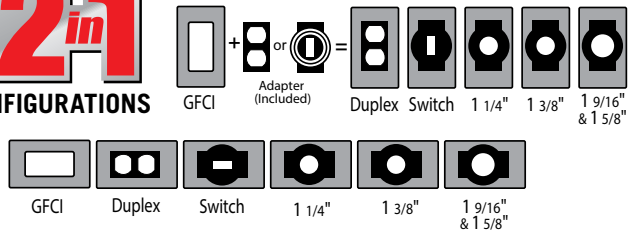


MX1250S, W, Z

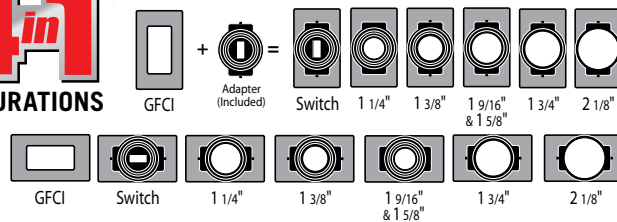


MX1550S

**12<sup>in</sup>1**  
CONFIGURATIONS



**14<sup>in</sup>1**  
CONFIGURATIONS



Horizontal or Vertical Mount



#### APPLICATIONS

- For use whenever weatherproof protection is required for an outdoor receptacle or switch

#### PRODUCT FEATURES

- Heavy duty die-cast metal construction
- Quick-fit keyhole mounting system allows cover installation in under a minute
- Includes gasket and mounting hardware
- Universal Fit Adapter System Technology (U-Fast) comes pre-configured for GFCI
- Durable powder coat finish
- Horizontal or vertical mount
- Lockable tab (fits up to 1/8" shackle)

#### COMPLIANCES

- cULus – File E212332
- Meets NEC® 406.9 (A) Requirements
- NEMA 3R rated

CATALOG #	DESCRIPTION	COLOR	PKG. TYPE	STD. PKG.	BARCODE
<b>1-Gang Flip Covers</b>					
MX1050S	Vertical/Horizontal	Gray	Shrink	20	
MX1050W	Vertical/Horizontal	White	Shrink	20	
MX1050Z	Vertical/Horizontal	Bronze	Shrink	20	
MX1250S	Horizontal/Vertical	Gray	Shrink	20	
MX1250W	Horizontal/Vertical	White	Shrink	20	
MX1250Z	Horizontal/Vertical	Bronze	Shrink	20	
MX1550S	Vertical/Horizontal Twist Lock Cover	Gray	Shrink	10	

**METAL 1-GANG DEVICE COVERS**
**DIE-CAST ALUMINUM RAYNTITE® COVERS**
**APPLICATION**

- For use whenever weatherproof protection is required for an outdoor receptacle

**PRODUCT FEATURES**

- Rugged die-cast construction
- Durable powder coat finish provides maximum weatherability and scratch-resistance
- Self-closing lids assure weatherproof protection when the receptacle is not in use
- Vertical mount covers are padlockable (fits up to 3/16" shackle)
- May be mounted to box or device
- Includes installation hardware, gasket and multilingual instruction

**COMPLIANCES**

- – File E195978
- Meets NEC® 406.9 (A) Requirements
- NEMA 3R rated


**5027-0**

**5028-0 to 5028-6**

**5029-0, 5030-0**

**5031-0**

**5026-0**

CATALOG #	DESCRIPTION	COLOR	PKG. TYPE	STD. PKG.	BARCODE
<b>Rayntite® Vertical Mount – Device Covers</b>					
5026-0	Single, 1.593" diameter	Gray	Shrink	24	
5027-0	Duplex	Gray	Shrink	24	
5028-0	GFCI	Gray	Shrink	24	
5028-5	GFCI	Gray	Carded	6	
5028-6	GFCI	White	Carded	6	
5029-0	20A, 1.710" diameter	Gray	Shrink	12	
5030-0	30-50A, 2.150" diameter	Gray	Shrink	12	
5031-0	Single, 1.406" diameter	Gray	Shrink	12	

SEE END OF SECTION (PG D38) FOR DETAILED DRAWINGS &gt;&gt;

### VERTICAL FLIP COVERS



5146-0 to  
5146-5



5103-0 to  
5103-7



5103-1



5103-2



5155-0 to  
5155-6



5095-0

#### APPLICATION

- For use whenever weatherproof protection is required for an outdoor receptacle

#### PRODUCT FEATURES

- Rugged metallic construction
- Durable powder coat finish provides maximum weatherability and scratch-resistance
- Self-closing lids assure weatherproof protection when the receptacle is not in use
- Includes installation hardware, gasket and multilingual instructions

#### COMPLIANCES

- – File E195978
- Meets NEC® 406.9 (A) Requirements
- NEMA 3R rated

CATALOG #	DESCRIPTION	COLOR	PKG. TYPE	STD. PKG.	BARCODE
<b>Device Mount</b>					
5146-0	Duplex	Gray	Shrink	24	
5146-1	Duplex	White	Shrink	24	
5146-5	Duplex	Gray	Carded	6	
5103-0	GFCI	Gray	Shrink	24	
5103-1	GFCI	White	Shrink	24	
5103-2	GFCI	Bronze	Shrink	24	
5103-5	GFCI	Gray	Carded	6	
5103-6	GFCI	White	Carded	6	
5103-7	GFCI	Bronze	Carded	6	
5155-0	Single, 1.406" diameter	Gray	Shrink	24	
5155-1	Single, 1.406" diameter	White	Shrink	24	
5155-5	Single, 1.406" diameter	Gray	Carded	6	
5155-6	Single, 1.406" diameter	White	Carded	6	
<b>Box Mount</b>					
5095-0	Duplex	Gray	Shrink	24	

## METAL 1-GANG DEVICE COVERS

### HORIZONTAL FLIP COVERS

#### APPLICATION

- For use whenever weatherproof protection is required for an outdoor receptacle

#### PRODUCT FEATURES

- Rugged metallic construction
- Durable powder coat finish provides maximum weatherability and scratch-resistance
- Self-closing lids assure weatherproof protection when the receptacle is not in use
- Includes installation hardware, gasket and multilingual instructions

#### COMPLIANCES

- – File E195978
- 
- Meets NEC® 406.9 (A) Requirements
- NEMA 3R rated



5180-0 to 5180-7



5180-1



5180-2



5101-0 to 5101-7



5102-0



5152-0



5153-0



5712-5WRTR

CATALOG #	DESCRIPTION	COLOR	PKG. TYPE	STD. PKG.	BARCODE
<b>Device Mount</b>					
5180-0	Duplex	Gray	Shrink	24	
5180-1	Duplex	White	Shrink	24	
5180-2	Duplex	Bronze	Shrink	24	
5180-5	Duplex	Gray	Carded	6	
5180-6	Duplex	White	Carded	6	
5180-7	Duplex	Bronze	Carded	6	
5101-0*	GFCI	Gray	Shrink	24	
5101-1*	GFCI	White	Shrink	24	
5101-2*	GFCI	Bronze	Shrink	24	
5101-5*	GFCI	Gray	Carded	6	
5101-6*	GFCI	White	Carded	6	
5101-7*	GFCI	Bronze	Carded	6	
5102-0	GFCI	Gray	Shrink	24	
5152-0	Single, 1.406" diameter	Gray	Shrink	24	
5153-0	Motor plug base, 1.600" diameter, 125V, 15A wiring device included	Gray	Shrink	12	
5712-5WRTR*	125V, 15A WR/TR Duplex receptacle included	Gray	Carded	6	

\* C/UL Listed

### MULTICONFIGURATION COVERS



MX2050S

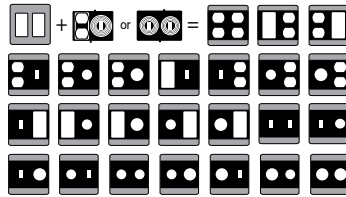


MX2050WH



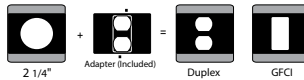
MX2050Z

**25<sup>in</sup>1**  
CONFIGURATIONS



MX2150S

**3<sup>in</sup>1**  
CONFIGURATIONS



#### APPLICATIONS

- For use whenever weatherproof protection is required for an outdoor receptacle or switch

#### PRODUCT FEATURES

- Heavy duty die-cast metal construction
- Quick-Fit keyhole mounting system allows cover installation in under a minute
- Includes gasket and mounting hardware
- Universal Fit Adapter System Technology (U-Fast) comes pre-configured for GFCI
- Durable powdercoat finish
- Horizontal or vertical mount
- Lockable tab (fits up to 1/8" shackle)

#### COMPLIANCES

- cUL<sup>us</sup> – File E212332
- Meets NEC<sup>®</sup> 406.9 (A) Requirements
- NEMA 3R rated

CATALOG #	DESCRIPTION	COLOR	PKG. TYPE	STD. PKG.	BARCODE
<b>2-Gang Flip Covers</b>					
MX2050S	2-Device 25-in-1	Gray	Shrink	6	
MX2050WH	2-Device 25-in-1	White	Shrink	4	
MX2050Z	2-Device 25-in-1	Bronze	Shrink	4	
MX2150S	1-Device 3-in-1	Gray	Shrink	4	



**METAL LOCKING COVER**

**HEAVY DUTY CAST FLUSH WEATHERPROOF**

**APPLICATIONS**

- For use whenever weatherproof protection is required for an outdoor receptacle or switch
- Easily mounts to any 3-3/4" through 4-11/16" square box

**PRODUCT FEATURES**

- Heavy duty cast aluminum construction with durable enamel paint
- Cobra Cam lock, key removal in locked and unlocked positions
- 2 keys provided
- Universal Fit Adapter System Technology (U-Fast) for 4-in-1 custom device configurations, comes pre-configured for GFCI
- Irradiation crosslinked polyethylene foam gasket
- Mounting hardware included
- Adapters included for various devices

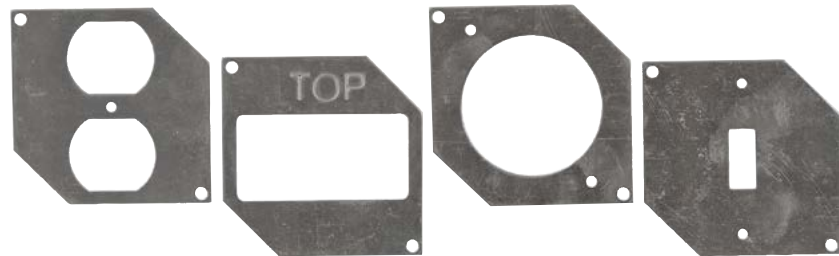
**COMPLIANCES**

- cUL<sub>us</sub> – File E212332
- Meets NEC® 406.9 (A) Requirements
- NEMA 3R rated

**4 in 1**  
**CONFIGURATIONS**



**4600RAC**



CATALOG #	DESCRIPTION	COLOR	PKG. TYPE	STD. PKG.	BARCODE
4600RAC	1-Device 4-in-1, Heavy duty, weatherproof	Gray	Boxed	1	

SEE END OF SECTION (PG D40) FOR DETAILED DRAWINGS >>



**DIE-CAST ALUMINUM RAYNTITE® COVERS**

**5033-0**

**5034-0**

**5036-0**

**5043-0**

**5045-0**
**APPLICATION**

- For use whenever weatherproof protection is required for an outdoor receptacle

**PRODUCT FEATURES**

- Rugged die-cast construction
- Durable powder coat finish provides maximum weatherability and scratch resistance
- Self-closing lids assure weatherproof protection when the receptacle is not in use
- Covers are padlockable (fits up to 3/16" shackle)
- May be mounted to box or device
- Includes installation hardware, gasket and multilingual instructions

**COMPLIANCES**

- – File E195978
- Meets NEC® 406.9 (A) Requirements
- NEMA 3R rated

CATALOG #	DESCRIPTION	COLOR	PKG. TYPE	STD. PKG.	BARCODE
<b>Rayntite® Vertical Mount – Device Covers</b>					
5033-0	(1) Duplex & (1) GFCI	Gray	Shrink	6	
5034-0	(1) 30-50A Receptacle 2.625" diameter	Gray	Shrink	6	
5036-0	(1) 30-50A Receptacle 2.156" diameter	Gray	Shrink	6	
5043-0	(1) Toggle & (1) GFCI	Gray	Shrink	6	
5045-0	(2) GFCI	Gray	Shrink	6	

SEE END OF SECTION (PG D40) FOR DETAILED DRAWINGS &gt;&gt;

**METAL 2-GANG DEVICE COVERS**
**2-GANG FLIPCOVERS**
**APPLICATION**

- For use whenever weatherproof protection is required for an outdoor receptacle

**PRODUCT FEATURES**

- Rugged metallic construction
- Durable powder coat finish provides maximum weatherability and scratch resistance
- Self-closing lids assure weatherproof protection when the receptacle is not in use
- Includes installation hardware, gasket and multilingual instructions

**COMPLIANCES**

- cUL<sub>us</sub> – File E195978
- UL – File E195978
- Meets NEC® 406.9 (A) Requirements
- NEMA 3R rated


**5148-0 to 5148-5**

**5157-0**

**5145-0**

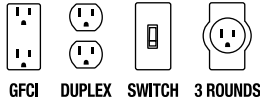
CATALOG #	DESCRIPTION	COLOR	PKG. TYPE	STD. PKG.	BARCODE
<b>Device Mount</b>					
5148-0	(2) Duplex	Gray	Shrink	18	
5148-5	(2) Duplex	Gray	Carded	4	
5157-0	(2) Single, 1.406" dia.	Gray	Shrink	18	
<b>Box Mount</b>					
5145-0	(2) GFCI	Gray	Shrink	10	

SEE END OF SECTION (PG D40) FOR DETAILED DRAWINGS &gt;&gt;

MULTICONFIGURATION COVER

**125<sup>in</sup>1**

**CONFIGURATIONS**



GFCI   DUPLEX   SWITCH   3 ROUNDS



**MX3050S**

**APPLICATIONS**

- For use whenever weatherproof protection is required for an outdoor receptacle or switch

**PRODUCT FEATURES**

- Heavy duty die-cast metal construction
- Quick-Fit keyhole mounting system allows cover installation in under a minute
- Includes gasket and mounting hardware
- Universal Fit Adapter System Technology (U-Fast) for 125-in-1 custom device configurations, comes pre-configured for GFCI
- Durable powder coat finish
- Horizontal or vertical mount
- Lockable tab (fits up to 3/16" shackle)

**COMPLIANCES**

- cUL<sub>us</sub> – File E212332
- Meets NEC® 406.9 (A) Requirements
- NEMA 3R rated

CATALOG #	DESCRIPTION	COLOR	PKG. TYPE	STD. PKG.	BARCODE
<b>3-Gang Flip Covers</b>					
MX3050S	3-Device 125-in-1	Gray	Shrink	5	

BOX MOUNT FLIP COVER



**5093-0**

**APPLICATIONS**

- For use whenever weatherproof protection is required for an outdoor receptacle

**PRODUCT FEATURES**

- Rugged metallic construction
- Durable powder coat finish provides maximum weatherability and scratch resistance
- Self-closing lids assure weatherproof protection when the receptacle is not in use
- Includes installation hardware, gasket and multilingual instructions

**COMPLIANCES**

- cUL<sub>us</sub> – File E195978
- Meets NEC® 406.9 (A) Requirements
- NEMA 3R Rated

CATALOG #	DESCRIPTION	COLOR	PKG. TYPE	STD. PKG.	BARCODE
<b>3-Gang Flip Covers</b>					
5093-0	(3) Single, 1.406" dia.	Gray	Boxed	1	

## METAL DEVICE COVER COMBOS AND KITS

### FLIP COVER COMBOS AND COMPLETE KITS

#### APPLICATION

- Receptacle and metal cover combos for use whenever weatherproof protection is required in wet, damp, or dry location

#### PRODUCT FEATURES

- High quality Hubbell WRTR device included
- Heavy duty die-cast metal construction
- Includes gasket and mounting hardware
- Durable powder coat finish
- Lockable tab (see cover listings for shackle dia.)
- Includes receptacle and cover
- Each kit is a convenient, complete weatherproof installation – no need to purchase separate components

#### COMPLIANCES

- – File E212332 (MD/MG series)
- – File E313240 (5839 series)
- – File E346152 (5874/MK series)
- Meets NEC® 406.9 (A) Requirements
- NEMA 3R rated



**MD1050S**



**MG1050S**



**MD1250S**



**MG1250S**



**5839-5WRTR to 5839-7WRTR**



**5874-5S to 5874-6S**



**MK1250S, WH**

CATALOG #	DESCRIPTION	COLOR	PKG. TYPE	STD. PKG.	BARCODE
<b>Receptacle / Flip Cover Combos</b>					
<b>MD1050S</b>	Hubbell WR/TR 15A GFCI Duplex/ Vertical/Horizontal Flip Cover Combo	Gray	Shrink	8	
<b>MG1050S</b>	Hubbell WR/TR 15A Self Test GFCI / Vertical/Horizontal Flip Cover Combo	Gray	Shrink	6	
<b>MD1250S</b>	Hubbell WR/TR 15A GFCI Duplex / Horizontal/Vertical Flip Cover Combo	Gray	Shrink	8	
<b>MG1250S</b>	Hubbell WR/TR 15A Self Test GFCI / Horizontal/Vertical Flip Cover Combo	Gray	Shrink	6	
<b>Complete Flip Cover Kits</b>					
<b>5839-5WRTR</b>	Flip Cover, WR/TR Duplex, GFCI	Gray	Box	4	
<b>5839-6WRTR</b>	Flip Cover, WR/TR Duplex, GFCI	White	Box	4	
<b>5839-7WRTR</b>	Flip Cover, WR/TR Duplex, GFCI	Bronze	Box	4	
<b>5874-5S</b>	Self Test GFCI	Gray	Box	4	
<b>5874-6S</b>	Self Test GFCI	White	Box	4	
<b>MK1250S</b>	GFCI Duplex	Gray	Clamshell	4	
<b>MK1250WH</b>	Duplex	White	Clamshell	4	

SEE END OF SECTION (PG D41) FOR DETAILED DRAWINGS >>

### METAL BOX COVERS



#### APPLICATION

- For use whenever weatherproof protection is required for a weatherproof box

#### PRODUCT FEATURES

- Rugged metallic construction
- Durable powder coat finish provides maximum weatherability and scratch-resistance

#### COMPLIANCES

- US – File E195978
- NEC® Compliant
- NEMA 3R Rated

CATALOG #	DESCRIPTION	COLOR	PKG. TYPE	STD. PKG.	BARCODE
<b>1-Gang Blank Covers - Device Mount</b>					
5173-0	Blank Cover	Gray	Shrink	50	
5173-1	Blank Cover	White	Shrink	50	
5173-2	Blank Cover	Bronze	Shrink	50	
5173-5	Blank Cover	Gray	Carded	12	
5173-6	Blank Cover	White	Carded	12	
5173-7	Blank Cover	Bronze	Carded	12	
<b>1-Gang Blank Covers - Box Mount</b>					
5174-0	Blank Cover	Gray	Shrink	50	
<b>2-Gang Blank Covers - Device Mount</b>					
5175-0	Blank Cover	Gray	Shrink	25	
5175-1	Blank Cover	White	Shrink	25	
5175-2	Blank Cover	Bronze	Shrink	25	
5175-5	Blank Cover	Gray	Carded	6	
<b>3-Gang Blank Covers - Box Mount</b>					
5177-0	Blank Cover	Gray	Boxed	10	

### ROUND BOX COVERS



#### APPLICATION

- For use with 4" round splice boxes

#### PRODUCT FEATURES

- Rugged metallic construction
- Durable powder coat finish
- Includes installation hardware, gasket and multilingual instructions

#### COMPLIANCES

- – File E195978
- NEC® Compliant
- NEMA 3R Rated

CATALOG #	DESCRIPTION	COLOR	PKG. TYPE	STD. PKG.	BARCODE
<b>4" Round Cover</b>					
5374-0	Round, Blank Cover	Gray	Shrink	30	
5374-1	Round, Blank Cover	White	Shrink	20	
5374-2	Round, Blank Cover	Bronze	Shrink	20	

**METAL ROCKER SWITCH COVERS**
**METAL DECORATOR SWITCH COVERS**
**APPLICATION**

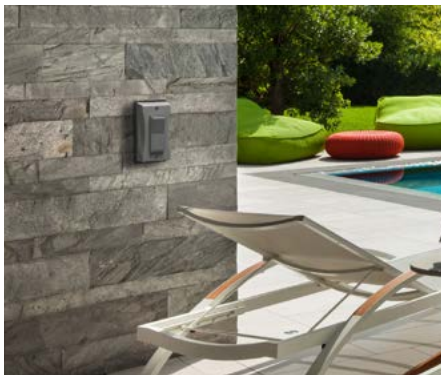
- A convenient and stylish switch for BBQ island, patio, deck, exterior walls, pool and spa and more

**PRODUCT FEATURES**

- Convenient on/off polycarbonate rocker switch
- Internal elastomer membrane
- Compatible with single pole or 3-way decorator switches

**COMPLIANCES**

- cUL<sup>us</sup> – File E116141
- NEC<sup>®</sup> Compliant
- NEMA 3R Rated


**5122-0\***

**5123-0**

**5123-1**

**5123-2**

**5127-0**

**5127-1**

**5127-2**

**5129-0**

**5129-1**

**5129-2**

CATALOG #	DESCRIPTION	COLOR	PKG. TYPE	STD. PKG.	BARCODE
<b>Weatherproof Decorator Switch Covers</b>					
5122-0	Weatherproof Decorator Switch Cover and Switch*	Gray	Clamshell	6	
5123-0	Weatherproof Decorator Switch Cover	Gray	Shrink	10	
5123-1	Weatherproof Decorator Switch Cover	White	Shrink	10	
5123-2	Weatherproof Decorator Switch Cover	Bronze	Shrink	10	
5127-0	2-Gang Weatherproof Decorator Switch Cover	Gray	Shrink	6	
5127-1	2-Gang Weatherproof Decorator Switch Cover	White	Shrink	6	
5127-2	2-Gang Weatherproof Decorator Switch Cover	Bronze	Shrink	6	
5129-0	3-Gang Weatherproof Decorator Switch Cover	Gray	Shrink	2	
5129-1	3-Gang Weatherproof Decorator Switch Cover	White	Shrink	2	
5129-2	3-Gang Weatherproof Decorator Switch Cover	Bronze	Shrink	2	

\* 15A 120/277 VAC single pole nonmetallic decorator switch included.

SEE END OF SECTION (PG D42) FOR DETAILED DRAWINGS >>



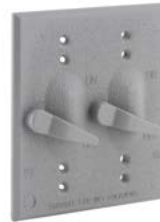
## METAL TOGGLE SWITCH COVERS



5121-0 to 5121-5  
5141-0 to 5141-5  
5128-0, 5137-0



5124-0, 5124-5



5125-0



5167-0



5166-0WRTR to  
5166-5WRTR



5201-0



5126-0

### APPLICATION

- For use whenever weatherproof protection is required for an “on-off” type switch

### PRODUCT FEATURES

- Rugged metallic construction
- Durable powder coat finish provides maximum weatherability and scratch resistance.
- Includes installation hardware and multilingual instructions
- Most units supplied with switch(es) – no need to purchase separate components
- Switch/cover units are supplied with the switch unassembled to the cover

### COMPLIANCES

- – File E195978
- NEC® Compliant
- NEMA 3R Rated

CATALOG #	DESCRIPTION	COLOR	PKG. TYPE	STD. PKG.	BARCODE
<b>1-Gang Switch Covers – Vertical – Device Mounted</b>					
5121-0	SP 125V, 15A	Gray	Shrink	24	
5121-1	SP 125V, 15A	White	Shrink	24	
5121-2	SP 125V, 15A	Bronze	Shrink	24	
5121-5	SP 125V, 15A	Gray	Carded	6	
5141-0	3-Way 125V, 6A or 250V, 3A	Gray	Shrink	8	
5141-5	3-Way 125V, 6A or 250V, 3A	Gray	Carded	6	
5128-0	SP 120-277VAC, 20A	Gray	Shrink	20	
5137-0	DP 120-277VAC, 20A	Gray	Shrink	20	
<b>2-Gang Switch Covers – Device Mounted</b>					
5124-0	(2) SP 125V, 15A	Gray	Shrink	8	
5124-5	(1) SP & (1) 3-Way 125V, 15A Toggle switch	Gray	Carded	4	
5125-0	Cover only	Gray	Shrink	8	
5166-0WRTR	(1) SP 125V, 15A & (1) WR/TR Duplex Receptacle	Gray	Shrink	8	
5166-5WRTR	(1) SP 125V, 15A & (1) WR/TR Duplex Receptacle	Gray	Carded	4	
5167-0	2-Gang, Switch/GFCI Cover	Gray	Shrink	8	
<b>3-Gang Switch Cover – Device Mount</b>					
5126-0	(3) SP 125V, 15A	Gray	Boxed	1	
<b>Toggle Switch</b>					
5201-0	SP 125V, 15A Toggle switch	–	Polybag	10	

SEE END OF SECTION (PG D43) FOR DETAILED DRAWINGS >>

## DIE-CAST LAMPHOLDER/CLUSTER COVERS

### APPLICATIONS

- For use with BELL® 1-Gang rectangular or round weather-proof boxes
- Cluster covers provide an easy means of mounting BELL® lampholders and other accessories

### PRODUCT FEATURES

- Rugged die-cast construction
- Durable powder coat finish provides maximum weatherability and scratch-resistance
- Includes installation hardware, gasket and multilingual instructions
- Three-hole covers are supplied with two closure plugs

### COMPLIANCES

- – Standard 514A
- NEC® Compliant
- NEMA 3R Rated



5186-0 to  
5186-7



5189-0 to  
5189-7



5193-0 to  
5193-7



5197-0 to  
5197-7

CATALOG #	DESCRIPTION	COLOR	PKG. TYPE	STD. PKG.	BARCODE
<b>Rectangular Cluster Covers</b>					
5186-0	(1) 1/2" Outlet	Gray	Shrink	20	
5186-1	(1) 1/2" Outlet	White	Shrink	20	
5186-2	(1) 1/2" Outlet	Bronze	Shrink	20	
5186-5	(1) 1/2" Outlet	Gray	Carded	6	
5186-6	(1) 1/2" Outlet	White	Carded	6	
5186-7	(1) 1/2" Outlet	Bronze	Carded	6	
5189-0	(3) 1/2" Outlets	Gray	Shrink	20	
5189-1	(3) 1/2" Outlets	White	Shrink	20	
5189-2	(3) 1/2" Outlets	Bronze	Shrink	20	
5189-5	(3) 1/2" Outlets	Gray	Carded	6	
5189-6	(3) 1/2" Outlets	White	Carded	6	
5189-7	(3) 1/2" Outlets	Bronze	Carded	6	
<b>4" Round Cluster Covers</b>					
5193-0	(1) 1/2" Outlet	Gray	Shrink	20	
5193-1	(1) 1/2" Outlet	White	Shrink	20	
5193-2	(1) 1/2" Outlet	Bronze	Shrink	20	
5193-5	(1) 1/2" Outlet	Gray	Carded	6	
5193-6	(1) 1/2" Outlet	White	Carded	6	
5193-7	(1) 1/2" Outlet	Bronze	Carded	6	
5197-0	(3) 1/2" Outlets	Gray	Shrink	20	
5197-1	(3) 1/2" Outlets	White	Shrink	20	
5197-2	(3) 1/2" Outlets	Bronze	Shrink	20	
5197-5	(3) 1/2" Outlets	Gray	Carded	6	
5197-6	(3) 1/2" Outlets	White	Carded	6	
5197-7	(3) 1/2" Outlets	Bronze	Carded	6	

SEE END OF SECTION (PG D43) FOR DETAILED DRAWINGS >>

## DIE-CAST LAMPHOLDERS



### APPLICATIONS

- For outdoor or indoor lighting use
- For use with BELL® cluster covers and boxes

### PRODUCT FEATURES

- Rugged metallic construction
- Durable powder coat finish provides maximum weatherability and scratch-resistance
- Locking swivel knuckle assures positive lamp positioning and provides pinpoint directional aiming
- Extra long wire leads for easy hook-up
- Each lampholder supplied with a porcelain socket, inside gasket, 1/2" locknut and multilingual instructions

### COMPLIANCES

- – Standard 1598
- NEC® Compliant
- NEMA 3R Rated

CATALOG #	DESCRIPTION	COLOR	PKG. TYPE	STD. PKG.	BARCODE
<b>Lampholders and Accessories for 75-150 Watt Par 38 Lamps</b>					
5606-0	Lampholder	Gray	Shrink	30	
5606-1	Lampholder	White	Shrink	30	
5606-2	Lampholder	Bronze	Shrink	30	
5606-5	Lampholder	Gray	Carded	6	
5606-6	Lampholder	White	Carded	6	
5606-7	Lampholder	Bronze	Carded	6	
5612-0	Lampholder w/gasket	Gray	Shrink	30	
5611-0	Outer gasket only, replacement gasket for 5612-0	–	Polybag	15	
<b>Architectural Lampholders for 75-150 Watt Par 38 Lamps</b>					
5613-0	Lampholder	Gray	Shrink	4	
5613-1	Lampholder	White	Shrink	4	
5613-2	Lampholder	Bronze	Shrink	4	

## SWIVEL JOINT LAMPHOLDERS

### Halogen



### APPLICATION

- For general outdoor lighting use in wet, damp or dry locations

### PRODUCT FEATURES

- Superior commercial quality die-cast metal construction
- Premium powder coat finish
- LTS100 include porcelain sockets and external weatherproof gaskets. CFL compatible
- LHS uses halogen bulb which last up to 3 times longer and produce almost 50% more light as incandescent bulbs
- No-tool easy-mount feature
- Swivel joint for easy directional lighting

### COMPLIANCES

- – File E310337
- NEC® Compliant
- NEMA 3R Rated

CATALOG #	DESCRIPTION	COLOR	PKG. TYPE	STD. PKG.	BARCODE
<b>120V Halogen Swivel Lampholder</b>					
LHS100S	75W Halogen Bulb Included (GY 8.6 TYPE 4)	Gray	Shrink	6	
LHS100W	75W Halogen Bulb Included (GY 8.6 TYPE 4)	White	Shrink	6	
LHS100Z	75W Halogen Bulb Included (GY 8.6 TYPE 4)	Bronze	Shrink	6	
<b>Traditional or CFL Swivel Lampholder</b>					
LTS100S	Uses Par 38 Bulb (150W Maximum, Not Included)	Gray	Shrink	10	
LTS100WH	Uses Par 38 Bulb (150W Maximum, Not Included)	White	Shrink	10	
LTS100Z	Uses Par 38 Bulb (150W Maximum, Not Included)	Bronze	Shrink	10	

SEE END OF SECTION (PG D44) FOR DETAILED DRAWINGS >>

**DIE-CAST LED FLOODLIGHTS**
**LED SWIVEL FLOODLIGHTS**
**APPLICATION**

- Use to light outdoor hard-to-see areas for added convenience

**PRODUCT FEATURES**

- 85% less energy consumption (8W)
- 800 lumens (LL800 series) equal to a 60W incandescent
- Die-cast aluminum heads
- Swivel joint for easy light adjustment
- 120VAC 60Hz
- Long life - up to 50,000 hours

**COMPLIANCES**

- cUL<sub>us</sub> – NEC and NEMA 3R

Warm White  
**LED**  
3000K


**LL800S**

**LL800W**

**LL800Z**

CAT. #	DESCRIPTION	COLOR	PKG. TYPE	STD. PKG.	BAR-CODE
<b>LED Swivel Floodlight for Outdoor Use in Wet Locations</b>					
LL800S	Weatherproof LED Floodlight 8W/800 Lumen Warm White	Gray	Box	4	
LL800W	Weatherproof LED Floodlight 8W/800 Lumen Warm White	White	Box	4	
LL800Z	Weatherproof LED Floodlight 8W/800 Lumen Warm White	Bronze	Box	4	

**APPLICATION**

- Use to light outdoor hard-to-see areas for added convenience

**PRODUCT FEATURES**

- Commercial Grade
- 85% less energy consumption (13W)
- 1200 lumens (equal to 75W Incandescent)
- Die-cast aluminum heads
- Unique locking swivel joint for easy light adjustment
- 120/277VAC 50/60Hz
- Long life - up to 50,000 hours
- 6" lead wires

**COMPLIANCES**

- cUL<sub>us</sub> – NEC and NEMA 3R
- D1.C4.0 CERTIFIED

COMMERCIAL GRADE  
Warm White  
**LED**  
3000K


**LL1200S**

**LL1200W**

**LL1200Z**

CAT. #	DESCRIPTION	COLOR	PKG. TYPE	STD. PKG.	BAR-CODE
<b>LED Swivel Floodlight for Outdoor Use in Wet Locations</b>					
LL1200S	Weatherproof LED Floodlight 13W/1200 Lumen Warm White	Gray	Box	4	
LL1200W	Weatherproof LED Floodlight 13W/1200 Lumen Warm White	White	Box	4	
LL1200Z	Weatherproof LED Floodlight 13W/1200 Lumen Warm White	Bronze	Box	4	

**LED KIT WITH MOTION SENSOR SWITCH**
**APPLICATION**

- Use to light outdoor hard-to-see areas for added convenience

**PRODUCT FEATURES**

- Warm white LED flood lights (3000K) 2000 lumens 26W
- Die-cast aluminum heads and cover
- Multidirectional swivel joint for easy light adjustment
- 180° motion sensor with duration, sensitivity and photocell controls (See part number 5639-5 pg. D29)
- 2 additional 1/2" threaded openings with closure plug
- 120VAC
- Product Warranty: 5 years

**COMPLIANCES**

- cUL<sub>us</sub> – NEC and NEMA 3R


**5882-5**

**LED**  
COMMERCIAL GRADE


**5882-6**

80%  
Energy\*  
Savings


**5882-7**

CATALOG #	DESCRIPTION	COLOR	PKG. TYPE	STD. PKG.	BARCODE
<b>Round Cover, Light and Motion Sensor Kit</b>					
5882-5	Weatherproof LED Flood Light Kit with Motion Sensor	Gray	Box	4	
5882-6	Weatherproof LED Flood Light Kit with Motion Sensor	White	Box	4	
5882-7	Weatherproof LED Flood Light Kit with Motion Sensor	Bronze	Box	4	

SEE END OF SECTION (PG D44) FOR DETAILED DRAWINGS >>



**METAL BULLET LAMPHOLDER AND PORTABLE LAMPHOLDERS**



**5820-8**

CATALOG #	DESCRIPTION	COLOR	PKG. TYPE	STD. PKG.	BARCODE
<b>Bullet Lampholders - for 75-150 Watt Par 38 and R-40 Lamps</b>					
5820-8	Lampholder	Green	Boxed	2	IIIIIIII

**APPLICATION**

- For general outdoor lighting use
- Use with BELL® cluster covers and boxes

**PRODUCT FEATURES**

- Rugged die-cast
- Locking swivel knuckle
- Assure positive lamp positioning and provides pinpoint directional aiming
- Includes installation hardware and multilingual instructions

**COMPLIANCES**

- NEC® Compliant
- NEMA 3R rated

**PORTABLE LAMPHOLDERS**

**LED**



**SPLED2Z**

**LED**



**SPLED500Z**



**SL101B**



**5792-0**

**APPLICATION**

- For general outdoor lighting use in wet, damp or dry locations

**PRODUCT FEATURES**

- Rugged die-cast construction
- Durable powder coat finish provides maximum weatherability and scratch-resistance
- Locking swivel knuckle assures positive lamp positioning and provides pin-point directional aiming
- SPLED2Z – Long lasting energy efficient 6.5 Watts/350 Lumens
- SPLED500Z – Multidirectional swivel joint/long life: 50,000 hours - energy efficient 9 Watts/540 Lumens

**COMPLIANCES**

- – File E310318 (SL101B/SPLED500Z)
- NEC® Compliant
- NEMA 3R rated

CATALOG #	DESCRIPTION	COLOR	PKG. TYPE	STD. PKG.	BARCODE
<b>Portable Spike Lights</b>					
SPLED2Z	6.5 Watts Warm White LED 350 Lumens	Bronze	Box	4	IIIIIIII
SPLED500Z	9 Watts Warm White LED 540 Lumens	Bronze	Box	4	IIIIIIII
SL101B	Uses Par 38 Bulb (150W Maximum, Not Included)	Bronze	Clamshell	10	IIIIIIII
5792-0	Spike, 6 ft. cord & plug	Gray	Polybag	12	IIIIIIII

SEE END OF SECTION (PG D45) FOR DETAILED DRAWINGS >>

## DIE-CAST LAMPHOLDER COMBINATIONS

### APPLICATION

- For use with BELL® 1-Gang rectangular or round weatherproof boxes

### PRODUCT FEATURES

- Rugged metallic construction
- Durable powder coat finish provides maximum weatherability and scratch-resistance
- Each combination kit is a complete weatherproof installation – no need to purchase separate components
- Includes installation hardware, gasket and multilingual instructions

### COMPLIANCES

- – File E225082
- NEC® Compliant
- NEMA 3R Rated



5620-0



5621-0 to 5621-6



5624-1

5624-2

5624-0 to 5624-6



5625-0 to 5625-7

CATALOG #	DESCRIPTION	COLOR	PKG. TYPE	STD. PKG.	BARCODE
<b>Rectangular Cover – Combinations for 75-150 Watt Par 38 Lamps</b>					
5620-0	(1) Lampholder	Gray	Shrink	8	
5620-5	(1) Lampholder	Gray	Carded	4	
5621-0	(2) Lampholders	Gray	Shrink	8	
5621-5	(2) Lampholders	Gray	Carded	4	
5621-6	(2) Lampholders	White	Carded	4	
5621-7	(2) Lampholders	Bronze	Carded	4	
<b>4" Round Cover – Combinations for 75-150 Watt Par 38 Lamps</b>					
5624-0	(1) Lampholder	Gray	Shrink	8	
5624-1	(1) Lampholder	White	Shrink	8	
5624-2	(1) Lampholder	Bronze	Shrink	8	
5624-5	(1) Lampholder	Gray	Carded	4	
5624-6	(1) Lampholder	White	Carded	4	
5625-0	(2) Lampholders	Gray	Shrink	8	
5625-1	(2) Lampholders	White	Shrink	8	
5625-2	(2) Lampholders	Bronze	Shrink	8	
5625-5	(2) Lampholders	Gray	Carded	4	
5625-6	(2) Lampholders	White	Carded	4	
5625-7	(2) Lampholders	Bronze	Carded	4	





5883-5 to 5883-6



5818-5 to 5818-6



5841-5 to 5841-6



5829-5 to 5829-6



5876-5 to 5876-7

### APPLICATION

- For general lighting use in wet, damp or dry locations

### PRODUCT FEATURES

- Each kit is a complete weatherproof installation - no need to purchase separate components
- Each kit includes easy-to-follow multilingual instructions
- All kit components are described in the preceding pages

### COMPLIANCES

- (UL)
- NEC® Compliant
- NEMA 3R Rated

CATALOG #	DESCRIPTION	COLOR	PKG. TYPE	STD. PKG.	BARCODE
<b>Rectangular Light Kits for 75-150 Watt Par 38 Lamps</b>					
5883-5	Box, cover, photocell & (2) lampholders	Gray	Boxed	4	
5883-6	Box, cover, photocell & (2) lampholders	White	Boxed	4	
5818-5	Box, cover & (2) lampholders	Gray	Boxed	4	
5818-6	Box, cover & (2) lampholders	White	Boxed	4	
<b>4" Round Light Kits for 75-150 Watt Par 38 Lamps</b>					
5829-5	Box, cover & (2) lampholders	Gray	Boxed	4	
5829-6	Box, cover & (2) lampholders	White	Boxed	4	
5841-5	Box, cover, photocell & (2) lampholders	Gray	Boxed	4	
5841-6	Box, cover, photocell & (2) lampholders	White	Boxed	4	
5876-5	Box, cover & (2) architectural lampholders	Gray	Boxed	4	
5876-6	Box, cover & (2) architectural lampholders	White	Boxed	4	
5876-7	Box, cover & (2) architectural lampholders	Bronze	Boxed	4	

**METALLIC GARDEN LIGHTS**
**APPLICATION**

- For accent lighting along walkways, driveways, terraces, porches and garden areas

**PRODUCT FEATURES**

- Rugged die-cast construction
- Durable powder coat finish provides maximum weatherability and scratch-resistance
- Includes screw-in clear glass globe, wire connectors, gasket, and multilingual instructions
- Three-tier lights accept 40W maximum lamps
- Four-tier lights accept 60W maximum lamps

**COMPLIANCE**

- cUL US


**5884-8**

**5893-8**

**5694-0**

**5695-0**

CATALOG #	DESCRIPTION	COLOR	PKG. TYPE	STD. PKG.	BARCODE
<b>Incandescent Type Threaded 1/2" Npt - 18" Leads</b>					
5884-8	3-Tier	Green	Box	2	
5893-8	4-Tier	Green	Box	2	
<b>Replacement Globes for Garden</b>					
5694-0	For 3-tier	Clear	Carton	4	
5695-0	For 4-tier	Clear	Carton	4	

SEE END OF SECTION (PG D46) FOR DETAILED DRAWINGS &gt;&gt;

**MOTION SENSOR SWITCH**

**5639-5**

**5639-6**

**5639-7**

CATALOG #	DESCRIPTION	OUTER CTN. QTY.	STD. PKG.	BARCODE
<b>Motion Sensor Switch</b>				
5639-5	Weatherproof motion sensor switch, Gray	10	1	
5639-6	Weatherproof motion sensor switch, White	10	1	
5639-7	Weatherproof motion sensor switch, Bronze	10	1	

**APPLICATION**

- For use whenever outdoor motion detection is needed in unlit areas

**PRODUCT FEATURES**

- Swivel joint for easy aiming
- 180° motion sensor with duration, sensitivity and photocell controls
- Standard 1/2" threaded mount
- 120VAC

**COMPLIANCES**

- – NEC & NEMA 3R

**PHOTOCELL**

**5638-5**

**PE100**

CATALOG #	DESCRIPTION	COLOR	PKG. TYPE	STD. PKG.	BARCODE
<b>Photoelectric Eye Switch</b>					
5638-5	Swivel Switch, locknut 2000W Tungsten 1800VA Ballast 120V 50-60HZ	Gray	Carded	6	
PE100	Outdoor Photoelectric Switch Rated 1000 Watts, Fits 1/2" Hole	Black	Poly Bag	10	

**APPLICATION**

- Use for darkness activated automatic control of night lighting from dusk to dawn
- Control porch lights, garden lights, post lanterns, barn lights, loading dock lights, outdoor signs etc.

**PRODUCT FEATURES**

- Durable weatherproof construction
- Built-in time delay prevents operation triggered by auto headlamps or other temporary light flashes

**METAL CLOSURE PLUGS**

**5269-0 to 5269-10, 5270-0 to 5270-9, 5271-0**

CATALOG #	DESCRIPTION	COLOR	PKG. TYPE	STD. PKG.	BARCODE
<b>Closure Plugs</b>					
5269-0	1/2" NPT	Gray	75 Polybags of 4	75 bags*	
5269-1	1/2" NPT	White	75 Polybags of 4	75 bags*	
5269-2	1/2" NPT	Bronze	75 Polybags of 4	75 bags*	
5269-5	1/2" NPT	Gray	12 Cards of 3	12 cards**	
5269-6	1/2" NPT	White	12 Cards of 3	12 cards**	
5269-7	1/2" NPT	Bronze	12 Cards of 3	12 cards**	
5269-9	1/2" NPT	Gray	Bulk	1000	–
5269-10	1/2" NPT	Bronze	Bulk	4500	–
5270-0	3/4" NPT	Gray	75 Polybags of 4	75 bags*	
5270-1	3/4" NPT	White	75 Polybags of 4	75 bags*	
5270-5	3/4" NPT	Gray	12 Cards of 3	12 cards**	
5270-9	3/4" NPT	Gray	Bulk	1000	–
5271-0	1" NPT	Gray	75 Polybags of 4	75 bags*	

**APPLICATION**

- For use with BELL® weatherproof boxes, extension adapters, cluster covers and round splice boxes to seal off unused outlets

**PRODUCT FEATURES**

- Gray closure plugs are die-cast zinc
- White and bronze closure plugs are nonmetallic

**COMPLIANCE**

- – File E195973

\*Order in standard package bag quantities only – not per piece  
 \*\*Order in standard package card quantities only – not per piece

**ACCESSORIES**
**BOX MOUNTING LUGS**

CATALOG #	DESCRIPTION	COLOR	PKG. TYPE	STD. PKG.	BAR CODE
<b>Box Mounting Lugs &amp; Screws</b>					
5302-0	-	-	100 Polybags of 2	100	


**5302-0**
**ROUND CLOSURE PLATES**
**APPLICATION**

- Use in dry locations for closure of unused ceiling outlets

**PRODUCT FEATURES**

- Rugged metallic construction
- Durable powder coat paint finish provides a scratch-resistant surface

**COMPLIANCE**

- – File E195978


**5652-1**

**5653-1**

**5654-1**

CATALOG #	DESCRIPTION	COLOR	PKG. TYPE	STD. PKG.	BAR CODE
<b>5" Round Closure Plates – Steel</b>					
5652-1	Screw & universal mount strap	Off White	Shrink	10	
5653-1	(2) 8 - 32 screws, direct mount to fixture outlet box	Off White	Shrink	10	
5654-1	Fixture stud & universal mount strap	Off White	Shrink	10	

**REPLACEMENT GASKETS**
**APPLICATION**

- Replacement gaskets for BELL® weatherproof covers and lampholders

**PRODUCT FEATURES**

- Each gasket has cut outs for a toggle switch, duplex (5020-0 only) receptacle and 1.406" dia. round receptacle
- Remove cut outs for the duplex (5020-0 only) and round receptacles for a GFCI receptacle opening


**5019-0**

**5017-0**

**5020-0**

CATALOG #	DESCRIPTION	COLOR	PKG. TYPE	STD. PKG.	BARCODE
<b>Rectangular Box/Cover Gaskets</b>					
5019-0	1-Gang	Black	20 Cello bags of 2	20	
5017-0	1-Gang cover gasket, 4 Lampholder gaskets, 1 Round cover gasket	Black	20 Cello bags	20	
5020-0	2-Gang	Black	20 Cello bags of 2	20	

SEE END OF SECTION (PG D46) FOR DETAILED DRAWINGS &gt;&gt;

**NONMETALLIC CEILING FAN/LUMINAIRE BOXES**

**OUTDOOR CEILING FAN & LUMINAIRE BOXES**



**APPLICATIONS**

- Provides a safe and secure mounting and weatherproof wiring junction for outdoor fans, chandeliers or pendant lights
- Designed to enhance outdoor living spaces with the same convenience and comfort as indoors
- Perfect for porches, covered patios, pergolas

**PRODUCT FEATURES**

- Support fans up to **70lbs** or heavy luminaires up to **150lbs**
- Constructed of heavy duty PVC with integrated galvanized steel support bracket
- Five 3/4" threaded entries for conduit or fittings with four closure plugs
- Includes three reducer bushings (3/4" to 1/2")
- Box mounts parallel, perpendicular or 45° from a joist

**COMPLIANCES**

- Listed
- NEC and NEMA 3R Compliant



**Safe & Secure**  
with a properly rated box!



**PRCF57550GY**



**PRCF57550WH**



**PRCF57550BZ**



CATALOG #	DESCRIPTION	CU. IN. CAPACITY (when used w/collar)	THREADED ENTRIES	RECOMMENDED MAX. LOADS		STD. PKG.	BARCODE
				CEILING FAN (DYNAMIC) LBS.	FIXTURE (STATIC) LBS.		
<b>4" Nonmetallic Outdoor Round Box, 1-1/2" Deep - Heavy Duty PVC w/Integrated Galvanized Steel Support Bracket</b>							
PRCF57550GY	Ceiling Fan Luminaire Box, Gray	16.0"	(5) 3/4" or 1/2"	70	150	4	
PRCF57550WH	Ceiling Fan Luminaire Box, White	16.0"	(5) 3/4" or 1/2"	70	150	4	
PRCF57550BZ	Ceiling Fan Luminaire Box, Bronze	16.0"	(5) 3/4" or 1/2"	70	150	4	

SEE END OF SECTION (PG D47) FOR DETAILED DRAWINGS >>



**NONMETALLIC BOXES**
**OUTLET BOXES**
**APPLICATION**

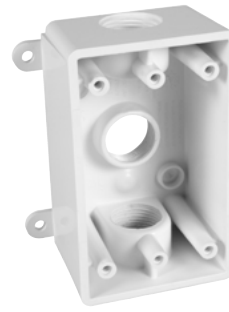
- For general use whenever weatherproof protection is required

**PRODUCT FEATURES**

- Durable high impact PVC construction
- Can be used for 1/2" and 3/4" conduit
- Includes 3/4" closure plugs and reducer bushings

**COMPLIANCES**

- US LISTED UL Marine Listed
- Meets NEC® 406.9 (A) Requirements
- NEMA 3R Rated


**PSB37550GY**

**PSB37550WH**

**PDB77550GY**

**PDB77550WH**

**PRB57550GY**

**PRB57550WH**


CATALOG #	DESCRIPTION	CU. IN. (CM <sup>3</sup> )	COLOR	PKG. TYPE	STD. PKG.	BARCODE
<b>1-Gang Outlet Boxes, Three Threaded Outlets</b>						
PSB37550GY	Three 1/2" or 3/4" Holes 2.0" Depth	16.5 (270.4)	Gray	Shrink	8	
PSB37550WH	Three 1/2" or 3/4" Holes 2.0" Depth	16.5 (270.4)	White	Shrink	5	
<b>2-Gang Outlet Boxes, Seven Threaded Outlets</b>						
PDB77550GY	Seven 1/2" or 3/4" Holes 2.0" Depth	26.5 (434.3)	Gray	Shrink	6	
PDB77550WH	Seven 1/2" or 3/4" Holes 2.0" Depth	26.5 (434.3)	White	Shrink	6	
<b>Round Outlet Box, Five Threaded Outlets</b>						
PRB57550GY	Five 1/2" / 3/4" Holes 1.5" Depth	13.5 (221.2)	Gray	Shrink	8	
PRB57550WH	Five 1/2" / 3/4" Holes 1.5" Depth	13.5 (221.2)	White	Shrink	8	

SEE END OF SECTION (PG D44-D47) FOR DETAILED DRAWINGS &gt;&gt;

### BLANK COVERS



PBC100GY PBC100WH PBC200GY PBC200WH



PBC300GY PBC300WH

#### APPLICATION

- For general use whenever weatherproof protection is required

#### PRODUCT FEATURES

- Durable high impact polycarbonate construction
- Includes attached gasket and mounting hardware

#### COMPLIANCES

- cUL<sup>us</sup>
- NEC<sup>®</sup> Compliant
- NEMA 3R Rated

CATALOG #	DESCRIPTION	COLOR	PKG. TYPE	STD. PKG.	BARCODE
<b>Blank Covers</b>					
PBC100GY	Blank	Gray	Shrink	12	
PBC100WH	Blank	White	Shrink	12	
PBC200GY	Blank 2-Gang	Gray	Shrink	10	
PBC200WH	Blank 2-Gang	White	Shrink	10	
PBC300GY	Blank Round	Gray	Shrink	10	
PBC300WH	Blank Round	White	<b>Shrink</b>	10	

### TOGGLE / DEVICE COVERS

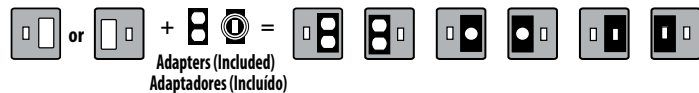
*Horseshoe Adapter Ensures a Snug Fit for Small and Large Head Switches*



PTC100GY PTC100WH PTC200GY PTC521GY PTC521WH

**8<sup>in</sup>1**

CONFIGURATIONS



CATALOG #	DESCRIPTION	COLOR	PKG. TYPE	STD. PKG.	BARCODE
<b>1-Gang Device Covers</b>					
PTC100GY	Toggle	Gray	Shrink	5	
PTC100WH	Toggle	White	Shrink	3	
<b>2-Gang Device Covers</b>					
PTC200GY	Toggle/Toggle	Gray	Shrink	3	
PTC521GY	Toggle/GFCI	Gray	Shrink	3	
PTC521WH	Toggle/GFCI	White	Shrink	4	

SEE END OF SECTION (PG D47-D48) FOR DETAILED DRAWINGS >>

## NONMETALLIC LIGHTING

### LAMPHOLDERS

#### APPLICATION

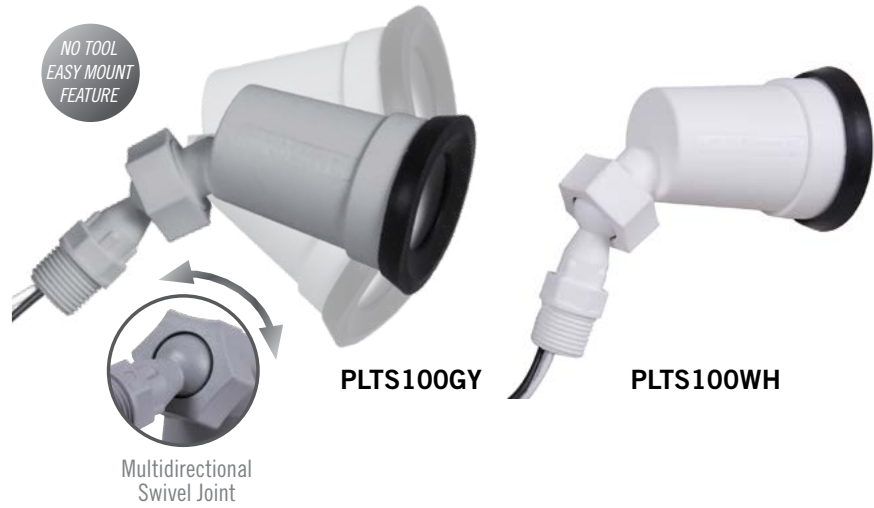
- For general outdoor lighting use in wet, damp or dry locations

#### PRODUCT FEATURES

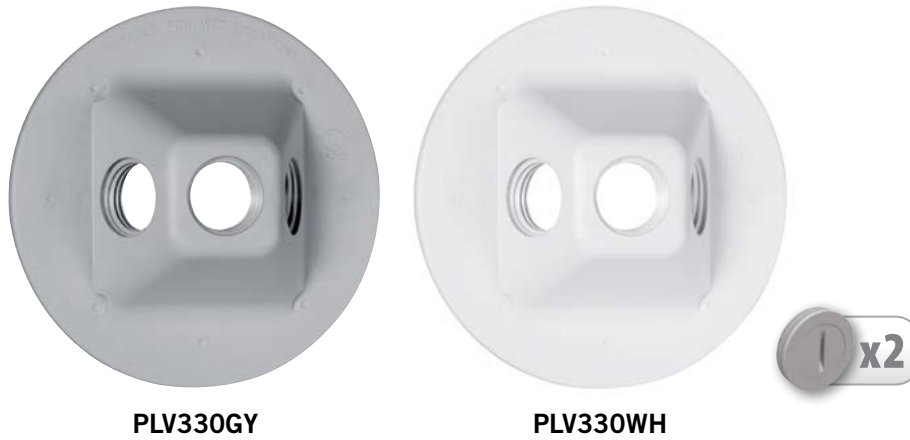
- Durable high impact PBT construction
- Includes attached gasket and mounting hardware

#### COMPLIANCES

- cUL<sup>us</sup>
- NEC<sup>®</sup> Compliant
- NEMA 3R Rated



### LAMPHOLDER COVERS



CATALOG #	DESCRIPTION	COLOR	PKG. TYPE	STD. PKG.	BARCODE
<b>Lampholders</b>					
PLTS100GY	Swivel Lampholder	Gray	Shrink	12	
PLTS100WH	Swivel Lampholder	White	Shrink	12	
<b>Lampholder Covers</b>					
PLV330GY	Three 1/2" Holes	Gray	Shrink	8	
PLV330WH	Three 1/2" Holes	White	Shrink	8	

SEE END OF SECTION (PG D49) FOR DETAILED DRAWINGS >>

**NONMETALLIC CLOSURE PLUGS**

**PCP47550GY**

**PCP47550WH**

CATALOG #	DESCRIPTION	COLOR	PKG. TYPE	STD. PKG.	BAR CODE
<b>Closure Plug Assortment (Pack of 4)</b>					
PCP47550GY	Two 1/2", Two 3/4"	Gray	Poly Bag	30	
PCP47550WH	Two 1/2", Two 3/4"	White	Poly Bag	30	


**HB75W**

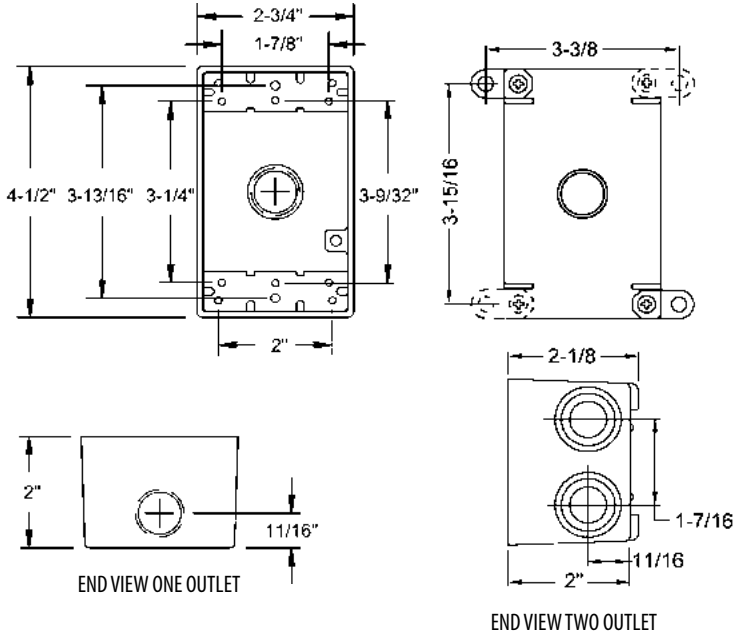
**GK240**

CATALOG #	DESCRIPTION	COLOR	PKG. TYPE	STD. PKG.	BAR CODE
<b>Gaskets</b>					
GK240	Bag of 2 Lampholder Gaskets	Black	Poly Bag	15	
<b>Halogen Replacement Bulbs</b>					
HB75W	75W Halogen Bulb (GY 8.6 Type 4)	Clear	Poly Bag	100	

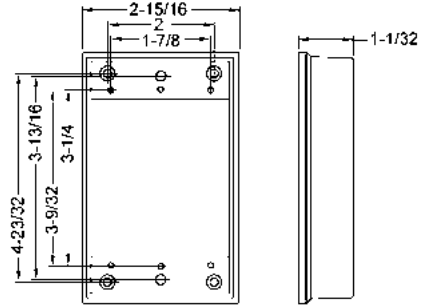
**DETAILED DRAWINGS**

**DIE-CAST ALUMINUM BOXES AND EXTENSION RINGS**

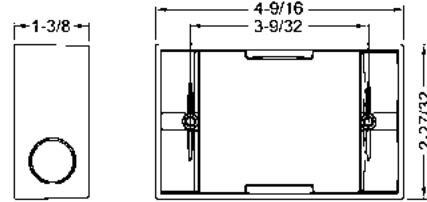
**1-GANG BOXES (General Dimensions)**



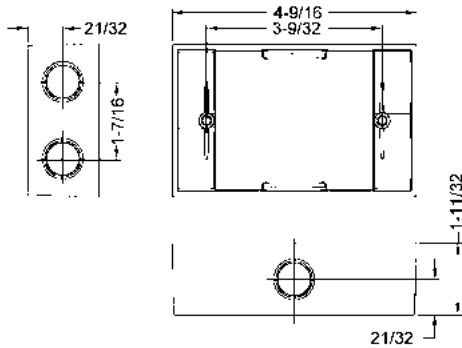
**EXTENSIONS: 5406-0**



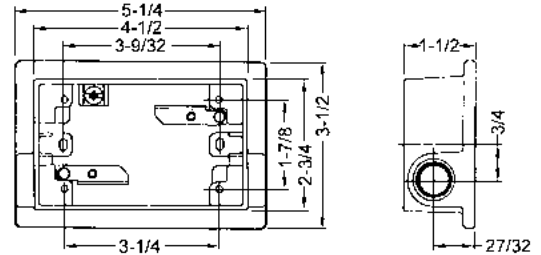
**EXTENSIONS: 5399-0, 5403-0**



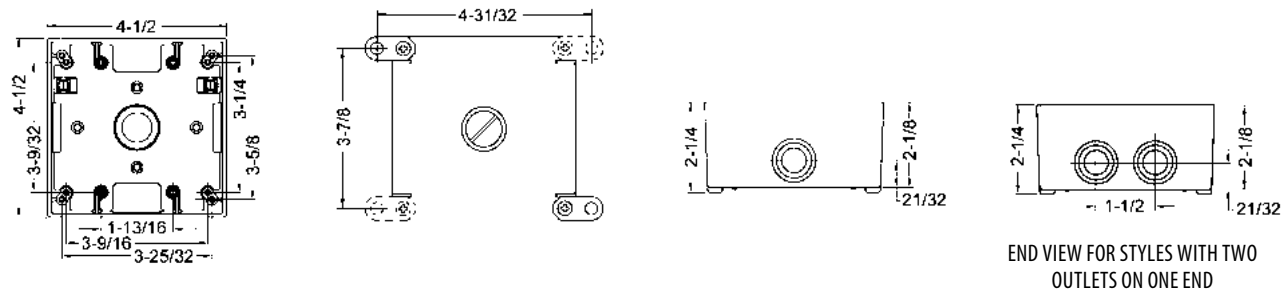
**EXTENSIONS: 5400-0 SERIES**



**SWING ARM EXTENSION ADAPTERS: 5412-0 TO 5415-0**

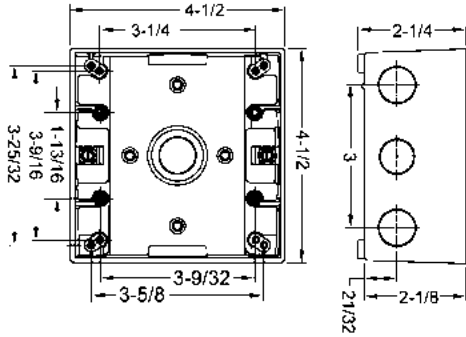


**2-GANG BOXES (General Dimensions)**

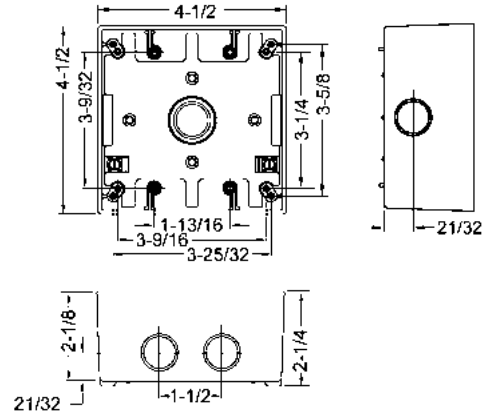




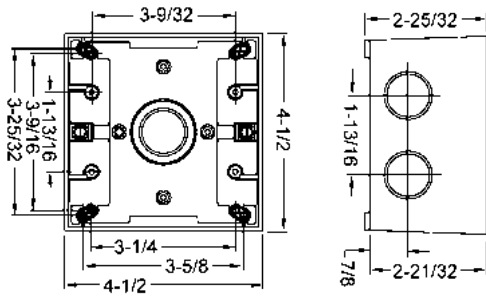
**2-GANG BOXES WITH 7 OUTLETS**  
**CAT. NOS. 5340-0, 5348-0**



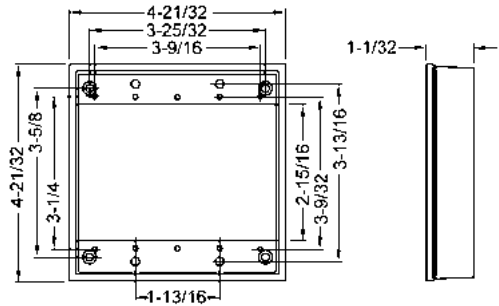
**CAT. NOS. 5338-0, 5346-0**



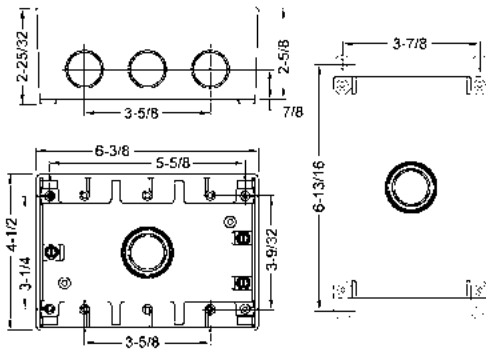
**2-GANG BOXES WITH 5 OUTLETS**  
**CAT. NOS. 5388-0, 5389-0**



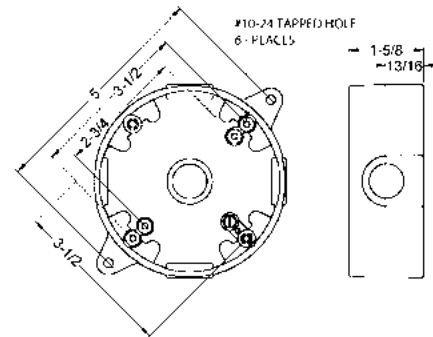
**2-GANG EXTENSION**



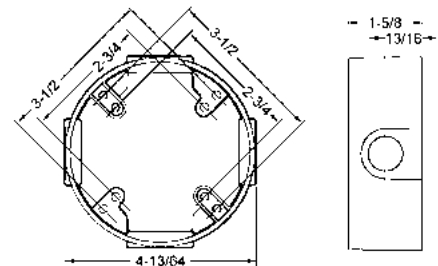
**3-GANG BOX**



**4" ROUND SPLICE BOXES**



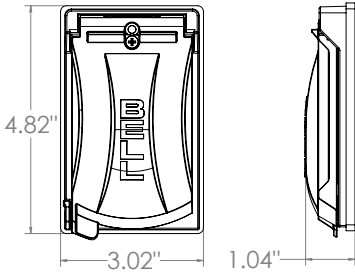
**4" ROUND EXTENSION ADAPTERS**



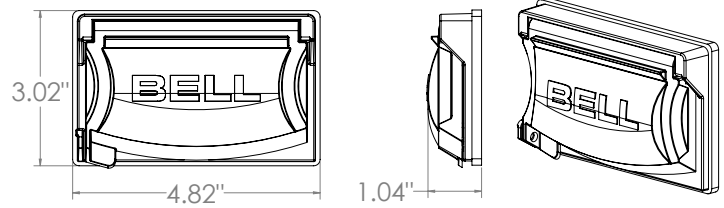
**DETAILED DRAWINGS**

**METALLIC 1-GANG DEVICE COVERS**

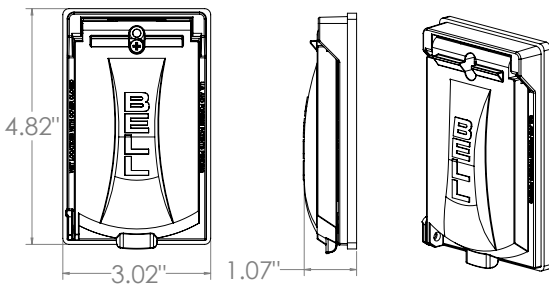
**MX1050**



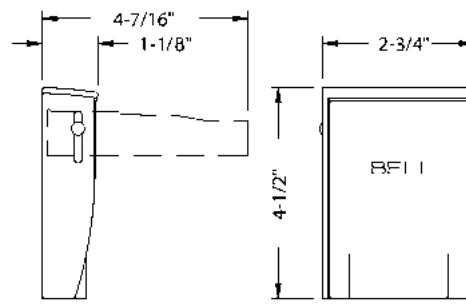
**MX1250**



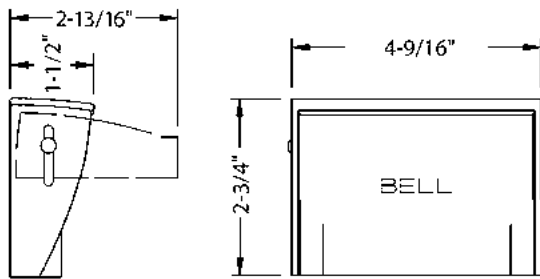
**MX1550**



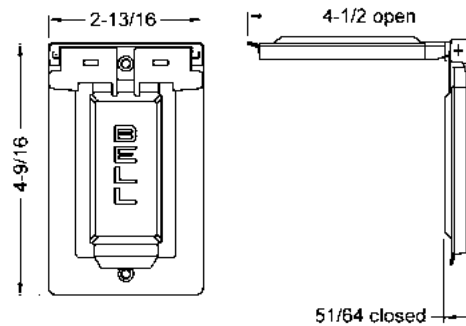
**RAYNTITE® 1-GANG DEVICE COVERS – VERTICAL**



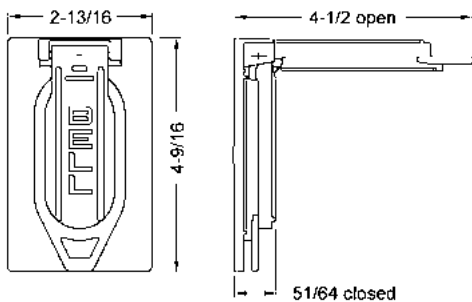
**RAYNTITE® 1-GANG DEVICE COVERS – HORIZONTAL**



**GFCI STYLE COVERS**

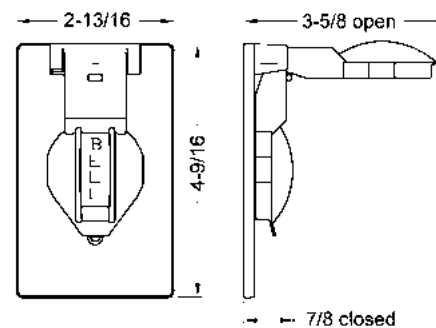


**DUPLEX STYLE COVER**

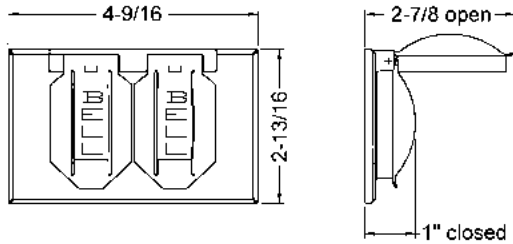


**SINGLE RECEPTACLE STYLE COVERS**

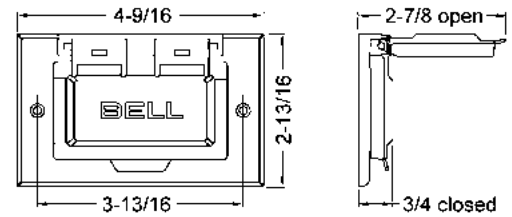
Note: device-mount and box-mount cover dimensions are the same



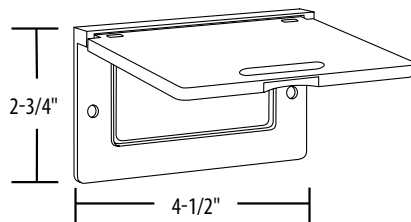
**CAT. NOS. 5180-0 SERIES**



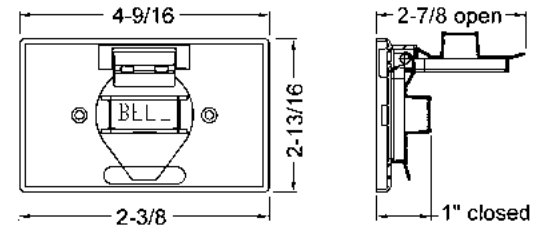
**CAT. NO. 5101-0 series**



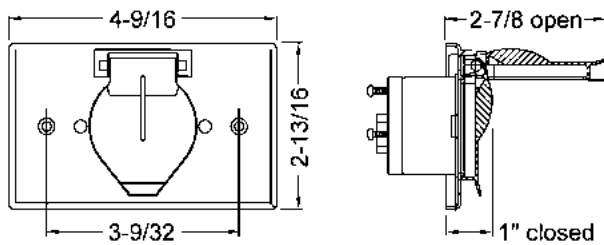
**CAT. NO. 5102-0**



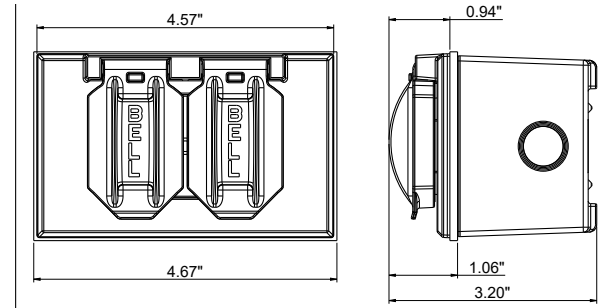
**CAT. NO. 5152-0**



**CAT. NO. 5153-0**

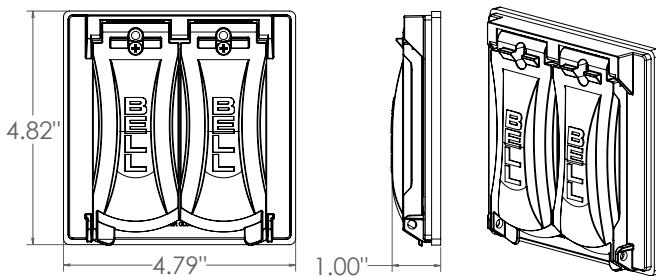


**CAT. NO. 5712-5WRTR**

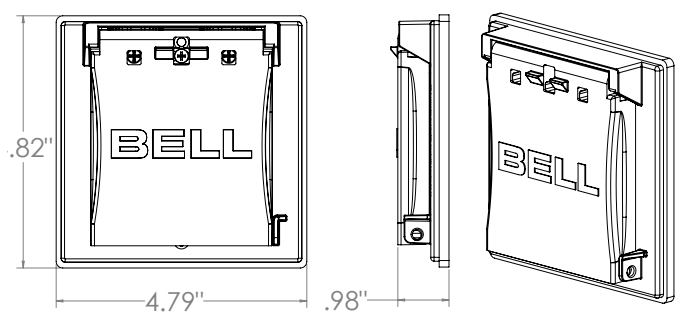


**METALLIC 2-GANG DEVICE COVERS**

**MX2050**



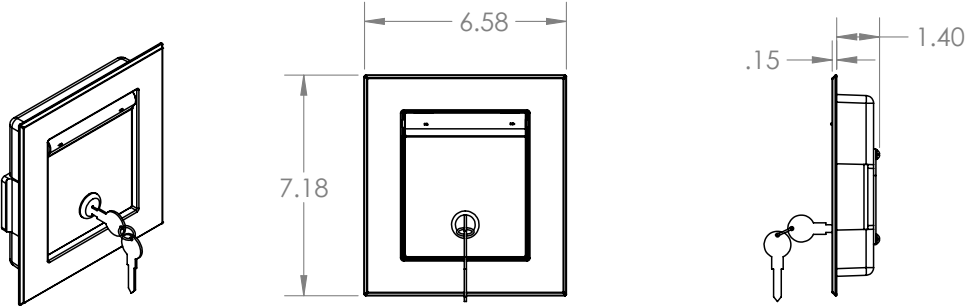
**MX2150**



**DETAILED DRAWINGS**

**METALLIC 1-GANG LOCKING COVER**

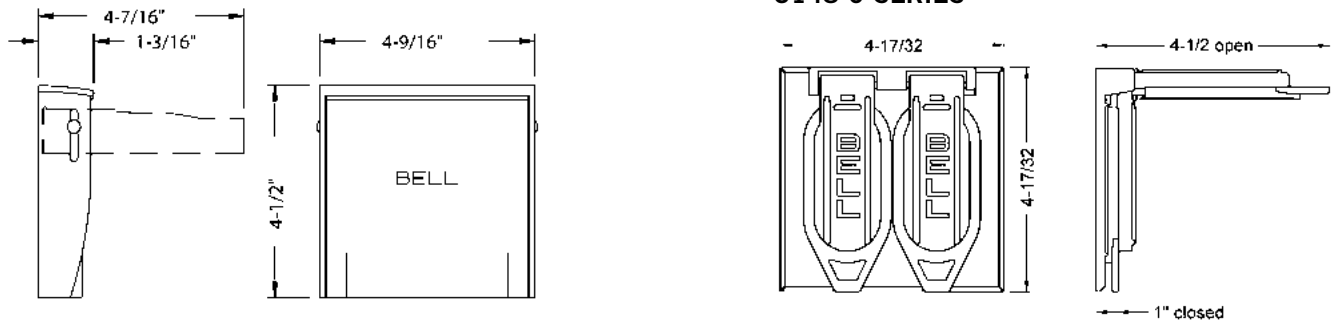
**4600RAC**



**METALLIC 2-GANG DEVICE COVERS**

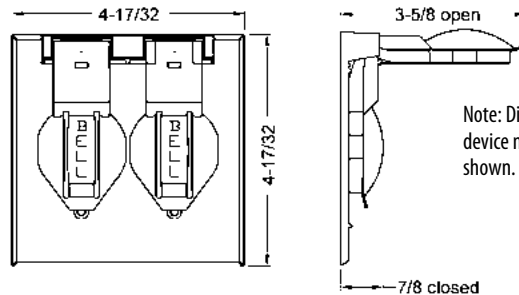
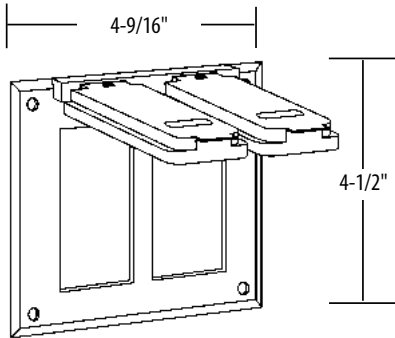
**RAYNTITE®**

**2-GANG DEVICE COVERS  
5148-0 SERIES**



**5145-0**

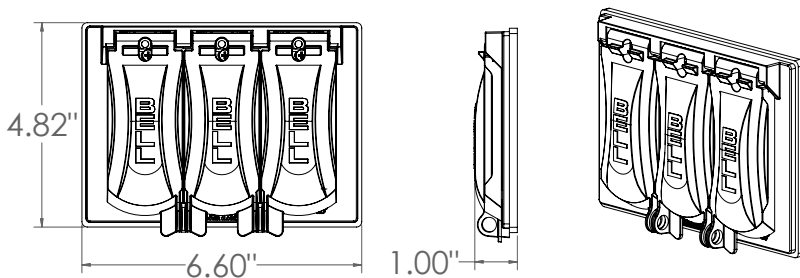
**5157-0**



Note: Dimensions are the same for device mount and box mount styles shown. 5157-0 SERIES, 5092-0

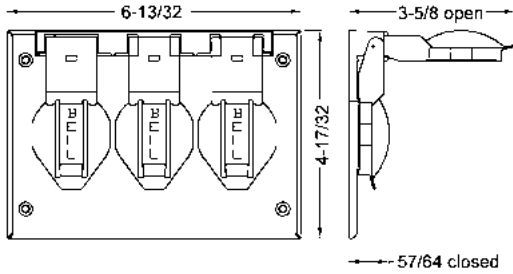
**METAL 3-GANG DEVICE COVERS**

**MX3050**



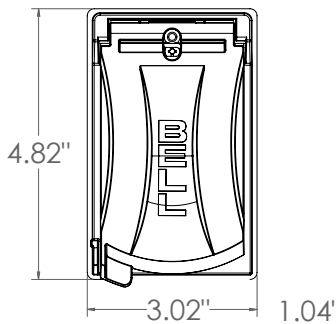
**BOX MOUNT FLIP COVER**

**5093-0**

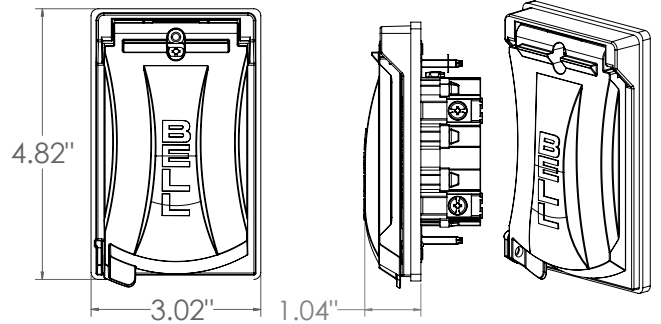


**FLIP COVER COMBOS AND KITS**

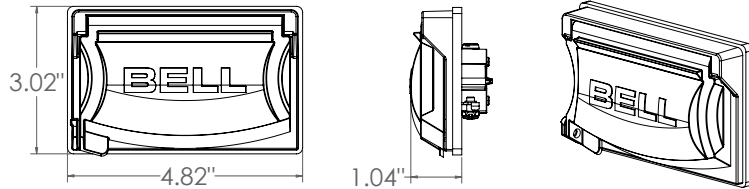
**MD1050S**



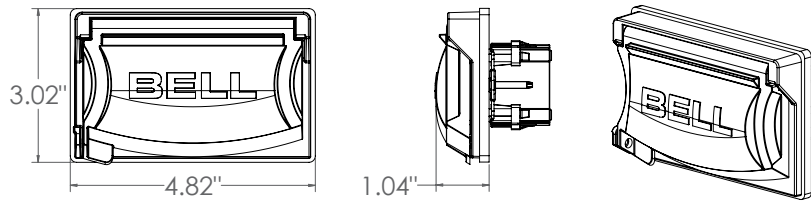
**MG1050S**



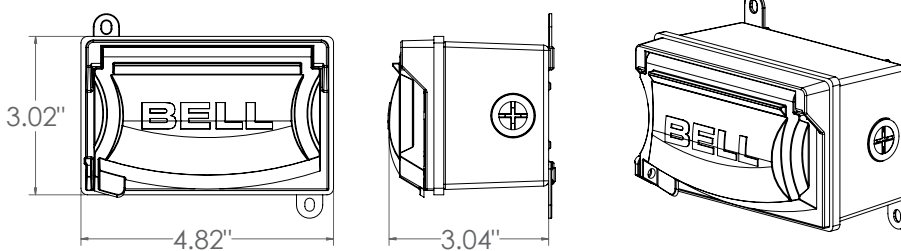
**MD1250S**



**MG1250S**



**MK1250, 5874-5, 5874-6**

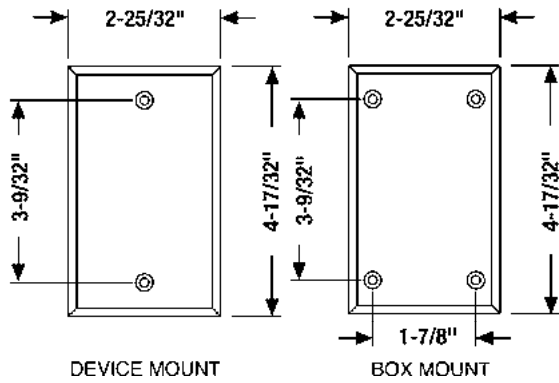




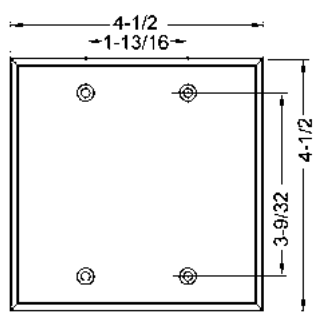
**DETAILED DRAWINGS**

**METAL COVERS**

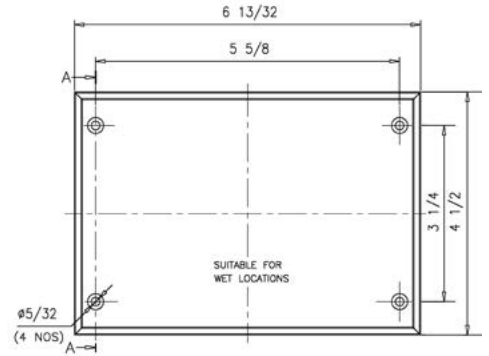
**1-GANG BLANK COVERS**



**2-GANG**

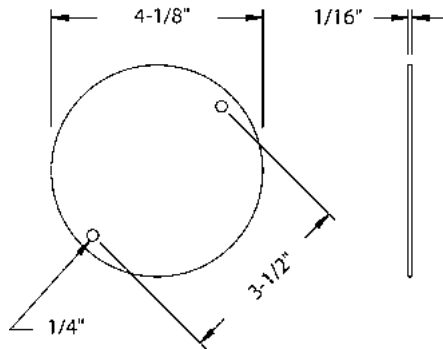


**3-GANG**



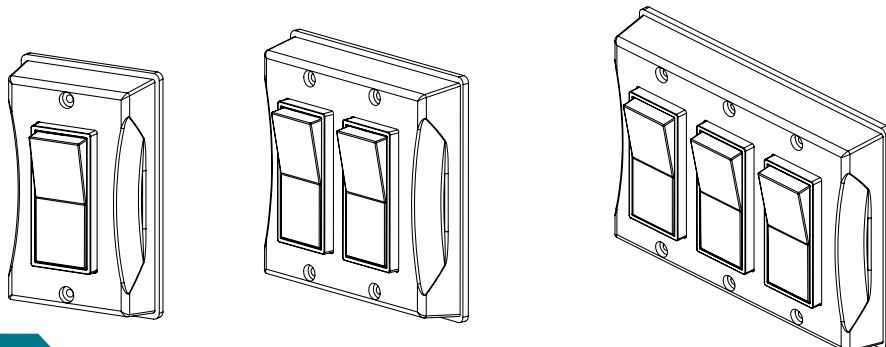
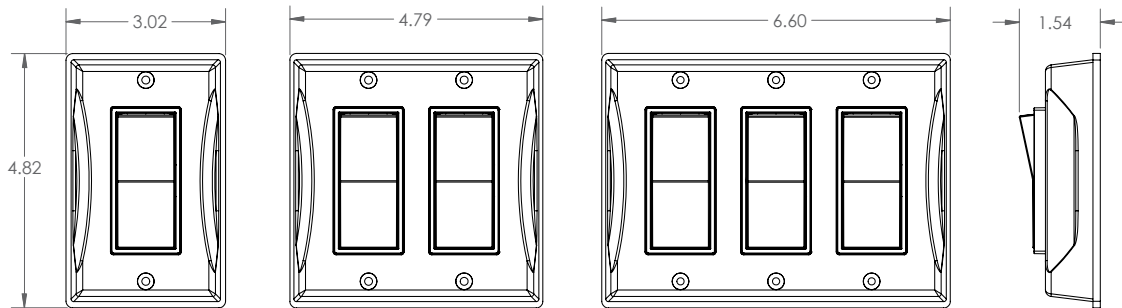
**METALLIC ROUND BOX COVER**

**4" ROUND COVER**



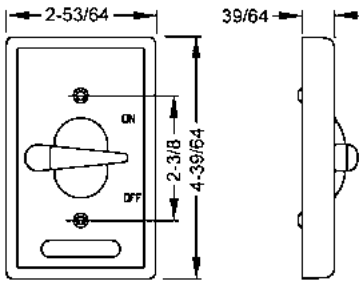
**METAL ROCKER SWITCH COVERS**

**DECORATOR COVER SERIES**

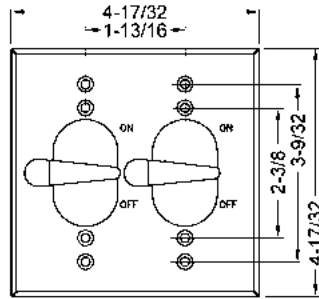


**METALLIC TOGGLE SWITCH COVERS**

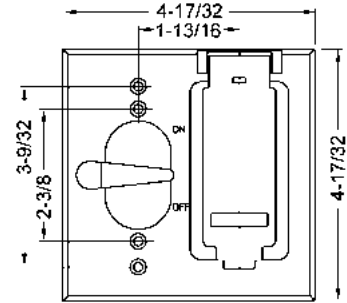
**1-GANG**  
5121 SERIES, 5141 SERIES  
CAT. NOS. 5128-0, 5137-0



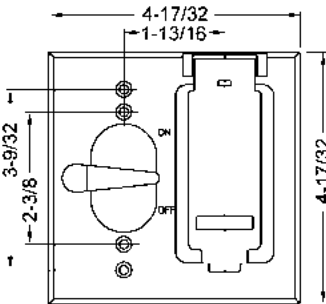
**2-GANG**  
CAT. NO. 5124-0, 5125 SERIES



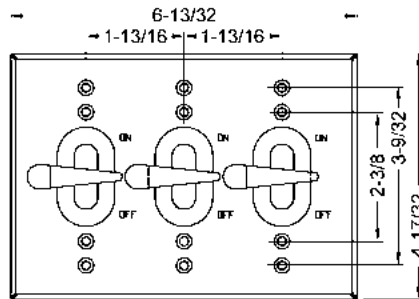
**2-GANG 5167 SERIES**



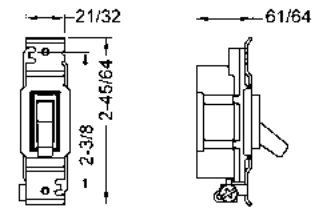
**2-GANG 5166 SERIES**



**3-GANG**  
CATALOG NO. 5126-0

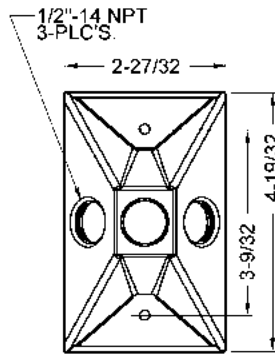
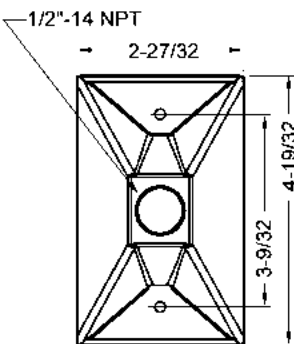


**TOGGLE SWITCH**  
CATALOG NOS. 5201-0

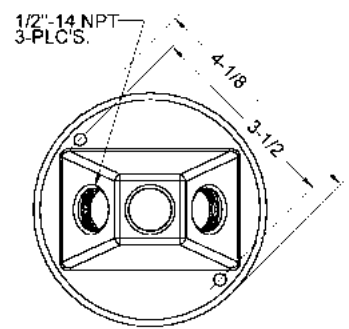
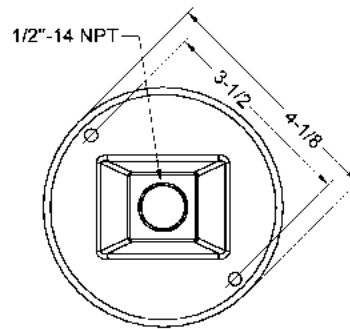


**METALLIC LAMPHOLDER COVERS**

**RECTANGULAR CLUSTER COVERS**  
5186 SERIES, 5189 SERIES



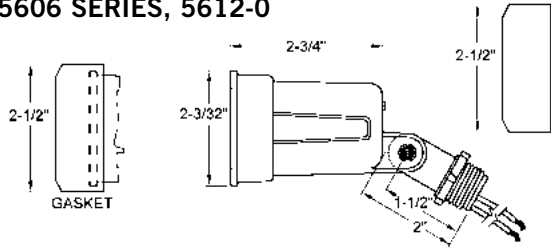
**ROUND CLUSTER COVERS**  
5193 SERIES, 5197 SERIES



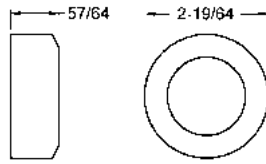
**DETAILED DRAWINGS**

**METALLIC LAMPHOLDERS AND LIGHTING**

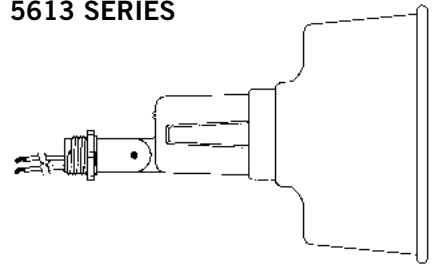
**LAMPHOLDERS  
5606 SERIES, 5612-0**



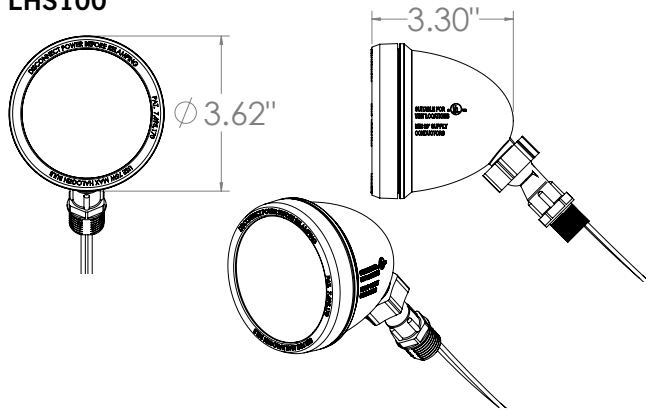
**CATALOG NO. 5611-0**



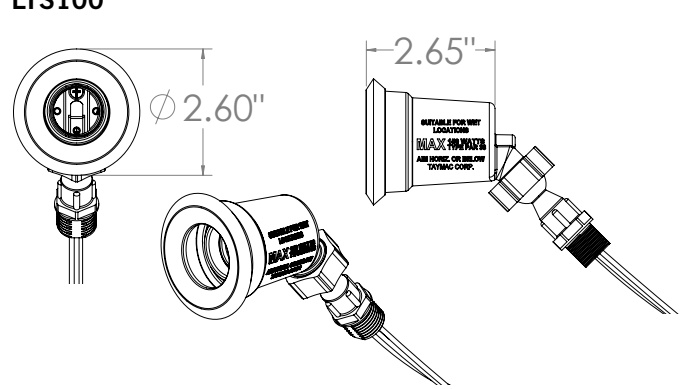
**5613 SERIES**



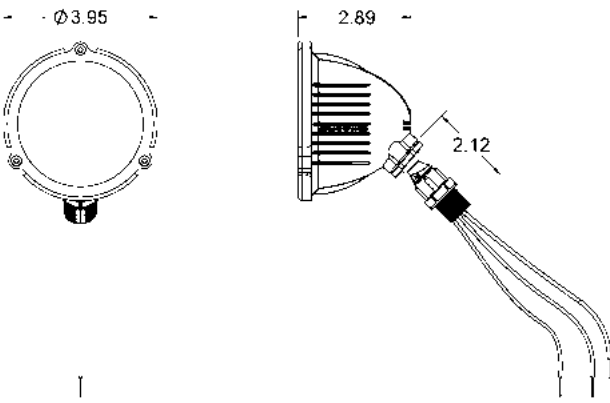
**LHS100**



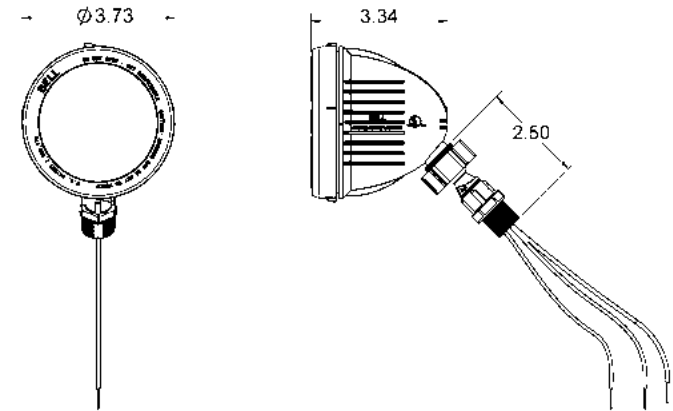
**LTS100**



**LL800**

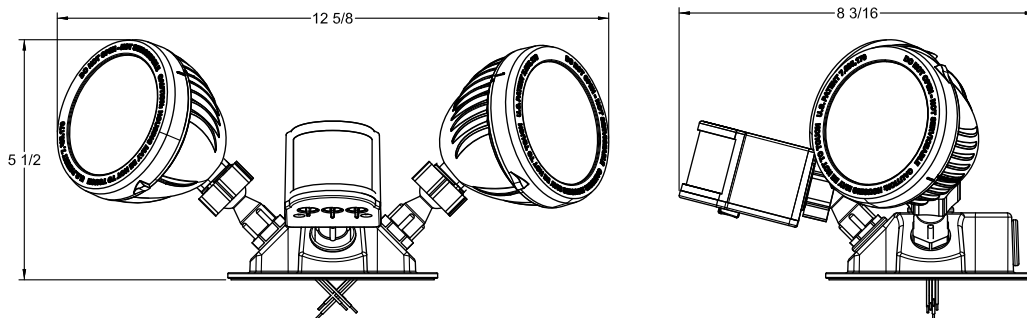


**LL1200**



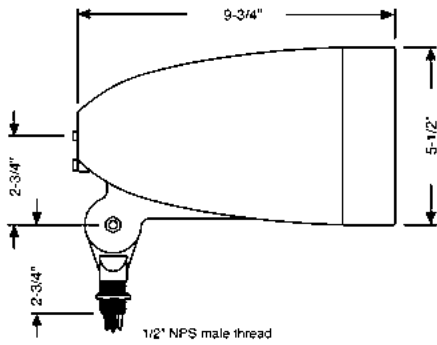
**LED KIT WITH MOTION SENSOR SWITCH**

**5882**

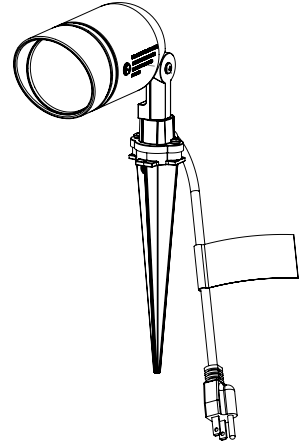
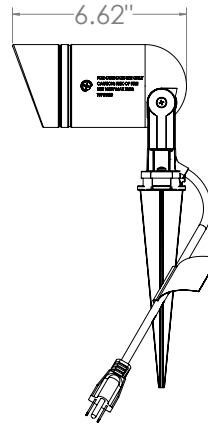
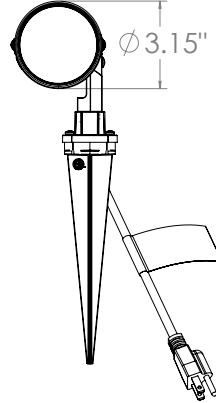


**METALLIC PORTABLE LAMP HOLDERS**

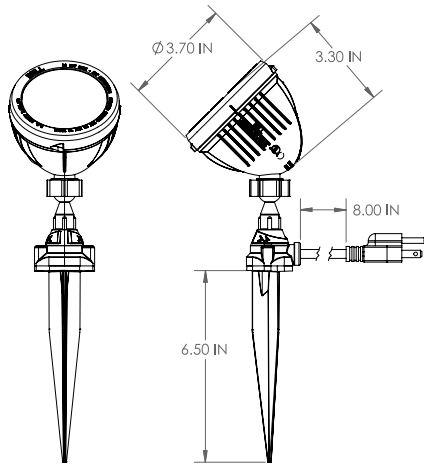
**BULLET LAMP HOLDER ASSEMBLY 5820-8**



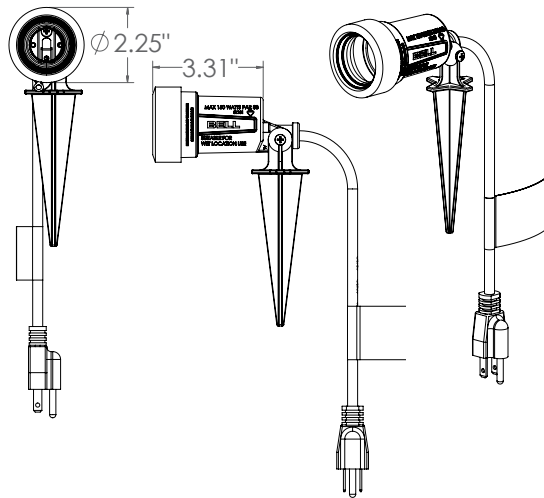
**SPLED2Z**



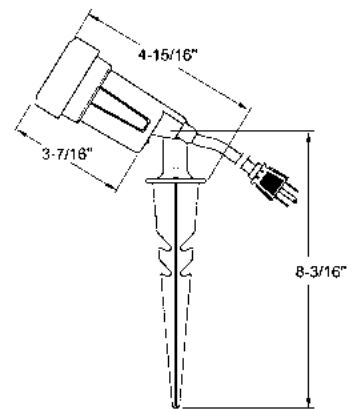
**SPLED500Z**



**SL101B**

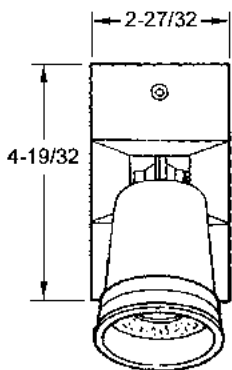


**PORTABLE LAMP HOLDER ASSEMBLY 5792-0**

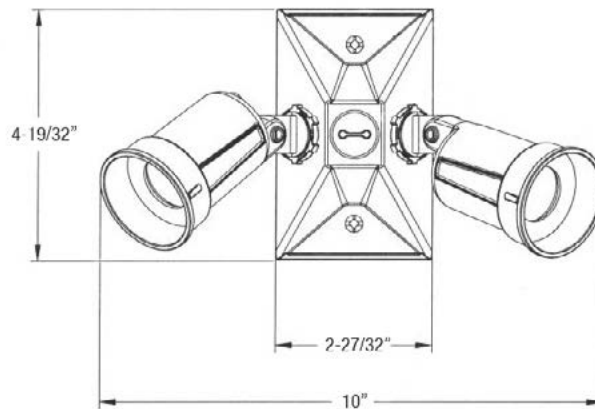


**METALLIC LAMP HOLDER COMBINATIONS AND GARDEN LIGHT**

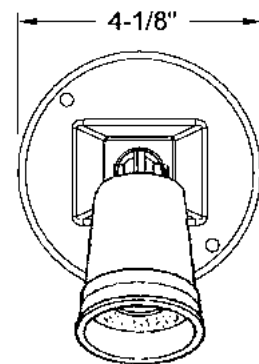
**5620 SERIES**



**5621 SERIES**

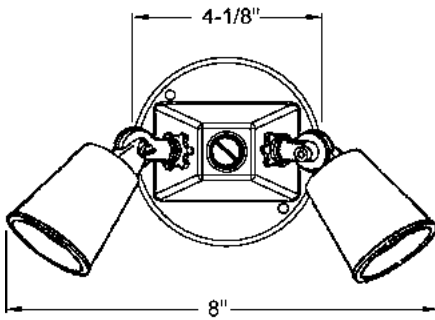


**5624 SERIES**

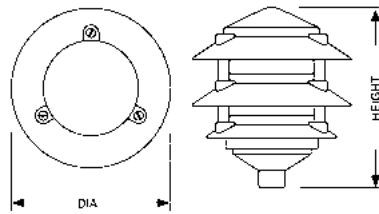


## DETAILED DRAWINGS

### 5625 SERIES

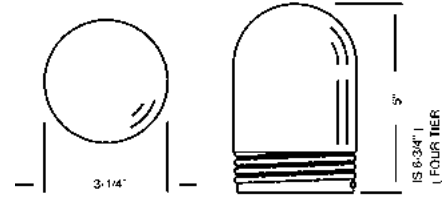


### 5884-8, 5893-8



CATALOG #	DIA.	HEIGHT
5884-8	6"	7"
5893-8	6"	8-3/4"

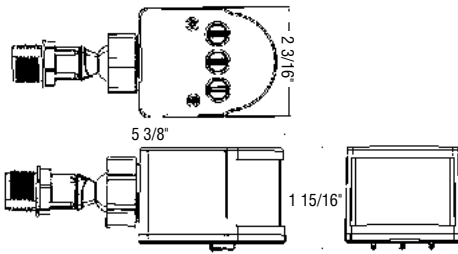
### REPLACEMENT GLOBE: 5694-0, 5695-0



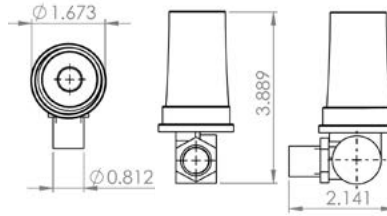
CATALOG #	DIA.	HEIGHT
5694-0	3-1/4"	5"
5695-0	3-1/4"	6-3/4"

## ACCESSORIES

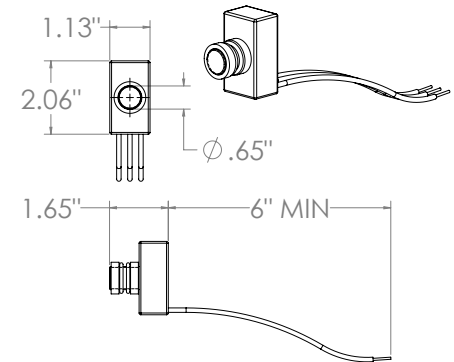
### MOTION SENSOR SWITCH 5639 SERIES



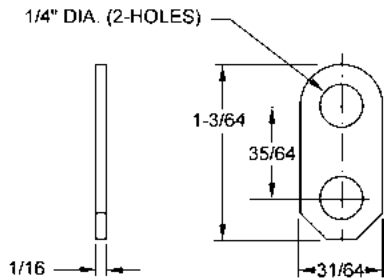
### PHOTOSCELL 5638



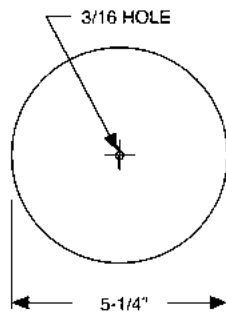
### PE100



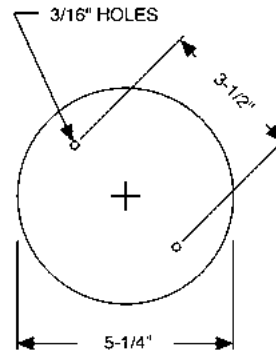
### BOX MOUNTING LUG CATALOG NO. 5302-0



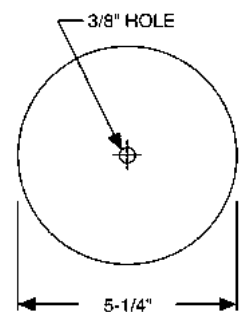
### ROUND CLOSURE PLATES CATALOG NO. 5652-1



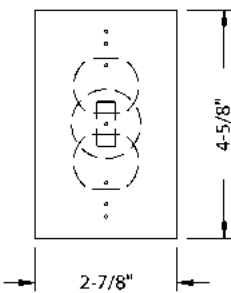
### CATALOG NO. 5653-1



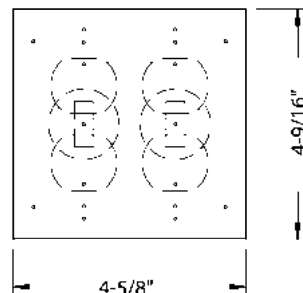
### CATALOG NO. 5654-1



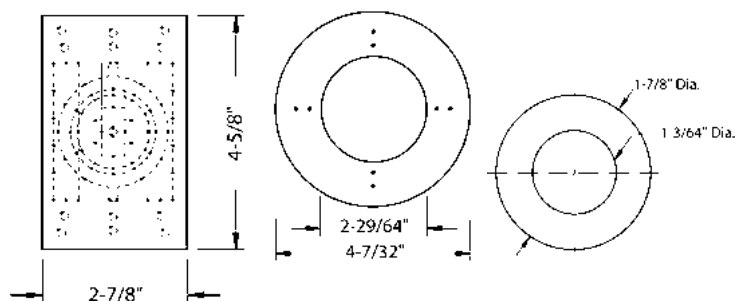
### GASKET: CATALOG NO. 5019-0



### GASKET: CATALOG NO. 5020-0

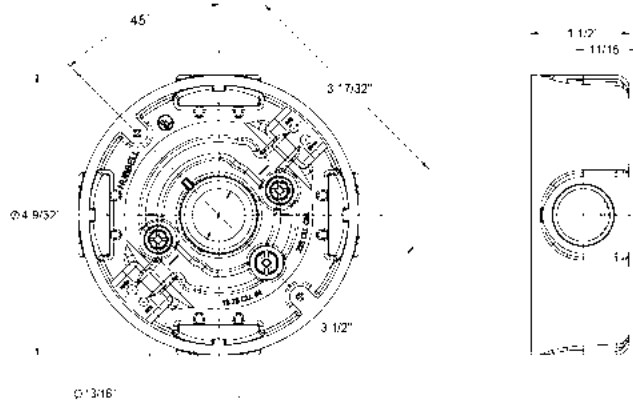


### GASKETS: CATALOG NO. 5017-0

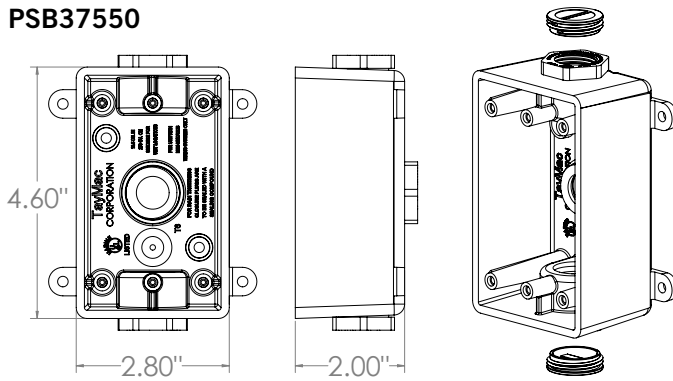


**NONMETALLIC BOXES**

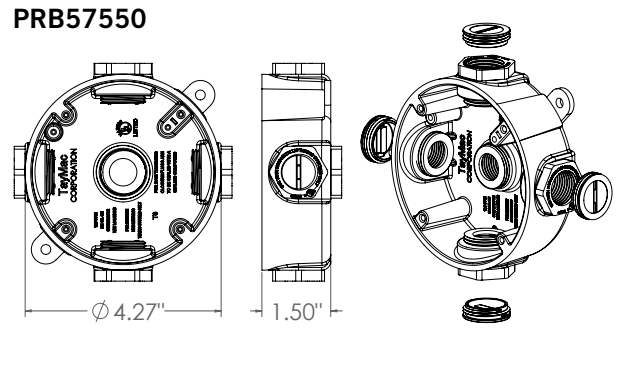
**PRCF57550**



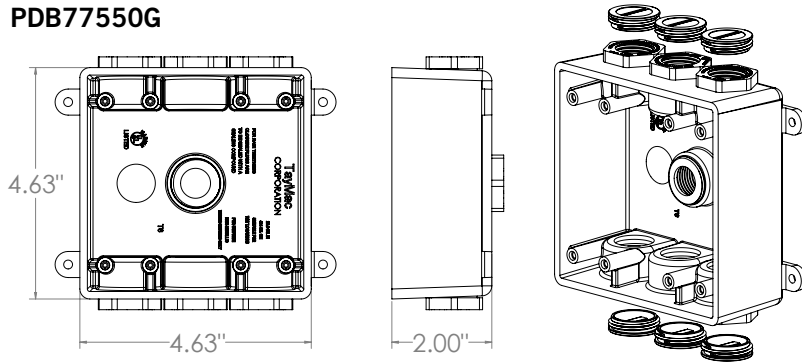
**PSB37550**



**PRB57550**

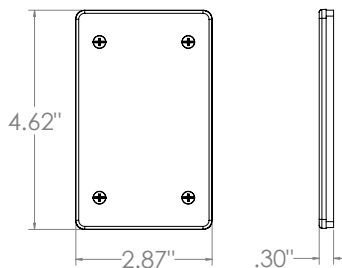


**PDB77550G**

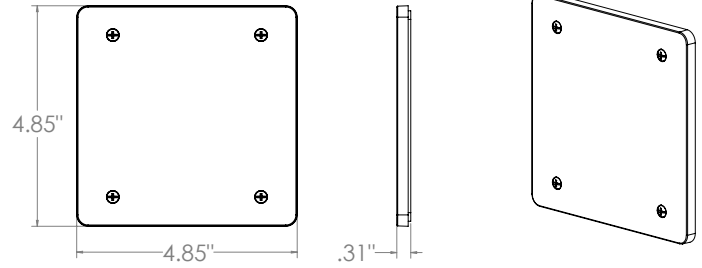


**NONMETALLIC COVERS**

**PBC100**



**PBC200**

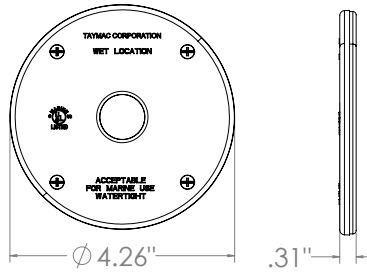




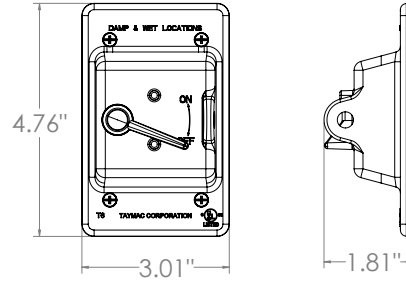
**DETAILED DRAWINGS**

**NONMETALLIC COVERS**

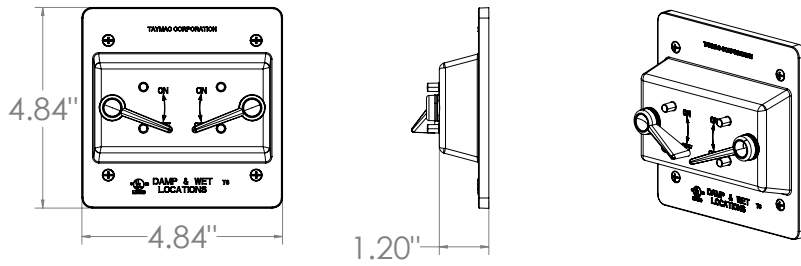
**PBC300**



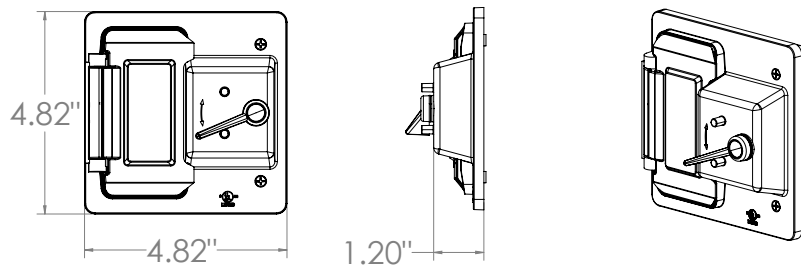
**PTC100**



**PTC200**

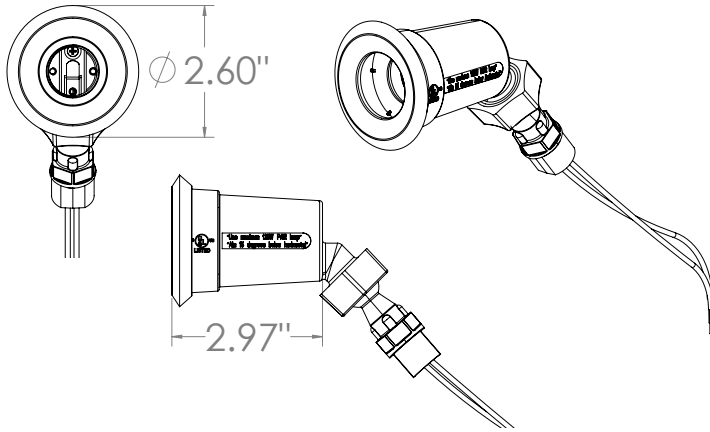


**PTC521**

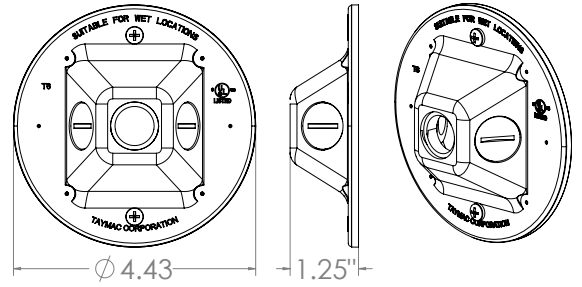


**NONMETALLIC LIGHTING**

**PLTS100**

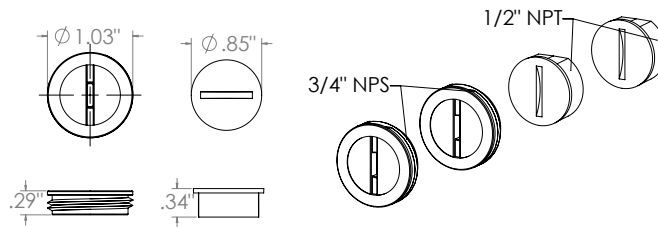


**PLV330**



**NONMETALLIC ACCESSORIES**

**PCP47550**







*Wallplates and HVAC*



**METAL WALLPLATE REFERENCE**

**APPLICATIONS**

- For use in home, commercial and industrial settings for enhanced durability and appearance

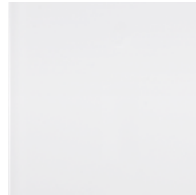
**PRODUCT FEATURES**

- Metal wallplates have a beauty, weight and feel that plastic can't replicate
- Easily primed and painted to match or complement walls
- Solid sound compared to thin, hollow resonance of economy plastic plates
- Durable – won't crack, peel or discolor over time
- Won't bow, crack or distort during installation
- Premium North American Powder Coat
- Includes screws in matching finish

**COMPLIANCES**

-  LISTED

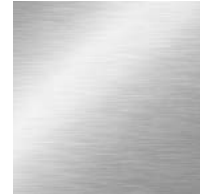
**TEXTURES**



**W**  
Smooth White



**TW**  
Textured White



**SS**  
430 Stainless Steel

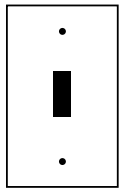


**I**  
Smooth Ivory

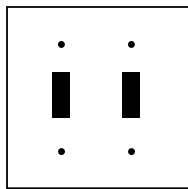


**TI**  
Textured Ivory

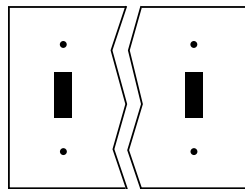
**CONFIGURATIONS**



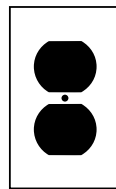
**T**  
Toggle



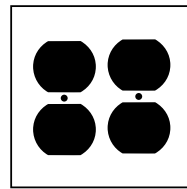
**TT**  
2-Toggle



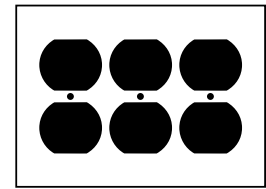
**TTT, TTTT, 5T, 6T**  
3-, 4-, 5-, 6-Toggle



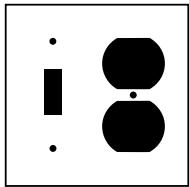
**D**  
Duplex



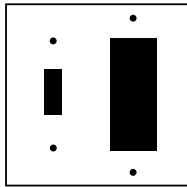
**DD**  
2-Duplex



**DDD**  
3-Duplex



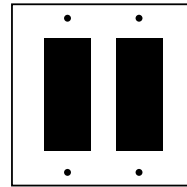
**TD**  
Toggle Duplex



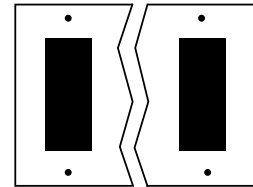
**TR**  
Toggle Decorator/Rocker



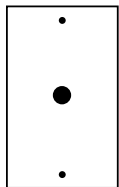
**R**  
Decorator/Rocker



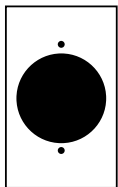
**RR**  
2-Decorator/Rocker



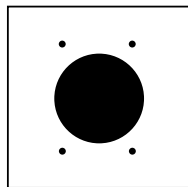
**RRR, RRRR, 5R, 6R**  
3-, 4-, 5-, 6-Decorator/Rocker



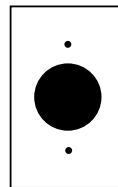
**C**  
Cable



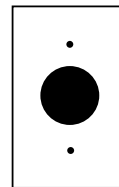
**1-2**  
Single Receptacle  
2.15"



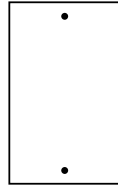
**2-2**  
2-Gang Single Receptacle  
2.15"



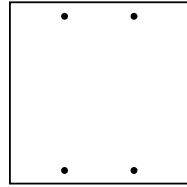
**SR1**  
Single Receptacle  
1.6"



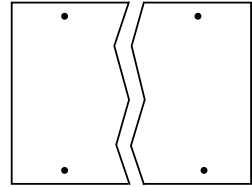
**SR2**  
Single Receptacle  
1.4"



**B**  
Blank



**BB**  
2-Blank



**BBB, BBBB**  
3-, 4-Blank



CATALOG #	DESCRIPTION	COLOR	PKG. TYPE	STD. PKG.	BARCODE
<b>Standard Metal Wallplate: White Smooth</b>					
WW-T	Toggle	White Smooth	Polybag	25	
WW-TT	2-Toggle	White Smooth	Polybag	10	
WW-TTT	3-Toggle	White Smooth	Polybag	10	
WW-TTTT	4-Toggle	White Smooth	Polybag	10	
WW-R	Decorator/Rocker	White Smooth	Polybag	25	
WW-RR	2-Decorator/Rocker	White Smooth	Polybag	10	
WW-RRR	3-Decorator/Rocker	White Smooth	Polybag	10	
WW-RRRR	4-Decorator/Rocker	White Smooth	Polybag	10	
WW-D	Duplex	White Smooth	Polybag	25	
WW-DD	2-Duplex	White Smooth	Polybag	10	
WW-DDD	3-Duplex	White Smooth	Polybag	10	
WW-B	Blank	White Smooth	Polybag	25	
WW-BB	2-Blank	White Smooth	Polybag	10	
WW-BBB	3-Blank	White Smooth	Polybag	10	
WW-BBBB	4-Blank	White Smooth	Polybag	10	
WW-SR1	Single Receptacle 1.6"	White Smooth	Polybag	25	
WW1-2	Single Receptacle 2.15"	White Smooth	Polybag	25	
WW2-2	2-Gang Receptacle 2.15"	White Smooth	Polybag	10	
WW-TR	Toggle Decorator/Rocker	White Smooth	Polybag	10	
WW-DR	Duplex Decorator/Rocker	White Smooth	Polybag	10	
WW-TD	Toggle Duplex	White Smooth	Polybag	10	

SEE END OF SECTION (PG E22) FOR DETAILED DRAWINGS >>



**STANDARD METAL WALLPLATES – WHITE TEXTURED**



**WTW-T**



**WTW-TT**



**WTW-TTT**



**WTW-R**



**WTW-RR**



**WTW-RRR**



**WTW-D**



**WTW-DD**



**WTW-B**



**WTW-BB**



**WTW-TR**



**WTW-TD**



**LPB3400**



**LPB3325**

CATALOG #	DESCRIPTION	COLOR	PKG. TYPE	STD. PKG.	BARCODE
<b>Standard Metal Wallplate: White Textured</b>					
<b>WTW-T</b>	Toggle	White Textured	Polybag	25	
<b>WTW-TT</b>	2-Toggle	White Textured	Polybag	10	
<b>WTW-TTT</b>	3-Toggle	White Textured	Polybag	10	
<b>WTW-R</b>	Decorator/Rocker	White Textured	Polybag	25	
<b>WTW-RR</b>	2-Decorator/Rocker	White Textured	Polybag	10	
<b>WTW-RRR</b>	3-Decorator/Rocker	White Textured	Polybag	10	
<b>WTW-D</b>	Duplex	White Textured	Polybag	25	
<b>WTW-DD</b>	2-Duplex	White Textured	Polybag	10	
<b>WTW-B</b>	Blank	White Textured	Polybag	25	
<b>WTW-BB</b>	2-Blank	White Textured	Polybag	10	
<b>WTW-TR</b>	Toggle Decorator/Rocker	White Textured	Polybag	10	
<b>WTW-TD</b>	Toggle Duplex	White Textured	Polybag	10	
<b>LPB3325</b>	5" Round (Fits 3.25" Box)	White Textured	Polybag	20	
<b>LPB3400</b>	5" Round (Fits 4" Box)	White Textured	Polybag	20	

SEE END OF SECTION (PG E22) FOR DETAILED DRAWINGS >>



STANDARD METAL WALLPLATES – IVORY SMOOTH



WI-T



WI-TT



WI-TTT



WI-D



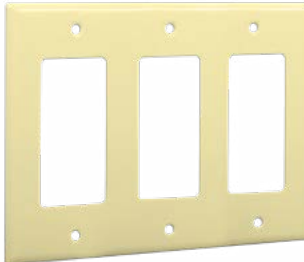
WI-DD



WI-R



WI-RR



WI-RRR



WI-B



WI-BB



WI-TD



WI-TR

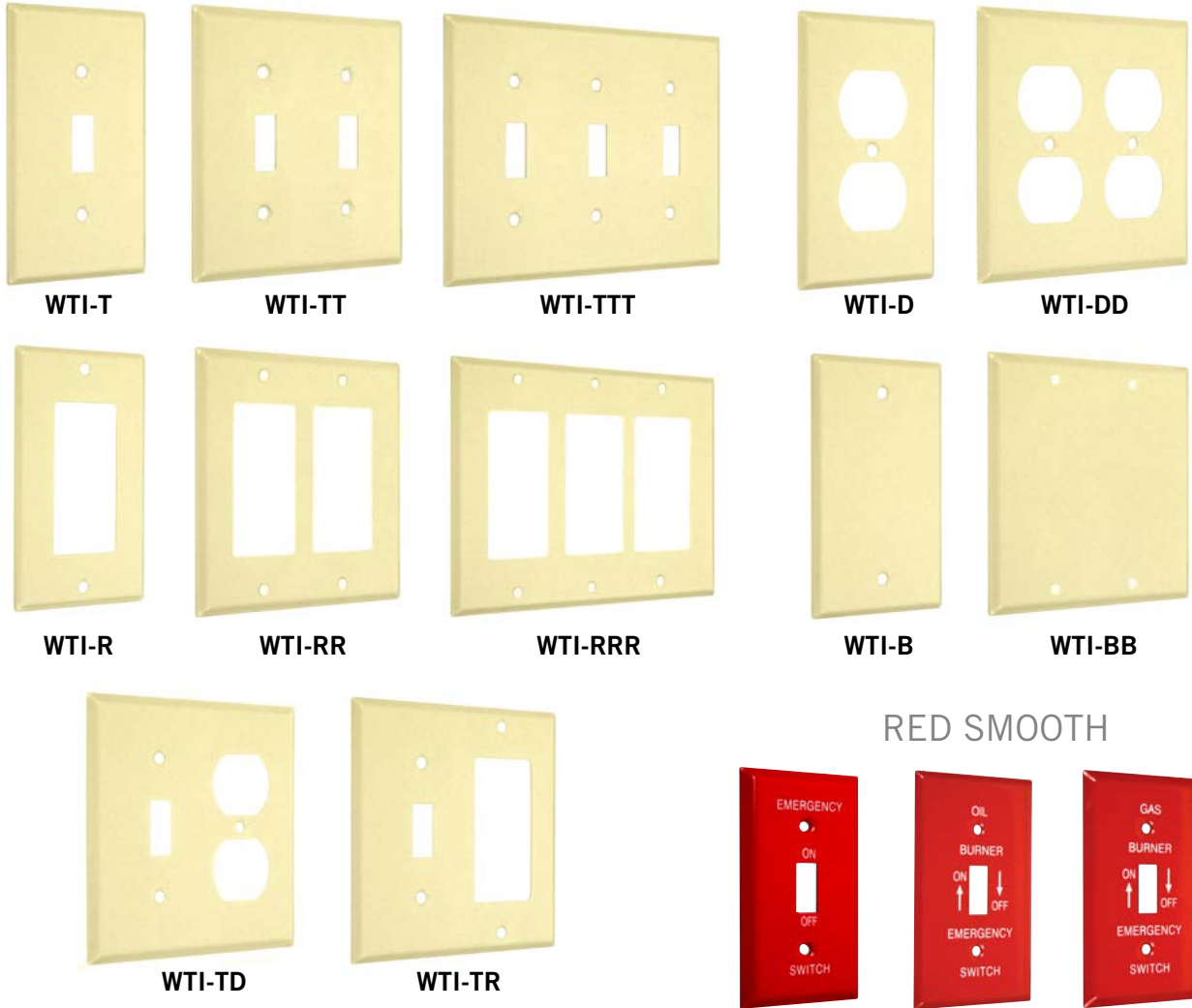
CATALOG #	DESCRIPTION	COLOR	PKG. TYPE	STD. PKG.	BARCODE
<b>Metal Wallplate: Ivory Smooth</b>					
WI-T	Toggle	Ivory Smooth	Polybag	25	
WI-TT	2-Toggle	Ivory Smooth	Polybag	10	
WI-TTT	3-Toggle	Ivory Smooth	Polybag	10	
WI-R	Decorator/Rocker	Ivory Smooth	Polybag	25	
WI-RR	2-Decorator/Rocker	Ivory Smooth	Polybag	10	
WI-RRR	3-Decorator/Rocker	Ivory Smooth	Polybag	10	
WI-D	Duplex	Ivory Smooth	Polybag	25	
WI-DD	2-Duplex	Ivory Smooth	Polybag	10	
WI-B	Blank	Ivory Smooth	Polybag	25	
WI-BB	2-Blank	Ivory Smooth	Polybag	10	
WI-TD	Toggle Duplex	Ivory Smooth	Polybag	10	
WI-TR	Toggle Decorator/Rocker	Ivory Smooth	Polybag	10	

SEE END OF SECTION (PG E22) FOR DETAILED DRAWINGS >>

STANDARD METAL WALLPLATES – IVORY TEXTURED / RED SMOOTH



IVORY TEXTURED



RED SMOOTH



CATALOG #	DESCRIPTION	COLOR	PKG. TYPE	STD. PKG.	BARCODE
<b>Metal Wallplate: Ivory Textured</b>					
WTI-T	Toggle	Ivory Textured	Polybag	25	
WTI-TT	2-Toggle	Ivory Textured	Polybag	10	
WTI-TTT	3-Toggle	Ivory Textured	Polybag	10	
WTI-R	Decorator/Rocker	Ivory Textured	Polybag	25	
WTI-RR	2-Decorator/Rocker	Ivory Textured	Polybag	10	
WTI-RRR	3-Decorator/Rocker	Ivory Textured	Polybag	10	
WTI-D	Duplex	Ivory Textured	Polybag	25	
WTI-DD	2-Duplex	Ivory Textured	Polybag	10	
WTI-B	Blank	Ivory Textured	Polybag	25	
WTI-BB	2-Blank	Ivory Textured	Polybag	10	
WTI-TR	Toggle Decorator/Rocker	Ivory Textured	Polybag	10	
WTI-TD	Toggle Duplex	Ivory Textured	Polybag	10	
<b>Standard Metal Wallplate: Red Smooth</b>					
WE-T	Emergency Toggle	Red	Polybag	25	
WO-T	Oil Toggle	Red	Polybag	25	
WG-T	Gas Toggle	Red	Polybag	25	

SEE END OF SECTION (PG E22) FOR DETAILED DRAWINGS >>

STANDARD METAL WALLPLATES – STAINLESS STEEL



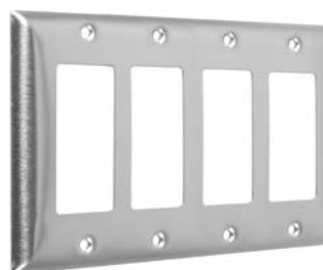
WSS-R



WSS-RR



WSS-RRR



WSS-RRRR



WSS-TR



WSS-TD



WSS-T



WSS-TT



WSS-TTT



WSS-TTTT



WSS-D



WSS-DD



WSS1-2



WSS2-2



WSS-SR1



WSS-SR2



WSS-C

CATALOG #	DESCRIPTION	COLOR	PKG. TYPE	STD. PKG.	BARCODE
<b>Stainless Steel* Wallplate</b>					
WSS-T	Toggle	Stainless Steel	Polybag	10	
WSS-TT	2-Toggle	Stainless Steel	Polybag	10	
WSS-TTT	3-Toggle	Stainless Steel	Polybag	10	
WSS-TTTT	4-Toggle	Stainless Steel	Polybag	10	
WSS-R	Decorator/Rocker	Stainless Steel	Polybag	10	
WSS-RR	2-Decorator/Rocker	Stainless Steel	Polybag	10	
WSS-RRR	3-Decorator/Rocker	Stainless Steel	Polybag	10	
WSS-RRRR	4-Decorator/Rocker	Stainless Steel	Polybag	10	
WSS-D	Duplex	Stainless Steel	Polybag	10	
WSS-DD	2-Duplex	Stainless Steel	Polybag	10	
WSS1-2	Receptacle 2.15" Hole	Stainless Steel	Polybag	10	
WSS2-2	2-Gang Receptacle 2.15" Hole	Stainless Steel	Polybag	10	
WSS-SR1	Receptacle 1.6" Hole	Stainless Steel	Polybag	10	
WSS-SR2	Receptacle 1.4" Hole	Stainless Steel	Polybag	10	
WSS-C	Communication	Stainless Steel	Polybag	10	
WSS-B	Blank	Stainless Steel	Polybag	10	
WSS-BB	2-Blank	Stainless Steel	Polybag	10	
WSS-TD	Toggle Duplex	Stainless Steel	Polybag	10	
WSS-TR	Toggle Decorator/Rocker	Stainless Steel	Polybag	10	



WSS-B



WSS-BB

\* 430 Stainless Steel

SEE END OF SECTION (PG E22) FOR DETAILED DRAWINGS >>

**MAXI/PRINCESS METAL WALLPLATES – WHITE SMOOTH**



PRINCESS

MAXI



MAXI / PRINCESS



CATALOG #	DESCRIPTION	COLOR	PKG. TYPE	STD. PKG.	BARCODE
<b>Princess Metal Wallplate: White Smooth</b>					
WRW-T	Toggle	White Smooth	Polybag	25	
WRW-R	Decorator/Rocker	White Smooth	Polybag	25	
WRW-D	Duplex	White Smooth	Polybag	25	
WRW-B	Blank	White Smooth	Polybag	25	
WRW-SR2	Receptacle 1.40" Hole	White Smooth	Polybag	25	
<b>Maxi Metal Wallplate: White Smooth</b>					
WMW-T	Toggle	White Smooth	Polybag	25	
WMW-R	Decorator/Rocker	White Smooth	Polybag	25	
WMW-D	Duplex	White Smooth	Polybag	25	
WMW-B	Blank	White Smooth	Polybag	25	
WMW-SR2	Receptacle 1.40" Hole	White Smooth	Polybag	25	
<b>Maxi/Princess Metal Wallplate: White Smooth</b>					
WRW-TT	2-Toggle	White Smooth	Polybag	10	
WRW-TTT	3-Toggle	White Smooth	Polybag	10	
WRW-TTTT	4-Toggle	White Smooth	Polybag	10	
WRW-5T	5-Toggle	White Smooth	Polybag	10	
WRW-6T	6-Toggle	White Smooth	Polybag	10	
WRW-RR	2-Decorator/Rocker	White Smooth	Polybag	10	
WRW-RRR	3-Decorator/Rocker	White Smooth	Polybag	10	
WRW-RRRR	4-Decorator/Rocker	White Smooth	Polybag	10	
WRW-5R	5-Decorator/Rocker	White Smooth	Polybag	10	
WRW-6R	6-Decorator/Rocker	White Smooth	Polybag	10	

SEE END OF SECTION (PG E22) FOR DETAILED DRAWINGS >>



**MAXI/PRINCESS METAL WALLPLATES – WHITE SMOOTH**

MAXI / PRINCESS



WRW-DD



WRW-DDD



WRW-BB



WRW-BBB



WRW-BBBB



WRW2-2



WRW-DB



WRW-DR



WRW-TD



WRW-TR



WRW-TB



WRW-TTR



WRW-TTD



WRW-TTTD

CATALOG #	DESCRIPTION	COLOR	PKG. TYPE	STD. PKG.	BARCODE
<b>Maxi/Princess Metal Wallplate: White Smooth</b>					
WRW-DD	2-Duplex	White Smooth	Polybag	10	
WRW-DDD	3-Duplex	White Smooth	Polybag	10	
WRW-BB	2-Blank	White Smooth	Polybag	10	
WRW-BBB	3-Blank	White Smooth	Polybag	10	
WRW-BBBB	4-Blank	White Smooth	Polybag	10	
WRW2-2	2-Gang Single Outlet 2.15"	White Smooth	Polybag	10	
WRW-DB	2-Gang Duplex Blank	White Smooth	Polybag	10	
WRW-DR	Duplex Decorator/Rocker	White Smooth	Polybag	10	
WRW-TD	Toggle Duplex	White Smooth	Polybag	10	
WRW-TR	Toggle Decorator/Rocker	White Smooth	Polybag	10	
WRW-TB	Toggle Blank	White Smooth	Polybag	10	
WRW-TTD	2-Toggle Duplex	White Smooth	Polybag	10	
WRW-TTTD	3-Toggle Duplex	White Smooth	Polybag	10	
WRW-TTR	2-Toggle Decorator/Rocker	White Smooth	Polybag	10	

SEE END OF SECTION (PG E22) FOR DETAILED DRAWINGS >>



**MAXI/PRINCESS METAL WALLPLATES – WHITE TEXTURED**



**PRINCESS**

**MAXI**



**WRTW-B**



**WRTW-T**



**WRTW-R**



**WRTW-D**



**WMTW-B**



**WMTW-T**



**WMTW-R**



**WMTW-D**

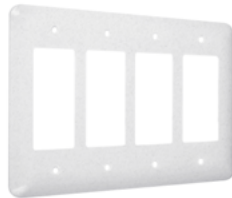
**MAXI / PRINCESS**



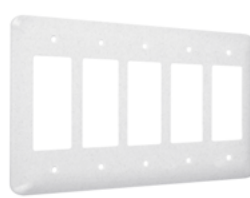
**WRTW-RR**



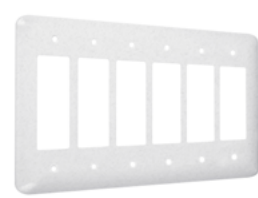
**WRTW-RRR**



**WRTW-RRRR**



**WRTW-5R**



**WRTW-6R**



**WRTW-TT**



**WRTW-TTT**



**WRTW-TTTT**



**WRTW-5T**



**WRTW-6T**



**WRTW-TD**



**WRTW-TR**



**WRTW-BB**



**WRTW-DD**

CATALOG #	DESCRIPTION	COLOR	PKG. TYPE	STD. PKG.	BARCODE
<b>Princess Metal Wallplate: White Textured</b>					
WRTW-T	Toggle	White Textured	Polybag	25	
WRTW-R	Decorator/Rocker	White Textured	Polybag	25	
WRTW-D	Duplex	White Textured	Polybag	25	
WRTW-B	Blank	White Textured	Polybag	25	
<b>Maxi Metal Wallplate: White Textured</b>					
WMTW-T	Toggle	White Textured	Polybag	25	
WMTW-R	Decorator/Rocker	White Textured	Polybag	25	
WMTW-D	Duplex	White Textured	Polybag	25	
WMTW-B	Blank	White Textured	Polybag	25	
<b>Maxi/Princess Metal Wallplate: White Textured</b>					
WRTW-TT	2-Toggle	White Textured	Polybag	20	
WRTW-TTT	3-Toggle	White Textured	Polybag	10	
WRTW-TTTT	4-Toggle	White Textured	Polybag	10	
WRTW-5T	5-Toggle	White Textured	Polybag	10	
WRTW-6T	6-Toggle	White Textured	Polybag	25	
WRTW-RR	2-Decorator/Rocker	White Textured	Polybag	20	
WRTW-RRR	3-Decorator/Rocker	White Textured	Polybag	10	
WRTW-RRRR	4-Decorator/Rocker	White Textured	Polybag	10	
WRTW-5R	5-Decorator/Rocker	White Textured	Polybag	10	
WRTW-6R	6-Decorator/Rocker	White Textured	Polybag	10	
WRTW-DD	2-Duplex	White Textured	Polybag	20	
WRTW-BB	2-Blank	White Textured	Polybag	10	
WRTW-TD	Toggle Duplex	White Textured	Polybag	20	
WRTW-TR	Toggle Decorator/Rocker	White Textured	Polybag	20	

SEE END OF SECTION (PG E22) FOR DETAILED DRAWINGS >>



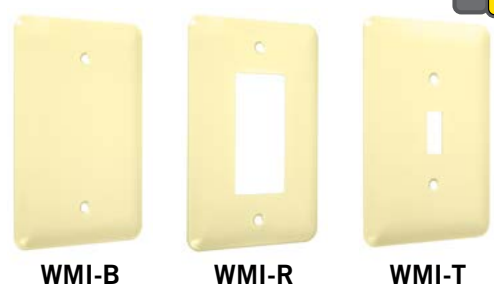
**MAXI/PRINCESS METAL WALLPLATES – IVORY SMOOTH**



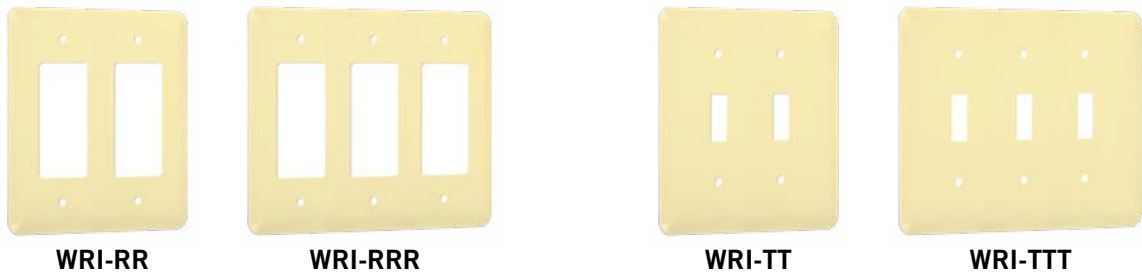
PRINCESS



MAXI



MAXI / PRINCESS



CATALOG #	DESCRIPTION	COLOR	PKG. TYPE	STD. PKG.	BARCODE
<b>Princess Metal Wallplate: Ivory Smooth</b>					
WRI-T	Toggle	Ivory Smooth	Polybag	25	
WRI-B	Blank	Ivory Smooth	Polybag	25	
WRI-R	Decorator/Rocker	Ivory Smooth	Polybag	25	
WRI-D	Duplex	Ivory Smooth	Polybag	25	
<b>Maxi Metal Wallplate: Ivory Smooth</b>					
WMI-T	Toggle	Ivory Smooth	Polybag	25	
WMI-R	Decorator/Rocker	Ivory Smooth	Polybag	25	
WMI-B	Blank	Ivory Smooth	Polybag	25	
<b>Maxi/Princess Metal Wallplate: Ivory Smooth</b>					
WRI-TT	2-Toggle	Ivory Smooth	Polybag	10	
WRI-TTT	3-Toggle	Ivory Smooth	Polybag	10	
WRI-RR	2-Decorator/Rocker	Ivory Smooth	Polybag	10	
WRI-RRR	3-Decorator/Rocker	Ivory Smooth	Polybag	10	
WRI-DD	2-Duplex	Ivory Smooth	Polybag	10	
WRI-BB	2-Blank	Ivory Smooth	Polybag	10	
WRI2-2	2-Gang Single Outlet 2.15"	Ivory Smooth	Polybag	10	
WRI-TD	Toggle Duplex	Ivory Smooth	Polybag	10	
WRI-TR	Toggle Decorator/Rocker	Ivory Smooth	Polybag	10	

SEE END OF SECTION (PG E22) FOR DETAILED DRAWINGS >>

**MAXI/PRINCESS METAL WALLPLATES – IVORY TEXTURED**



**PRINCESS**



**WRTI-B WRTI-T WRTI-R**



**WRTI-D WMTI-B WMTI-T WMTI-R WMTI-D WMTI-SR2**

**MAXI**

**MAXI / PRINCESS**



**WRTI-TT WRTI-TTT WRTI-TTTT WRTI-5T WRTI-TR**



**WRTI-RR WRTI-RRR WRTI-RRRR WRTI-DR WRTI-DD**



**WRTI-TD WRTI2-2**



**WRTI-BB WRTI-BBB**

CATALOG #	DESCRIPTION	COLOR	PKG. TYPE	STD. PKG.	BARCODE
<b>Princess Metal Wallplate: Ivory Textured</b>					
WRTI-T	Toggle	Ivory Textured	Polybag	25	
WRTI-B	Blank	Ivory Textured	Polybag	25	
WRTI-R	Decorator/Rocker	Ivory Textured	Polybag	25	
WRTI-D	Duplex	Ivory Textured	Polybag	25	
<b>Maxi Metal Wallplate: Ivory Textured</b>					
WMTI-T	Toggle	Ivory Textured	Polybag	25	
WMTI-R	Decorator/Rocker	Ivory Textured	Polybag	25	
WMTI-D	Duplex	Ivory Textured	Polybag	25	
WMTI-B	Blank	Ivory Textured	Polybag	25	
WMTI-SR2	Receptacle 1.40" Hole	Ivory Textured	Polybag	25	
<b>Maxi Metal Wallplate: Ivory Textured</b>					
WRTI-TT	2-Toggle	Ivory Textured	Polybag	10	
WRTI-TTT	3-Toggle	Ivory Textured	Polybag	10	
WRTI-TTTT	4-Toggle	Ivory Textured	Polybag	10	
WRTI-5T	5-Toggle	Ivory Textured	Polybag	10	
WRTI-RR	2-Decorator/Rocker	Ivory Textured	Polybag	10	
WRTI-RRR	3-Decorator/Rocker	Ivory Textured	Polybag	10	
WRTI-RRRR	4-Decorator/Rocker	Ivory Textured	Polybag	10	
WRTI-DD	2-Duplex	Ivory Textured	Polybag	10	
WRTI-BB	2-Blank	Ivory Textured	Polybag	10	
WRTI-BBB	3-Blank	Ivory Textured	Polybag	10	
WRTI2-2	2-Gang Single Outlet 2.15"	Ivory Textured	Polybag	10	
WRTI-TD	Toggle Duplex	Ivory Textured	Polybag	10	
WRTI-TR	Toggle Decorator/Rocker	Ivory Textured	Polybag	10	
WRTI-DR	Duplex Decorator/Rocker	Ivory Textured	Polybag	10	

SEE END OF SECTION (PG E22) FOR DETAILED DRAWINGS >>





JUMBO BRUSHED NICKEL



WJBN-DX    WJBN-RX    WJBN-TX    WJBN-TTX

WHITE SMOOTH



WJW-D    WJW-R    WJW-T    WJW-TT

WHITE TEXTURED



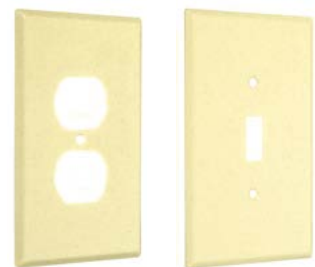
WJTW-D    WJTW-R    WJTW-T    WJTW-TT

IVORY SMOOTH



WJI-D    WJI-R    WJI-T    WJI-TT

IVORY TEXTURED



WJTI-D    WJTI-T



WJTI-TT

CATALOG #	DESCRIPTION	COLOR	PKG. TYPE	STD. PKG.	BARCODE
<b>Jumbo Metal Wallplate: Brushed Nickel</b>					
WJBN-DX	Duplex	Brushed Nickel	Polybag	10	
WJBN-RX	Decorator/Rocker	Brushed Nickel	Polybag	10	
WJBN-TX	Toggle	Brushed Nickel	Polybag	10	
WJBN-TTX	2-Toggle	Brushed Nickel	Polybag	10	
<b>Jumbo Metal Wallplate: White Smooth</b>					
WJW-T	Toggle	White Smooth	Polybag	20	
WJW-TT	2-Toggle	White Smooth	Polybag	10	
WJW-R	Decorator/Rocker	White Smooth	Polybag	20	
WJW-D	Duplex	White Smooth	Polybag	20	
<b>Jumbo Metal Wallplate: White Textured</b>					
WJTW-T	Toggle	Textured White	Polybag	20	
WJTW-TT	2-Toggle	Textured White	Polybag	10	
WJTW-R	Decorator/Rocker	Textured White	Polybag	20	
WJTW-D	Duplex	Textured White	Polybag	20	
<b>Jumbo Metal Wallplate: Ivory Smooth</b>					
WJI-T	Toggle	Ivory Smooth	Polybag	20	
WJI-TT	2-Toggle	Ivory Smooth	Polybag	10	
WJI-R	Decorator/Rocker	Ivory Smooth	Polybag	20	
WJI-D	Duplex	Ivory Smooth	Polybag	20	
<b>Jumbo Metal Wallplate: Ivory Textured</b>					
WJTI-T	Toggle	Textured Ivory	Polybag	20	
WJTI-TT	2-Toggle	Textured Ivory	Polybag	10	
WJTI-D	Duplex	Textured Ivory	Polybag	20	

SEE END OF SECTION (PG E22) FOR DETAILED DRAWINGS >>

**PLASTIC WALLPLATES – MASQUE®**



MASQUE® 2000 SERIES

**APPLICATIONS**

- Designed for home and commercial use providing enhanced ascetics and durability

**PRODUCT FEATURES**

- Achieve fantastic colors. Masque wall plates are easily painted or wallpapered to match or compliment walls
- Unbreakable premium PVC wallplates
- Hide outdated, discolored outlets
- Won't crack or distort during installation
- Includes screws in matching finish

**COMPLIANCES**

- LISTED\*



*Paint or Cover with Wallpaper!*



2000W



4000W



5070W



2400W



4400WH



4440W

CATALOG #	DESCRIPTION	COLOR	PKG. TYPE	STD. PKG.	BARCODE
<b>Masque® 2000 Series</b>					
2000W	Grounded Duplex	White Textured	Polybag	50	
4000W	Toggle	White Textured	Polybag	50	
5070W	Toggle Cover-Up	White Textured	Polybag	25	
2400W	Duplex Toggle	White Textured	Polybag	10	
4400WH	2-Toggle	White Textured	Polybag	10	
4440W	3-Toggle	White Textured	Polybag	10	

\*Duplex and Toggle Covers (2000W, 5070W, 2400W) not UL listed

SEE END OF SECTION (PG E23) FOR DETAILED DRAWINGS >>





MASQUE® 5000 SERIES



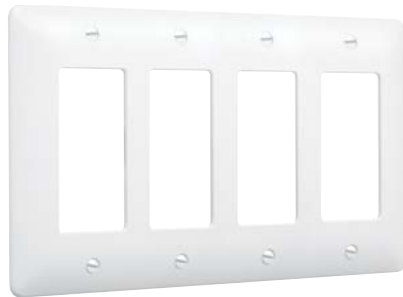
5000W



5500W



5550W



5555W

**APPLICATIONS**

- Designed for home and commercial use for enhanced aesthetics and durability
- Modular universal design for adaptability on most all applications

**PRODUCT FEATURES**

- Achieve fantastic colors. Masque wall plates are easily painted or wallpapered to match or complement walls
- Unbreakable premium PVC wallplates
- Hide outdated, discolored outlets
- Customize with adapters
- Won't crack or distort during installation
- Includes applicable screws in matching finish

**COMPLIANCES**

- LISTED\*

MASQUE® ADAPTERS



AD10W



AD20W



AD40W



AD70W



AD42W



AD90W



AD93W

CATALOG #	DESCRIPTION	COLOR	PKG. TYPE	STD. PKG.	BARCODE
<b>Masque® 5000 Series</b>					
5000W	Decorator Device	White Textured	Polybag	50	
5500W	2-Decorator/Rocker	White Textured	Polybag	10	
5550W	3-Decorator/Rocker	White Textured	Polybag	10	
5555W	4-Decorator/Rocker	White Textured	Polybag	10	
<b>Masque® Adapter Plates</b>					
AD10W	Blank	White Textured	Polybag	10	
AD20W	Duplex	White Textured	Polybag	10	
AD40W	Toggle	White Textured	Polybag	10	
AD70W	Toggle Switch Cover-Up	White Textured	Polybag	25	
AD42W	Rotary Dimmer	White Textured	Polybag	10	
AD90W	Telephone Jack (jack included)	White Textured	Polybag	10	
AD93W	Cable TV	White Textured	Polybag	10	

\*Duplex Adapters (AD20W, AD60W) not UL listed

SEE END OF SECTION (PG E23) FOR DETAILED DRAWINGS >>



**PLASTIC WALLPLATES – DECORATOR COVER**



DECORATOR COVER SERIES

**APPLICATIONS**

- Decorator Covers improve the appearance of a room in seconds, creating a designer decorator look by covering old outlets instead of replacing them. There is no need to re-wire, saving time and money

**PRODUCT FEATURES**

- Completely covers old outdated outlets and switches
- Jumbo size easily hides excessive paint edge build up from years of paint over
- No rewiring
- Saves time and money
- Contemporary look - smooth finish
- PVC material resists wear and tear
- Won't crack or distort during installation
- Includes screw(s) in matching finish



2500W



2500I



2570W



2520W



2520LA



CATALOG #	DESCRIPTION	COLOR	PKG. TYPE	STD. PKG.	BARCODE
<b>Decorator Cover® Series Wallplates</b>					
2500W	Grounded Duplex	White	Polybag	50	
2500I	Grounded Duplex	Ivory	Polybag	50	
2570W	Toggle Switch Cover-Up	White	Polybag	25	
2520W	Grounded Duplex	White	Polybag	50	
2520LA	Grounded Duplex	Light Almond	Polybag	50	

SEE END OF SECTION (PG E23) FOR DETAILED DRAWINGS >>



MASQUE® RÉVIVE



**APPLICATIONS**

- Masque® Révive easily creates an all new look without replacing old outlets or switches. No need to re-wire, saving time and money
- Don't replace... Révive!

**PRODUCT FEATURES**

- Completely covers old outdated outlets and switches
- No rewiring
- Saves time and money
- Contemporary look - smooth finish
- Impact resistant PVC resists wear and tear
- Won't crack or distort during installation
- Includes screw(s) in matching finish



2600W



2670W



2602W



2772W



2672W



2673W

CATALOG #	DESCRIPTION	COLOR	PKG. TYPE	STD. PKG.	BARCODE
<b>Masque® Révive™ Wallplates</b>					
2600W	Grounded Duplex	White	Polybag	10	
2670W	Toggle Switch Cover-Up	White	Polybag	10	
2602W	2-Grounded Duplex	White	Polybag	5	
2772W	Grounded Duplex/Toggle Switch	White	Polybag	5	
2672W	2-Toggle Switch Cover-Up	White	Polybag	8	
2673W	3-Toggle Switch Cover-Up	White	Polybag	5	

SEE END OF SECTION (PG E23) FOR DETAILED DRAWINGS >>

PLASTIC WALLPLATES – ALLURE®



ALLURE® DESIGNER WALLPLATES

**APPLICATIONS**

- Allure® wallplates cover outdated, mismatched receptacles; transforming them to a clean-line, sleek, contemporary look with no visible screws

**PRODUCT FEATURES**

- Use one plate with different inserts to fit any combination of outlet and switch
- Upgrade the look of a home in seconds with the innovative style of Allure® designer wallplates
- Quick and easy to install in under a minute with no electrical work
- Saves time and money by covering existing devices instead of replacing
- Impact resistant ABS resists wear and tear



Wall Plate Frame



A1000W

Choose the proper insert



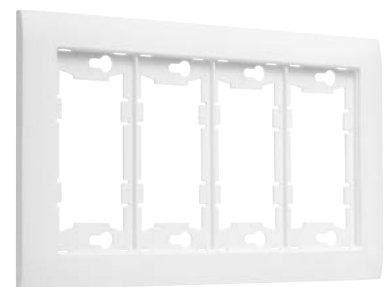
Install for upscale finished look



A2000W



A3000W



A4000W

CATALOG #	DESCRIPTION	COLOR	PKG. TYPE	STD. PKG.	BARCODE
<b>Allure® Wallplate Frames</b>					
A1000W	1-Device	White	Card	6	
A2000W	2-Device	White	Card	3	
A3000W	3-Device	White	Card	3	
A4000W	4-Device	White	Card	3	

SEE END OF SECTION (PG E23) FOR DETAILED DRAWINGS >>



ALLURE® WALLPLATE INSERTS



**APPLICATIONS**

- Allure® wallplates cover outdated, mismatched receptacles; transforming them to a clean-line, sleek, contemporary look with no visible screws

**PRODUCT FEATURES**

- Use one plate with different inserts to fit any combination of outlet and switch
- Upgrade the look of a home in seconds with the innovative style of Allure® designer wallplates
- Quick and easy to install in under a minute with no electrical work
- Saves time and money by covering existing devices instead of replacing
- Impact resistant ABS resists wear and tear

CATALOG #	DESCRIPTION	COLOR	PKG. TYPE	STD. PKG.	BARCODE
<b>Allure® Inserts</b>					
A30W	Toggle Switch	White	Card	6	
A40W	Multi-Port	White	Card	3	
A50W	GFCI (Left Test)	White	Card	3	
A52W	GFCI (Open Test)	White	Card	3	
A54W	GFCI (Traditional Test)	White	Card	3	
A66W	Rotary Dimmer	White	Card	3	
A72W	Universal Insert	White	Card	3	
A00W	Blank	White	Card	3	
A10W	Decorator Outlet	White	Card	3	
A12W	Duplex Outlet	White	Card	6	
A20W	Rocker Switch	White	Card	3	

SEE END OF SECTION (PG E23) FOR DETAILED DRAWINGS >>

**LOW PROFILE THERMOSTAT COVERS**

**APPLICATIONS**

- Protects thermostat from tampering and unwanted changes to AC or heating settings

**PRODUCT FEATURES**

- Patented rotating removable hinge makes adjusting the thermostat more convenient by eliminating the need to completely remove the cover
- Lid can be removed for easy thermostat installation
- Patented hinge includes high strength locking features to ensure that the lid cannot be removed when closed
- Includes tumbler lock with two keys
- Heavy duty polycarbonate
- Includes mounting screws and anchors
- Mounts horizontally or vertically
- Low profile
- Can be mounted in any one of four directions



**ZTC100**

*Compare to Honeywell TG510A 1001*

**Fits thermostat models:**

- Honeywell: T87/Q539
- Robertshaw: TX400
- ITT General: T199
- And others of similar size



**ZTC200**

*Compare to Honeywell TG510A 1000*

**Fits most small and medium thermostat brands including:**

Honeywell, ITT General, White Rodgers, Enerstat, American Stabilis, Columbus Electric and Seco



**ZTC300**

*Compare to Honeywell CG512A 1009*

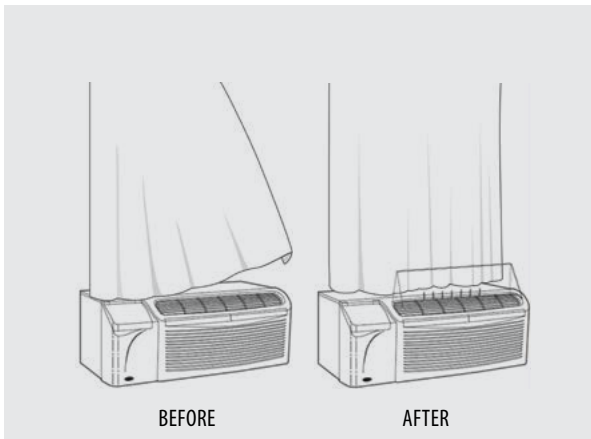
**Fits most medium and large thermostat brands including:**

Honeywell, ITT General, White Rodgers, Enerstat, American Stabilis and Columbus Electric



CATALOG #	DESCRIPTION	INSIDE WIDTH	OUTSIDE WIDTH	PKG. TYPE	STD. PKG.	BARCODE
<b>Clear Plastic Thermostat Guard – Low Profile</b>						
<b>ZTC100</b>	Small	4 7/16" W x 4 7/16" H x 2 1/4" D	5 7/8" W x 5 7/8" H x 2 1/2" D	Box	12	
<b>ZTC200</b>	Medium	6 1/16" W x 5 1/16" H x 2 5/8" D	7 1/2" W x 6 1/2" H x 2 15/16" D	Box	12	
<b>ZTC300</b>	Large	8 3/8" W x 5 7/8" H x 3" D	9 3/4" W x 7 1/4" H x 3 3/8" D	Box	6	

SEE END OF SECTION (PG E24) FOR DETAILED DRAWINGS >>

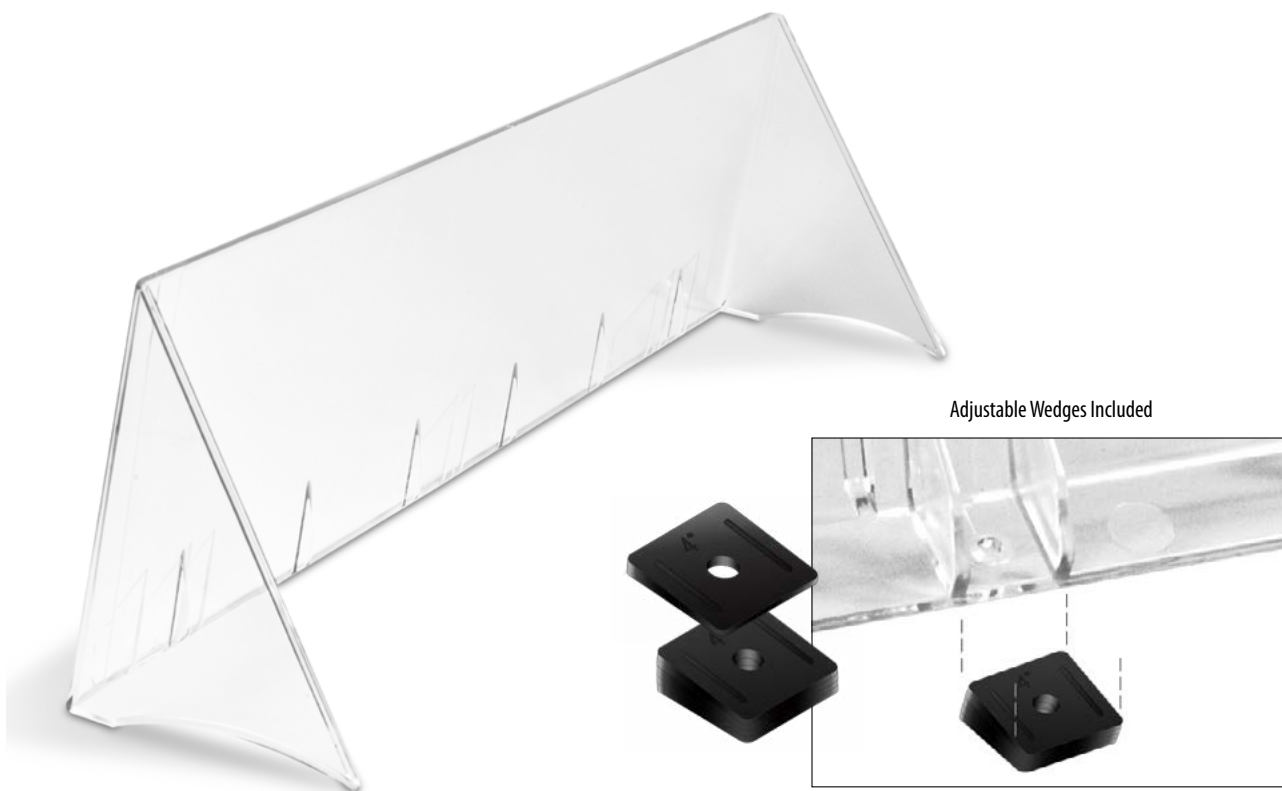


**APPLICATIONS**

- Saves energy and adds comfort by redirecting the flow of air through-out home or office

**PRODUCT FEATURES**

- Heavy duty polystyrene
- Easy to install
- Includes mounting hardware
- (15) adapter wedges included for precision installation



Adjustable Wedges Included

DA28, DF30, DG28, DG30

CATALOG #	SIZE (INSIDE)	COMPATIBILITY	PKG. TYPE	STD. PKG.	BARCODE
<b>PTAC Air Deflector</b>					
DA28	28.5"	Fits Amana® A, B and C series units	Polybag	4	
DF30	30"	Fits most Friedrich® models and other similar size units	Polybag	4	
DG28	29.5"	Fits GE® Zonline® models 2100, 2600, 3100 and 5100	Polybag	4	
DG30	30.25"	Fits GE® Zonline® models 2200, 2500, 2800, 3200, 3500, 3800, 5200 and 5500	Polybag	4	

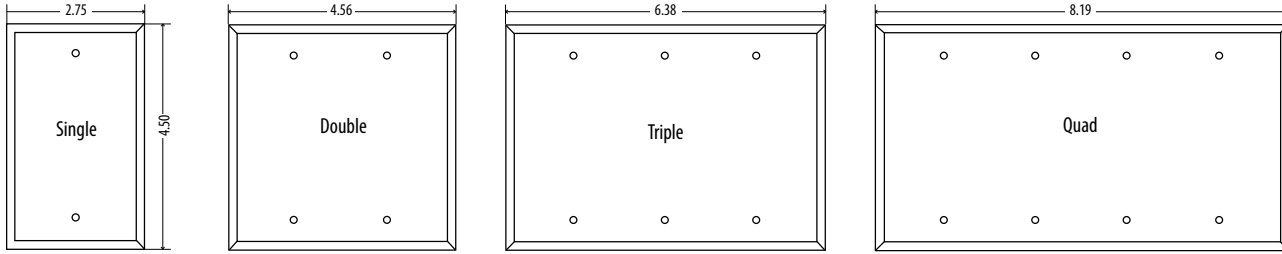
SEE END OF SECTION (PG E25) FOR DETAILED DRAWINGS >>



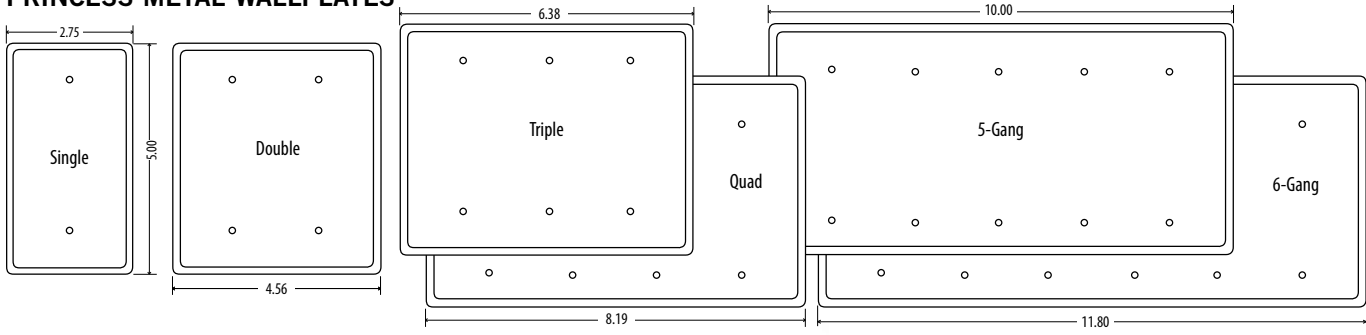
DETAILED DRAWINGS

METAL WALLPLATES

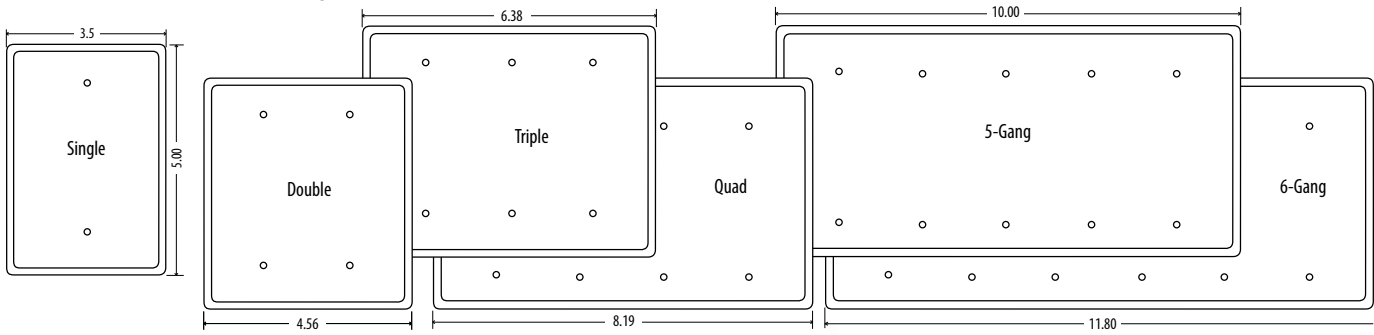
STANDARD METAL WALLPLATES



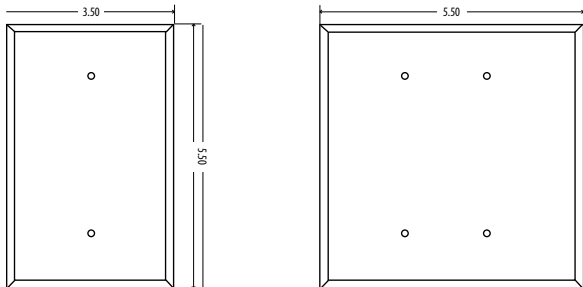
PRINCESS METAL WALLPLATES



MAXI METAL WALLPLATES

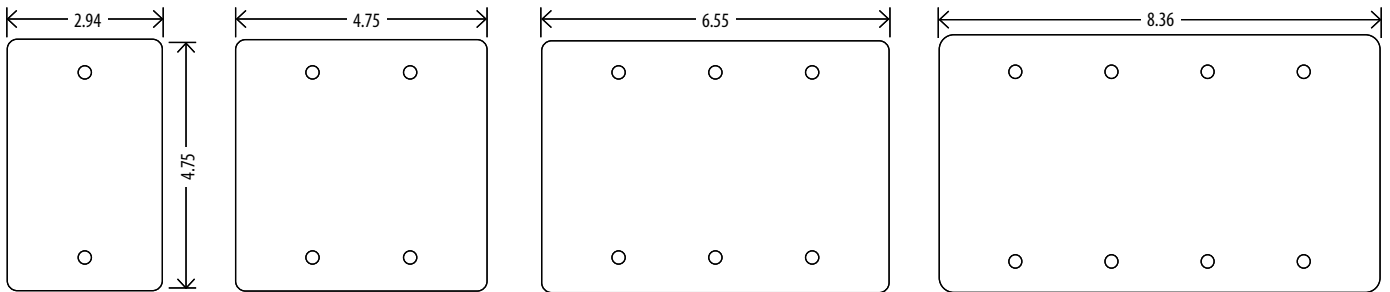


JUMBO METAL WALLPLATES

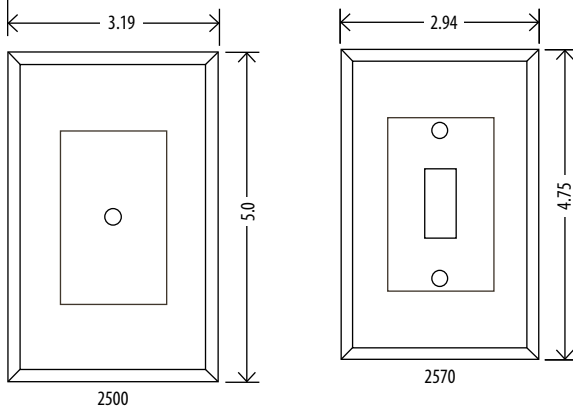


PLASTIC WALLPLATES

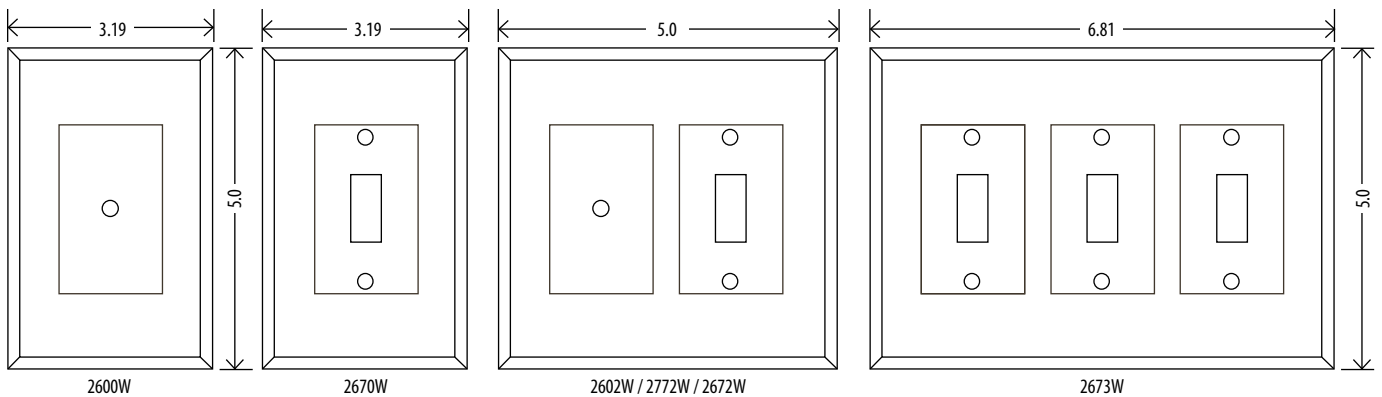
**MASQUE® WALLPLATES**



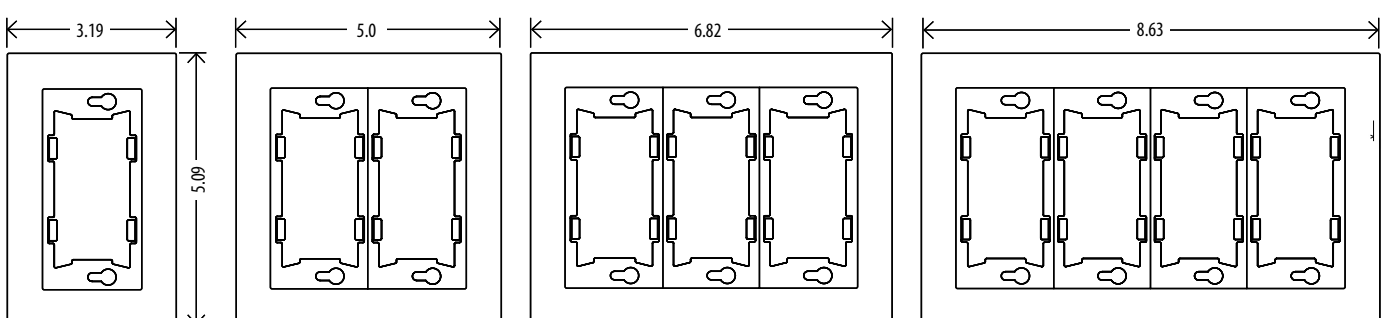
**DECORATOR COVER® WALLPLATES**



**MASQUE® RÉVIVE WALLPLATES**



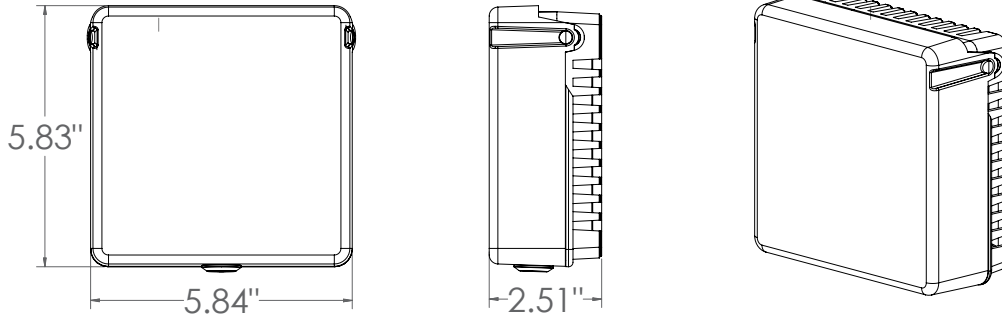
**ALLURE™ WALLPLATES**



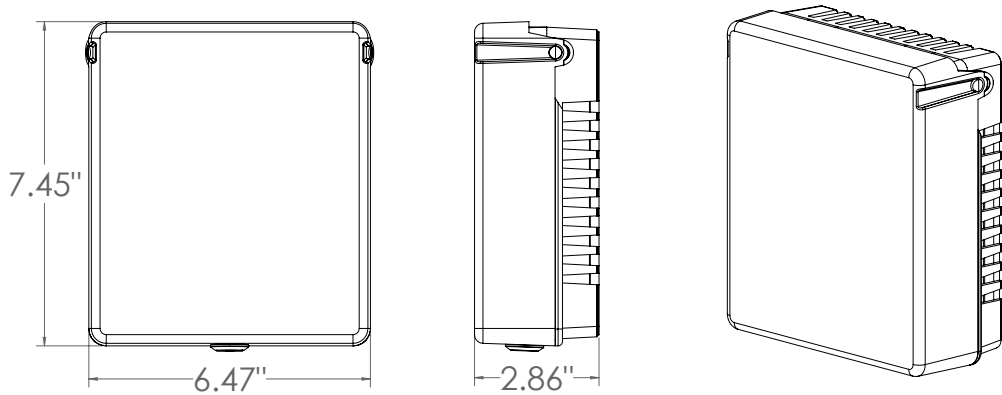
**DETAILED DRAWINGS**

THERMOSTAT COVERS

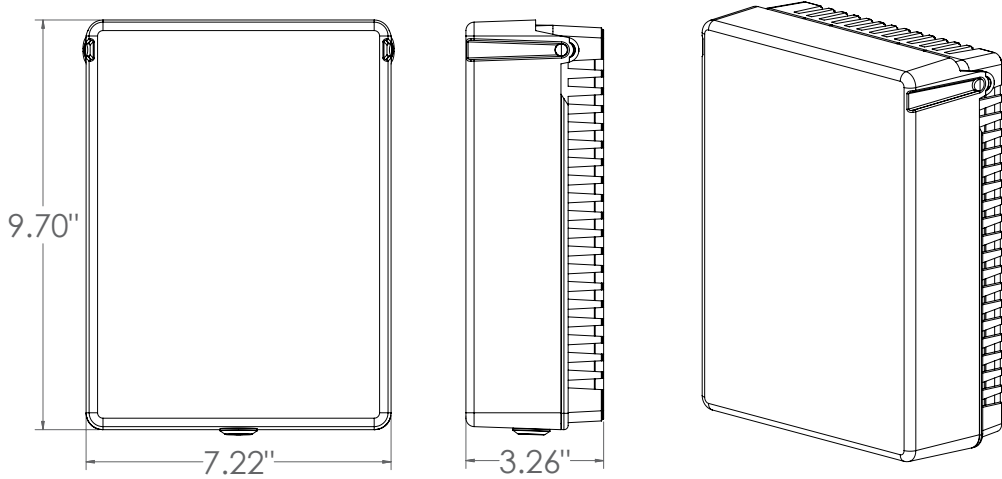
**ZTC100**



**ZTC200**

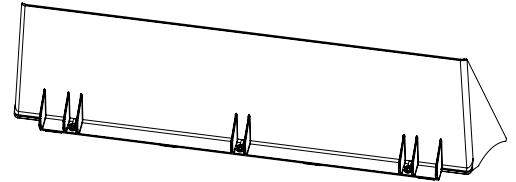
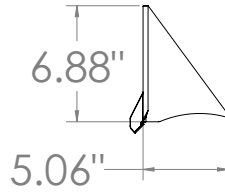
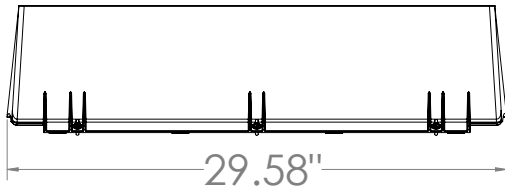


**ZTC300**

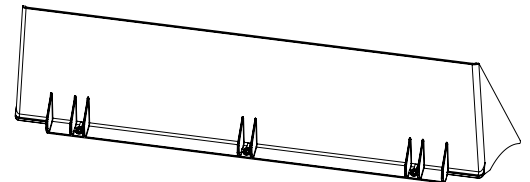
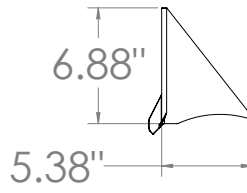
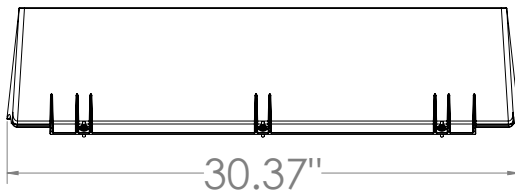


AIR DEFLECTORS

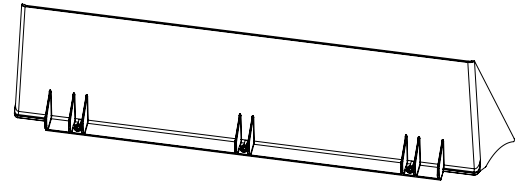
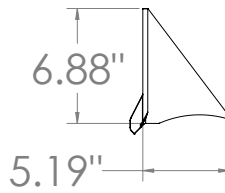
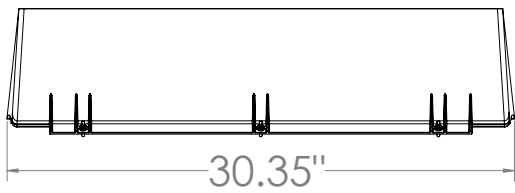
DA28



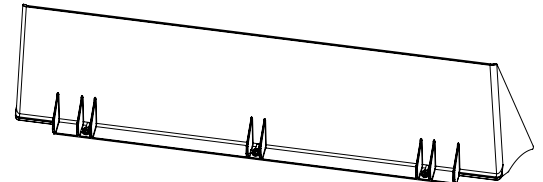
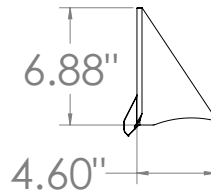
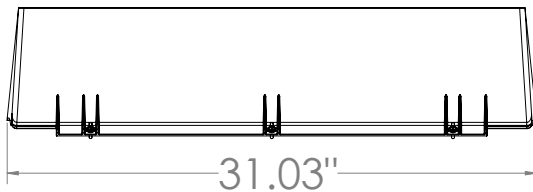
DF30



DG28



DG30





## GLOSSARY: A – E

### A

**ADD-A-DEPTH RING** – a means of extending the walls of a device box to the wall surface, providing a barrier between a wiring device and the surrounding wall material.

**AIR PLENUM** – a compartment or chamber to which one or more air ducts are connected and which forms part of the air distribution system.

**AMP (A)** – a measurement of the amount of electrical current in a circuit at any moment.

**ARMOR** – a metallic covering around the cable for mechanical protection. Typically interlocked steel or aluminum.

**ARMORED CABLE CLAMP** – a means of securing armored cable to a box, providing an electrical ground. The clamp will accommodate two cables.

### B

**BX** – see flexible armored cable.

**BAR HANGER** – a means that is used to position a lighting fixture or fan between ceiling joists or studs. The bar hanger may be adjustable, and permits the electrical outlet box to be positioned along its length.

**BEAM CLAMP** – a fastening means, usually made of malleable iron or steel, commonly used with hangers and a threaded rod to fasten a raceway to an I-beam.

**BELL BOX** – a Hubbell Inc. trade name for the BELL® brand of weatherproof boxes.

**BLOCK-LOC®** – a Hubbell Inc. trade name for self-positioning masonry boxes.

**BONDING** – the permanent joining of metallic parts to form an electrically conductive path that will assure electrical continuity and the capacity to conduct safely any current likely to be imposed.

**BOX EXTENSION** – see extension ring.

**BOX-LOC®** – RACO trade name for our snap-on metal stud bracket.

**BOX MOUNT** – a term commonly used to denote where the screws of a cover attach.

**BUSHING** – a fitting provided to protect wires from abrasion and intended for use where conductors enter or leave the raceway system.

### C

**CSA** – see Canadian Standards Association.

**CABLE** – two or more insulated conductors wrapped in metal or plastic sheathing.

**CABLE BOX** – a box provided with clamps to accommodate either metallic or nonmetallic sheathed cable.

**CABLE CLAMP** – generic name for a clamp that mechanically secures the cable to the electrical outlet box.

**CANADIAN STANDARDS ASSOCIATION (CSA)** – an independent testing agency that certifies products to its established standards of safety and performance.

**CARPET FLANGE** – a ring that is used with a floor box to provide a decorative finish.

**CHASE® NIPPLE** – a registered trademark for a threaded nipple.

**CIRCUIT** – the path of electrical flow from a power source through an outlet and back to ground.

**CLAMP BACK** – a raceway fastening accessory typically used with a conduit strap to position a raceway away from a wall.

**CLASS I LOCATIONS** – are those locations in which flammable gases or vapors are or may be present in the air in quantities sufficient to produce explosive or ignitable mixtures.

**CLASS II LOCATIONS** – are those locations that are hazardous because of the present combustible dust.

**CLASS III LOCATIONS** – are those locations that are hazardous because of the presence of easily ignitable fibers or flyings, but in which the fibers or flyings are not likely to be in suspension in the air in quantities sufficient to produce ignitable mixtures.

**CLEAT HANGER** – see bar hanger.

**CODE GUARD®** – RACO trademark for weatherproof cover and Hubbell WRTR device.

**COMBINATION COUPLING** – a coupling device used to join two dissimilar raceways (ie., rigid and flex).

**CONCENTRIC KNOCKOUT** – a combination knockout where all the knockouts have the same center (eg., masonry boxes).

**CONCRETE BOX** – a box intended for use in concrete and masonry block. It is not intended for installation in a floor.

**CONCRETE RING** – see concrete box.

**CONCRETE-TIGHT FITTING** – a fitting that, when assembled to conduit or tubing of the proper size, excludes concrete aggregate.

**CONDUCTOR FILL** – refers to the number of current carrying and grounding conductors permitted by the National Electrical Code (NEC) to be used in conduit and tubing.

**CONDUCTORS** – electrical term describing wires capable of carrying an electrical current or wire being used as a ground, usually sheathed with an insulating material.

**CONDUIT** – (raceway) a pipe or tube designed to enclose and protect conductors or cables from moisture and physical damage.

**CONDUIT BODY** – a portion of a conduit or tubing system that provides access through a removable cover(s) to the interior of the system at a junction of two or more sections of the system or at a terminal point of the system.

**CONDUIT CLAMP** – a fastening clamp used to mount raceways.

**CONDUIT HANGER** – a fastening means used to support conduit.

**CONDULET** – a term used to refer to malleable or aluminum conduit bodies.

**CONNECTOR** – a fitting intended to terminate a cable or raceway into a box, panel, etc.

**CORD GRIP (CG)** – a connector used to terminate flexible cords and cables into an enclosure.

**COUPLING** – a fitting intended to connect two lengths of raceway.

### D

**DAMP LOCATION** – partially protected locations such as under canopies or roofed open porches, and interior locations subject to moderate degrees of moisture, such as basements, barns, and cold-storage warehouses.

**DEVICE EARS** – ears or tabs with holes spaced to accommodate wiring devices. Device ears are found on plaster rings, switch boxes and handy boxes.

**DEVICE MOUNT** – a term commonly used to denote where the screws of a device cover attach.

**DUPLEX RECEPTACLE** – Electrical outlet device having two plug receptacles.

**DURALOY®** – is a trademark identifying a tri-coat protective finish used on iron electrical conduit fittings for standard and hazardous locations.

### E

**8B** – a 4" octagon box that is 1-1/2" deep.

**8B DEEP** – a 4" octagon box that is 2-1/8" deep.

**ELBOW** – a curved section of raceway intended to change the direction of the run.

**ELECTRICAL METALLIC TUBING (EMT OR THINWALL)** – conduit called thinwall as a contrast to the "heavywall" of rigid or IMC.

**ELECTRICAL NONMETALLIC TUBING (ENT)** – a plastic corrugated raceway of circular cross section that is resistant to moisture and chemical atmospheres, and that is flame retardant.



## GLOSSARY OF ELECTRICAL INDUSTRY TERMS

### GLOSSARY: E – K

**ELECTROPLATING** – a term used to describe the process of electrically depositing a layer of corrosion resistant material (ie., zinc) onto steel or iron parts.

**EMT** – see electrical metallic tubing.

**END RUN** – that portion of the branch circuit that extends to the last fixture or device.

**ERICKSON® COUPLING** – a registered trade name for a three-piece coupling used for rigid/IMC conduit.

**ETL** – certification mark for Intertek Testing Services. ITS tests to the standards of UL, CSA and other international standards.

**EXPOSED WORK** – boxes and branch circuits that are mounted external or exposed on walls, beams, columns, etc.

**EXTENSION RING** – used to extend the box when it is recessed back in a wall. Also provides more cubic inch capacity for the box if needed. **EXTRA DUTY** – a name applied to weatherproof while-in-use covers that have passed UL testing and are listed as “Extra-Duty”.

#### F

**FAN BOX** – a box that is UL listed for the support of a ceiling (paddle) fan.

**FINISHED WALLS** – studs, furring strips, joists, that are covered with wood paneling, drywall, plaster, Masonite or ceramic are considered finished.

**FIXTURE** – a lighting assembly that is permanently attached to a building’s wiring system, usually to a ceiling box.

**FIXTURE EARS** – ears or tabs with holes in them spaced 2- 3/4" or 3- 1/2" apart to accommodate lighting fixtures.

**FLEX** – see flexible metal conduit.

**FLEXIBLE ARMORED CABLE (BX)** – commonly called BX, a manufacturer’s trade name. It may be described as prewired flexible metallic conduit since it includes two or more current carrying conductors and can be supplied with a grounding conductor.

**FLEXIBLE METAL CONDUIT (GREENFIELD OR FLEX)** – frequently called “Greenfield,” which is the trade name of one manufacturer of this flexible steel or aluminum raceway. It is used around machinery where vibration or movement exists or where complex routing of the raceway dictates a flexible conduit.

**FLOOR BOX** – a box provided with means for flush mounting in a floor. The floor box may be used to provide power, telephone or data connections in office or store areas.

**FORM 7** – a style of conduit body that requires a clip cover.

**FORM 8** – an “expanded volume” style of conduit body that requires a two screw cover.

**FORM 35** – a style of conduit body that requires a two screw cover.

**FURRING STRIPS** – small wood strips attached to an existing wall to provide a means to attach paneling or drywall.

#### G

**GFCI** – see Ground Fault Circuit Interrupter.

**GANGABLE** – box with a side that can be removed to allow the attachment of another box for installation of multiple devices.

**GAUGE** – a term used to describe the physical size of a wire.

**GORILLA-RING®** – a RACO® concrete ring UL approved for fixture and ceiling fan support.

**GOTCHA®** – a registered HUBBELL® INC trademark for a split hinge design ring used in Hubbell strain relief cord connectors.

**GRAND SLAM™** – RACO® trademark for boxes used to terminate homeruns.

**GREENFIELD** – see flexible metal conduit.

**GRID-BRACE™** – A Hubbell Inc. trade name for a ceiling support assembly designed for ceiling fan or fixture support for suspended ceilings.

**GRIP-LOK®** – RACO® registered trademark for old work clips used to secure switch boxes with plaster ears in hollow walls.

**GROUND** – a conducting connection between an electrical circuit or equipment and the earth, or to some conducting body that serves in place of the earth. Neutral wires carry the current to ground in all circuits. An additional grounding wire, or the sheathing of metal clad cable or conduit, protects against shock from a malfunctioning tool or other device.

**GROUND FAULT CIRCUIT INTERRUPTER (GFCI)** – a safety device that senses shock hazard and automatically stops electrical flow in a circuit.

**GROUND FITTING** – a fitting used to attach a grounding conductor to a ground pipe or rod.

**GROUND LUG** – means used to connect a ground wire to a fitting, clamp, or enclosure. Generally made of copper, aluminum, brass or bronze.

**GROUND SCREW** – a UL listed screw used to secure a grounding conductor to an enclosure.

**GROUND WIRE** – the conductor used to connect the electrical equipment to ground (or earth) at the service entrance point, minimizing the

potential for electrical shock. Usually clad in green insulation or unclad.

#### H

**HANDY BOX** – box designed for enclosing devices; usually surface mounted.

**HANDY ELL** – a 90 degree elbow used either to connect two runs of conduit, or to connect a run of conduit to an enclosure.

**HAZARDOUS LOCATIONS** – are those locations where fire or explosion hazards may exist due to flammable gases or vapors, flammable liquids, combustible dust, or ignitable fibers or flyings.

**HEAVYWALL** – see rigid metal conduit.

**HICKEY** – (1) a threaded extension for support of a lighting fixture. (2) conduit bending tool.

**HIDDEN WORK** – residential and commercial construction where the electrical work is hidden by the finished wall; only the wiring device, switch, wall plate or light fixture is visible.

**HOT WIRE** – the higher voltage conductor carrying electrical current (usually black) in a 120V single phase system.

#### I

**I.D.** – inside diameter.

**IMC** – see intermediate metal conduit.

**INSULATED THROAT CONNECTORS** – insulated throat connectors have a thermoplastic line pressed or glued into the throat. This liner helps to prevent damage to the insulation when the conductors are pulled.

**INSULATION** – sheathing or jacket of nonconducting material used to cover wires.

**INTERMEDIATE METAL CONDUIT (IMC)** – a lighter weight, more economical version of rigid metal conduit. It has the same outside diameter (O.D.) with a thinner wall.

#### J

**JAKE FITTING** – a commonly used term for a screw-in type connector or coupling for flexible metal conduit.

**JIFFY BOX** – old work switch box.

**JOIST** – horizontal beams that extend from wall to wall and support the floor or ceiling – typically 2" x 10", 2" x 8" or 2" x 6".

**JUNCTION BOX** – an enclosure used for splitting circuits into different branches. In a junction box, wires connect only to each other, never to a switch, receptacle, or fixture.

#### K

**KELLEMS® GRIP** – a Hubbell Inc. trade name for a wire mesh grip.

GLOSSARY: K – R

**KILOWATT (KW)** – one thousand watts, kilowatt measures power.

**KILOWATT-HOUR** – the standard measure of electrical consumption or energy.

**KO (KNOCKOUT)** – a circular tab on the side or bottom of a box pushed back in place with a small piece of steel remaining uncut to hold the tab in place until it is removed for installation of conduit or a connector.

**KORNS® CLAMP** – A registered trademark for a right angle, parallel, or edge type conduit clamp, used to fasten conduit to I-beams.

**KWIK-BRACE®** – a RACO® new work adjustable brace that is UL approved for fixture and ceiling fan support.

**KWIK-HANG®** – a RACO® swivel fixture cover or box support hanger.

**L**

**LAMPHOLDER** – a current carrying device used to support, illuminate and protect lamps.

**LIQUIDTIGHT FLEXIBLE METAL CONDUIT** – flexible metal conduit with a plastic outer jacket that protects the electrical system against sunlight, liquids, vapors or solids.

**LIQUIDTIGHT FLEXIBLE NONMETALLIC CONDUIT (NMLT)** – liquidtight flexible nonmetal conduit is a raceway of circular cross section having a smooth inner surface with integral reinforcement within the conduit wall.

**LOAD BEARING** – walls that are an integral part of the structure that supports the joists.

**LOCKNUT** – an internally threaded barbed nut for use on conduit or fittings to prevent turning and to provide a secure joint.

**LOW VOLTAGE PARTITION** – a barrier added inside an electrical box to separate communication and power circuits. Also required where voltage levels between adjacent switches exceed 300.

**LUG** – see ground lug.

**M**

**MC CABLE** – metal clad cable. A UL classification indicating an assembly of insulated conductors with a metal cladding applied over the core and with grounding conductor(s) if the cladding is interlocked armor.

**MADISON HOLD ITS®** – Registered trademark for #977 griplok old work brackets.

**MASONRY BOX** – box installed in block walls as the blocks are being laid. The mason cuts the block to fit around the box.

**MOUNTING EARS** – ears on a box which are used to mount a box cover, device or fixture.

**MOUSE HOUSE** – a metallic or nonmetallic pedestal that can provide power or voice/data to a floor location.

**MUD RING** – all rings are called mud rings regardless of the finish wall material used. There are two styles of rings, one for mounting a switch or receptacle, and one for mounting lighting fixtures.

**MYERS® HUB** – A registered trade name used to refer to a threaded hub for rigid/IMC conduit; provides a threaded hub in a KO.

**N**

**NEC** – see National Electrical Code.

**NEMA** – National Electrical Manufacturer's Association.

**NM** – see nonmetallic sheathed cable.

**NAIL-UP STRAPS** – a fastening device used to mount raceways to wooden studs, siding, etc.

**NATIONAL ELECTRICAL CODE (NEC)** – a set of rules governing safe wiring methods drafted by the National Fire Protection Association. Local codes sometimes differ from and take precedence over NEC requirements.

**NEUTRAL WIRE** – a grounded conductor that completes a circuit by providing a return path to the source. Neutral wires are always identified by white or gray insulation.

**NEW WORK** – electrical work that is completed before the drywall or plaster is installed.

**1900** – a 4" square box that is 1-1/2" deep.

**1900 DEEP** – a 4" square box that is 2-1/8" deep.

**NIPPLE** – an externally threaded fitting intended primarily to serve as a short raceway between close-spaced enclosures.

**NONMETALLIC SHEATHED CABLE (ROMEX®)** – nonmetallic sheathed cable, popularly called by a manufacturer's trade name of Romex, is two or more insulated conductors, usually copper, protected by an outer jacket or sheath of nonmetallic material.

**NMLT** – see liquidtight flexible nonmetallic conduit.

**O**

**O.D.** – outside diameter (of conduit, etc.).

**OCTAGON BOX** – a metal box used on a wiring system, usually at an outlet. It provides means for connection to a wiring system and is intended primarily to enclose splices and wiring devices or to support a fixture or other equipment intended for similar installation.

**OFFSET CONNECTORS** – connects the conduit on the wall surface to a KO in the box where the KO and wall surface are on different planes.

**OLD WORK** – electrical work that takes place after the drywall or plaster is in place.

**OUTLET** – anything that allows access to the wiring system (eg., box, conduit body, etc).

**P**

**PAN** – see pancake box.

**PANCAKE BOX** – this round box is also referred to as a pan. The pancake box typically is the same depth as the finish wall material in which it is mounted.

**PARTITION WALLS** – walls that are nonload bearing—typically interior walls of an office building that can be removed.

**PLASTER EARS** – ears on switch boxes that prevent the box from falling back into the wall.

**PLASTER RING** – see mud ring.

**PLENUM** – a compartment or chamber to which one or more air ducts are connected to form part of the air distribution system.

**PLUG** – a threaded means used to close unused threaded openings.

**PREGALVANIZED** – the application of hot zinc to the exterior surfaces of steel.

**PRIOUT** – a circle or pear shaped tab cut into the steel with a tie (a little piece of steel uncut) holding it in place; the priout has a slot in it where a screwdriver tip is inserted to pry out the tab, providing an opening for cable.

**Q**

**QUICK-FIT™** – Keyhole mounting system.

**R**

**RACE WAY** – enclosed channel designed expressly for holding wire or cables. Conduit is a raceway; so is a duct.

**RAFTER** – parallel beams that support a roof running from the top of the joist to the peak of the roof.

**RAINTIGHT** – constructed so as to pass the UL rain test.

**RaynGuard™** – RACO® trademark for extra duty weatherproof proof metallic while in use cover.

**RAYNTITE®** – RACO® trademark for weatherproof device cover approved for use in wet locations.

**RAISED COVER** – used for a job that is surface mounted. There are a variety of raised covers that may be used depending on the type of device being installed.

**REDI-LOC®** – a registered RACO® trademark for MCI, AC and HCF cable connectors.

**RED SEAL COVER** – see raised cover.

## GLOSSARY OF ELECTRICAL INDUSTRY TERMS

### GLOSSARY: R – Z

**REDUCING BUSHING** – a threaded steel or malleable iron bushing used to make transitions from one trade size of rigid/IMC to another.

**REDUCING WASHER** – a stamped steel washer which, when used in pairs, reduces the size of an opening in an enclosure.

**RETRO-BRACE®** – a RACO® old work adjustable brace for fixture or ceiling fan support.

**RETRO-RING®** – a RACO® old work, steel mounting bracket for 4" square boxes.

**RIGID** – see rigid metal conduit.

**RIGID METAL CONDUIT (RIGID OR HEAVYWALL)** – rigid metal conduit is a raceway that provides a high degree of mechanical protection indoors or out, in dry or wet locations, exposed or concealed, in all kinds of atmospheric conditions, locations, and in hazardous locations such as explosion proof, vapor tight and dust tight.

**RIGID NONMETALLIC CONDUIT** – three types of rigid nonmetallic conduit are listed by UL: (1) rigid nonmetallic plastic Schedule 40 and 80 PVC; (2) rigid nonmetallic underground plastic; and (3) rigid nonmetallic underground other than plastic, fiber type.

**ROBERTSON HEAD SCREW** – a type of screw with a square key that is popular in Canada. A special tool (called a Robbie) is required to drive the screw.

**ROMEX®** – see nonmetallic sheathed cable.

#### S

**SEALTITE®** – A registered trademark used to refer to liquidtight metallic conduit and fittings.

**SERVICE DROP** – service entrance conductors from the utility pole to the service entrance conductors of a building that has overhead service. The utility company usually supplies and connects the service drop.

**SERVICE ENTRANCE** – the point at which electrical service enters a building

**SERVICE ENTRANCE CABLE (SE)** – service entrance cable can be compared to nonmetallic sheathed cable (Romex®) in large conductor sizes, with a weatherproof nonmetallic outer covering. It is often encased by rigid, IMC or EMT conduit for additional protection.

**SERVICE-ENTRANCE HEAD** – an enclosed fitting intended for use at service entrances where open wiring is connected to a service-entrance cable or raceway system.

**SET BACK** – the distance a box is set forward on a stud to accommodate the thickness of the finished wall and leave the face of the box flush with the front surface of the wall.

**SET SCREW CONNECTOR** – a fitting which terminates a run of conduit into an enclosure using set screws to secure the conduit.

**SET-UP BOX** – trade term for an octagon box, factory installed on a bar hanger.

**SHEATH** – material, usually an extruded plastic material applied outermost to a wire or cable. Often called a jacket.

**SHIELDED CABLE** – a cable in which the insulated conductor(s) are enclosed in a conductive mesh envelope. The mesh is intended to protect the enclosed conductor(s) from external electrical interference.

**SPLICE** – the joining of two or more conductors.

**SPLICE BOX** – see junction box.

**SPLIT BUSHING** – a term used to describe an insulating bushing, typically with a slit or hinge design, that can be installed after conductors have been pulled.

**SPLIT COUPLING** – a term used to refer to a coupling used for rigid/IMC conduit. Used where the conduits to be coupled cannot be rotated.

**STAB-IT®** – RACO® trademark for boxes with built-in MC connectors.

**STRAIN RELIEF** – a term used to describe the sealing and gripping action of a cord connector.

**STRAPS** – used to support conduit as required by Code. Beam and conduit clamps perform this function in industrial locations.

**STUD** – 2" x 4" or 2" x 6" wood or steel used to construct walls.

**STUD MOUNT** – RACO® line of mud rings with built-in stud support.

**STUD WALL** – wood or steel 2" x 4" spaced 16" or 24" on center — drywall or paneling typically is attached to the studs to finish the wall.

**SWITCH BOX** – boxes with device ears for direct mounting of switches as opposed to boxes requiring mud rings for switch mounting.

**SWIVEL LOK®** – a registered HUBBELL INC trademark for multi-position liquidtight connectors for type B liquidtight flexible nonmetallic conduit and extra flexible liquidtight nonmetallic tubing.

#### T

**THINWALL** – see electrical metallic tubing.

**TIGER BOX®** – RACO registered name for a patented switch box for old work applications.

**TILE COVER** – a series of covers designed for use with tile. These covers are for mounting switches or receptacles. Rings are available in different depths depending on the finished wall thickness.

**TKO®** – RACO trademark for combination 1/2" and 3/4" knockout. The two knockouts are off-center to enable a 1/2" locknut to engage the box for proper grounding of the electrical system.

**TOGGLE SWITCH** – a switch intended for use in general distribution and branch circuits.

**TOMBSTONE** – see mouse house.

**TRADE SIZE** – conduit is referred to by trade size according to its inside diameter.

**TYPE UF** – see underground feeder cable.

#### U

**U-CONDUIT BODY** – a term used to describe a multiconfigurable, or universal, design conduit body

**UL** – see Underwriters Laboratories.

**UNDERGROUND FEEDER CABLE** – underground feeder cable (Type UF) is a group of conductors manufactured in the form of a cable assembly similar to Type NM (Romex®) but with the physical and electrical characteristics that allow for direct burial in the earth.

**UNDERWRITERS LABORATORIES (UL)** – An independent testing agency that tests and lists electrical equipment to its established standards of safety and performance.

**UTILITY BOX** – see handy box.

#### V

**VOLT (V)** – a unit of electromotive force.

#### W

**WATT (W)** – a measure of the power an electrical device consumes; [volts x amps = watts].

**WEATHERHEAD** – a term used to refer to a service entrance head.

**WEATHERPROOF** – an enclosure constructed for outdoor use.

**WEATHERPROOF IN-USE** – term commonly used to describe covers that are designed to be rain tight with cords installed.

**WET LOCATIONS** – installations underground or in concrete slabs or masonry in direct contact with earth, and locations subject to saturation with water or other liquids, such as vehicle washing areas, and locations exposed to weather and unprotected.

**WRTR** – an electrical device that is weather resistant and tamper resistant.

**INDEX (Product Category): A – L**
**A**

Air Deflectors, E21  
 Add-A-Depth Ring, A75  
 Adjustable Mud Rings, A23, A32  
 Allure™, E18-E19  
 Armored cable connectors, B66-B68  
 AV Wall Boxes, A38

**B**

Bar Hangers, A74  
 Beam Clamps, B82  
 Bell Weatherproof, D4-D49  
 BLOCK-LOC® A69  
 Bonding Locknuts, B35  
 BOX-LOC® Bracketed Boxes, A11, A14, A17-A18, A20, A90  
 BOX-LOC® Clip, A72  
 Box Mounting Lugs, D30  
 Box Support, A70-A74

**Bushings:**

Anti-short, B65, B68, B89  
 Insulating, B37  
 Insulated, B39-B40  
 Insulated Grounding, B40  
 Reducing, B32-B33  
 Uninsulated, B38

Bullet Lampholder, D25

**C**

Cable Boxes, Nonmetallic, A87-A94  
 Cable Protector, A76, B85  
 Carpet Flanges, A102-A104, A110-A111  
 Ceiling Boxes, Plastic, A92  
 Ceiling Closure Plates, A51, D30  
 Ceiling Fan Boxes, A41-A44  
 Ceiling Pans, A43  
 Clamp Backs, B21, B43  
 Closure Plugs, D29  
 CodeGuard, C10-C11  
 Combination Couplings:  
 EMT to Flex, B18, B64-B65  
 EMT to Rigid/IMC, B17-B18, B29  
 Flex to Rigid/IMC, B29, B64  
 Connectors and Couplings for:  
 Armored Cable, B66-B68  
 EMT (thinwall) Conduit, B3-B21  
 Flexible Metal Conduit, B59-B65

Liquidtight Conduit, B44-B58  
 Metal Clad, B69-B73  
 Nonmetallic Sheathed Cable, B74-B75  
 Portable Cords & Cable, B53-B58  
 Rigid/IMC Conduit, B22-B43  
 Service Entrance, B76-B80  
 Underground Feeder Cable, B77

Concrete Rings, A41, A66  
 Conduit Clamps, B85  
 Conduit Bodies, C15-C22  
 Cord Grip Connectors, B53-B60

**Cover, Indoor:**

4" Square Steel, A21-A22  
 4-11/16" Square Steel, A32-A34  
 Concrete Boxes, A66  
 Floor Boxes, A100-A109  
 Floor Box Pedestal, A102  
 Gang Boxes, A68

Handy Boxes, A52-A54

Octagon Boxes, A45-A49

**Covers, Outdoor:**

Blank, D19, D33  
 Cluster, D22, D34  
 Switch & Outlet, D20-D21, D33

**D**

Decorator Cover, E16  
 Double Bite Saddle Connectors, B72  
 Dugout Transition Box, A39  
 Duplex Connectors, B64, B67, B71

**E**

Elbows:  
 EMT, B12, B16  
 Rigid/MC, B26-B27  
 EMT Fittings, B3-B21  
 Entrance Heads/Caps, B76  
 Exposed Work Covers  
 4" Square, A27-A28  
 4-11/16" Square, A32-A34  
 Extension Rings, Indoor:  
 4" Square, A12  
 4-11/16" Square, A29  
 Handy, A52  
 Octagon, A45-A46  
 Extensions, Outdoor, D5, D7-D8  
 Extra Duty Covers, C4-C5, C7-8, C10-C13

**F**

Fan Support Products, A41-A42, D31  
 Far Side Box Support, A72  
 Flat Covers, C6-C8  
 Flexible Metal Conduit Fittings, B59-B65  
 Floodlight Kits, D27  
 Floor Boxes:  
 Quick Selection Guide, A100-A101  
 Concrete, A102, A105, A108-A109  
 Wood Floor, A105

**G**

Gang Boxes, A63  
 Garden Lights, D28  
 Gaskets:  
 Weatherproof Covers, C14, D30  
 GRAND-SLAM™, A40  
 GRID-BRACE™, A43  
 GRIP-LOK™, A75  
 Ground Clamps, B81  
 Ground Bushings, B40  
 Ground Clips, Pigtails, Screws, A77  
 Grounding Liquidtight Connectors, B47-B49

**H**

Halogen Lampholders, D23  
 Handy Boxes, Covers & Extensions, A52-A54  
 Handy ELLs, B12, B27  
 Hangers, Conduit, B82  
 Hinged Mud Rings, A25  
 Hubs, Rigid Conduit, B31  
 HVAC Covers, E20-E21

**I**

IMC/Rigid Fittings, B22-B36  
 Indenter Fittings, B9  
 In-Use Covers, C4-C5, C7-C12, D10

**K**

Knockout Seals, B84  
 Kits / Combos:  
 Flip Cover, D18  
 Light, D26-D27  
 In-Use, C9-C11



**INDEX (Product Category): M – Z**
**L**

Lampholders, Outdoor, D23-D26, D34  
 Large Capacity Boxes, A37-A38  
 Life Safety Support Products, A35-A36  
 LED, D24-D25  
 Lighting:  
   Garden Lights, D28  
 Liquidtight Connectors, B44-B58  
 Locknuts, B34-B36  
 Low Profile Covers, C9-C13  
 Low Voltage Partitions, A26, A33, A36, A38,  
   A62, A64, A55, A58, A67-A68

**M**

Masonry Boxes, A67-A69  
 Masque, E14-E15, E17  
 Metal Clad Cable Connectors, B69-B73  
 Metal Wallplates, E2-E13  
 Multiconfiguration Covers, C4-C8, C12-C13,  
   D9, D13-D14, D17

**N**

Nipples:  
   Uninsulated, B89  
   Offset, B89  
 Nonmetallic Floor Boxes & Covers, A103-A104,  
   A110  
 Nonmetallic Sheathed Cable Fittings, B78-B79  
 Nonmetallic Wallplates, E14-E18  
 Nonmetallic Weatherproof Boxes, D31-D32  
 Nonmetallic Weatherproof Covers, C4-C10, D33  
 Nonmetallic Weatherproof Lighting, D34

**O**

Octagon Boxes & Covers, Steel, A45-A51  
 Offset Fittings, B11, B15, B89  
 Old Work:  
   Metallic Boxes, A13, A44, A55-A59  
   Plastic Boxes, A87-A94  
   RETRO-RING®, A36  
   Support, AX

**Outdoor:**

Boxes, D4-D8, D31-D32  
 Covers, C4-C13, D9-D22  
 Lighting, D23-D28, D33

**P**

Pans, A43-A44  
 Partitions:  
   Steel, A26, A38, A55, A33, A55, A62, A64  
 Photocell, D29  
 Plenum Boxes & Covers, A15  
 Portable Lampholders, D25  
 Protector Plates, A76

**R**

RAYNTITE® In-Use Covers, D10  
 Rayntite, Outdoor Covers, D15  
 Reducing:  
   Bushings, B32-B33  
   Washers, B87-B88  
 RETRO-RING®, A36  
 Round Box Adapter, C14

**S**

Sealing Compound, B90  
 Sealing Locknuts, B38  
 Sealing Washers, Metallic, B88  
 Service Entrance Fittings, B76-B80  
 Service Pedestals, A112  
 Spike Light, D25  
 Square Boxes:  
   4" Plastic, A90  
   4" Steel, A9-A22  
   4-11/16" Steel, A29-A31  
 STAB-IT®, A19  
 STAB-IT®II, A30  
 STAB-IT® Connector, A39-A40

**Straps, Mounting:**

EMT, B20-B21  
 Nail-up, B73  
 Rigid/IMC, B41-B43  
 Service Entrance, B76-B80  
 Strain-relief Connectors, B56-B58  
 Stud Mount Mud Rings, A24  
 Switch Boxes:  
   Plastic, A87, A89-A90  
   Steel, A54-A61  
 SWIVEL-LOC Connectors, B51-B52

**T**

TayMac Weatherproof, C4-C22  
 Thinwall (EMT) Fittings, B3-B21  
 Thermostat Covers, E20  
 Three-piece Couplings, B28  
 Thru-wall Boxes, A9  
 Tile Covers, A21-A22  
 Transition Box, A39

**U**

Underground Feeder Connectors, B79

**V**

Vapor Barrier Boxes, A83  
 Voltage Partitions:  
   A26, A33, A36, A38, A62, A64, A55, A58,  
   A67-A68

**W**

Watertight SEU Connectors, B78  
 Weatherproof Boxes & Covers, C4-C13,  
   D4-D34  
 In-Use Covers, C4-C5, C7-C13, D10



INDEX (Catalog Number)

38RAC..... B69	189SM..... A10	236..... A14	257HS..... A31	296-1..... A41
40RAC..... B69	190..... A9	238..... A14	257HWP..... A31	297..... A44
110..... A45	191..... A9	239..... A15	257M..... A31	299..... A41
111..... A45	192..... A9	240..... A20	257PL..... A15	324..... A46
112..... A45	192SM..... A9	241..... A18	257SM..... A31	325..... A48
119..... A45	193..... A11	242..... A20	258..... A31	326..... A49
125..... A46	196..... A11	243..... A18	258PL..... A15	355..... A60
125PL..... A15	199..... A11	244MS..... A19	258SM..... A31	400..... A55
126..... A46	203PL..... A15	244MSCM..... A19	258PL..... A15	404..... A61
127..... A46	204..... A9	244MSCMHF..... A19	258SM..... A31	404SP..... A61
127TS..... A46	205RAC..... A36	244MSHF..... A19	259..... A31	405..... A61
128..... A46	206RAC..... A36	244S..... A19	259PL..... A15	410..... A59
130..... A46	208..... A11	244SCM..... A19	260..... A37	418..... A61
131RAC..... A46	211..... A20	245..... A29	260H..... A37	420..... A55
145..... A49	213..... A17	246..... A29	262..... A29	440..... A57
146..... A49	213HWP..... A17	247..... A29	263..... A37	445..... A59
150..... A49	218..... A17	248..... A18	264PL..... A15	471..... A59
153..... A48	223..... A20	248HS..... A19	265..... A31	473..... A59
155..... A48	224..... A17	248HWP..... A18	265PL..... A15	487..... A59
157..... A48	225..... A20	248MS..... A19	266..... A31	500..... A55
158..... A46	226..... A15	248MSHF..... A19	270RAC..... A66	501..... A55
160..... A49	227..... A11	248S..... A19	271..... A66	502..... A55
161..... A46	228..... A20	249..... A18	272..... A66	503..... A55
161SP..... A46	229..... A17	250..... A29	273..... A66	504..... A55
164..... A49	231..... A13	250PL..... A15	274..... A66	505..... A55
165..... A47	231PL..... A15	251..... A14	275..... A66	506..... A55
165PL..... A15	232..... A13	252MS..... A30	276..... A66	508..... A55
166..... A47	232F..... A14	252MSCM..... A30	277..... A66	509..... A55
167..... A47	232H..... A14	252MSCMHF..... A30	278..... A66	512..... A59
167TS..... A47	232HS..... A14	252MSHF..... A30	279..... A66	517..... A59
175..... A49	232HWP..... A14	252S..... A30	280..... A66	518..... A57
176..... A49	232M..... A14	252SCM..... A30	284..... A41	518S..... A58
177..... A49	232MS..... A19	254..... A31	284..... A66	519..... A59
181..... A10	232MSCM..... A19	254S..... A30	287..... A43	522..... A57
185..... A9	232MSCMHF..... A19	254SCM..... A30	290..... A44	523..... A57
189..... A10	232MSHF..... A19	255..... A16	292..... A43	523S..... A58
189F..... A11	232S..... A19	255..... A37	293..... A43	524..... A57
189H..... A11	232SCM..... A19	256..... A16	294..... A41	524S..... A58
189HS..... A11	232SLD..... A13	256..... A37	294-1..... A41	526..... A57
189HWP..... A11	232SM..... A19	257..... A31	295..... A41	528..... A59
189M..... A11	233..... A13	257F..... A31	295-1..... A41	529..... A59
189RAC..... A10	235..... A14	257H..... A31	296..... A41	531..... A59







# INDEX

## INDEX (Catalog Number)

540 .....A59	676 .....A68	707RAC.....A26, A33, A36	778 .....A22	822 .....A64
545 .....A59	678 .....A53	708 .....A26, A33	778B.....A24	822AMR.....A23
560 .....A56	680 .....A54	709 .....A26, A33	778H.....A26	823 .....A64
561 .....A56	681 .....A54	722 .....A51	779 .....A22	824 .....A64
562 .....A56	681SP.....A54	722PL.....A15	779B.....A24	825 .....A64
564 .....A60	683 .....A54	724 .....A51	779H.....A26	826 .....A64
565 .....A56	683SP.....A54	725 .....A51	780 .....A22	827 .....A64
567 .....A60	685 .....A54	727 .....A50	781 .....A22	828 .....A64
570RAC.....A57	685SP.....A54	729 .....A51	782 .....A21	829 .....A33
574 .....A57	686 .....A62	731 .....A51	785 .....A21	831C.....A27
590 .....A56	687 .....A62	732 .....A50	786 .....A21	832 .....A32
591 .....A56	688 .....A68	737 .....A50	786B.....A69	832PL.....A15
592 .....A56	689 .....A68	752 .....A21	787 .....A21	832SP.....A32
596 .....A59	689B.....A69	753 .....A21	791 .....A22	833 .....A32
599 .....A55	690 .....A67	754 .....A21	792 .....A38	834 .....A64
600 .....A57	691 .....A67	756 .....A26	793 .....A38	835 .....A33
601 .....A60	692 .....A67	756AMR.....A23	794 .....A38	836 .....A64
601G.....A60	693 .....A67	757 .....A26	795 .....A22	840 .....A33
603 .....A60	694 .....A67	758 .....A26	796 .....A22	841 .....A33
604 .....A57	695 .....A67	759 .....A26	796B.....A69	843HAMR.....A25
605 .....A60	695B.....A69	762 .....A15	800C.....A28	844 .....A65
611 .....A52	696 .....A67	767 .....A26	801C.....A28	845 .....A65
618S.....A58	696B.....A69	768 .....A21	803C.....A28	846 .....A65
623S.....A58	697 .....A67	768AMR.....A23	804C.....A28	847 .....A65
624S.....A58	697B.....A69	768HAMR.....A25	805C.....A28	848 .....A65
640 .....A53	698 .....A67	768B.....A24	806C.....A28	855 .....A33
650 .....A52	698B.....A69	768H.....A26	807C.....A28	855 .....A36
650CSA.....A52	699 .....A67	769 .....A22	808C.....A28	855 .....A38
653 .....A52	700F.....A77	769AMR.....A23	808U.....A28	856 .....A34
655 .....A52	701AJT.....A77	769HAMR.....A25	809C.....A28	857 .....A34
660 .....A52	701F.....A77	769B.....A24	809U.....A28	858 .....A34
661 .....A52	701FD.....A77	769H.....A26	810C.....A28	859 .....A33
661SP.....A52	701FG.....A77	771 .....A21	811C.....A28	859 .....A36
662 .....A52	701R.....A77	772 .....A21	811U.....A28	859 .....A38
662SP.....A52	701RD.....A77	772B.....A24	812C.....A28	860 .....A53
663 .....A52	702AJT.....A77	772H.....A26	813C.....A28	860RD.....A53
665 .....A52	702F.....A77	773 .....A21	814C.....A28	861 .....A53
666 .....A52	702FD.....A77	773B.....A24	818 .....A33	862 .....A53
670RAC.....A53	702R.....A77	773H.....A26	818HAMR.....A25	863 .....A53
671 .....A53	702RD.....A77	774 .....A21	819 .....A33	864 .....A53
674 .....A53	703 .....A50	775 .....A21	820 .....A33	865 .....A53
675 .....A68	706RAC.....A26, A33, A36	777 .....A22	821 .....A64	867 .....A53



INDEX (Catalog Number)

868AMR.....	A32	911-9.....	A10	977.....	A76	1043.....	B84	1154.....	B32
869AMR.....	A32	911-9.....	A35	978.....	A72	1044.....	B84	1155.....	B32
870RAC.....	A34	9112R.....	A74	978.....	A90	1044.....	B84	1156.....	B32
871.....	A54	9112RL.....	A74	979.....	A34	1045.....	B84	1160.....	B33
872.....	A54	9118R.....	A74	980.....	A72	1045.....	B84	1161.....	B33
873.....	A54	915C.....	A28	980.....	A90	1046.....	B84	1162.....	B33
876.....	A34	918.....	A66	981.....	A38	1046.....	B84	1168.....	B33
878.....	A34	920.....	A75	982.....	A78	1048.....	B84	1169.....	B33
880.....	A53	922.....	A75	983.....	A78	1048.....	B84	1175.....	B33
881RAC.....	A34	926.....	A42	984.....	A78	1102RAC.....	B38	1176.....	B33
885.....	A33	926-1.....	A42	985.....	A38	1103.....	B38	1177.....	B33
887.....	A34	931.....	A43	986.....	A38	1104.....	B38	1185.....	B33
888.....	A34	936.....	A42	987.....	A76	1105.....	B38	1186.....	B33
890.....	A66	937.....	A42	988.....	A78	1106.....	B38	1192.....	B34
892.....	A66	939.....	A42	989.....	A38	1108.....	B38	1193.....	B34
893.....	A66	941.....	A63	989ST.....	A39, A40	1110.....	B38	1194.....	B34
894KH.....	A50	942.....	A63	991.....	A75	1112.....	B38	1195.....	B34
897KH.....	A26	943.....	A63	992.....	A78	1114.....	B38	1196.....	B34
898.....	A32	944.....	A63	993.....	A78	1116.....	B38	1197.....	B34
899B.....	A69	945.....	A63	994.....	A78	1126.....	B39	1198.....	B34
902C.....	A28	949.....	A64	996.....	A78	1127.....	B39	1199.....	B34
906C.....	A28	949.....	A67	999.....	A76	1128.....	B39	1200.....	B34
907C.....	A28	951.....	A63	1001.....	B34	1129.....	B39	1201.....	B34
911-1.....	A16	952.....	A63	1002.....	B34	1132.....	B39	1202.....	B36
911-1.....	A35	953.....	A63	1003.....	B34	1133.....	B39	1203.....	B36
911-11.....	A32	954.....	A63	1004.....	B34	1134.....	B39	1204.....	B36
911-11.....	A36	955.....	A63	1005.....	B34	1135.....	B39	1205.....	B36
911-12.....	A31	959.....	A34	1006.....	B34	1136.....	B39	1206.....	B36
911-12.....	A35	960.....	A67	1008.....	B34	1138.....	B39	1207.....	B36
911-15.....	A35	961.....	A76	1010.....	B34	1141.....	B32	1208.....	B36
911-16.....	A33	962.....	A76	1012.....	B34	1142.....	B32	1209.....	B36
911-16.....	A36	963.....	A76	1014.....	B34	1143.....	B32	1210.....	B36
911-17.....	A33	965.....	A67	1016.....	B34	1144.....	B32	1211.....	B36
911-17.....	A36	969.....	A76	1020.....	B34	1145.....	B32	1212.....	B40
911-19.....	A36	970RAC.....	A76	1024.....	B34	1146.....	B32	1213.....	B40
911-2.....	A16	971.....	A62	1037.....	B84	1147.....	B32	1214.....	B40
911-2.....	A35	971.....	A67	1039.....	B84	1148.....	B32	1215.....	B40
911-3.....	A35	972.....	A34	1040.....	B84	1149.....	B32	1216.....	B40
911-4.....	A14, A35	973.....	A78	1041.....	B84	1150.....	B32	1218.....	B40
911-6.....	A35	974.....	A64	1042.....	B84	1151.....	B32	1219.....	B34
911-8.....	A21	975.....	A78	1042.....	B84	1152.....	B32	1222.....	B40
911-8.....	A36	976.....	A76	1043.....	B84	1153.....	B32	1223.....	B40



# INDEX

## INDEX (Catalog Number)

1224 ..... B40	1334 ..... B41	1370 ..... B87	1433 ..... B18	1520 ..... B28
1225 ..... B40	1335 ..... B41	1371 ..... B87	1433 ..... B29	1524 ..... B28
1226 ..... B40	1336 ..... B41	1372 ..... B87	1434 ..... B18	1530RAC ..... B30
1228 ..... B40	1337 ..... B20	1373 ..... B87	1434 ..... B29	1532RAC ..... B30
1230 ..... B40	1337 ..... B41	1374 ..... B87	1440B35 ..... B65	1534RAC ..... B30
1232RAC ..... B40	1338 ..... B41	1375 ..... B87	1440B35 ..... B68	1536RAC ..... B30
1234 ..... B40	1339 ..... B20	1376 ..... B87	1440B35 ..... B89	1552 ..... B29
1236 ..... B40	1339 ..... B41	1377 ..... B87	1441B35 ..... B65	1552 ..... B64
1242 ..... B35	1340 ..... B20	1378 ..... B87	1441B35 ..... B68	1553 ..... B29
1243 ..... B35	1340 ..... B41	1379 ..... B87	1441B35 ..... B89	1553 ..... B64
1244 ..... B35	1341 ..... B20	1380 ..... B87	1442B20 ..... B65	1554 ..... B29
1245 ..... B35	1341 ..... B41	1381 ..... B87	1442B20 ..... B68	1554 ..... B64
1246 ..... B35	1342 ..... B21	1382 ..... B87	1442B20 ..... B89	1662 ..... B89
1248 ..... B35	1342 ..... B43	1383 ..... B87	1443B16 ..... B65	1663 ..... B89
1250 ..... B35	1343 ..... B21	1384 ..... B87	1443B16 ..... B68	1664 ..... B89
1252 ..... B35	1343 ..... B43	1385 ..... B87	1443B16 ..... B89	1665 ..... B89
1254 ..... B35	1344 ..... B21	1386 ..... B87	1447B35 ..... B65	1666 ..... B89
1256 ..... B35	1344 ..... B43	1387 ..... B87	1447B35 ..... B68	1668 ..... B89
1262DC ..... B40	1345 ..... B21	1389 ..... B87	1447B35 ..... B89	1670 ..... B89
1263DC ..... B40	1345 ..... B43	1390 ..... B87	1452 ..... B89	1672 ..... B89
1264DC ..... B40	1346 ..... B21	1391 ..... B87	1453 ..... B89	1674 ..... B89
1290 ..... B40	1346 ..... B43	1392 ..... B87	1454 ..... B89	1676 ..... B89
1292RAC ..... B40	1347 ..... B21	1393 ..... B87	1455 ..... B89	1702 ..... B31
1294 ..... B40	1347 ..... B43	1394 ..... B87	1456 ..... B89	1703 ..... B31
1296 ..... B40	1348 ..... B21	1402 ..... B37	1458 ..... B89	1704 ..... B31
1301 ..... B43	1348 ..... B43	1403 ..... B37	1482 ..... B18	1705 ..... B31
1302 ..... B43	1349 ..... B21	1404 ..... B37	1482 ..... B65	1706 ..... B31
1303 ..... B43	1349 ..... B43	1405 ..... B37	1483 ..... B18	1708 ..... B31
1304 ..... B43	1350 ..... B21	1406 ..... B37	1483 ..... B65	1710 ..... B31
1305 ..... B43	1350 ..... B43	1408 ..... B37	1484 ..... B18	1712 ..... B31
1306 ..... B43	1351 ..... B21	1410 ..... B37	1484 ..... B65	1714 ..... B31
1308 ..... B43	1352 ..... B17	1410USP ..... B37	1494B25 ..... B86	1716 ..... B31
1310 ..... B21	1352 ..... B29	1412 ..... B37	1502 ..... B28	1722 ..... B26
1310 ..... B43	1353 ..... B17	1412USP ..... B37	1503 ..... B28	1723 ..... B26
1312 ..... B21	1353 ..... B29	1414 ..... B37	1504 ..... B28	1753 ..... B35
1312 ..... B43	1354 ..... B17	1414USP ..... B37	1505 ..... B28	1754 ..... B35
1314 ..... B21	1354 ..... B29	1416 ..... B37	1506 ..... B28	1762 ..... B11
1314 ..... B43	1365 ..... B87	1416USP ..... B37	1508 ..... B28	1763 ..... B11
1316 ..... B21	1366 ..... B87	1420 ..... B37	1510 ..... B28	1802 ..... B24
1316 ..... B43	1367 ..... B87	1424 ..... B37	1512 ..... B28	1803 ..... B24
1332 ..... B41	1368 ..... B87	1432 ..... B18	1514 ..... B28	1804 ..... B24
1333 ..... B41	1369 ..... B87	1432 ..... B29	1516 ..... B28	1805 ..... B24





INDEX (Catalog Number)

1806	B24	2011FBAR	A94	2094	B20	2156	B4	2205	B61
1808	B24	2022	B4	2095	B20	2156	B23	2206	B61
1810	B24	2022-8	B4	2096	B20	2160	B3	2208	B61
1812	B24	2022FBAR	A94	2098	B20	2160	B22	2210	B61
1814	B24	2023	B4	2101	B59	2162	B3	2212	B61
1816	B24	2023-8	B4	2101DB	B60, B72	2162RAC	B22	2214	B61
1822	B25	2023FBAR	A94	2102	B59	2164	B3	2216	B61
1823	B25	2024	B4	2102-8	B59	2164	B22	2221	B62
1824	B25	2024-8	B4	2103	B59	2166	B3	2222	B62
1825	B25	2025	B4	2103-8	B59	2166	B22	2232	B42
1826	B25	2026	B4	2104	B59	2172RAC	B19	2233	B42
1828	B25	2028	B4	2104-8	B59	2173RAC	B19	2234	B42
1830	B25	2028FBAR	A94	2105	B59	2174RAC	B19	2235	B42
1832	B25	2041	B82	2106	B59	2175RAC	B19	2236	B42
1834	B25	2041TH	B82	2108	B59	2176RAC	B19	2238	B42
1836	B25	2052	B82	2110	B59	2178RAC	B19	2239	B20
1852	B18	2052TH	B82	2112	B59	2180RAC	B37	2239	B42
1853	B18	2053	B82	2114	B59	2180RAC	B19	2240	B20
1941	B18	2053TH	B82	2116	B59	2182RAC	B37	2240	B42
1941	B64	2054	B82	2122	B3	2182RAC	B19	2241	B20
1942	B18	2054TH	B82	2122-8	B3	2184RAC	B37	2241	B42
1942	B64	2055	B82	2123	B3	2184RAC	B19	2242	B20
1942-8	B18	2055TH	B82	2123-8	B3	2186RAC	B37	2242	B42
1942-8	B64	2056	B8	2124	B3	2186RAC	B19	2245-2	B42
1943	B18	2056TH	B82	2124-8	B3	2191	B62	2246-2	B42
1943	B64	2057	B82	2125	B3	2191	B66	2252	B21
1943-8	B18	2058	B82	2126	B3	2192	B62	2252	B65
1943-8	B64	2058TH	B82	2128	B3	2192	B66	2253	B21
1952	B15	2059	B82	2140	B3	2193	B62	2253	B65
1953	B15	2060	B82	2140	B22	2193	B66	2254	B21
1992	B9	2061	B82	2142	B3	2194	B62	2254	B65
1993	B9	2072	B16	2142	B22	2194	B66	2272	B63
2000W	E14	2073	B16	2144	B3	2195RAC	B62	2273	B63
2002	B3	2081	B68, B73	2144	B22	2196RAC	B62	2281	B63
2002-8	B3	2082	B20	2146	B3	2198	B62	2282	B63
2003	B3	2083	B20	2146	B22	2201	B61	2283	B63
2003-8	B3	2084	B20	2150	B4	2202	B61	2302EC	B83
2004	B3	2085	B20	2150	B23	2202-8	B61	2303EC	B83
2004-8	B3	2086	B20	2152	B4	2203	B61	2304EC	B83
2005	B3	2088	B20	2152	B23	2203-8	B61	2305EC	B83
2006	B3	2092	B20	2154	B4	2204	B61	2306EC	B83
2008	B3	2093	B20	2154	B23	2204-8	B61	2308EC	B83





# INDEX

## INDEX (Catalog Number)

2310EC.....	B83	2452-8.....	B88	2602.....	B10	2670.....	B11	2801.....	B70
2312EC.....	B83	2453.....	B50	2602W.....	E17	2670W.....	E17	2802.....	B14
2322PC.....	B83	2453.....	B88	2603.....	B10	2672.....	B11	2803.....	B14
2323PC.....	B83	2453-8.....	B50	2604.....	B10	2672W.....	E17	2804.....	B14
2324PC.....	B83	2453-8.....	B88	2605.....	B10	2673W.....	E17	2805.....	B14
2325PC.....	B83	2454.....	B50	2606.....	B10	2674.....	B11	2806.....	B14
2326PC.....	B83	2454.....	B88	2608.....	B10	2676.....	B11	2808.....	B14
2328PC.....	B83	2454-8.....	B50	2611.....	B64	2691.....	B62	2822.....	B13
2330PC.....	B83	2454-8.....	B88	2611.....	B67	2691.....	B67	2823.....	B13
2332PC.....	B83	2455.....	B50	2611.....	B71	2692.....	B62	2824.....	B13
2334PC.....	B83	2455.....	B88	2622.....	B11	2692.....	B67	2825.....	B13
2336PC.....	B83	2456.....	B50	2623.....	B11	2693.....	B62	2826.....	B13
2352RC.....	B83	2456.....	B88	2624.....	B11	2693.....	B67	2828.....	B13
2353RC.....	B83	2458.....	B50	2625.....	B11	2694.....	B62	2832.....	B14
2354RC.....	B83	2458.....	B88	2626.....	B11	2695.....	B62	2833.....	B14
2355RC.....	B83	2462.....	B77	2628.....	B11	2696.....	B62	2834.....	B14
2356RC.....	B83	2468.....	B78	2632.....	B63	2698.....	B62	2835.....	B14
2358RC.....	B83	2475.....	B78	2634.....	B10	2702.....	B17	2836.....	B14
2360RC.....	B83	2485.....	B78	2635.....	B10	2703.....	B17	2838.....	B14
2362RC.....	B83	2486.....	B78	2636.....	B10	2709.....	A77	2840.....	B14
2364RC.....	B83	2498.....	B78	2637.....	B10	2709.....	B85	2842.....	B14
2366RC.....	B83	2500.....	B82	2638.....	B10	2709-9.....	A77	2844.....	B14
2400W.....	E14	2500I.....	E16	2639.....	B10	2709-9.....	B85	2846.....	B14
2402.....	B76	2500W.....	E16	2640.....	B10	2710.....	A77	2853.....	B79
2403.....	B76	2504.....	B81	2642.....	B10	2710.....	B85	2854.....	B79
2404.....	B76	2505.....	B81	2644.....	B10	2711.....	B75	2855.....	B79
2405.....	B76	2506.....	B81	2646.....	B10	2712.....	A77	2856.....	B79
2406.....	B76	2507.....	B81	2648.....	B10	2712.....	B85	2858.....	B79
2408.....	B76	2508.....	B81	2649.....	B10	2712-9R.....	A77	2863.....	B75
2410.....	B76	2510.....	B82	2650.....	B10	2712-9R.....	B85	2863.....	B79
2412.....	B76	2511.....	B63	2651.....	B10	2712R.....	A77	2864.....	B75
2414.....	B76	2511.....	B66	2652.....	B27	2712R.....	B85	2864.....	B79
2416.....	B76	2512.....	B81	2653.....	B27	2713.....	B85	2870.....	B13
2430.....	B76	2513.....	B81	2654.....	B27	2713R.....	A77	2872.....	B13
2440.....	B76	2520LA.....	E16	2655.....	B27	2713R.....	B85	2874.....	B13
2441.....	B80	2520W.....	E16	2661.....	B64	2752.....	B12	2876.....	B13
2442.....	B80	2522.....	B81	2661.....	B66	2753.....	B12	2890.....	B14
2443.....	B80	2524.....	B82	2661.....	B71	2754.....	B12	2892.....	B14
2444.....	B80	2536.....	B82	2661.....	B75	2762.....	B12	2894.....	B14
2452.....	B50	2538.....	B82	2662.....	B27	2763.....	B12	2896.....	B14
2452.....	B88	2570W.....	E16	2663.....	B27	2772W.....	E17	2902.....	B5
2452-8.....	B50	2600W.....	E17	2664RAC.....	B27	2800.....	B70	2902-8.....	B5



INDEX (Catalog Number)

2902RT ..... B7	2928RT ..... B8	3202DB..... B60	3312DB..... B60	3425 ..... B45
2903 ..... B5	2940 ..... B5	3202DB..... B72	3312DB..... B72	3425-8..... B45
2903-8..... B5	2940RT ..... B7	3203 ..... B61	3314 ..... B59	3425DC..... B46
2903RT ..... B7	2942 ..... B5	3203-8..... B61	3314DB..... B60	3426 ..... B45
2904 ..... B5	2942RT ..... B7	3203DB..... B60	3314DB..... B72	3426-8..... B45
2904-8..... B5	2944 ..... B5	3203DB..... B72	3316 ..... B59	3426DC..... B46
2904RT ..... B7	2944RT ..... B7	3204 ..... B61	3316DB..... B60	3428 ..... B45
2905 ..... B5	2946 ..... B5	3204DB..... B60	3316DB..... B72	3428DC..... B46
2905RT ..... B7	2946RT ..... B7	3204DB..... B72	3401 ..... B44	3430 ..... B45
2906 ..... B5	2950 ..... B6	3205 ..... B61	3401-8..... B44	3432 ..... B45
2906RT ..... B7	2950RT ..... B8	3206 ..... B61	3401DC..... B46	3436 ..... B45
2908 ..... B5	2952 ..... B6	3208 ..... B61	3402 ..... B44	3441 ..... B44
2908RT ..... B7	2952RT ..... B8	3210 ..... B61	3402-8..... B44	3442 ..... B44
2912 ..... B5	2954 ..... B6	3212 ..... B61	3402DC..... B46	3443 ..... B44
2912-8..... B5	2954RT ..... B8	3214 ..... B61	3403 ..... B44	3444 ..... B44
2912RT ..... B7	2956 ..... B6	3216 ..... B61	3403-8..... B44	3445 ..... B44
2913 ..... B5	2956RT ..... B8	3301 ..... B59	3403DC..... B46	3446 ..... B44
2913-8..... B5	2960 ..... B5	3301DB..... B60, B72	3404 ..... B44	3448 ..... B44
2913RT ..... B7	2960RT ..... B7	3302 ..... B59	3404-8..... B44	3511-3..... B47
2914 ..... B5	2962 ..... B5	3302-8..... B59	3404DC..... B46	3511DC..... B46
2914-8..... B5	2962RT ..... B7	3302DB..... B60	3405 ..... B44	3511RAC..... B44
2914RT ..... B7	2964 ..... B5	3302DB..... B72	3405DC..... B46	3512-3..... B47
2915 ..... B5	2964RT ..... B7	3303 ..... B59	3406 ..... B44	3512-8..... B44
2915RT ..... B7	2966 ..... B5	3303-8..... B59	3406DC..... B46	3512DC..... B46
2916 ..... B5	2966RT ..... B7	3303DB..... B60	3408 ..... B44	3512RAC..... B44
2916RT ..... B7	3002 ..... B22	3303DB..... B72	3408DC..... B46	3513-3..... B47
2918 ..... B5	3003 ..... B22	3304 ..... B59	3410 ..... B44	3513-8..... B44
2918RT ..... B7	3004 ..... B22	3304-8..... B59	3412 ..... B44	3513DC..... B46
2922 ..... B6	3005 ..... B22	3304DB..... B60	3414 ..... B44	3513RAC..... B44
2922-8..... B6	3006 ..... B22	3304DB..... B72	3416 ..... B44	3514-3..... B47
2922RT ..... B8	3008 ..... B22	3305 ..... B59	3421 ..... B45	3514-8..... B44
2923 ..... B6	3022 ..... B23	3305DB..... B60	3421-8..... B45	3514DC..... B46
2923-8..... B6	3023 ..... B23	3305DB..... B72	3421DC..... B46	3514RAC..... B44
2923RT ..... B8	3024 ..... B23	3306 ..... B59	3422 ..... B45	3515-3..... B47
2924 ..... B6	3025 ..... B23	3306DB..... B60	3422-8..... B45	3515DC..... B46
2924-8..... B6	3026 ..... B23	3306DB..... B72	3422DC..... B46	3515RAC..... B44
2924RT ..... B8	3028 ..... B23	3308 ..... B59	3423 ..... B45	3516 ..... B44
2925 ..... B6	3201 ..... B61	3308DB..... B60	3423-8..... B45	3516-3..... B47
2925RT ..... B8	3201DB..... B60	3308DB..... B72	3423DC..... B46	3516DC..... B46
2926 ..... B6	3201DB..... B72	3310 ..... B59	3424 ..... B45	3518 ..... B44
2926RT ..... B8	3202 ..... B61	3310DB..... B60, B72	3424-8..... B45	3518-3..... B47
2928 ..... B6	3202-8..... B61	3312 ..... B59	3424DC..... B46	3518DC..... B46





# INDEX

## INDEX (Catalog Number)

3520..... B44	3554DC..... B46	3722-4..... B54	3782-2..... B53	4600RAC..... D14
3520-3..... B47	3556..... B45	3723-0..... B54	3782-5..... B53	4699-5..... B57
3520DC..... B46	3556-3..... B49	3723-1..... B54	3782-6..... B53	4700-5..... B57
3522..... B44	3556DC..... B46	3723-2..... B54	3792-1..... B56	4700-6..... B57
3522-3..... B47	3561..... B44	3723-3..... B54	3792-2..... B56	4702-1..... B57
3522DC..... B46	3561-3..... B48	3723-4..... B54	3792-3..... B56	4702-3..... B57
3524..... B44	3562..... B44	3723-5..... B54	3792-4..... B56	4702-4..... B57
3524-3..... B47	3562-3..... B48	3723-6..... B54	3792-5..... B56	4702-5..... B57
3524DC..... B46	3563..... B44	3724-0..... B54	3792-6..... B56	4702-6..... B57
3526..... B44	3563-3..... B48	3724-1..... B54	3793-1..... B56	4703-1..... B57
3526-3..... B47	3564..... B44	3724-2..... B54	3793-2..... B56	4703-2..... B57
3526DC..... B46	3564-3..... B48	3724-3..... B54	3793-3..... B56	4703-3..... B57
3541-3..... B49	3565..... B44	3724-4..... B54	3793-4..... B56	4703-4..... B57
3541DC..... B46	3565-3..... B48	3724-5..... B54	3793-5..... B56	4704-3..... B57
3541RAC..... B45	3566..... B44	3725-0..... B54	3793-6..... B56	4704-5..... B57
3542..... B45	3566-3..... B48	3725-1..... B54	3794-0..... B55	4704-6..... B57
3542-3..... B49	3568..... B44	3725-2..... B54	3794-1..... B55	4714..... B74
3542-8..... B45	3568-3..... B48	3725-3..... B54	3794-2..... B55	4721..... B51
3542DC..... B46	3702-1..... B53	3725-4..... B54	3794-3..... B55	4722..... B51
3543..... B45	3702-2..... B53	3725-5..... B54	3794-4..... B55	4722-8..... B51
3543-3..... B49	3702-3..... B53	3726-0..... B54	3795-0..... B55	4723..... B51
3543-8..... B45	3702-4..... B53	3726-1..... B54	3795-1..... B55	4723-8..... B51
3543DC..... B46	3702-5..... B53	3726-2..... B54	3795-2..... B55	4724..... B51
3544..... B45	3702-6..... B53	3726-3..... B54	3795-3..... B55	4724-8..... B51
3544-3..... B49	3703-1..... B53	3745-0..... B55	3795-4..... B55	4725..... B51
3544-8..... B45	3703-2..... B53	3745-1..... B55	3795-5..... B55	4726..... B51
3544DC..... B46	3703-3..... B53	3745-2..... B55	3795-6..... B55	4728..... B51
3545..... B45	3703-4..... B53	3745-3..... B55	3796-0..... B55	4731..... B51
3545-3..... B49	3703-5..... B53	3745-4..... B55	3796-1..... B55	4732..... B51
3545DC..... B46	3703-6..... B53	3746-0..... B55	3796-2..... B55	4732-8..... B51
3546..... B45	3704-1..... B53	3746-1..... B55	3796-3..... B55	4733..... B51
3546-3..... B49	3704-2..... B53	3746-2..... B55	3796-4..... B55	4733-8..... B51
3546DC..... B46	3704-3..... B53	3746-3..... B55	3796-5..... B55	4734..... B51
3548..... B45	3705-1..... B53	3746-4..... B55	3802RAC..... B24	4734-8..... B51
3548-3..... B49	3705-2..... B53	3746-5..... B55	3803RAC..... B24	4741..... B52
3548DC..... B46	3705-3..... B53	3746-6..... B55	3804RAC..... B24	4742..... B52
3550..... B45	3706-1..... B53	3747-0..... B55	3805RAC..... B24	4743..... B52
3550-3..... B49	3706-2..... B53	3747-1..... B55	3806RAC..... B24	4744..... B52
3550DC..... B46	3722-0..... B54	3747-2..... B55	3808RAC..... B24	4745..... B52
3552..... B45	3722-1..... B54	3747-3..... B55	4000W..... E14	4746..... B52
3552-3..... B49	3722-2..... B54	3747-4..... B55	4400WH..... E14	4748..... B52
3552DC..... B46	3722-3..... B54	3747-5..... B55	4440W..... E14	4751..... B52



INDEX (Catalog Number)

4752..... B52	5036-0..... D15	5146-0..... D11	5189-5..... D22	5322-0..... D4
4753..... B52	5043-0..... D15	5146-1..... D11	5189-6..... D22	5323-0..... D4
4754..... B52	5045-0..... D15	5146-5..... D11	5189-7..... D22	5324-0..... D4
4799-1..... B77	5070W..... E14	5148-0..... D16	5193-0..... D22	5324-1..... D4
4799-3..... B77	5093-0..... D17	5148-5..... D16	5193-1..... D22	5324-5..... D4
4801-0..... B58	5095-0..... D11	5152-0..... D12	5193-2..... D22	5330-0..... D4
4801-1..... B58	5101-0..... D12	5153-0..... D12	5193-5..... D22	5331-0..... D4
4801-2..... B58	5101-1..... D12	5155-0..... D11	5193-6..... D22	5332-0..... D4
4801-3..... B58	5101-2..... D12	5155-1..... D11	5193-7..... D22	5333-0..... D6
4801-4..... B58	5101-5..... D12	5155-5..... D11	5197-0..... D22	5334-0..... D6
4801-5..... B58	5101-6..... D12	5155-6..... D11	5197-1..... D22	5335-0..... D6
4802-4..... B58	5101-7..... D12	5157-0..... D16	5197-2..... D22	5337-0..... D6
4802-5..... B58	5102-0..... D12	5166-0WRTR..... D21	5197-5..... D22	5337-1..... D6
4802-8..... B58	5103-0..... D11	5166-5WRTR..... D21	5197-6..... D22	5337-5..... D6
4802-9..... B58	5103-1..... D11	5167-0..... D21	5197-7..... D22	5338-0..... D6
4803-2..... B58	5103-2..... D11	5173-0..... D19	5201-0..... D21	5340-0..... D6
4803-3..... B58	5103-5..... D11	5173-1..... D19	5269-0..... D29	5341-0..... D6
4803-4..... B58	5103-6..... D11	5173-2..... D19	5269-1..... D29	5342-0..... D6
4803-5..... B58	5103-7..... D11	5173-5..... D19	5269-10..... D29	5343-0..... D6
4803-8..... B58	5121-0..... D21	5173-6..... D19	5269-2..... D29	5345-0..... D6
4803-9..... B58	5121-1..... D21	5173-7..... D19	5269-5..... D29	5346-0..... D6
4804-0..... B58	5121-2..... D21	5174-0..... D19	5269-6..... D29	5348-0..... D6
4804-1..... B58	5121-5..... D21	5175-0..... D19	5269-7..... D29	5361-0..... D8
4804-2..... B58	5122-0..... D20	5175-1..... D19	5269-9..... D29	5361-1..... D8
4804-3..... B58	5123-0..... D20	5175-2..... D19	5270-0..... D29	5361-2..... D8
4804-4..... B58	5123-1..... D20	5175-5..... D19	5270-1..... D29	5361-5..... D8
4804-5..... B58	5123-2..... D20	5177-0..... D19	5270-5..... D29	5361-6..... D8
4899-9..... B77	5124-0..... D21	5180-0..... D12	5270-9..... D29	5361-7..... D8
5000W..... E15	5124-5..... D21	5180-1..... D12	5271-0..... D29	5363-0..... D8
5017-0..... D30	5125-0..... D21	5180-2..... D12	5302-0..... D30	5372-0..... D8
5019-0..... D30	5126-0..... D21	5180-5..... D12	5320-0..... D4	5374-0..... D19
5020-0..... D30	5127-0..... D20	5180-6..... D12	5320-1..... D4	5374-1..... D19
5026-0..... D10	5127-1..... D20	5180-7..... D12	5320-2..... D4	5374-2..... D19
5027-0..... D10	5127-2..... D20	5186-0..... D22	5320-5..... D4	5385-0..... D4
5028-0..... D10	5128-0..... D21	5186-1..... D22	5320-6..... D4	5386-0..... D4
5028-5..... D10	5129-0..... D20	5186-2..... D22	5320-7..... D4	5387-0..... D4
5028-6..... D10	5129-1..... D20	5186-5..... D22	5320-9..... D4	5388-0..... D6
5029-0..... D10	5129-2..... D20	5186-6..... D22	5321-0..... D4	5389-0..... D6
5030-0..... D10	5137-0..... D21	5186-7..... D22	5321-1..... D4	5390-0..... D7
5031-0..... D10	5141-0..... D21	5189-0..... D22	5321-2..... D4	5399-0..... D5
5033-0..... D15	5141-5..... D21	5189-1..... D22	5321-5..... D4	5400-0..... D5
5034-0..... D15	5145-0..... D16	5189-2..... D22	5321-6..... D4	5400-5..... D5



# INDEX

## INDEX (Catalog Number)

5403-0.....	D5	5639-5.....	D29	6230.....	A104	6314.....	A112	8197.....	A11
5405-0.....	D5	5639-6.....	D29	6233.....	A103	6315.....	A112	8206RAC.....	A36
5406-0.....	D5	5639-7.....	D29	6234.....	A102	6500BR-5.....	A106	8208.....	A11
5407-0.....	D7	5652-1.....	A51	6235.....	A104	6500NI-5.....	A106	8211.....	A20
5412-0.....	D5	5652-1.....	D30	6237.....	A111	6RF151SR.....	A106	8213.....	A17
5413-0.....	D5	5653-1.....	A51	6239BK.....	A106	7120.....	A92	8218.....	A17
5414-0.....	D5	5653-1.....	D30	6239BP.....	A106	7120-1.....	A92	8232HWP.....	A14
5415-0.....	D5	5654-1.....	A51	6239NI.....	A106	7120VB.....	A92	8233.....	A13
5500W.....	E15	5654-1.....	D30	6239SS.....	A106	7120VB.....	A94	8235.....	A14
5511.....	A102	5694-0.....	D28	6244.....	A102	7122RAC.....	A90	8240.....	A20
5550W.....	E15	5695-0.....	D28	6245.....	A103	7220RAC.....	A90	8241.....	A18
5555W.....	E15	5712-5WRTR.....	D12	6249.....	A104	7232RAC.....	A90	8257.....	A31
5574.....	A102	5792-0.....	D25	6250.....	A110	7302RAC.....	A87	8257SP.....	A31
5606-0.....	D23	5818-5.....	D27	6255.....	A107	7307.....	A92	8265.....	A31
5606-1.....	D23	5818-6.....	D27	6256.....	A108	7308RAC.....	A89	8265SP.....	A31
5606-2.....	D23	5820-8.....	D25	6257.....	A107	7318RAC.....	A89	8292.....	A43
5606-5.....	D23	5829-5.....	D27	6261.....	A107	7322-OW.....	A93	8293.....	A43
5606-6.....	D23	5829-6.....	D27	6262.....	A108	7322RAC.....	A93	8325.....	A48
5606-7.....	D23	5839-5WRTR.....	D18	6263.....	A107	7488RAC.....	A90	8326.....	A49
5611-0.....	D23	5839-6WRTR.....	D18	6268.....	A103	7645RAC.....	A88	8355.....	A60
5612-0.....	D23	5839-7WRTR.....	D18	6269.....	A109	7646RAC.....	A88	8500.....	A55
5613-0.....	D23	5841-5.....	D27	6280.....	A104	7717RAC.....	A89	8504.....	A55
5613-1.....	D23	5841-6.....	D27	6284.....	A104	7820RAC.....	A87	8524.....	A57
5613-2.....	D23	5874-5S.....	D18	6285.....	A104	7823RAC.....	A91	8590.....	A56
5620-0.....	D26	5874-6S.....	D18	6287.....	A104	7824RAC.....	A91	8601.....	A60
5620-5.....	D26	5876-5.....	D27	6288.....	A110	7825.....	A92	8650.....	A52
5621-0.....	D26	5876-6.....	D27	6289.....	A110	7826RAC.....	A92	8660.....	A52
5621-5.....	D26	5876-7.....	D27	6291.....	A110	7835RAC.....	A88	8663.....	A52
5621-6.....	D26	5882-5.....	D24	6292.....	A110	7847RAC.....	A88	8670.....	A53
5621-7.....	D26	5882-6.....	D24	6293.....	A110	7848RAC.....	A88	8695.....	A67
5624-0.....	D26	5882-7.....	D24	6294.....	A110	7873RAC.....	A87	8703-5.....	A50
5624-1.....	D26	5883-5.....	D27	6295.....	A110	7887RAC.....	A90	8722-5.....	A51
5624-2.....	D26	5883-6.....	D27	6296.....	A110	7907.....	A92	8724-5.....	A51
5624-5.....	D26	5884-8.....	D28	6297.....	A110	7919RAC.....	A91	8731-5.....	A51
5624-6.....	D26	5893-8.....	D28	6298.....	A104	7922RAC.....	A90	8752.....	A21
5625-0.....	D26	6208.....	A111	6299.....	A103	8125.....	A46	8752-5.....	A21
5625-1.....	D26	6209.....	A111	6300.....	A112	8189.....	A10	8753.....	A21
5625-2.....	D26	6223.....	A105	6301.....	A112	8190.....	A9	8753-5.....	A21
5625-5.....	D26	6224.....	A105	6310.....	A112	8191.....	A9	8756.....	A26
5625-6.....	D26	6225.....	A111	6311.....	A112	8192.....	A9	8767.....	A26
5625-7.....	D26	6226.....	A111	6312.....	A112	8193.....	A11	8768.....	A21
5638-5.....	D29	6228.....	A111	6313.....	A112	8196.....	A11	8769.....	A22





INDEX (Catalog Number)

8771.....A21	A66W.....E19	COLB075.....C19	CSC300.....C21	EALL075.....C17
8772.....A21	A72W.....E19	COLB100.....C19	CSC350.....C21	EALL100.....C17
8773.....A21	AD10W.....E15	COLB125.....C19	CSC400.....C21	EALL125.....C17
8775.....A21	AD20W.....E15	COLB150.....C19	CT050.....C20	EALL150.....C17
8777-0.....A22	AD40W.....E15	COLB200.....C19	CT075.....C20	EALL200.....C17
8778.....A22	AD42W.....E15	COLL050.....C20	CT100.....C20	EALL250.....C17
8779.....A22	AD50W.....E15	COLL075.....C20	CT125.....C20	EALL300.....C17
8833-5.....A32	AD60W.....E15	COLL100.....C20	CT150.....C20	EALL350.....C17
8781.....A22	AD70W.....E15	COLL125.....C20	CT200.....C20	EALL400.....C17
8973-1.....A78	AD90W.....E15	COLL150.....C20	DA28.....E21	EALR050.....C18
8975-1.....A78	AD93W.....E15	COLL200.....C20	DF30.....E21	EALR075.....C18
8977.....A76	CC0100.....C19	COLR050.....C20	DG28.....E21	EALR100.....C18
8977-5.....A76	CC0125.....C19	COLR075.....C20	DG30.....E21	EALR125.....C18
8983-1.....A78	CC050.....C19	COLR100.....C20	DOC320G.....C9	EALR150.....C18
8996-1.....A78	CC075.....C19	COLR125.....C20	DOC320W.....C9	EALR200.....C18
8998-1.....A78	CC150.....C19	COLR150.....C20	DOC320Z.....C9	EALR250.....C18
9001.....A70	CC200.....C19	COLR200.....C20	DOCKG320G.....C9	EALR300.....C18
9002.....A70	CLB050.....C19	COT050.....C20	DOCKG320W.....C9	EALR350.....C18
9004R.....A70	CLB075.....C19	COT075.....C20	DOCKG320Z.....C9	EALR400.....C18
9006R.....A70	CLB100.....C19	COT100.....C20	DS-1LB.....B90	EAT050.....C18
9008.....A76	CLB125.....C19	COT125.....C20	DS-5LB.....B90	EAT075.....C18
9009.....A73	CLB150.....C19	COT150.....C20	EAC050.....C17	EAT100.....C18
9010.....A73	CLB200.....C19	COT200.....C20	EAC075.....C17	EAT125.....C18
9015R.....A70	CLL050.....C20	CRG050.....C21	EAC100.....C17	EAT150.....C18
9016R.....A71	CLL075.....C20	CRG075.....C21	EAC125.....C17	EAT200.....C18
9017.....A76	CLL100.....C20	CRG100.....C21	EAC150.....C17	EAT250.....C18
9018.....A72	CLL125.....C20	CRG125.....C21	EAC200.....C17	EAT300.....C18
9020R.....A71	CLL150.....C20	CRG150.....C21	EAC250.....C17	EAT350.....C18
9024R.....A71	CLL200.....C20	CRG200.....C21	EAC300.....C17	EAT400.....C18
A00W.....E19	CLR050.....C20	CRG250.....C21	EAC350.....C17	EC050.....C17
A1000W.....E18	CLR075.....C20	CRG300.....C21	EAC400.....C17	EC075.....C17
A10W.....E19	CLR100.....C20	CRG350.....C21	EALB050.....C17	EC100.....C17
A12W.....E19	CLR125.....C20	CRG400.....C21	EALB075.....C17	EC125.....C17
A2000W.....E18	CLR150.....C20	CS1RAC.....A73	EALB100.....C17	EC150.....C17
A20W.....E19	CLR200.....C20	CS2RAC.....A73	EALB125.....C17	EC200.....C17
A3000W.....E18	COC050.....C19	CSC050.....C21	EALB150.....C17	EC250.....C17
A30W.....E19	COC075.....C19	CSC075.....C21	EALB200.....C17	EC300.....C17
A4000W.....E18	COC100.....C19	CSC100.....C21	EALB250.....C17	EC350.....C17
A40W.....E19	COC125.....C19	CSC125.....C21	EALB300.....C17	EC400.....C17
A50W.....E19	COC150.....C19	CSC150.....C21	EALB350.....C17	ELB050.....C17
A52W.....E19	COC200.....C19	CSC200.....C21	EALB400.....C17	ELB075.....C17
A54W.....E19	COLB050.....C19	CSC250.....C21	EALL050.....C17	ELB100.....C17



INDEX (Catalog Number)

ELB125..... C17	KS1RAC..... A73	LTS100S..... D23	MM2420G..... C5	MX7200..... C12
ELB150..... C17	LB050..... C15	LTS100WH..... D23	MM410C..... C4	MX7280S..... C13
ELB200..... C17	LB075..... C15	LTS100Z..... D23	MM410CA..... C4	PBC100GY..... D33
ELB250..... C17	LB100..... C15	MCPCS4..... B73	MM410CW..... C4	PBC100WH..... D33
ELB300..... C17	LB125..... C15	MCPCS4J..... B73	MM410G..... C4	PBC200GY..... D33
ELB350..... C17	LB150..... C15	MCPCS6..... B73	MM410W..... C4	PBC200WH..... D33
ELB400..... C17	LB200..... C15	MCPCS6J..... B73	MM420C..... C4	PBC300GY..... D33
ELL050..... C17	LB250..... C15	MCPCS8..... B73	MM420G..... C4	PBC300WH..... D33
ELL075..... C17	LB300..... C15	MD1050S..... D18	MM420W..... C4	PCP47550GY..... D35
ELL100..... C17	LB350..... C15	MD1250S..... D18	MM510C..... C4	PCP47550WH..... D35
ELL125..... C17	LB400..... C15	MD410C..... C10	MM510G..... C4	PDB77550GY..... D32
ELL150..... C17	LHS100S..... D23	MD450G..... C10	MM710C..... C4	PDB77550WH..... D32
ELL200..... C17	LHS100W..... D23	MD5802-0..... C11	MM710G..... C4	PE100..... D29
ELL250..... C17	LHS100Z..... D23	MD5881-0..... C11	MM720C..... C4	PLTS100GY..... D34
ELL300..... C17	LL0100..... C15	MG1050S..... D18	MM720G..... C4	PLTS100WH..... D34
ELL350..... C17	LL050..... C15	MG1250S..... D18	MM7420C..... C5	PLV330GY..... D34
ELL400..... C17	LL075..... C15	MG420CS..... C10	MM7420G..... C5	PLV330WH..... D34
ELR050..... C18	LL1200S..... D24	MG500GS..... C10	MM7440C..... C5	PRB57550GY..... D32
ELR075..... C18	LL1200W..... D24	MG510CS..... C10	MM7440G..... C5	PRB57550WH..... D32
ELR100..... C18	LL1200Z..... D24	MG5802-0..... C11	MR420CG..... C8	PRBA400G..... C14
ELR125..... C18	LL125..... C15	MG5881-0..... C11	MR420CW..... C8	PRCF57550BZ..... D31
ELR150..... C18	LL150..... C15	MK1250S..... D18	MR420CZ..... C8	PRCF57550GY..... D31
ELR200..... C18	LL200..... C15	MK1250WH..... D18	MX1050S..... D9	PRCF57550WH..... D31
ELR250..... C18	LL250..... C15	MKG420CS..... C10	MX1050W..... D9	PSB37550GY..... D32
ELR300..... C18	LL300..... C15	MKG4280SS..... C11	MX1050Z..... D9	PSB37550WH..... D32
ELR350..... C18	LL350..... C15	ML2450G..... C7	MX1250S..... D9	PTC100GY..... D33
ELR400..... C18	LL400..... C15	ML2500G..... C7	MX1250W..... D9	PTC100WH..... D33
ET050..... C18	LL800S..... D24	ML450G..... C7	MX1250Z..... D9	PTC200GY..... D33
ET075..... C18	LL800W..... D24	ML450W..... C7	MX1550S..... D9	PTC521GY..... D33
ET100..... C18	LL800Z..... D24	ML450Z..... C7	MX2050S..... D13	PTC521WH..... D33
ET125..... C18	LPB3325..... E4	ML500G..... C7	MX2050WH..... D13	RAC5500KIT..... A104
ET150..... C18	LPB3400..... E4	ML500W..... C7	MX2050Z..... D13	RC050..... C15
ET200..... C18	LR0100..... C16	ML500Z..... C7	MX2150S..... D13	RC075..... C15
ET250..... C18	LR050..... C16	MM110C..... C6	MX3050S..... D17	RC100..... C15
ET300..... C18	LR075..... C16	MM110G..... C6	MX3200..... C12	RC125..... C15
ET350..... C18	LR125..... C16	MM110W..... C6	MX3300..... C12	RC150..... C15
ET400..... C18	LR150..... C16	MM1410C..... C6	MX4280S..... C13	RC200..... C15
GK240..... D35	LR200..... C16	MM1410G..... C6	MX4280WH..... C13	RC250..... C15
GK300..... C14	LR250..... C16	MM1410W..... C6	MX4280Z..... C13	RC300..... C15
GS100..... C14	LR300..... C16	MM2410C..... C5	MX4380S..... C13	RC350..... C15
GS400..... C14	LR350..... C16	MM2410G..... C5	MX5280S..... C13	RC400..... C15
HB75W..... D35	LR400..... C16	MM2420C..... C5	MX6200..... C12	RLB050..... C15

INDEX (Catalog Number)

RLB075..... C15	RLT125..... C16	T050..... C16	WJW-D..... E13	WRTI-DR..... E12
RLB100..... C15	RLT150..... C16	T075..... C16	WJW-R..... E13	WRTI-R..... E12
RLB125..... C15	RLT200..... C16	T100..... C16	WJW-T..... E13	WRTI-RR..... E12
RLB150..... C15	RLT250..... C16	T125..... C16	WJW-TT..... E13	WRTI-RRR..... E12
RLB200..... C15	RLT300..... C16	T150..... C16	WMI-B..... E11	WRTI-RRRR..... E12
RLB250..... C15	RLT350..... C16	T200..... C16	WMI-R..... E11	WRTI-T..... E12
RLB300..... C15	RLT400..... C16	T250..... C16	WMI-T..... E11	WRTI-TD..... E12
RLB350..... C15	RP6236BP..... A111	T300..... C16	WMTI-B..... E12	WRTI-TR..... E12
RLB400..... C15	RP6239BP..... A106	T350..... C16	WMTI-D..... E12	WRTI-TT..... E12
RLC050..... C15	RP6500BR..... A106	T400..... C16	WMTI-R..... E12	WRTI-TTT..... E12
RLC075..... C15	RP6500BR..... A111	UCB0100..... C22	WMTI-SR2..... E12	WRTI-TTTT..... E12
RLC100..... C15	RP6500NI..... A106	UCB050..... C22	WMTI-T..... E12	WRTW-5R..... E10
RLC125..... C15	RP6500NI..... A111	UCB075..... C22	WMTW-B..... E10	WRTW-5T..... E10
RLC150..... C15	RSLB050..... C16	WE-T..... E6	WMTW-D..... E10	WRTW-6R..... E10
RLC200..... C15	RSLB075..... C16	WG-T..... E6	WMTW-R..... E10	WRTW-6T..... E10
RLC250..... C15	RSLB100..... C16	WI-B..... E5	WMTW-T..... E10	WRTW-B..... E10
RLC300..... C15	RSLB125..... C16	WI-BB..... E5	WMW-B..... E8	WRTW-BB..... E10
RLC350..... C15	RSLB150..... C16	WI-D..... E5	WMW-D..... E8	WRTW-D..... E10
RLC400..... C15	RSLB200..... C16	WI-DD..... E5	WMW-R..... E8	WRTW-DD..... E10
RLL050..... C15	SBRNRRAC..... A72	WI-R..... E5	WMW-SR2..... E8	WRTW-R..... E10
RLL075..... C15	SC080803NKSTRC..... A40	WI-RR..... E5	WMW-T..... E8	WRTW-RR..... E10
RLL100..... C15	SC080803STRC..... A40	WI-RRR..... E5	WO-T..... E6	WRTW-RRR..... E10
RLL125..... C15	SC082006STRC..... A39	WI-T..... E5	WRI2-2..... E11	WRTW-RRRR..... E10
RLL150..... C15	SC121204NKSTRC..... A40	WI-TD..... E5	WRI-B..... E11	WRTW-T..... E10
RLL200..... C15	SC121204STRC..... A40	WI-TR..... E5	WRI-BB..... E11	WRTW-TD..... E10
RLL250..... C15	SCF0808RC..... A40	WI-TT..... E5	WRI-D..... E11	WRTW-TR..... E10
RLL300..... C15	SCF1212RC..... A40	WI-TTT..... E5	WRI-DD..... E11	WRTW-TT..... E10
RLL350..... C15	SG100S..... C14	WJBN-DX..... E13	WRI-R..... E11	WRTW-TTT..... E10
RLL400..... C15	SL101B..... D25	WJBN-RX..... E13	WRI-RR..... E11	WRTW-TTTT..... E10
RLR050..... C16	SP2RAC..... A72	WJBN-TTX..... E13	WRI-RRR..... E11	WRW2-2..... E9
RLR075..... C16	SPLD2Z..... D25	WJBN-TX..... E13	WRI-T..... E11	WRW-5R..... E8
RLR100..... C16	SPLD500Z..... D25	WJI-D..... E13	WRI-TD..... E11	WRW-5T..... E8
RLR125..... C16	SSC050..... C21	WJI-R..... E13	WRI-TR..... E11	WRW-6R..... E8
RLR150..... C16	SSC075..... C21	WJI-T..... E13	WRI-TT..... E11	WRW-6T..... E8
RLR200..... C16	SSC100..... C21	WJI-TT..... E13	WRI-TTT..... E11	WRW-B..... E8
RLR250..... C16	SSC125..... C21	WJTI-D..... E13	WRTI2-2..... E12	WRW-BB..... E9
RLR300..... C16	SSC150..... C21	WJTI-T..... E13	WRTI-5T..... E12	WRW-BBB..... E9
RLR350..... C16	SSC200..... C21	WJTI-TT..... E13	WRTI-B..... E12	WRW-BBBB..... E9
RLR400..... C16	SSC250..... C21	WJTW-D..... E13	WRTI-BB..... E12	WRW-D..... E8
RLT050..... C16	SSC300..... C21	WJTW-R..... E13	WRTI-BBB..... E12	WRW-DB..... E9
RLT075..... C16	SSC350..... C21	WJTW-T..... E13	WRTI-D..... E12	WRW-DD..... E9
RLT100..... C16	SSC400..... C21	WJTW-TT..... E13	WRTI-DD..... E12	WRW-DDD..... E9



## NOTES

WRW-DR .....E9	WSS-B.....E7	WTI-BB.....E6	WTW-T .....E4	WW-RRRR .....E3
WRW-R.....E8	WSS-BB .....E7	WTI-D .....E6	WTW-TD .....E4	WW-SR1.....E3
WRW-RR .....E8	WSS-C.....E7	WTI-DD.....E6	WTW-TR .....E4	WW-T.....E3
WRW-RRR .....E8	WSS-D.....E7	WTI-R .....E6	WTW-TT.....E4	WW-TD .....E3
WRW-RRRR .....E8	WSS-DD .....E7	WTI-RR .....E6	WTW-TTT .....E4	WW-TR .....E3
WRW-SR2.....E8	WSS-R.....E7	WTI-RRR .....E6	WW1-2 .....E3	WW-TT.....E3
WRW-T .....E8	WSS-RR .....E7	WTI-T.....E6	WW2-2 .....E3	WW-TTT .....E3
WRW-TB.....E9	WSS-RRR .....E7	WTI-TD .....E6	WW-B .....E3	WW-TTTT .....E3
WRW-TD .....E9	WSS-RRRR.....E7	WTI-TR .....E6	WW-BB.....E3	ZTC100 .....E20
WRW-TR .....E9	WSS-SR1.....E7	WTI-TT.....E6	WW-BBB .....E3	ZTC200 .....E20
WRW-TT .....E8	WSS-SR2.....E7	WTI-TTT.....E6	WW-BBBB .....E3	ZTC300 .....E20
WRW-TTD .....E9	WSS-T .....E7	WTW-B .....E4	WW-D .....E3	
WRW-TTR .....E9	WSS-TD .....E7	WTW-BB .....E4	WW-DD.....E3	
WRW-TTT.....E8	WSS-TR.....E7	WTW-D .....E4	WW-DDD .....E3	
WRW-TTTD .....E9	WSS-TT.....E7	WTW-DD .....E4	WW-DR.....E3	
WRW-TTTT .....E8	WSS-TTT.....E7	WTW-R .....E4	WW-R .....E3	
WSS1-2 .....E7	WSS-TTTT .....E7	WTW-RR .....E4	WW-RR .....E3	
WSS2-2 .....E7	WTI-B .....E6	WTW-RRR .....E4	WW-RRR .....E3	

